

NEWS



ACCESSORIES FOR SMALL CABINETS

pag. 96/105

• RAIN PROTECTIONS



• WALL FIXING



• LOCKS

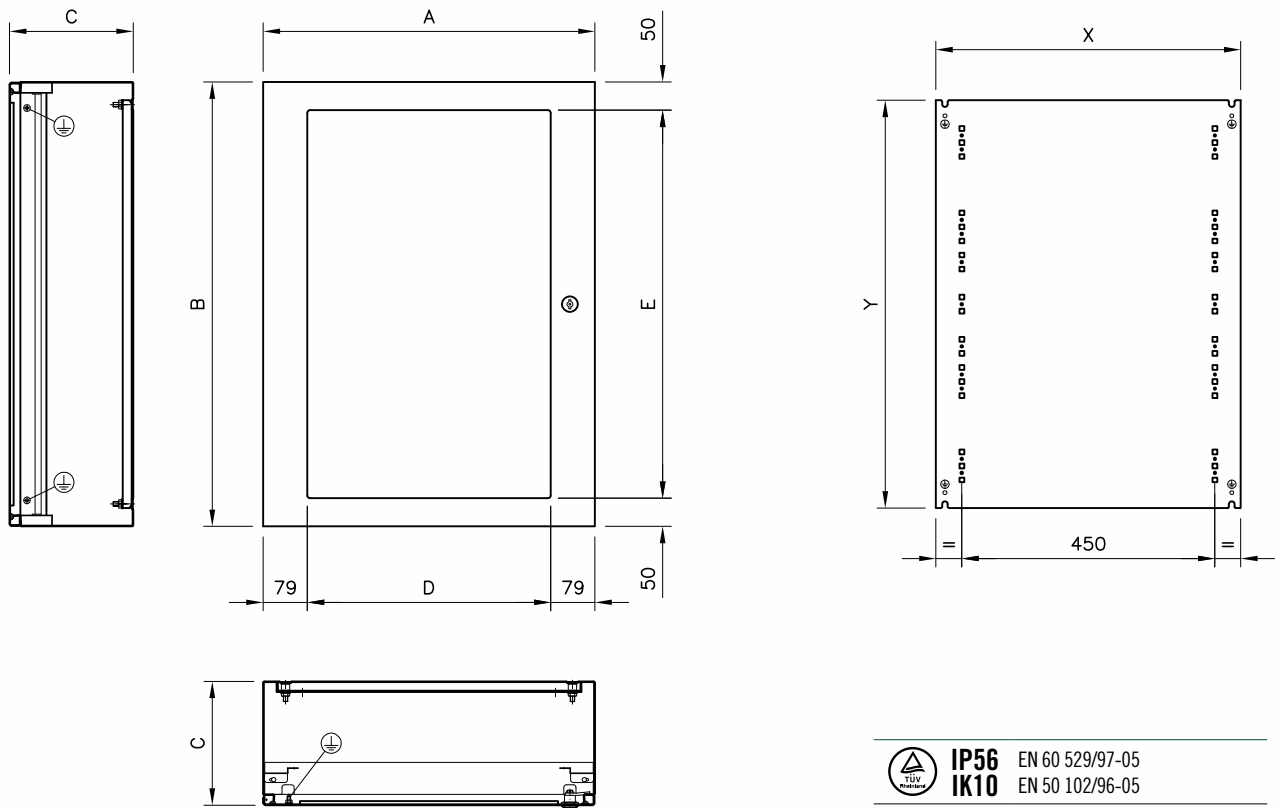


• PANELS



SMALL CABINETS SERIES QM

- The new QM series is designed to accommodate modular equipment. Made of En 1.4301 (AISI 304) s/s finely satin-finished and protected on 1 side.
Special attention was paid, in the design stage, to details permitting to streamline and speed up wiring, without disregarding aesthetic, which has always distinguished our work.
- The enclosure is obtained from a sheet suitably shaped on the front to achieve the “seal labyrinth between enclosure and door.
- On the back are placed some threaded blind inserts M6 for wall fixing. Inside there are threaded pins M8, s/s for plate fixing. The door, pressed, features a shatter-proof 3+3 glass to meet the requirements in terms of safety and weatherability.
- Single central lock, twin-comb type of the standardized type 3 for L.V. Chromium-plated with attachment for 3-point closure starting from model QM096.
- Inner hinges, s/s, opening 120° according to CEI EN 60204-1 recommendations .
- Seal of foamed polyurethane.
- Inner plate of galvanized sheet sendzimir pre-drilled for the assembling of DIN guides. The assembling of the guides and the relevant modular switches can be done in factory to then easily insert the frame, pre-assembled, into the small cabinet. The modular panels are secured to two side uprights pre-drilled fixed to the enclosure.
- Fairlead plate not envisaged.
- Prearranged for earthing according to the rules in force.
- Protection degree : IP66 with closed door, IP20 with open door.

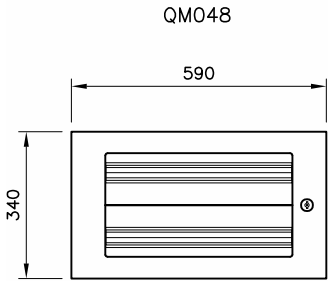


TÜV Rheinland **IP56 IK10** EN 60 529/97-05 EN 50 102/96-05
CE EN 60204-1 89/392/EEC

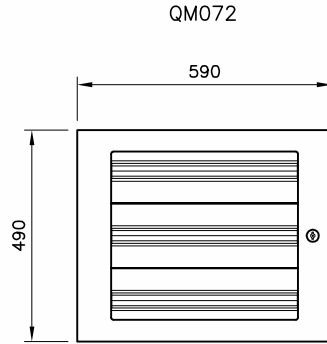
ITEM.	SMALL CABINETS					THICKNESS		INNER PLATE	
	A	B	C	D	E	CONTAINER	DOOR	X	Y
QM048	590	340	220	433	240	12/10	15/10	542	275
QM072	590	490	220	433	390	12/10	15/10	542	425
QM096	590	640	220	433	540	12/10	15/10	542	575
QM120	590	790	220	433	690	12/10	15/10	542	725
QM144	590	940	220	433	840	12/10	15/10	542	875
QM168	590	1090	220	433	990	12/10	15/10	542	1025



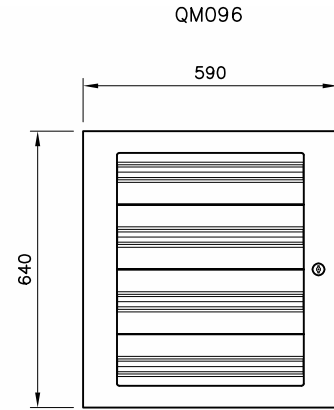
EQUIPMENT FOR MODULAR SWITCHES



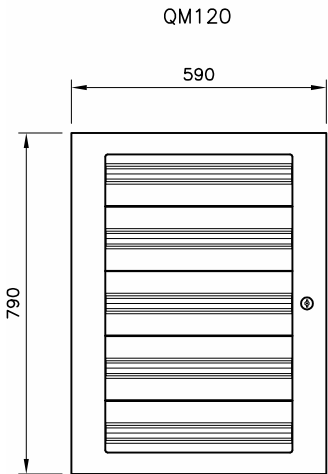
QM048
 N. 48 MODULES
 N. 2 PANNEAUX H=150



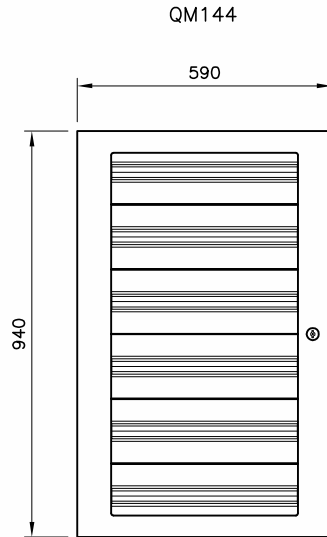
QM072
 N. 72 MODULES
 N. 3 PANNEAUX H=150



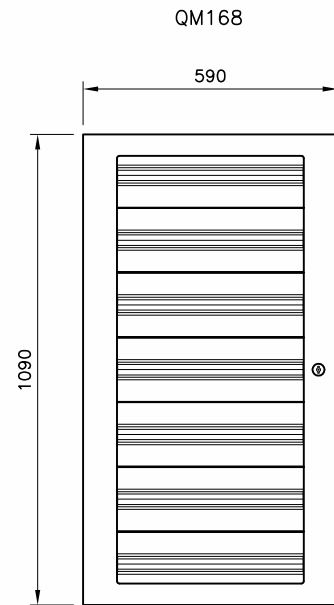
QM096
 N. 76 MODULES (N. 3 PANNEAUX H=200)
 N. 96 MODULES (N. 4 PANNEAUX H=150)



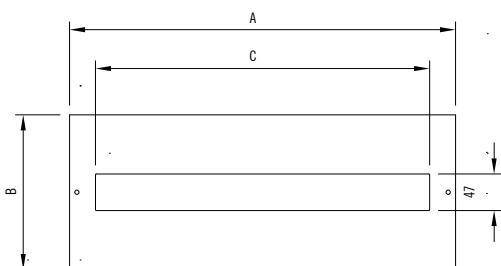
QM120
 N. 96 MODULES
 (N. 1 PANNEAU H=150 + 3 PANNEAUX H=200)
 N. 120 MODULES
 (N. 5 PANNEAUX H=150)



QM144
 N. 120 MODULES
 (N. 2 PANNEAUX H=150 + 3 PANNEAUX H=200)
 N. 144 MODULES
 (N. 6 PANNEAUX H=150)



QM168
 N. 144 MODULES
 (N. 3 PANNEAUX H=150 + 3 PANNEAUX H=200)
 N. 168 MODULES
 (N. 7 PANNEAUX H=150)



PANELS

Plates made of Aisi 304 s/s finely satin-finished fit for protecting the equipment inside the small cabinet, so assuring operators' complete safety.

Available either blind or pre-drilled, height H.150 and H.200, to accommodate 24 modules each plate .

Blind plates can be drilled to drawing, on request.

The gap between the plates and the glazed door is 50 mm.

PANEL SIZES				
ITEM.	A	B	C	N° OF MODULES EACH PANEL
PQM150F	499	149	432	24
PQM150C	499	149		CIECO - BLIND
PQM200F	499	199	432	24
PQM200C	499	199		CIECO - BLIND



DIN BARS

Bars of extruded alluminium sections, complete with fixed rest brackets of s/s.

- DINQM24

accessories for cabinets



OVERDOORS
pag. 103



OUTSIDE DOORS
pag. 99



DIAGRAM HOLDING POCKETS
pag. 102



ADJUSTABLE FEET
pag. 107



RAIN PROTECTIONS
pag. 100



FIXED LECTERNS
pag. 107



ANTI-CLOSING DEVICE
pag. 106



PEDESTALS
pag. 101



REST RODS
pag. 106



SKIRTING BOARDS
pag. 102



WALL FIXING
pag. 104



GAS-OPERATED SPRINGS
pag. 105



LOCKS
pag. 105



GRIP HANDLES
pag. 106



ELECTROCONDUCTIVE GASKETS
pag. 107



INOX INNER PLATE
pag. 101



OUTSIDE DOORS SERIES QC

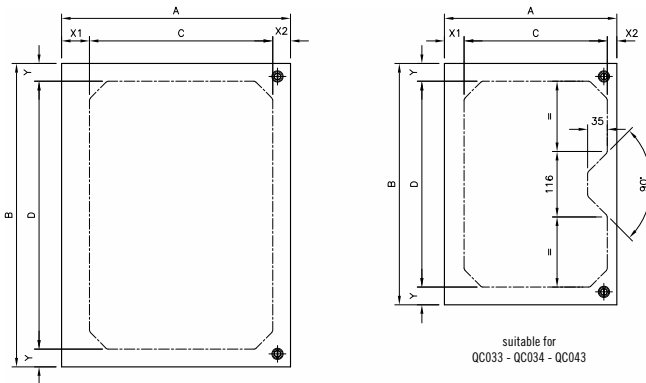
Complete with assembling kit for the fixing of equipment inside the small cabinets, in a protected and locked area, can be installed on all small cabinets of the single door Q series. They are manufactured in EN 1.4301- (AISI 304) s/s, finely satin-finished and protected by PVC adhesive tape, thickness 12/10 and 15/10.

The outside door can be hinged either on the right or left side. The standard supply includes chromium-plated indented locks. Instruments up to a maximum total weight of 12 kg can be set on the outer doors.

The gap between door and outside door is 45 cm.

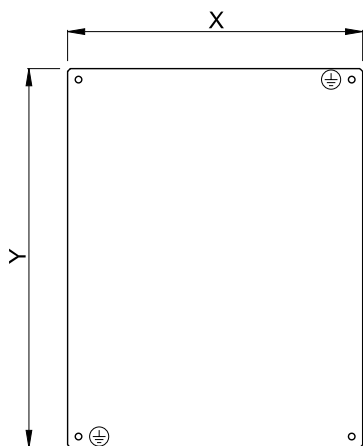
Protection degree IP 20.

Drilling to drawing are possible on demand.



OUTSIDE SIZES			OUTSIDE SIZES					
ITEM.	A	B	C	D	FOR CABINETS	X1	X2	Y
QC033/304	256	238	204	204	QL-QV33	35	17	17
QC034/304	256	388	204	354	QL-QV34	35	17	17
QC036/304	256	538	175	475	QL-QV36	49,5	31,5	31,5
QC043/304	406	238	354	204	QL-QV43	35	17	17
QC044/304	406	388	325	325	QL-QV44	49,5	31,5	31,5
QC046/304	406	538	325	475	QL-QV-QLP-QVP46	49,5	31,5	31,5
QC064/304	556	388	475	325	QL-QV64	49,5	31,5	31,5
QC066/304	556	538	475	475	QL-QV-QLP-QVP66	49,5	31,5	31,5
QC067/304	556	688	475	625	QL-QV67	49,5	31,5	31,5
QC068/304	556	738	475	675	QLP-QVP68	49,5	31,5	31,5
QC069/304	556	838	475	775	QL-QV69	49,5	31,5	31,5
QC077/304	706	688	625	625	QL-QV77	49,5	31,5	31,5
QC710/304	706	938	625	875	QL-QV710	49,5	31,5	31,5
QC612/304	556	1138	450	1075	QLP-QVP612	49,5	56,5	31,5
QC812/304	756	1138	650	1075	QL-QV-QLP-QVP812	49,5	56,5	31,5
QC616/304	552	1513	438	1458	QLP-QVP616	58	56	27,5
QC816/304	752	1513	638	1458	QLP-QVP816	58	56	27,5

NOTE: not usable on the QS – QM series



INNER PLATES S/S

Manufactured in s/s sheet EN 1.4404 (AISI 316L), 2B finishing; they are available for all cabinets series QL/QV and are perfectly interchangeable with the standard plate; they are delivered in assembling kit (replacement at user's charge)

ITEM.	SUITABLE FOR	X	Y
PQ0331	QL-QV33	270	240
PQ0341	QL-QV34	270	390
PQ0361	QL-QV36	270	540
PQ0431	QL-QV43	420	240
PQ0441	QL-QV44	420	390
PQ0461	QL-QV46	420	540
PQ0641	QL-QV64	570	390

ITEM.	SUITABLE FOR	X	Y
PQ0661	QL-QV66	570	540
PQ0671	QL-QV67	570	690
PQ0691	QL-QV69	570	840
PQ0771	QL-QV77	720	690
PQ7101	QL-QV710	720	940
PQ8121	QL-QV812	740	1140
PQ1071	QL-QV107	940	770

NOTE: not usable on the QS – QM series



RAIN PROTECTIONS

Manufactured in X5 Cr Ni 18/10 EN 1.4301 (AISI 304) s/s, fine satin-finished and protected. Recommended when the cabinets are expected to be installed outdoors and weather protection is required. They come in assembling kit.

ITEM.	For small cabinets serie QL/QV/QS
TP933	QL/QV33
TP934	QS/QL/QV34
TP936	QL/QV36
TP944	QL/QV43-44
TP945	QS045
TP946	QL/QV46
TP956	QS056
TP960	QS/QL/QV64-66-67-68-69
TP966	QL66P/QS069

ITEM.	For small cabinets serie QL/QV/QS
TP977	QL/QV77-710
TP980	QL/QV812
TP946P	QLP/QVP46
TP960P	QLP/QVP66-68-612
TP980P	QLP/QVP812
TP9616P	QLP/QVP616
TP9816P	QLP/QVP816
TPQM	SERIE QM



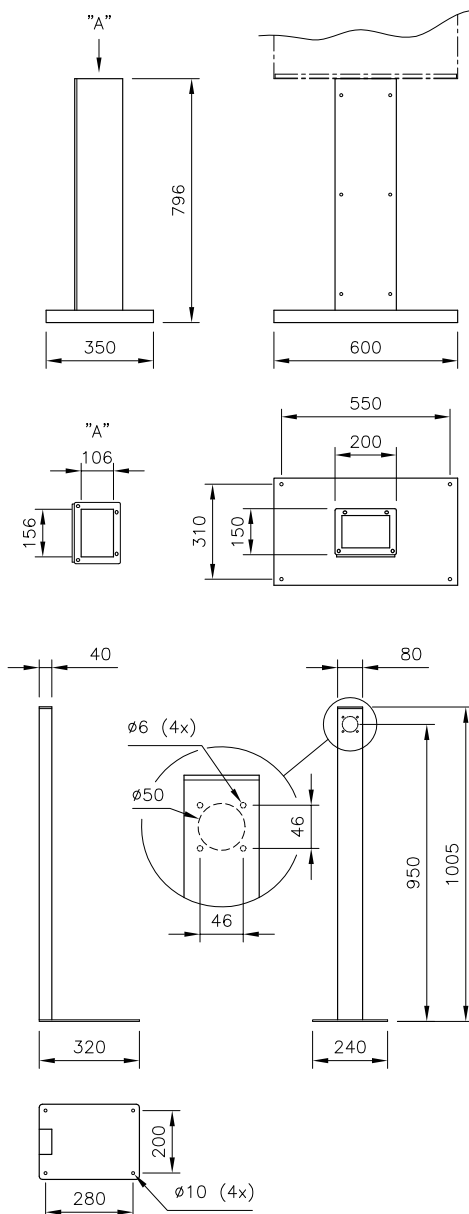
PEDESTAL SERIES PR

Designed for use both as a stand and a cableway, it is manufactured in X5 Cr Ni 18/10 EN 1.4301 (AISI 304) S/S and comes in two versions:

- **PR200:** satin-finishing, suitable for application under cabinets having a minimum depth of 250 mm; it consists of a C-shaped bent column, complete with bolted cover with gasket and with sendzimir inner plate. A sendzimir counterplate, is also supplied to firmly secure the modular cabinets to the top of the column (for cabinets starting from L.600). These counterplates have to be ordered expressly, using the following codes:

- **PPRQ6025** counterplate for cabinets QL/QV64-66-67-69
- **PPRQ7530** counterplate for cabinets QL/QV77-710

NOTE: the inspection side is on a 1.200 side. it can be assembled frontwise or backwise



- **PR100:** is used for pushbutton-boards, connector blocks and cabinets with minimum width 125 mm, it consists of: s/s channel, micropeening, not inspectable and a pre-drilled plate for fixing to the ground.



SKIRTING BOARD

Suitable for application under the cabinets series QLP, they are simple and sturdy, made of X5 Cr Ni 18/10 EN 1.4301 (AISI 304) s/s carefully satin-finished and protected. Pre-arranged with cableways, both side and back (or front) and for application of feet, where necessary; the bottom is open to the ground: on request, they can be delivered with panels for bottom closing that can be used also as cable supports. Protection degree is IP20 with bottom panel in place. Can be delivered either in assembling kit or pre-assembled, and are available in 100 and 200 mm height.

ITEM.	For small cabinets	Height mm	Bottom closing panel
ZA06104	66-68-612-616	H.100	P0604
ZA06204	66-68-612-616	H.200	P0604
ZA08104	812-8616	H.100	P0804
ZA08204	812-816	H.200	P0804
ZA12104	128	H.100	P1204
ZA12204	128	H.200	P.1204
ZA16104	168	H.100	P1604
ZA16204	168	H.200	P1604

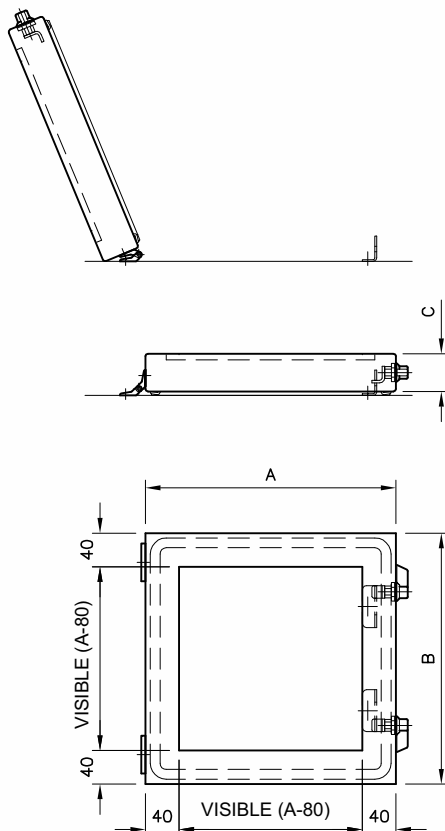
NOTE: not usable for the QS/QM series



DIAGRAM HOLDING POCKET

Delivered in assembling kit, available in 3 models:

- **SG109**: orange ABS, for A4 documents
- **SG108**: AISI 304 s/s, for A4 documents
- **SG110**: AISI 304 s/s for A3 documents



OVERDOORS

Made of X5 CrNi 18/10 EN 1.4301 (AISI 304) s/s, finely satin-finished, with 3+3 layer shatterproof sightglass, they are especially recommended when instrument set on the outside door have to be protected. Complete with wing-nut lock, galvanized, black, with Yale type key and built-in seal, 180° opening. Protection degree IP65.

NOTE: when set on width exceeding the width of the overdoor itself, the max. opening is 90°.

ITEM.	A	B	C
SV33/45	300	300	45
SV34/45	300	450	45
SV36/45	300	600	45
SV43/45	450	300	45
SV44/45	450	450	45
SV46/45	450	600	45
SV64/45	600	450	45
SV66/45	600	600	45
SV67/45	600	750	45
SV68/45	600	800	45
SV69/45	600	900	45
SV612/45	600	1200	45
SV77/45	750	750	45
SV710/45	750	1000	45
SV86/45	800	600	45
SV812/45	800	1200	45
SV106/45	1000	750	45

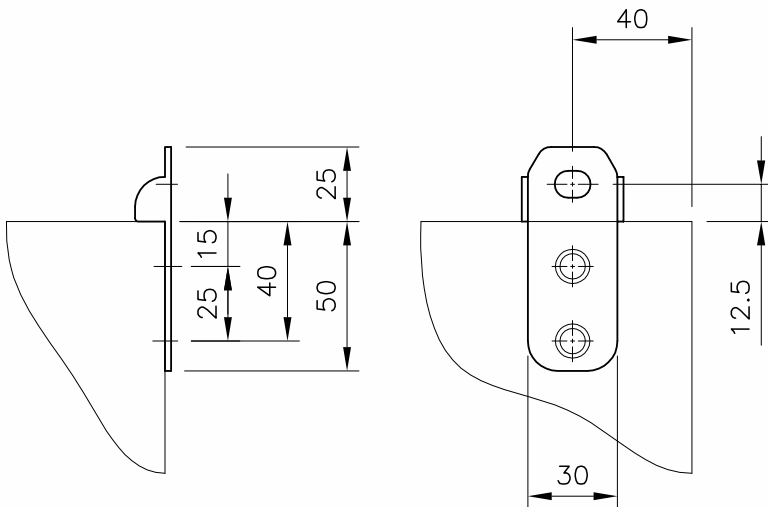
ITEM.	A	B	C
SV33/75	300	300	75
SV34/75	300	450	75
SV36/75	300	600	75
SV43/75	450	300	75
SV44/75	450	450	75
SV46/75	450	600	75
SV64/75	600	450	75
SV66/75	600	600	75
SV67/75	600	750	75
SV68/75	600	800	75
SV69/75	600	900	75
SV612/75	600	1200	75
SV77/75	750	750	75
SV710/75	750	1000	75
SV86/75	800	600	75
SV812/75	800	1200	75
SV106/75	1000	750	75



WALL FIXING LUGS

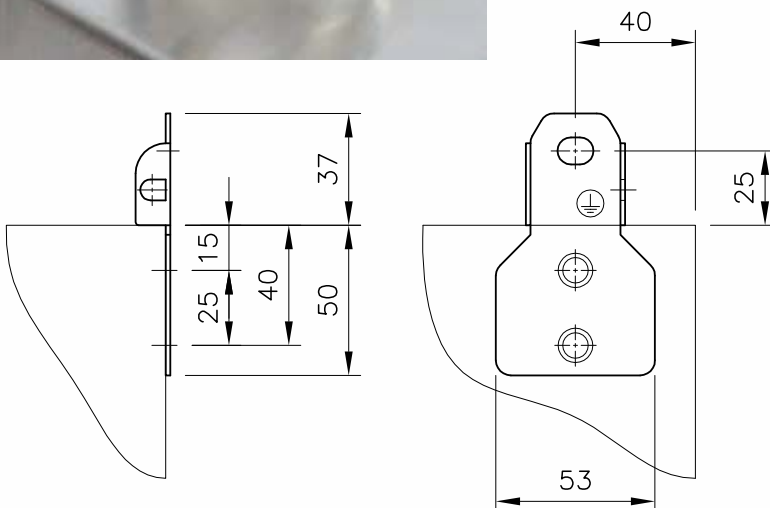
Made of AISI 316L s/s, they are easily set to the back of the cabinets serie "Q" and "M", or can be used for wall fixing of the top of CC cabinets for greater stability. Water- and dust-tightness keep unchanged thanks to the special seals. Each kit includes the assembling instructions, screws and gaskets.

- **SP025** – kit of 4 pcs



Made of Aisi 316L s/s, same features as the SP025 fixing, they are equipped with a wider rest base that permits to spot-weld them to the enclosure without using setscrews. Prearranged for the fixing of an earthing cable.

- **SP035** – kit of 4 pcs





GAS-OPERATED SPRINGS

The gas-operated springs are designed to open the doors upwards (seagull-wings); they facilitate opening and feature a braking device on top of the wing, reaching a balanced position when the door is open. Different capacities are available to meet specific requirements.

When ordering the springs, the weight and position of instruments and/or equipment, if any, should be mentioned so that the spring best suiting your requirements can be determined.

- **SA901** - pair of gas-controlled spring



RATCHET LOCK

Various optional locks are available, all perfectly interchangeable with the standard ones, either with low-voltage or Yale key.

ITEM.	TYPE	OUTSIDE	MATERIAL INSERT	TONGUE
SG215S(**)	box lock - twin-comb insert	S/S	S/S	galvanized
SG221I	"T" handle key	black polyamides	S/S	S/S
SG226I	wing nut lock key	black polyamides	S/S	S/S
SG227I	"L" handle key	black polyamides	S/S	S/S

NOTE:

(*) Key EK333 - Yale type - is supplied with the lock. Different key coding can be provided on request.

(**) Lock item SG215S are supplied without key. Optional key, to be ordered separately: item SG205CG – not s/s. To receive also the tongue in A.304 s/s, order It. KIT SG215.



SUPPORT RODS

Compass type, designed to open the cabinet doors upwards (seagull-wings). Safe and convenient, they have an automatic hooking device that allow to keep the doors open. Available both in right and left version: as from dimm.600x600 the use of two rods is recommended, for lower dimensions a single rods is enough.

- **ASD01**: right support rod
- **ASS01**: left support rod

NOTE: they can be assembled up to the 600x900 size, if no further weight is applied to the door.
The gas-operated springs must be used for greater sizes.



ANTI-CLOSING DEVICE

Made of AISI 304 stainless steel, is recommended to avoid the accidental closing of the door.

Not suitable for cabinet with upward opening door (seagull-wing).

Delivered in assembling kit

- **DAC01**



GRIP HANDLES

Made of AISI 304 s/s rod, mirror polished; recommended when the cabinets are used as control boxes.

They are delivered in assembling kit and come in two versions:

- **MNB200**: fixing distance between centres (l) 200 mm
- **MNB300**: fixing distance between centres (l) 300 mm



ADJUSTABLE FEET

Cylindrical, perfectly cleanable in AISI 304 S.S.

- **SA2000:** adjustable from 125 to 165 mm
- **SA2200:** adjustable from 165 to 205 mm



FIXED LECTERN

IP66

Made of AISI 304 s/s, finely satin-finished and protected, they are fitted directly to the door. Their execution and shape enable satisfactory space availability, even in restricted space conditions. The handy lower panel also allows wiring without the need for pushbuttons, instruments or raceways being secured to movable or removable parts. The top surface is perfectly smooth and free from gaps for improved cleaning. Three lengths are available:

- **SA531** - fixed lectern L. 600
- **SA532** - fixed lectern L. 800
- **SA535** - fixed lectern L. 1000



ELECTROCONDUCTIVE GASKET

emc[®]

The electroconductive gasket is required to shield the electric or magnetic field.

The elasticity of the gasket is obtained by using various foamed materials: silicone, neoprene or epdm depending on the conditions of use.

- **GCE**