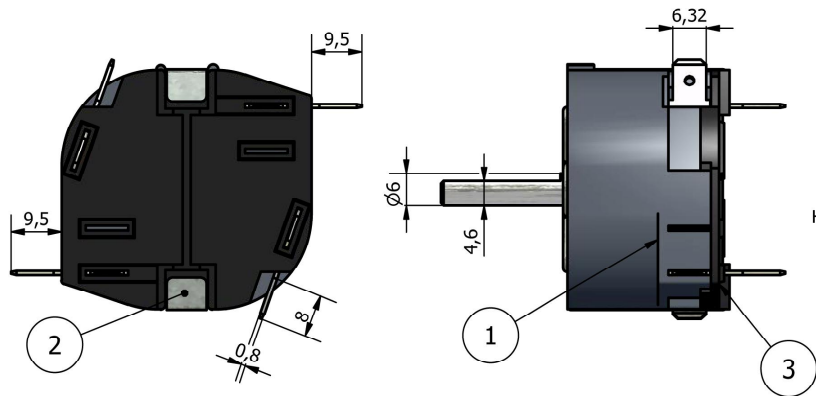
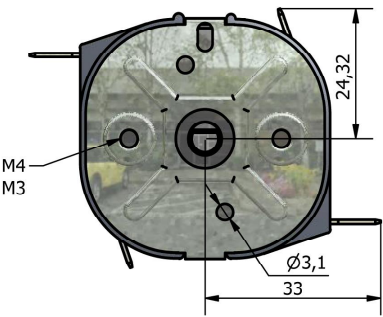


MI2 SWITCH TIMER

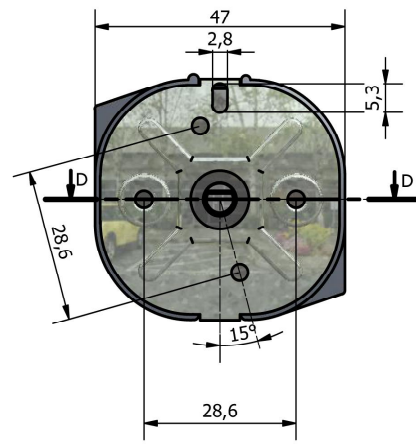
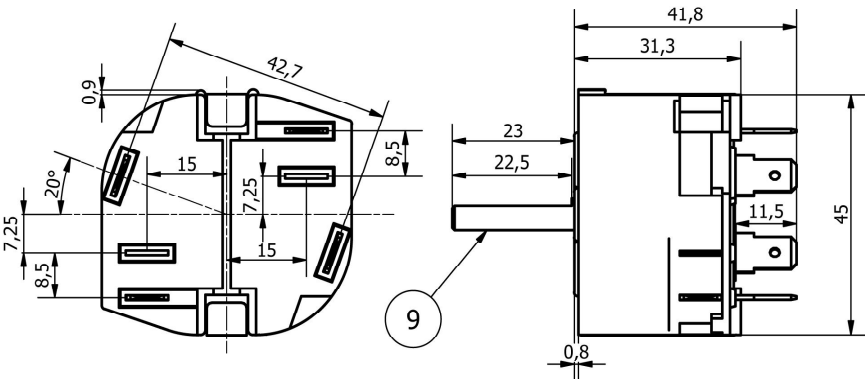
CIRCUIT : ELECTRIC STANDARD CIRCUIT



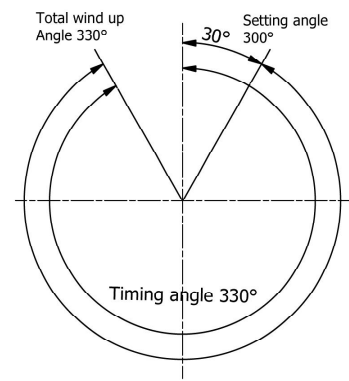
Holes M4 or M3



PARTS			
QTE	N°	DESCRIPTION	MATIERE
1	1	HOUSING	VO MATERIAL
1	2	FRONT PLATE	ZINC PLATED STEEL
1	3	SWITCH COVER	VO MATERIAL
4	5	TERMINAL FASTON 6.35x0.8mm	BRASS UZ36 0.8 silver plated contact Ag-Ni 90/10
4	6	TERMINAL FASTON 6.35X0.8MM	BRASS UZ36 0.8 SILVER PLATED
1	9	Main shaft	Steel or beric



DIAL ROTATION ANGLE



ELECTRICAL SPECIFICATIONS

SWITCHING CAPACITY 16A(4) 250V
15A(4) 120V

Type of current Vac
switch for appliance class II
Dielectric strength : 2000V 50Hz
Terminals : 6.35 x 0.8mm TAB terminals
Distance between contact : >= 3mm
Approvals : UL CSA VDE IMQ SEMKO

MECHANICAL SPECIFICATIONS

- Winding torque : 1.5 to 4.5 Kg (0.15 to 0.45N.m)
- return Torque to "zero" position 1 to 4.5 Kg (0.1 to 0.45N.m)
- Timing range : vibrator ±10%
balance wheel ±5% till 15min (on 330°)
- Residual operating torque : 0.1 Kg.cm (0.01N.m)
- Torque of manual position 4 Kg.cm (0.4N.m)
- Max use temp. T° :125-C (256 F)

Nota : dimensions in mm.

OPTIONAL :

- following request :
- timing period : from 1min15 to 14Hrs (on 330°)
 - several wind up angles available : 90° to 330°
 - Single pole , Double poles SPST-DPST SPDT DPDT
 - different sizes and shapes of the main shaft available
 - Terminals : back or on the side
 - Hold position CCW or end of wind up angle
 - with drop
 - fixation M3 M4 (28.6mm) or central bush M12x0.75
 - maximum screw length : 4mm
 - bell : ding at the end of timing

