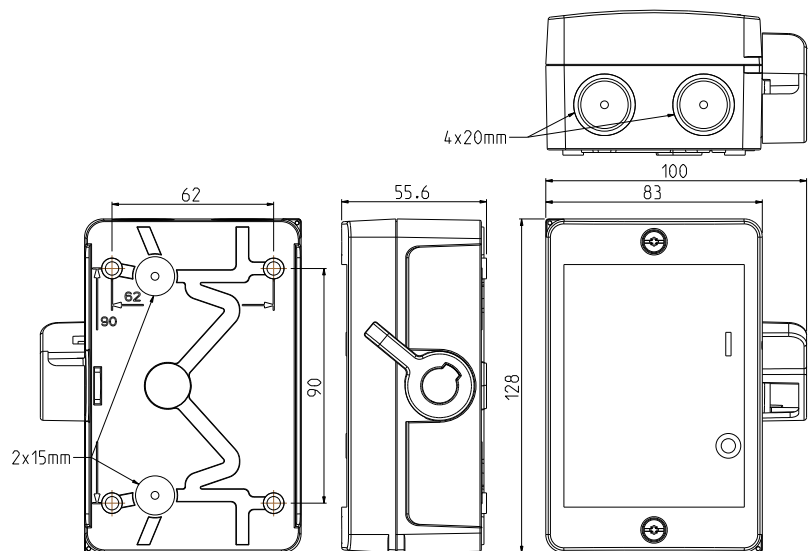


SIDE OPERATED SAFETY SWITCH POLYCARBONATE 16-25 A



- Easy to install
- IP 67
- Fully rated Load Break Switch
- Good resistance against UV and many chemicals
- Membrane gasket cable entries as standard with strain relief 2 x 20mm on top, 2 x 20mm on bottom and 2 x 15mm on base.
- Available also with cable glands (IP65).
- Wall mounting with membrane gaskets
- Wall mounting dimensions: 90,0 x 62,0
- Large 1,5 - 16 mm² cable terminals
- Padlockable handle to off-position
- Handle sealable to on-position
- Enclosure can be sealed in any position
- Available 2, 3, 4P and with auxiliary contact (S)
- Large 1,5 - 16 mm² Neutral and earth terminals on 3P switch, earth on 2P and 4P switches
- Door interlock



Type	AC-21 / 415 V	AC-22 / 415 V	AC-23 / 415 V	Poles	Description	EAN-Code	Weight
KSM 216	16 A	16 A	7,5 kW	2P	Grey	6419410 328217	0,21
KSM 316				3P		6419410 328200	0,28
KSM 416				4P		6419410 328224	0,28
KSM 316S				3P + auxiliary contact		6419410 328231	0,31
KSM 225	25 A	25 A	11 kW	2P	Grey	6419410 328330	0,21
KSM 325				3P		6419410 328309	0,28
KSM 425				4P		6419410 328316	0,28
KSM 325S				3P + auxiliary contact		6419410 328323	0,31