



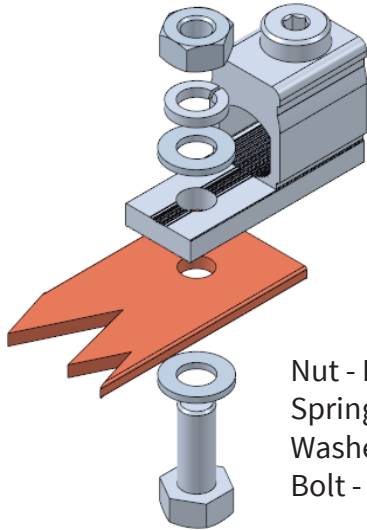
INSTALLATION MANUAL KKL CABLE CONNECTORS

Table 1

Product Datasheet:											
Type	Un (V)	In (Al) (A)	In (Cu) (A)	Al mm ²	Cu mm ²	Torque Al/Cu (Nm) T	Stripping length L mm	Allen key size	Mounting	EAN code 6419410...	Weight kg
KKL 1X16	690	63	63	1,5-16	1,5-16	2,2 (1,5-16mm ²)	15	Hex 3	Direct	...378496	0,01
KKL 1x50T.1	690	125	125	16-50	2,5-50	5 (2,5-16mm ²) / 10 (25-50mm ²)	19	Hex 5	Direct	...378717	0,019
KKL 1X50T.2	690	125	125	16-50	2,5-50	5 (2,5-16mm ²) / 10 (25-50mm ²)	19	Hex 5	Direct	...378502	0,019
KKL 1x50T.3	690	125	125	16-50	2,5-50	5 (2,5-16mm ²) / 10 (25-50mm ²)	19	Hex 5	Direct	...378724	0,019
KKL 1X50M	690	125	125	16-50	2,5-50	5 (2,5-16mm ²) / 10 (25-50mm ²)	19	Hex 5	Direct	...378519	0,017
KKL 1X50N	690	125	125	16-50	2,5-50	5 (2,5-16mm ²) / 10 (25-50mm ²)	19	Hex 5	Direct	...378670	0,014
KKL 1X50	690	160	160	16-50	2,5-50	5 (2,5-16mm ²) / 10 (25-50mm ²)	19	Hex 5	Bolt	...378571	0,011
KKL 2X50	690	200	320	16-50	16-50	5 (2,5-16mm ²) / 10 (25-50mm ²)	19	Hex 5	Bolt M8	...378588	0,023
KKL 2X50M	690	200	320	16-50	16-50	5 (2,5-16mm ²) / 10 (25-50mm ²)	19	Hex 5	Bolt M8	...378663	0,023
KKL 1X95	690	200	245	25-95	25-95	12 (16-50 mm ²) / 22 (70-95 mm ²)	22	Hex 6	Bolt M8	...378595	0,03
KKL1x95M	690	200	245	25-95	25-95	12 (16-50 mm ²) / 22 (70-95 mm ²)	22	Hex 6	Bolt M8	...378953	0,03
KKL 2X95	690	400	490	25-95	25-95	12 (16-50 mm ²) / 22 (70-95 mm ²)	22	Hex 6	Bolt M10	...378601	0,061
KKL 1X120T.1	690	200	245	16-120	16-120	12 (16-50 mm ²) / 22 (70-120 mm ²)	22	Hex 6	Direct	...378526	0,037
KKL 1X120T.2	690	200	245	16-120	16-120	12 (16-50 mm ²) / 22 (70-120 mm ²)	22	Hex 6	Direct	...378533	0,037
KKL 1X120T.3	690	200	245	16-120	16-120	12 (16-50 mm ²) / 22 (70-120 mm ²)	22	Hex 6	Direct	...378540	0,037
KKL 1X120T	690	200	245	16-120	16-120	12 (16-50 mm ²) / 22 (70-120 mm ²)	22	Hex 6	Direct	...378700	0,037
KKL 1X120TM	690	200	245	16-120	16-120	12 (16-50 mm ²) / 22 (70-120 mm ²)	22	Hex 6	Direct	...378557	0,037
KKL 1X120RS	690	200	245	16-120	16-120	12 (16-50 mm ²) / 22 (70-120 mm ²)	22	Hex 6	Bolt M8	...378687	0,044
KKL 1X120RSY	690	200	245	16-120	16-120	12 (16-50 mm ²) / 22 (70-120 mm ²)	22	Hex 6	Bolt M8	...378694	0,044
KKL 1X150	690	250	320	25-150	25-150	12 (25-50 mm ²) / 22 (70-95 mm ²) / 38 (120-150 mm ²)	29	Hex 6	Bolt M10	...378618	0,073
KKL1x150T2	690	250	320	25-150	25-150	12 (25-50 mm ²) / 22 (70-95 mm ²) / 38 (120-150 mm ²)	29	Hex 6	Bolt M10	...378748	0,073
KKL 2X150	690	500	640	25-150	25-150	12 (25-50 mm ²) / 22 (70-95 mm ²) / 38 (120-150 mm ²)	29	Hex 6	Bolt M12	...378625	0,15
KKL2x150LR	690	500	640	25-150	25-150	12 (25-50 mm ²) / 22 (70-95 mm ²) / 38 (120-150 mm ²)	29	Hex 6	Bolt M12	...300459	0,15
KKL 1X240	690	315	425	35-240	35-240	25 (35-120 mm ²) / 55 (150-240 mm ²)	35	Hex 8	Bolt M12	...378632	0,113
KKL 2X240	690	630	850	35-240	35-240	25 (35-120 mm ²) / 55 (150-240 mm ²)	35	Hex 8	Bolt M12	...378649	0,245
KKL 1X240TM	690	400	425	35-240	35-240	25 (35-120 mm ²) / 40 (150-240 mm ²)	30	Hex 8	Bolt M8	...378656	0,113
KKL 1X240TE	690	400	400	35-240	35-240	25 (35-120 mm ²) / 40 (150-240 mm ²)	30	Hex 8	Bolt M8	...378731	0,113
KKL2x240LR	690	630	850	35-240	35-240	25 (35-120 mm ²) / 55 (150-240 mm ²)	35	Hex 8	Bolt M12	...378755	0,245
KKL1x300	690	400	520	95-300	95-300	45 (95-120 mm ²) / 75 (150-300 mm ²)	42	Hex 12	Bolt M12	...484289	0,262
KKL2x300	690	800	1040	95-300	95-300	45 (95-120 mm ²) / 75 (150-300 mm ²)	42	Hex 12	Bolt M12	...484296	0,501
KKL2x150VB	690	500	640	25-150	25-150	12 (25-50 mm ²) / 22 (70-95 mm ²) / 38 (120-150 mm ²)	31/62	Hex 6	Bolt M12	...484319	0,18
KKL2x150VM	690	500	640	25-150	25-150	12 (25-50 mm ²) / 22 (70-95 mm ²) / 38 (120-150 mm ²)	31/62	Hex 6	Bolt M12	...484302	0,18
KKL2x240VB	690	630	850	35-240	35-240	25 (35-120 mm ²) / 40 (150-240 mm ²)	37/75	Hex 8	Bolt M12	...484333	0,339
KKL2x240VM	690	630	850	35-240	35-240	25 (35-120 mm ²) / 40 (150-240 mm ²)	37/75	Hex 8	Bolt M12	...484326	0,339
KKL2x300VB	690	800	1040	95-300	95-300	45 (95-120 mm ²) / 75 (150-300 mm ²)	42/82	Hex 12	Bolt M12	...484357	0,572
KKL2x300VM	690	800	1040	95-300	95-300	45 (95-120 mm ²) / 75 (150-300 mm ²)	42/82	Hex 12	Bolt M12	...484340	0,572

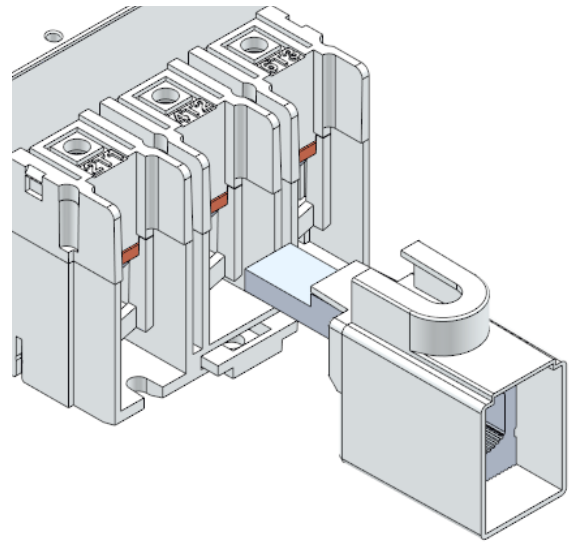
Installation:

Mounting: Bolt

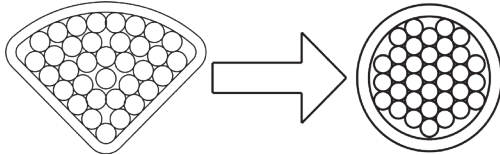


Nut - DIN 934
Spring washer - DIN 127
Washer - DIN 125
Bolt - DIN 933

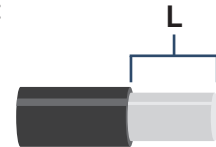
Mounting: Direct



Conductor:

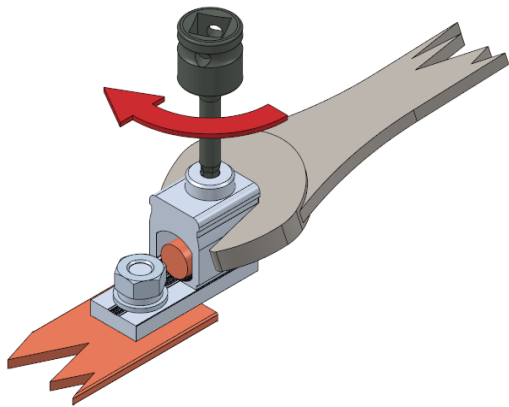


Stripping length L:



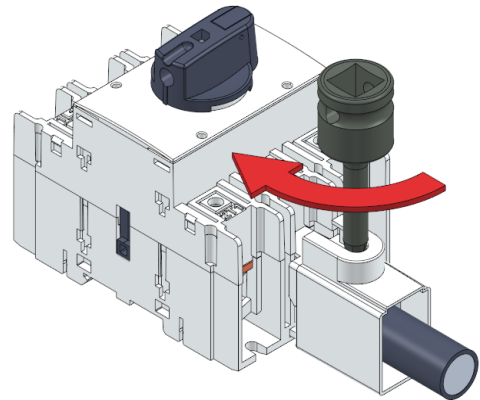
Connection:

Mounting: Bolt



Torque T

Mounting: Direct



Ref. Table 2

