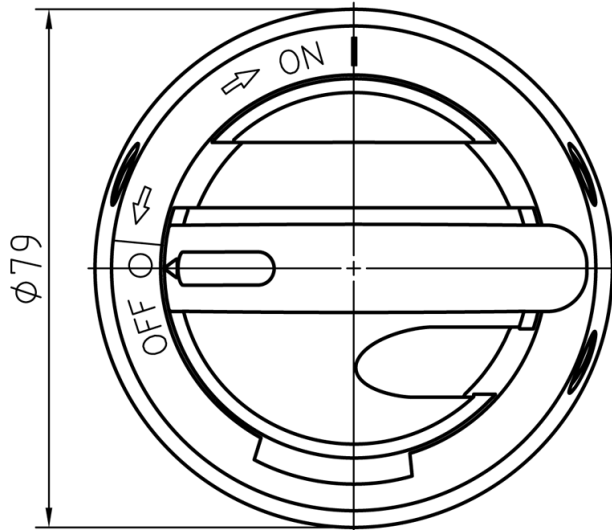
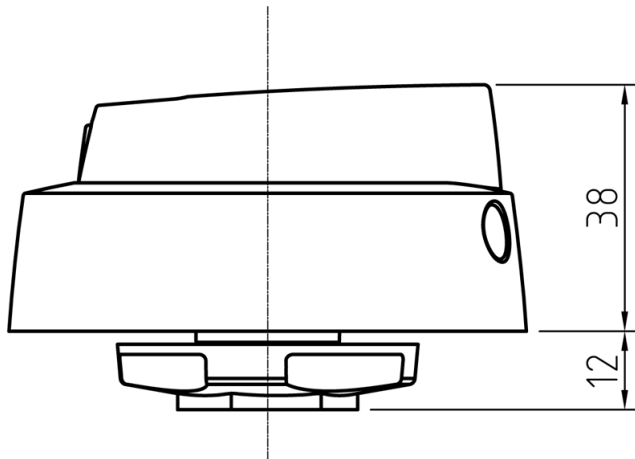


LK10/LK10ABS



Panel drilling:

