



CREATED WITH PASSION

GENERAL CATALOGUE

Release 22



CREATED WITH PASSION

GENERAL CATALOGUE

Release 22

STEEL PLATE

ASSEMBLED CABINETS E NUX	16
A1 A3 A4 A5 A7 A8 C4 D1	
SEISMIC DESIGN CABINETS E NUX	66
A4 A8	
MONOBLOC CABINETS E MOX	94
A1 A3 A5 A7 C4 D1	
COMPACT CABINETS E COMP	108
A1 A3 A5 A7 C4 D1	
MODULAR CABINETS E NUX	117
A1 A3 A5 A7 C4 D1	
PC CABINETS E NUX	133
A1 A3 A5 A7 C4 D1	
19" RACK CABINETS E NUX	139
B1	
OUTDOOR CABINETS E VIS	252
A1 A4 A5 A7 A8 B1 C4 D1	

EMC STEEL PLATE

ASSEMBLED CABINETS E NUX	264
--------------------------	-----

STAINLESS STEEL

SECTIONAL CABINETS NEMA 4X E NUX	68
A4 A8	
SECTIONAL CABINETS E NUX-X	214
A2 A4 A6 A8	
MONOBLOC CABINETS E MOX-X	224
A2 A4 A6 A8	
COMPACT CABINETS E COMP-X	226
A2 A4 A6 A8	

ALUMINIUM

OUTDOOR CABINETS E VIS	252
A7 A8 B3 C2 C3 D1 D2	

STEEL PLATE

BOXES WITH WALL MOUNT E COR	161
A1 A3 A5 A7 C4 D1	
RACK BOXES CR	156
B1 B3 C2 C3 D2	
VIDEOSURVEILLANCE BOXES E COR.VS	157
B1 B3 C2 C3 D2	
SHUNT BOXES SD	186
A1 A3 A5 A7 C4 D1	
ATEX BOXES ST-EE	232
A1 A3 A4 A5 A7 A8 C4 D1	

EMC STEEL PLATE

BOXES WITH WALL MOUNT E COR	266
A1 A3 A4 A5 A7 A8 C4 D1	
SHUNT BOXES SDVE	266
A1 A3 A4 A5 A7 A8 C4 D1	

STAINLESS STEEL

BOXES WITH WALL MOUNT E COR-X	230
A2 A4 A6 A8	
ATEX BOXES E COR-EEX	232
A1 A3 A4 A5 A7 A8 C4 D1	
SHUNT BOXES E GRAN-X	238
A2 A4 A6 A8	
KEYBOARDS SHX	239
A2 A4 A6 A8	
BOXES WITH BUILT-IN RAIN CANOPY E COR-TX	240
A2 A4 A6 A8	

A

INDUSTRIAL AUTOMATION

1

AUTOMOTIVE

2

FOOD & BEVERAGE

3

PACKAGING

4

OIL & GAS

5

HANDLING & LOGISTIC

6

PHARMA

7

WATER & WASTEWATER

8

MARINE & OFFSHORE

B

DATA NETWORKING

1

NETWORKING

2

DATA CENTER

CONTROL DESK PAGE

STEEL PLATE

DESK CABINETS EUAL	196
AE/LE/ME/PE ASSEMBLED CONTROL DESKS	200
SBA/ZBA MONOBLOC CONTROL DESKS	204

STAINLESS STEEL

ZBX MONOBLOC CONTROL DESKS	241
AEX/LEX/MEX/PEX ASSEMBLED CONTROL DESKS	242

SUSPENSION SYSTEMS PAGE

STEEL PLATE

CUSTOMISABLE ENCLOSURES BIONIQ	275
SUSPENSION SYSTEMS BQPA	281
SUSPENSION SYSTEMS ETR	285
STANDARD ENCLOSURES ETCR	295
STANDARD ENCLOSURES BEC	297

STAINLESS STEEL

SUSPENSION SYSTEM E RAM	246
ENCLOSURES E RAM	250

CABLE TRAY SYSTEMS PAGE

STEEL PLATE

COMPLETE SYSTEM E RIVI	341
------------------------	-----

THERMAL MANAGEMENT PAGE

DOOR MOUNTING AIR CONDITIONERS WICD	306
EXTRA-FLAT DOOR MOUNTING AIR COND. WIDS	316
CEILING AIR CONDITIONERS WICT	320
OUTDOOR AIR CONDITIONERS WICA	322
AIR/AIR EXCHANGERS WISC	326
AIR/WATER EXCHANGERS WISW	327
FANS WTSV AND FILTERS WTSG	328
EXHAUST FANS WT	334
HEATERS WI	336

C COMMERCIAL

D ENERGY MANAGEMENT

Three generations of passion and values



ETA: a reliable partner, always at your side

In the 1960s, Antonio Turati decided to use his passion to create a company aimed at designing and implementing high quality solutions. He then passed on his know-how, represented by a matrix of methods, analyses, values, and ethics, to his children, thus contributing to the birth of ETA. When his children founded ETA in 1978, they decided to name their new company with an acronym for “Eredi (heirs) Turati Antonio” as a tribute to their father and tradition.

ETA has stood by your side for three generations offering reliability, dedication, and safety. You can always count on our company: a team of people that are committed to their job with expertise and passion, always ready and willing to listen. The family control allows us to work on medium and long-term projects, using the passion that has always characterised us to obtain results we are proud of. Furthermore, we offer a guarantee for the future, financial and temporal stability, and the accountability that distinguishes small companies like ours.

Among the strong values that represent ETA, equality and gender equality in the job world are of vital importance. Without them it would not have been possible to achieve the results obtained in recent years, which have contributed to creating an inclusive and modern atmosphere.

ETA’s identity is made up of honest values, a passion that has been handed down over time, and a constantly evolving history. The synergy between solid foundations and growth potential, and a perfect synchrony between experience and innovation allow ETA to accompany you with unparalleled skills, experienced teams, mutual trust between customers and business partners and a strong desire to continue to “be ETA.”

Aldo Turati with his sister Luigia, President and CEO of ETA SpA respectively



Three fun occasions during the day dedicated to the family (Family Day) on the 40th anniversary of ETA's foundation. On the left, children climbing. Top right, all participants leave their hand prints on a large canvas. Bottom right, two Turati generations cutting the cake.

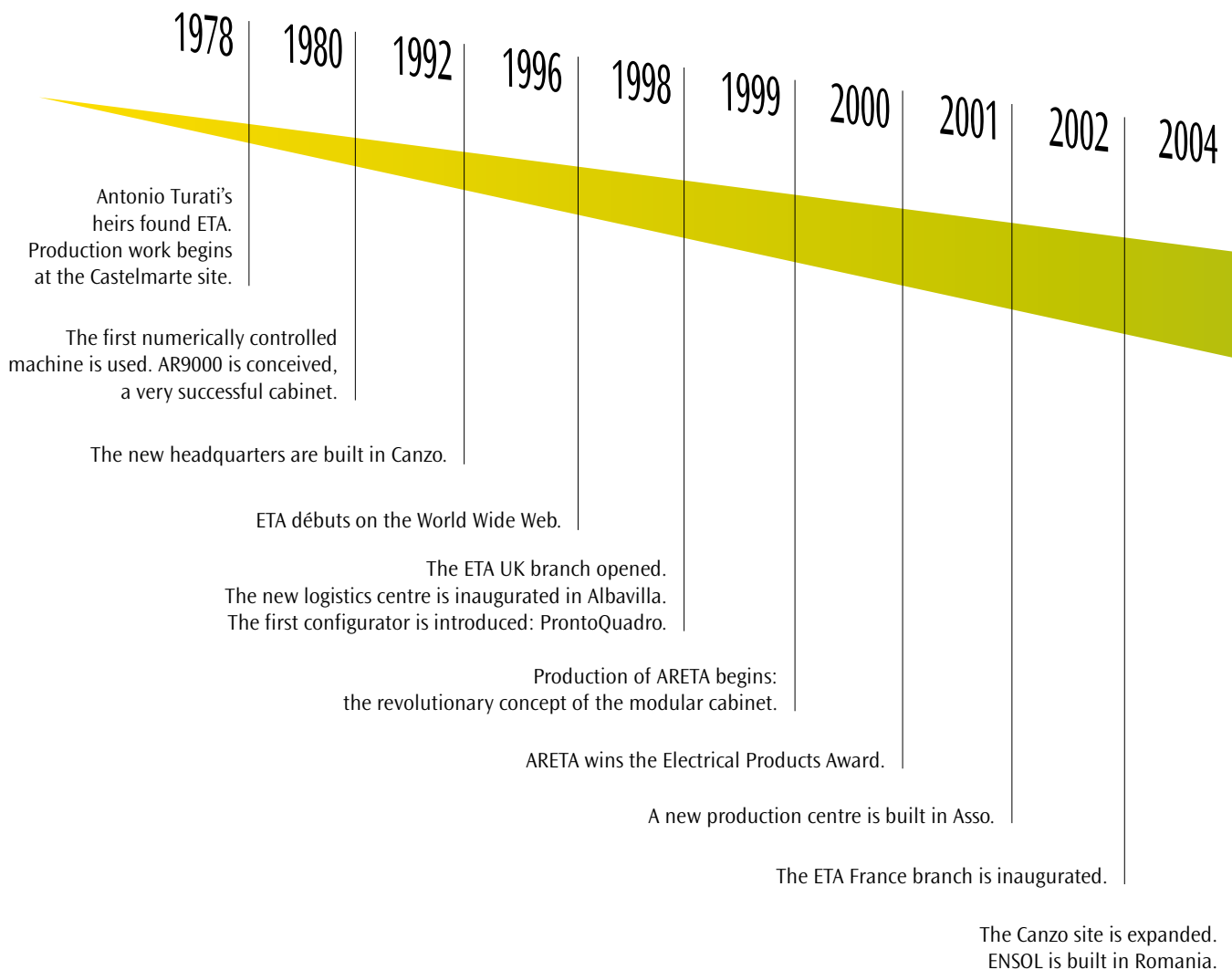
Together with families

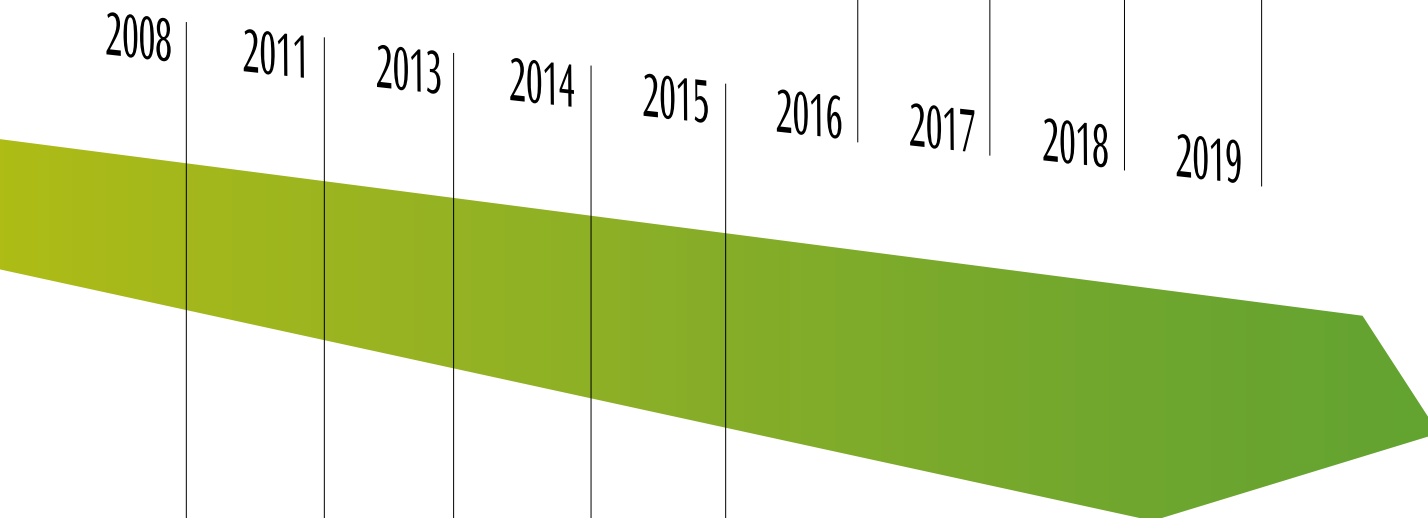
ETA believes that the company's most precious value is the human component. For this reason, there are many opportunities to get together with employees' families. One of these was the "Family Day" organised on for the fortieth anniversary of the company's foundation. A day dedicated to families with games and entertainment for all.

ETA and its history: milestones from 1978 to date

ETA has been a leading player in development and innovation for more than forty years.

Thanks to its innate passion and knowledge acquired over the years, the path of the foundation from 1978 to today is studded with awards and innovations that have contributed to changing the panorama of the automation industry.





After years of research, CALAMUS INTERACTIVE is introduced: the design software that connects the customer directly with production. In Albavilla, the new systems designed by ETA to build the E COR enclosures, with the concept of industry 4.0, come into operation.

Forty years of the foundation are celebrated. ETA Family Day is organised, a reunion for all employees and their families.

ETA Next is founded, the R&D laboratory of ideas and solutions where the products of tomorrow take shape. For the first time ever, the cathodic electro-coating process has been applied to the painting of enclosures. The system is DUP, double protection. The Canzo offices are expanded.

The new production unit is inaugurated in Albavilla. ETA offers products for four sectors: industrial automation, harsh environments, low voltage power distribution and networks for information technology, data and security.

2008

2011

2013

2014

2015

2016

2017

2018

2019

ETA presentation in Hanover: "Multiply the experience". ABACUS, a system dedicated to networks and data centres, is introduced.

ENERPOWER is established, intended for the distribution of LV energy.

The ETA handle is wins honourable mention for the Compasso d'Oro by ADI. A new department dedicated to stainless steel processing is inaugurated.

ETA designs and introduces a new corporate logo. E NUX is conceived: a construction system with avant-garde materials.

A new production centre is built in Albavilla. The painting plant is inaugurated with cutting-edge technologies and solutions.



**ETA multiplies
experience
from automation
to today**

Since 1978, ETA has established itself as a manufacturer of enclosures for the world of automation. The technologies needed to build elements such as cabinets or boxes for automation are similar to those used for other components in the world of electronics and electrical engineering. Therefore, ETA automatically took a step further, creating new products for already consolidated sectors. Operation advertised by the company under the motto “experience in evolution”. The evolution began by making stainless steel cabinets and boxes, objects to be used in particularly harsh environments such as food & beverage or oil & gas.

ETA then developed its own solutions in the IT and security sector. Thus the ABACUS brand was introduced, a wide range of enclosures, from small boxes for offices up to server cabinets for data processing centres.



All ETA production is assisted by a series of software that support customers in the design and budgeting of the entire ETA catalogue. These programs are granted on loan to customers and updated with periodic releases.

e nux

e nux
STAINLESS STEEL

A B A C U S **A** S Y S T E M



Thus ETANEXT was established, the ETA research centre which, in addition to dealing with the software distributed by ETA, is dedicated to satisfying customer design needs.

ETA has developed innovations to best produce every type of solution, also paying attention to the use of processed raw materials. The first cabinets were made of sheet steel, later flanked by a stainless steel line. In the construction of the outdoor cabinets, ETA introduced aluminium and, finally, copper, the conductor metal for the distribution of low voltage energy, came into play.

To date, ETA not only sells products, but solutions that focus on customisation and customer needs.



ETA is a company based on strong values and a vision for the future that is committed to spreading innovative and flexible ideas, creating a real change in which we truly believe.

Our company invests in human capital and the ecosystem in which it operates, using the values that have always distinguished it.

The concept of “created with passion” is reflected in the work and results of the ETA team, which for forty years now, generation after generation, has been passionately committed to innovating and improving to give the best and create efficient and high quality to open new horizons. The commitment and interest that the team places in the design and production of solutions is a consequence of the passion and research undertaken by Turati Family over half a century ago.

ETA: its vision and its values





Sustainability

We act in a perspective of economic, social and environmental sustainability, according to long-medium term logics.

Quality

Reliable and competent people you can rely on, constantly monitored business processes, certified products developed through careful design and implementation.

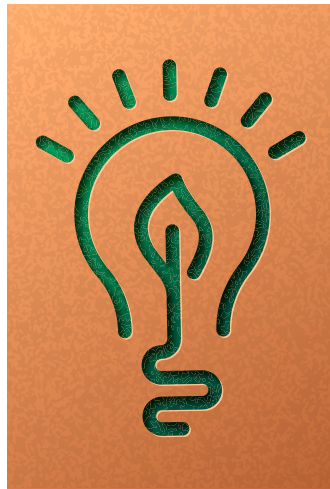
Innovation

Value of important choices: advanced technology, long-term vision, intuitions, investments and new projects.



Flexibility

Flexibility of thought in responding to the needs of a changing market and product flexibility in the customization of standard solutions.



Our mission is to anticipate the needs of the global market, differentiating ourselves from the rest as a flexible, sustainable, innovative and technologically advanced Italian company. ETA proposes itself as a n all-inclusive partner: our team made up of competent and passionate people and our solutions for high quality products will satisfy all customer needs.

The dawn of ETA NEXT in 2017 marked a turning point in the collaboration between customer and company. ETA NEXT is a laboratory of ideas where you can design solutions and products and develop projects dedicated to our Business Partners. Requests are analysed and the most effective and efficient solutions are designed through an analysis carried out with a logical sequence method in our new research centre, equipped with a prototyping and testing area. The ETA NEXT team is available to respond to every new customer need, combining skill with creativity, inventiveness, intuition and passion typical of Made in Italy.

At ETA we do not find customers for our products, but we create products for our customers.

ETA is the global benchmark for industrial automation, power distribution and IT solutions. We create custom products with a distinctive and ergonomic design, adhering to international industry standards, rigorously Made in Italy with certified processes.



ETA and investments for a customer service

ETA is an innovative and certified company that believes strongly in evolution, whose goal has been to design and manufacture high quality enclosures combining innovation with the all the experience gained throughout its years of activity in the sector.

The continuous innovation of ETA has led, from 1978 to today, to increasingly efficient and competitive results, developing and investing in new cutting-edge performing technologies.

EDUP: double layer protection

ETA is the first company in the world in the sector to apply a cathodic electro-coating process to the painting of enclosures and electrical panels. The system is called E DUP: Double Layer Protection, or double protection.

E DUP consists in an initial layer of cathodic electrophoresis paint with epoxy resin and second finish with thermosetting epoxy-polyester powders according to the ETA standard electrostatic cycle. This treatment is a standard for all of ETA's painted solutions and uses a primer of undisputed chemical and physical properties, to ensure better product performance and offer increasingly reliable, performing and suitable solutions for a variety of environments and applications.

The highly automated and innovative process has made it possible to obtain superior quality results, reducing the thickness of topcoats and eliminating wasted paint, in full respect of environmental sustainability.





The new production line 4.0

In 2016, ETA Group purchased an abandoned industrial area in Albavilla (CO) and redeveloped it by renovating the building and the surrounding area, bringing ETA's facilities to over 70,000 m² in the province of Como. All this in full compliance with the principles of sustainability, leaving the rest of our wonderful territory intact in the heart of the Lariano Triangle, a few kilometres from the suggestive Lake Como.

In addition to the production and assembly area dedicated to ENERPOWER solutions, the new unit, completed in 2018, houses the entire line developed for the E COR range in compliance with the requirements of Industry 4.0.

This investment differs from the rest for its process flexibility and highly innovative technology. The final goal of this product is to offer the customer the possibility of selecting a standard or a customised product with specific dimensions defined down to the millimetre. The E COR system is protected not only by a simple laser shell, but by ETA know-how, inspired by Trajan's Column. Our artistic heritage is represented on the walls like an epigraph, a modern day endeavour for the future. The inside holds more than just technology... there's people, knowledge, and the expertise of over 40 years of activity in the enclosure manufacturing sector.





ETA and sustainability

Among the values that make up ETA, sustainability is fundamental for our company. Our vision is to invest in human capital and the ecosystem in which it operates, engaging in everything that makes it up, from an economic, social, territorial and environmental point of view.

ETA is an active part of this ecosystem, and has been working with passion for three generations, respecting it and making the most of it.

Our Green choices

ETA is truly committed to pursuing all-inclusive sustainability even in everyday life:

- Our ETANEXT team wears Ralph Lauren's "Earth Polo", each made with 12 plastic bottles collected from local communities in developing countries and dyed without the use of water.
- We have created water bottles, pens, USB pens and shopping bags respecting the environment using safe and recyclable materials.
- All our communications are printed on FSC certified paper, either recycled or made from intelligently managed forests.

WE INVEST IN THE ENVIRONMENT

The first aspect we evaluate is environmental impact when designing our product solutions. Our systems are CO2-efficient, we use recyclable materials such as HSLA steel, we invest in photovoltaic systems and we also focus on flat-pack solutions to optimise space and logistics.

WE INVEST IN WELFARE

The community is an integral part of our ecosystem, and we demonstrate this by contributing to humanitarian missions and supporting local authorities that reflect our values.

WE INVEST IN THE FUTURE

Our third generation family business places a lot of importance on the constant development and innovation of our skills to perform at their best in what we love to do.

WE INVEST IN PEOPLE

The greatest asset of a company is represented by its customers, because without customers there are no companies. We have thus created the ETA NEXT ideas lab, where we support our customers, which have always been our priority, giving space to their requests, satisfied by an exceptional and constantly updated staff.

WE INVEST IN PARTNERSHIPS

The assiduous partnership between the customer and our team in projects leads to exceptional and efficient results, also thanks to the choice of loyal partners and suppliers.

WE INVEST IN RESEARCH

At ETA we work to create product solutions, not just products. We invest in research and development to exceed customer expectations in terms of cost performance, productivity and quality.

A INDUSTRIAL AUTOMATION

- 1** AUTOMOTIVE
- 2** FOOD & BEVERAGE
- 3** PACKAGING
- 4** OIL & GAS
- 5** HANDLING & LOGISTIC
- 6** PHARMA
- 7** WATER & WASTEWATER
- 8** MARINE & OFFSHORE

B DATA NETWORKING

- 1** NETWORKING
- 2** DATA CENTER
- 3** SMART BUILDING

C COMMERCIAL

- 1** MONITORING & SECURITY
- 2** COMMERCIAL BUILDING
- 3** INFRASTRUCTURE
- 4** HVAC

D ENERGY MANAGEMENT

- 1** RENEWABLE
- 2** SMART CITY
- 3** LV DISTRIBUTION
- 4** ENERGY STORAGE

SUITE CABINETS E NUX

A1 A3 A4 A5 A7 A8 C4 D1

MONOBLOC CABINETS E MOX

A1 A3 A5 A7 C4 D1

COMPACT SOLUTIONS E COMP

A1 A3 A5 A7 C4 D1

MODULAR SOLUTIONS E NUX

A1 A3 A5 A7 C4 D1

PC CABINETS E NUX

A1 A3 A5 A7 C4 D1

RACK 19" AND NETWORKING SOLUTIONS E NUX

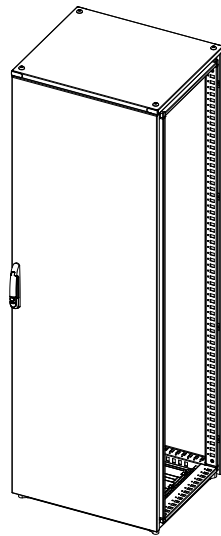
B1

Nothing is more critical than your components. At E.T.A. we are constantly aware of that. That's why everything about the new E NUX modular cabinet system is designed with these ideas in mind.

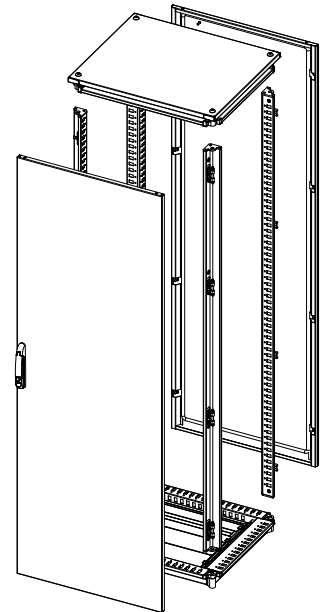
E NUX is produced as a real complete "system" of cabinets for different applications: based on the same E NUX structure (bottom + top + uprights), thanks to a wide range of standard accessories we offer specific versions, fittings and solutions for each need.

SUPPLY

Assembled cabinet



Flat-pack cabinet



SOLUTIONS



Blank door



Plexi door



Back/Front door



Double door

MATERIALS



Sheet steel



Stainless steel sheet



EMC

APPLICATIONS
BASED ON E NUX



Automation



Modular / LV Energy



PC



Control desks



Rack 19"



Networking

Suite

CONFIGURATOR

quadroplan

PLUS

New on-line configurator for the fast selection of standard E NUX cabinets and relative accessories:
select dimensions, configuration and set-up, the program will propose the list of codes and project drawings!

CUSTOMISATION



Special painting
and finishes



Simple and threaded holes
Wide range of services for
complete customization



THE CABINET FOR AUTOMATION

Preserving and enhancing environmental resources over time; investing in innovative production processes over the long term; offering high quality solutions: this is our company's philosophy, tangibly represented by E NUX, the top of the range ETA assembled cabinet system.

Innovation is deployed at multiple levels for E NUX: research for environmental protection and efficiency, investments in new high-tech machinery and energy-saving machining processes, new constructive concepts and selection of last-generation high-strength low-alloy steel with high-performance mechanical properties. E NUX cabinet system is a perfect match of made-in-Italy design and Cutting-edge technology and quality features, studied to enhance functionality, protection and versatility of your enclosure solutions.

BENEFITS

Innovative construction concepts	Sustainability
High performance high yield strength steel	Research and technology
Variety of solutions, configurations and dimensions	Flexibility
Rigid frame profile and sturdy structure	Strength
Innovative latch system	Functionality
Modern clean appearance and high aesthetics	Design
Perfect adherence to industry standards	Safety & reliability



e-nux

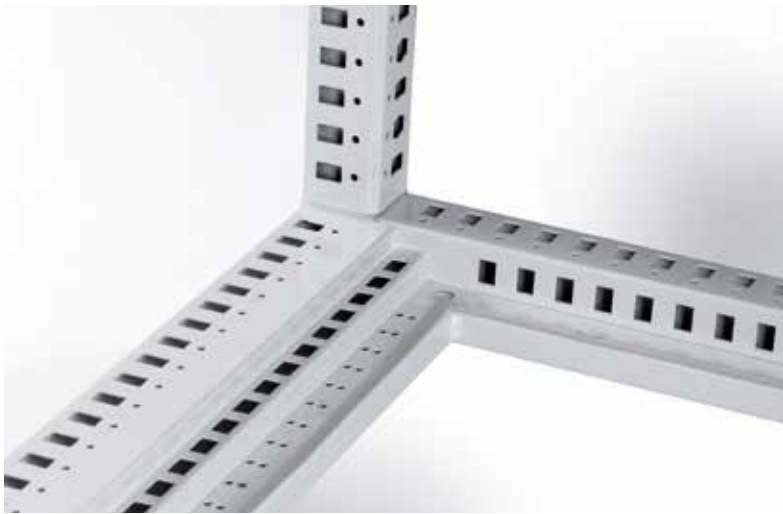
SUITE CABINET

FEATURES

- 1 Removable roof to simplify cable management.
- 2 Simple structure assembled with 8 screws only, thanks to the exclusive orthogonal joint manufactured from special steel.
- 3 Sturdy structural uprights manufactured from high-strength low-alloy steel with fiber laser welded closed symmetric profile.
- 4 Colour for top, plinth and handle (RAL 5020).
- 5 New Easy Lock Handle.
- 6 Locking system with a unique lever mechanism, unique design and:
 3-point locking for H=1400 and 1600
 4-point locking for H=1800 and 2000
 5-point locking for H=2200
 with possibility to mount different inserts and convenient lock release system of the slave door of the double door cabinet.
- 7 Reversible door with strengthening frame.

- 8 Sturdy panels for high structural stiffness.
 - 9 Modular cable entry bottom with adjustable base plates and seal, consisting of one fiber laser-MIG hybrid welded piece with box-type construction manufactured from high-strength low-alloy steel.
 - 10 Front-inserted mounting plate, which can be recessed flush with the uprights thanks to the effective sliding guides system integrated in the bottom.
 - 11 Easy-to-assemble modular plinth EUZE
 - Possibility to adopt a fully modular Walk-On cable conduit.
 - Wide range of complementary accessories.
 - Wide range of sizes and unified structure for the configuration of automation cabinets, modular solutions, PC enclosures, control desks, 19" rack solutions, and telecom/networking cabinets.
- Protection rating: IP55 - Nema 12 - IK10.





**E NUX: SUSTAINABLE,
STRONG AND PERFORMING CABINET**

STRENGTH

Improved mechanical features and higher pulling, twisting, bending resistance thanks to fiber laser welded box-type uprights manufactured from high-strength low-alloy sheet steel and one-piece cable entry bottom, with box-type structure of press-bent fiber laser-MIG hybrid welded profiles of high-strength low-alloy sheet steel. Double cable entry with central partition crosspiece integrated in the bottom for increased sturdiness.



SAFETY

Modular cable entry bottom featuring adjustable base plates with metal fixing elements to guarantee automatic grounding: included in the standard supply, adhesive seal for an optimal cable routing to preserve the IP protection degree.



STURDINESS

The unique and innovative bending concept of back and side panels with rounded folding, ensures undisputed structural stiffness combined with the benefit of smoother handling and high aesthetics.

DESIGN

The E NUX cabinet is characterised by unique aesthetics: the selected finishing and the colour impact represent the company's "sustainable" philosophy, while the new Easy-lock handle helps to differentiate the cabinet and further simplify the control board closing phase.



TECHNOLOGY

Lever-operated opening system with compact internal footprint, easy door release system for the slave door of the double door cabinet: with this opening concept, the operator no longer needs to put a hand into the cabinet and can use the same key as for the master door.








FLEXIBILITY

Over 90 standard dimensions, multiple configurations in mounted or flat-pack versions, selection between two different versions, full range of complementary accessories for multiple configurations. E NUX stands out for its wide range of solutions and multiple customization options.








ASSEMBLED CABINET

Suite

DIMENSIONS W x H x D	E NUX				
	 CABINET WITH FRONT BLANK DOOR + REAR PANEL (1)	 CABINET WITH DOUBLE BLANK DOOR + REAR PANEL (2)	 CABINET WITH FRONT PLEXI DOOR + REAR PANEL (3)	 CABINET WITH FRONT BLANK DOOR + REAR BLANK DOOR (4)	 CABINET WITH DOUBLE BLANK DOOR + DOUBLE BLANK REAR DOOR (5)
400 x 1600 x 400	ENUX041604PR			ENUX041604DP	
400 x 1600 x 500	ENUX041605PR			ENUX041605DP	
400 x 1600 x 600	ENUX041606PR			ENUX041606DP	
400 x 1800 x 400	ENUX041804PR			ENUX041804DP	
400 x 1800 x 500	ENUX041805PR			ENUX041805DP	
400 x 1800 x 600	ENUX041806PR			ENUX041806DP	
400 x 1800 x 800	ENUX041808PR			ENUX041808DP	
400 x 2000 x 400	ENUX042004PR			ENUX042004DP	
400 x 2000 x 500	ENUX042005PR			ENUX042005DP	
400 x 2000 x 600	ENUX042006PR			ENUX042006DP	
400 x 2000 x 800	ENUX042008PR			ENUX042008DP	
400 x 2200 x 500	ENUX042205PR			ENUX042205DP	
400 x 2200 x 600	ENUX042206PR			ENUX042206DP	
400 x 2200 x 800	ENUX042208PR			ENUX042208DP	
600 x 1400 x 400	ENUX061404PR		ENUX061404PV	ENUX061404DP	
600 x 1400 x 500	ENUX061405PR		ENUX061405PV	ENUX061405DP	
600 x 1600 x 400	ENUX061604PR		ENUX061604PV	ENUX061604DP	
600 x 1600 x 500	ENUX061605PR		ENUX061605PV	ENUX061605DP	
600 x 1600 x 600	ENUX061606PR		ENUX061606PV	ENUX061606DP	
600 x 1800 x 400	ENUX061804PR		ENUX061804PV	ENUX061804DP	
600 x 1800 x 500	ENUX061805PR		ENUX061805PV	ENUX061805DP	
600 x 1800 x 600	ENUX061806PR		ENUX061806PV	ENUX061806DP	
600 x 1800 x 800	ENUX061808PR		ENUX061808PV	ENUX061808DP	
600 x 2000 x 400	ENUX062004PR		ENUX062004PV	ENUX062004DP	
600 x 2000 x 500	ENUX062005PR		ENUX062005PV	ENUX062005DP	
600 x 2000 x 600	ENUX062006PR		ENUX062006PV	ENUX062006DP	
600 x 2000 x 800	ENUX062008PR		ENUX062008PV	ENUX062008DP	
600 x 2000 x 1000	ENUX062010PR		—	—	
600 x 2200 x 500	ENUX062205PR		ENUX062205PV	ENUX062205DP	
600 x 2200 x 600	ENUX062206PR		ENUX062206PV	ENUX062206DP	
600 x 2200 x 800	ENUX062208PR		ENUX062208PV	ENUX062208DP	
800 x 1400 x 400	ENUX081404PR		ENUX081404PV	ENUX081404DP	
800 x 1400 x 500	ENUX081405PR		ENUX081405PV	ENUX081405DP	
800 x 1600 x 400	ENUX081604PR		ENUX081604PV	ENUX081604DP	
800 x 1600 x 500	ENUX081605PR		ENUX081605PV	ENUX081605DP	
800 x 1600 x 600	ENUX081606PR		ENUX081606PV	ENUX081606DP	
800 x 1800 x 400	ENUX081804PR		ENUX081804PV	ENUX081804DP	
800 x 1800 x 500	ENUX081805PR		ENUX081805PV	ENUX081805DP	
800 x 1800 x 600	ENUX081806PR		ENUX081806PV	ENUX081806DP	
800 x 1800 x 800	ENUX081808PR		ENUX081808PV	ENUX081808DP	
800 x 2000 x 400	ENUX082004PR		ENUX082004PV	ENUX082004DP	
800 x 2000 x 500	ENUX082005PR		ENUX082005PV	ENUX082005DP	
800 x 2000 x 600	ENUX082006PR		ENUX082006PV	ENUX082006DP	
800 x 2000 x 800	ENUX082008PR		ENUX082008PV	ENUX082008DP	
800 x 2000 x 1000	ENUX082010PR		—	—	
800 x 2200 x 500	ENUX082205PR		ENUX082205PV	ENUX082205DP	
800 x 2200 x 600	ENUX082206PR		ENUX082206PV	ENUX082206DP	
800 x 2200 x 800	ENUX082208PR		ENUX082208PV	ENUX082208DP	

ASSEMBLED CABINET

Suite

IMAGES ARE ONLY INTENDED TO ILLUSTRATE THE PRODUCT	E NUX				
					
DIMENSIONS W x H x D	CABINET WITH FRONT BLANK DOOR + REAR PANEL (1)	CABINET WITH DOUBLE BLANK DOOR + REAR PANEL (2)	CABINET WITH FRONT PLEXI DOOR + REAR PANEL (3)	CABINET WITH FRONT BLANK DOOR + REAR BLANK DOOR (4)	CABINET WITH DOUBLE BLANK DOOR + DOUBLE BLANK REAR DOOR (5)
1000 x 1600 x 400	ENUX101604PR		ENUX101604PV	ENUX101604DP	
1000 x 1600 x 500	ENUX101605PR		ENUX101605PV	ENUX101605DP	
1000 x 1600 x 600	ENUX101606PR		ENUX101606PV	ENUX101606DP	
1000 x 1800 x 400	ENUX101804PR		ENUX101804PV	ENUX101804DP	
1000 x 1800 x 500	ENUX101805PR		ENUX101805PV	ENUX101805DP	
1000 x 1800 x 600	ENUX101806PR		ENUX101806PV	ENUX101806DP	
1000 x 1800 x 800	ENUX101808PR		ENUX101808PV	ENUX101808DP	
1000 x 2000 x 400	ENUX102004PR		ENUX102004PV	ENUX102004DP	
1000 x 2000 x 500	ENUX102005PR		ENUX102005PV	ENUX102005DP	
1000 x 2000 x 600	ENUX102006PR		ENUX102006PV	ENUX102006DP	
1000 x 2000 x 800	ENUX102008PR		ENUX102008PV	ENUX102008DP	
1000 x 2200 x 500	ENUX102205PR		ENUX102205PV	ENUX102205DP	
1000 x 2200 x 600	ENUX102206PR		ENUX102206PV	ENUX102206DP	
1000 x 2200 x 800	ENUX102208PR		ENUX102208PV	ENUX102208DP	
1200 x 1400 x 400		ENUX121404PR			ENUX121404DP
1200 x 1400 x 500		ENUX121405PR			ENUX121405DP
1200 x 1600 x 400		ENUX121604PR			ENUX121604DP
1200 x 1600 x 500		ENUX121605PR			ENUX121605DP
1200 x 1600 x 600		ENUX121606PR			ENUX121606DP
1200 x 1800 x 400		ENUX121804PR			ENUX121804DP
1200 x 1800 x 500		ENUX121805PR			ENUX121805DP
1200 x 1800 x 600		ENUX121806PR			ENUX121806DP
1200 x 1800 x 800		ENUX121808PR			ENUX121808DP
1200 x 2000 x 400		ENUX122004PR			ENUX122004DP
1200 x 2000 x 500		ENUX122005PR			ENUX122005DP
1200 x 2000 x 600		ENUX122006PR			ENUX122006DP
1200 x 2000 x 800		ENUX122008PR			ENUX122008DP
1200 x 2000 x 1000		ENUX122010PR			—
1200 x 2200 x 500		ENUX122205PR			ENUX122205DP
1200 x 2200 x 600		ENUX122206PR			ENUX122206DP
1200 x 2200 x 800		ENUX122208PR			ENUX122208DP
1400 x 2000 x 400		ENUX142004PR			ENUX142004DP
1400 x 2000 x 500		ENUX142005PR			ENUX142005DP
1400 x 2000 x 600		ENUX142006PR			ENUX142006DP
1400 x 2000 x 800		ENUX142008PR			ENUX142008DP
1600 x 1400 x 400		ENUX161404PR			ENUX161404DP
1600 x 1400 x 500		ENUX161405PR			ENUX161405DP
1600 x 2000 x 400		ENUX162004PR			ENUX162004DP
1600 x 2000 x 500		ENUX162005PR			ENUX162005DP
1600 x 2000 x 600		ENUX162006PR			ENUX162006DP
1600 x 2000 x 800		ENUX162008PR			ENUX162008DP

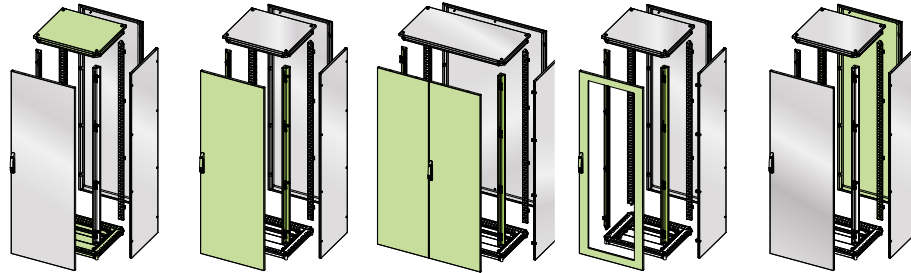
(1) supply includes the cabinet frame, blank door and rear panel. To be ordered separately mounting plate, side panels, plinth, eyebolts WTGS-001
 (2) cabinet made up from structure, double blank door and rear panel; order the mounting plate, pair of side panels, the plinth and the eye-bolts WTGS-001 separately
 (3) supply includes the cabinet frame, plexi door and rear panel. To be ordered separately mounting plate, side panels, plinth, eyebolts WTGS-001
 (4) supply includes the cabinet frame, front door and rear door. To be ordered separately mounting plate, side panels, plinth, eyebolts WTGS-001
 (5) cabinet made up from structure, double front door and blank rear panel; order the mounting plate, pair of side panels, the plinth and the eye-bolts WTGS-001 separately



FLAT-PACK CABINET

Suite

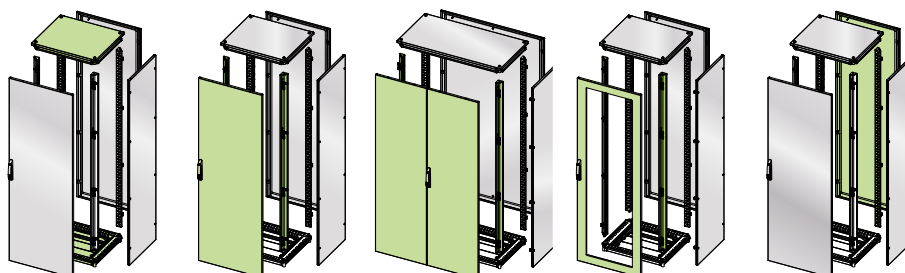
IMAGES ARE ONLY INTENDED TO ILLUSTRATE THE PRODUCT



DIMENSIONS W x H x D	ROOF + BOTTOM	FRONT BLANK DOOR + FRONT UPRIGHTS	DOUBLE FRONT BLANK DOOR + FRONT UPRIGHTS	PLEXI DOOR + FRONT UPRIGHTS	REAR PANEL + REAR UPRIGHTS
400 x 1600 x 400	EUTF040040	EUPO040160			EURE040160
400 x 1600 x 500	EUTF040050	EUPO040160			EURE040160
400 x 1600 x 600	EUTF040060	EUPO040160			EURE040160
400 x 1800 x 400	EUTF040040	EUPO040180			EURE040180
400 x 1800 x 500	EUTF040050	EUPO040180			EURE040180
400 x 1800 x 600	EUTF040060	EUPO040180			EURE040180
400 x 1800 x 800	EUTF040080	EUPO040180			EURE040180
400 x 2000 x 400	EUTF040040	EUPO040200			EURE040200
400 x 2000 x 500	EUTF040050	EUPO040200			EURE040200
400 x 2000 x 600	EUTF040060	EUPO040200			EURE040200
400 x 2000 x 800	EUTF040080	EUPO040200			EURE040200
400 x 2200 x 500	EUTF040050	EUPO040220			EURE040220
400 x 2200 x 600	EUTF040060	EUPO040220			EURE040220
400 x 2200 x 800	EUTF040080	EUPO040220			EURE040220
600 x 1400 x 400	EUTF060040	EUPO060140		EUPV060140	EURE060140
600 x 1400 x 500	EUTF060050	EUPO060140		EUPV060140	EURE060140
600 x 1600 x 400	EUTF060040	EUPO060160		EUPV060160	EURE060160
600 x 1600 x 500	EUTF060050	EUPO060160		EUPV060160	EURE060160
600 x 1600 x 600	EUTF060060	EUPO060160		EUPV060160	EURE060160
600 x 1800 x 400	EUTF060040	EUPO060180		EUPV060180	EURE060180
600 x 1800 x 500	EUTF060050	EUPO060180		EUPV060180	EURE060180
600 x 1800 x 600	EUTF060060	EUPO060180		EUPV060180	EURE060180
600 x 1800 x 800	EUTF060080	EUPO060180		EUPV060180	EURE060180
600 x 2000 x 400	EUTF060040	EUPO060200		EUPV060200	EURE060200
600 x 2000 x 500	EUTF060050	EUPO060200		EUPV060200	EURE060200
600 x 2000 x 600	EUTF060060	EUPO060200		EUPV060200	EURE060200
600 x 2000 x 800	EUTF060080	EUPO060200		EUPV060200	EURE060200
600 x 2200 x 500	EUTF060050	EUPO060220		EUPV060220	EURE060220
600 x 2200 x 600	EUTF060060	EUPO060220		EUPV060220	EURE060220
600 x 2200 x 800	EUTF060080	EUPO060220		EUPV060220	EURE060220
800 x 1400 x 400	EUTF080040	EUPO080140	EUPO080140DP	EUPV080140	EURE080140
800 x 1400 x 500	EUTF080050	EUPO080140	EUPO080140DP	EUPV080140	EURE080140
800 x 1600 x 400	EUTF080040	EUPO080160	EUPO080160DP	EUPV080160	EURE080160
800 x 1600 x 500	EUTF080050	EUPO080160	EUPO080160DP	EUPV080160	EURE080160
800 x 1600 x 600	EUTF080060	EUPO080160	EUPO080160DP	EUPV080160	EURE080160
800 x 1800 x 400	EUTF080040	EUPO080180	EUPO080180DP	EUPV080180	EURE080180
800 x 1800 x 500	EUTF080050	EUPO080180	EUPO080180DP	EUPV080180	EURE080180
800 x 1800 x 600	EUTF080060	EUPO080180	EUPO080180DP	EUPV080180	EURE080180
800 x 1800 x 800	EUTF080080	EUPO080180	EUPO080180DP	EUPV080180	EURE080180
800 x 2000 x 400	EUTF080040	EUPO080200	EUPO080200DP	EUPV080200	EURE080200
800 x 2000 x 500	EUTF080050	EUPO080200	EUPO080200DP	EUPV080200	EURE080200
800 x 2000 x 600	EUTF080060	EUPO080200	EUPO080200DP	EUPV080200	EURE080200
800 x 2000 x 800	EUTF080080	EUPO080200	EUPO080200DP	EUPV080200	EURE080200
800 x 2200 x 500	EUTF080050	EUPO080220	EUPO080220DP	EUPV080220	EURE080220
800 x 2200 x 600	EUTF080060	EUPO080220	EUPO080220DP	EUPV080220	EURE080220
800 x 2200 x 800	EUTF080080	EUPO080220	EUPO080220DP	EUPV080220	EURE080220

FLAT-PACK CABINET

IMAGES ARE ONLY INTENDED TO ILLUSTRATE THE PRODUCT



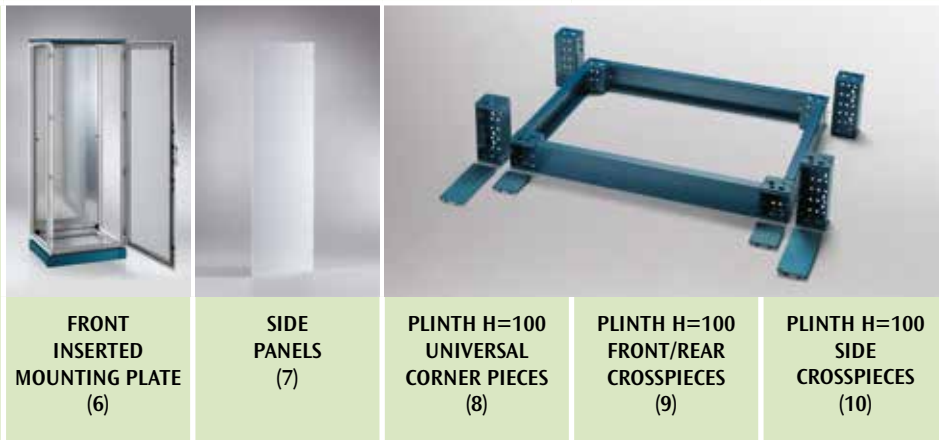
DIMENSIONS W x H x D	ROOF + BOTTOM	FRONT BLANK DOOR + FRONT UPRIGHTS	DOUBLE FRONT BLANK DOOR + FRONT UPRIGHTS	PLEXI DOOR + FRONT UPRIGHTS	REAR PANEL + REAR UPRIGHTS
1000 x 1600 x 400	EUTF100040	EUP0100160	EUP0100160DP	EUPV100160	EURE100160
1000 x 1600 x 500	EUTF100050	EUP0100160	EUP0100160DP	EUPV100160	EURE100160
1000 x 1600 x 600	EUTF100060	EUP0100160	EUP0100160DP	EUPV100160	EURE100160
1000 x 1800 x 400	EUTF100040	EUP0100180	EUP0100180DP	EUPV100180	EURE100180
1000 x 1800 x 500	EUTF100050	EUP0100180	EUP0100180DP	EUPV100180	EURE100180
1000 x 1800 x 600	EUTF100060	EUP0100180	EUP0100180DP	EUPV100180	EURE100180
1000 x 1800 x 800	EUTF100080	EUP0100180	EUP0100180DP	EUPV100180	EURE100180
1000 x 2000 x 400	EUTF100040	EUP0100200	EUP0100200DP	EUPV100200	EURE100200
1000 x 2000 x 500	EUTF100050	EUP0100200	EUP0100200DP	EUPV100200	EURE100200
1000 x 2000 x 600	EUTF100060	EUP0100200	EUP0100200DP	EUPV100200	EURE100200
1000 x 2000 x 800	EUTF100080	EUP0100200	EUP0100200DP	EUPV100200	EURE100200
1000 x 2200 x 500	EUTF100050	EUP0100220	EUP0100220DP	EUPV100220	EURE100220
1000 x 2200 x 600	EUTF100060	EUP0100220	EUP0100220DP	EUPV100220	EURE100220
1000 x 2200 x 800	EUTF100080	EUP0100220	EUP0100220DP	EUPV100220	EURE100220
1200 x 1400 x 400	EUTF120040		EUP0120140		EURE120140
1200 x 1400 x 500	EUTF120050		EUP0120140		EURE120140
1200 x 1600 x 400	EUTF120040		EUP0120160		EURE120160
1200 x 1600 x 500	EUTF120050		EUP0120160		EURE120160
1200 x 1600 x 600	EUTF120060		EUP0120160		EURE120160
1200 x 1800 x 400	EUTF120040		EUP0120180		EURE120180
1200 x 1800 x 500	EUTF120050		EUP0120180		EURE120180
1200 x 1800 x 600	EUTF120060		EUP0120180		EURE120180
1200 x 1800 x 800	EUTF120080		EUP0120180		EURE120180
1200 x 2000 x 400	EUTF120040		EUP0120200		EURE120200
1200 x 2000 x 500	EUTF120050		EUP0120200		EURE120200
1200 x 2000 x 600	EUTF120060		EUP0120200		EURE120200
1200 x 2000 x 800	EUTF120080		EUP0120200		EURE120200
1200 x 2200 x 500	EUTF120050		EUP0120220		EURE120220
1200 x 2200 x 600	EUTF120060		EUP0120220		EURE120220
1200 x 2200 x 800	EUTF120080		EUP0120220		EURE120220
1400 x 2000 x 400	EUTF140040		EUP0140200		EURE140200
1400 x 2000 x 500	EUTF140050		EUP0140200		EURE140200
1400 x 2000 x 600	EUTF140060		EUP0140200		EURE140200
1400 x 2000 x 800	EUTF140080		EUP0140200		EURE140200
1600 x 1400 x 400	EUTF160040		EUP0160140		EURE160140
1600 x 1400 x 500	EUTF160050		EUP0160140		EURE160140
1600 x 2000 x 400	EUTF160040		EUP0160200		EURE160200
1600 x 2000 x 500	EUTF160050		EUP0160200		EURE160200
1600 x 2000 x 600	EUTF160060		EUP0160200		EURE160200
1600 x 2000 x 800	EUTF160080		EUP0160200		EURE160200



ACCESSORIES TO COMPLETE THE CABINET

Suite

IMAGES ARE ONLY INTENDED TO ILLUSTRATE THE PRODUCT



DIMENSIONS W X H X D	FRONT INSERTED MOUNTING PLATE (6)	SIDE PANELS (7)	PLINTH H=100 UNIVERSAL CORNER PIECES (8)	PLINTH H=100 FRONT/REAR CROSSPIECES (9)	PLINTH H=100 SIDE CROSSPIECES (10)
200 x 1800 x 500					
200 x 2000 x 600					
300 x 1600 x 400		EUFI040160	EUZE-A100	EUZE-T0300	EUZE-T0400
300 x 1600 x 500		EUFI050160	EUZE-A100	EUZE-T0300	EUZE-T0500
300 x 1600 x 600		EUFI060160	EUZE-A100	EUZE-T0300	EUZE-T0600
300 x 1800 x 400		EUFI040180	EUZE-A100	EUZE-T0300	EUZE-T0400
300 x 1800 x 500		EUFI050180	EUZE-A100	EUZE-T0300	EUZE-T0500
300 x 1800 x 600		EUFI060180	EUZE-A100	EUZE-T0300	EUZE-T0600
300 x 1800 x 800		EUFI080180	EUZE-A100	EUZE-T0300	EUZE-T0800
300 x 2000 x 400		EUFI040200	EUZE-A100	EUZE-T0300	EUZE-T0400
300 x 2000 x 500		EUFI050200	EUZE-A100	EUZE-T0300	EUZE-T0500
300 x 2000 x 600		EUFI060200	EUZE-A100	EUZE-T0300	EUZE-T0600
300 x 2000 x 800		EUFI080200	EUZE-A100	EUZE-T0300	EUZE-T0800
300 x 2200 x 500		EUFI050220	EUZE-A100	EUZE-T0300	EUZE-T0500
300 x 2200 x 600		EUFI060220	EUZE-A100	EUZE-T0300	EUZE-T0600
300 x 2200 x 800		EUFI080220	EUZE-A100	EUZE-T0300	EUZE-T0800
400 x 1600 x 400	EUPA-040160	EUFI040160	EUZE-A100	EUZE-T0400	EUZE-T0400
400 x 1600 x 500	EUPA-040160	EUFI050160	EUZE-A100	EUZE-T0400	EUZE-T0500
400 x 1600 x 600	EUPA-040160	EUFI060160	EUZE-A100	EUZE-T0400	EUZE-T0600
400 x 1800 x 400	EUPA-040180	EUFI040180	EUZE-A100	EUZE-T0400	EUZE-T0400
400 x 1800 x 500	EUPA-040180	EUFI050180	EUZE-A100	EUZE-T0400	EUZE-T0500
400 x 1800 x 600	EUPA-040180	EUFI060180	EUZE-A100	EUZE-T0400	EUZE-T0600
400 x 1800 x 800	EUPA-040180	EUFI080180	EUZE-A100	EUZE-T0400	EUZE-T0800
400 x 2000 x 400	EUPA-040200	EUFI040200	EUZE-A100	EUZE-T0400	EUZE-T0400
400 x 2000 x 500	EUPA-040200	EUFI050200	EUZE-A100	EUZE-T0400	EUZE-T0500
400 x 2000 x 600	EUPA-040200	EUFI060200	EUZE-A100	EUZE-T0400	EUZE-T0600
400 x 2000 x 800	EUPA-040200	EUFI080200	EUZE-A100	EUZE-T0400	EUZE-T0800
400 x 2200 x 500	EUPA-040220	EUFI050220	EUZE-A100	EUZE-T0400	EUZE-T0500
400 x 2200 x 600	EUPA-040220	EUFI060220	EUZE-A100	EUZE-T0400	EUZE-T0600
400 x 2200 x 800	EUPA-040220	EUFI080220	EUZE-A100	EUZE-T0400	EUZE-T0800
600 x 1400 x 400	EUPA-060140	EUFI040140	EUZE-A100	EUZE-T0600	EUZE-T0400
600 x 1400 x 500	EUPA-060140	EUFI050140	EUZE-A100	EUZE-T0600	EUZE-T0500
600 x 1600 x 400	EUPA-060160	EUFI040160	EUZE-A100	EUZE-T0600	EUZE-T0400
600 x 1600 x 500	EUPA-060160	EUFI050160	EUZE-A100	EUZE-T0600	EUZE-T0500
600 x 1600 x 600	EUPA-060160	EUFI060160	EUZE-A100	EUZE-T0600	EUZE-T0600
600 x 1800 x 400	EUPA-060180	EUFI040180	EUZE-A100	EUZE-T0600	EUZE-T0400
600 x 1800 x 500	EUPA-060180	EUFI050180	EUZE-A100	EUZE-T0600	EUZE-T0500
600 x 1800 x 600	EUPA-060180	EUFI060180	EUZE-A100	EUZE-T0600	EUZE-T0600
600 x 1800 x 800	EUPA-060180	EUFI080180	EUZE-A100	EUZE-T0600	EUZE-T0800
600 x 2000 x 400	EUPA-060200	EUFI040200	EUZE-A100	EUZE-T0600	EUZE-T0400
600 x 2000 x 500	EUPA-060200	EUFI050200	EUZE-A100	EUZE-T0600	EUZE-T0500
600 x 2000 x 600	EUPA-060200	EUFI060200	EUZE-A100	EUZE-T0600	EUZE-T0600
600 x 2000 x 800	EUPA-060200	EUFI080200	EUZE-A100	EUZE-T0600	EUZE-T0800
600 x 2000 x 1000	EUPA-060200	EUFI100200	EUZE-A100	EUZE-T0600	EUZE-T1000
600 x 2200 x 500	EUPA-060220	EUFI050220	EUZE-A100	EUZE-T0600	EUZE-T0500
600 x 2200 x 600	EUPA-060220	EUFI060220	EUZE-A100	EUZE-T0600	EUZE-T0600
600 x 2200 x 800	EUPA-060220	EUFI080220	EUZE-A100	EUZE-T0600	EUZE-T0800

(6) to be ordered separately mounting accessories WTKB-002
 (7) supply includes 2 pieces

(8) supply includes 4 pieces
 (9) supply includes 2 pieces
 (10) supply includes 2 pieces



MAIN ACCESSORIES

DIMENSIONS W x H x D	CABLE ENTRY MODULE FRONT OPENING (11) (12)	CABLE ENTRY MODULE SIDE OPENING W=200/300	INTERMEDIATE PLATE	SIDE INSERTED MOUNTING PLATE	INNER DOOR	FAST FIXING BRACKETS H=25 MM (13)
200 x 1800 x 500		EURP021805				
200 x 2000 x 600		EURP022006				
300 x 1600 x 400	ENUX031604					
300 x 1600 x 500	ENUX031605					
300 x 1600 x 600	ENUX031606					
300 x 1800 x 400	ENUX031804					
300 x 1800 x 500	ENUX031805	EURP031805				
300 x 1800 x 600	ENUX031806	EURP031806				
300 x 1800 x 800	ENUX031808	EURP031808				
300 x 2000 x 400	ENUX032004					
300 x 2000 x 500	ENUX032005	EURP032005				
300 x 2000 x 600	ENUX032006	EURP032006				
300 x 2000 x 800	ENUX032008	EURP032008				
300 x 2200 x 500	ENUX032205					
300 x 2200 x 600	ENUX032206					
300 x 2200 x 800	ENUX032208					
400 x 1600 x 400			EUPN-001600	EUPL-040160		WTPR-025040R
400 x 1600 x 500			EUPN-001600	EUPL-040160		WTPR-025050R
400 x 1600 x 600			EUPN-001600	EUPL-040160		WTPR-025060R
400 x 1800 x 400			EUPN-001800	EUPL-040180		WTPR-025040R
400 x 1800 x 500			EUPN-001800	EUPL-040180		WTPR-025050R
400 x 1800 x 600			EUPN-001800	EUPL-040180		WTPR-025060R
400 x 1800 x 800			EUPN-001800	EUPL-040180		WTPR-025080R
400 x 2000 x 400			EUPN-002000	EUPL-040200		WTPR-025040R
400 x 2000 x 500			EUPN-002000	EUPL-040200		WTPR-025050R
400 x 2000 x 600			EUPN-002000	EUPL-040200		WTPR-025060R
400 x 2000 x 800			EUPN-002000	EUPL-040200		WTPR-025080R
400 x 2200 x 500			EUPN-002200	EUPL-040220		WTPR-025050R
400 x 2200 x 600			EUPN-002200	EUPL-040220		WTPR-025060R
400 x 2200 x 800			EUPN-002200	EUPL-040220		WTPR-025080R
600 x 1400 x 400			EUPN-001400	EUPL-060140	EUI060140	WTPR-025040R
600 x 1400 x 500			EUPN-001400	EUPL-060140	EUI060140	WTPR-025050R
600 x 1600 x 400			EUPN-001600	EUPL-060160	EUI060160	WTPR-025040R
600 x 1600 x 500			EUPN-001600	EUPL-060160	EUI060160	WTPR-025050R
600 x 1600 x 600			EUPN-001600	EUPL-060160	EUI060160	WTPR-025060R
600 x 1800 x 400			EUPN-001800	EUPL-060180	EUI060180	WTPR-025040R
600 x 1800 x 500			EUPN-001800	EUPL-060180	EUI060180	WTPR-025050R
600 x 1800 x 600			EUPN-001800	EUPL-060180	EUI060180	WTPR-025060R
600 x 1800 x 800			EUPN-001800	EUPL-060180	EUI060180	WTPR-025080R
600 x 2000 x 400			EUPN-002000	EUPL-060200	EUI060200	WTPR-025040R
600 x 2000 x 500			EUPN-002000	EUPL-060200	EUI060200	WTPR-025050R
600 x 2000 x 600			EUPN-002000	EUPL-060200	EUI060200	WTPR-025060R
600 x 2000 x 800			EUPN-002000	EUPL-060200	EUI060200	WTPR-025080R
600 x 2000 x 1000			EUPN-002000	EUPL-060200	EUI060200	WTPR-025100R
600 x 2200 x 500			EUPN-002200	EUPL-060220	EUI060220	WTPR-025050R
600 x 2200 x 600			EUPN-002200	EUPL-060220	EUI060220	WTPR-025060R
600 x 2200 x 800			EUPN-002200	EUPL-060220	EUI060220	WTPR-025080R

(11) for the flat-pack version, see page 45

(12) supply includes cabinet frame, front door and rear panel. To be ordered separately plinth, side panels and eyebolts WTGS-001

(13) supply includes 4 pieces

Suite

ACCESSORIES TO COMPLETE THE CABINET

DIMENSIONS W x H x D	IMAGES ARE ONLY INTENDED TO ILLUSTRATE THE PRODUCT				
	FRONT INSERTED MOUNTING PLATE (6)	SIDE PANELS (7)	PLINTH H=100 UNIVERSAL CORNER PIECES (8)	PLINTH H=100 FRONT/REAR CROSSPIECES (9)	PLINTH H=100 SIDE CROSSPIECES (10)
800 x 1400 x 400	EUPA-080140	EUF1040140	EUZE-A100	EUZE-T0800	EUZE-T0400
800 x 1400 x 500	EUPA-080140	EUF1050140	EUZE-A100	EUZE-T0800	EUZE-T0500
800 x 1600 x 400	EUPA-080160	EUF1040160	EUZE-A100	EUZE-T0800	EUZE-T0400
800 x 1600 x 500	EUPA-080160	EUF1050160	EUZE-A100	EUZE-T0800	EUZE-T0500
800 x 1600 x 600	EUPA-080160	EUF1060160	EUZE-A100	EUZE-T0800	EUZE-T0600
800 x 1800 x 400	EUPA-080180	EUF1040180	EUZE-A100	EUZE-T0800	EUZE-T0400
800 x 1800 x 500	EUPA-080180	EUF1050180	EUZE-A100	EUZE-T0800	EUZE-T0500
800 x 1800 x 600	EUPA-080180	EUF1060180	EUZE-A100	EUZE-T0800	EUZE-T0600
800 x 1800 x 800	EUPA-080180	EUF1080180	EUZE-A100	EUZE-T0800	EUZE-T0800
800 x 2000 x 400	EUPA-080200	EUF1040200	EUZE-A100	EUZE-T0800	EUZE-T0400
800 x 2000 x 500	EUPA-080200	EUF1050200	EUZE-A100	EUZE-T0800	EUZE-T0500
800 x 2000 x 600	EUPA-080200	EUF1060200	EUZE-A100	EUZE-T0800	EUZE-T0600
800 x 2000 x 800	EUPA-080200	EUF1080200	EUZE-A100	EUZE-T0800	EUZE-T0800
800 x 2000 x 1000	EUPA-080200	EUF1100200	EUZE-A100	EUZE-T0800	EUZE-T1000
800 x 2200 x 500	EUPA-080220	EUF1050220	EUZE-A100	EUZE-T0800	EUZE-T0500
800 x 2200 x 600	EUPA-080220	EUF1060220	EUZE-A100	EUZE-T0800	EUZE-T0600
800 x 2200 x 800	EUPA-080220	EUF1080220	EUZE-A100	EUZE-T0800	EUZE-T0800
1000 x 1600 x 400	EUPA-100160	EUF1040160	EUZE-A100	EUZE-T1000	EUZE-T0400
1000 x 1600 x 500	EUPA-100160	EUF1050160	EUZE-A100	EUZE-T1000	EUZE-T0500
1000 x 1600 x 600	EUPA-100160	EUF1060160	EUZE-A100	EUZE-T1000	EUZE-T0600
1000 x 1800 x 400	EUPA-100180	EUF1040180	EUZE-A100	EUZE-T1000	EUZE-T0400
1000 x 1800 x 500	EUPA-100180	EUF1050180	EUZE-A100	EUZE-T1000	EUZE-T0500
1000 x 1800 x 600	EUPA-100180	EUF1060180	EUZE-A100	EUZE-T1000	EUZE-T0600
1000 x 1800 x 800	EUPA-100180	EUF1080180	EUZE-A100	EUZE-T1000	EUZE-T0800
1000 x 2000 x 400	EUPA-100200	EUF1040200	EUZE-A100	EUZE-T1000	EUZE-T0400
1000 x 2000 x 500	EUPA-100200	EUF1050200	EUZE-A100	EUZE-T1000	EUZE-T0500
1000 x 2000 x 600	EUPA-100200	EUF1060200	EUZE-A100	EUZE-T1000	EUZE-T0600
1000 x 2000 x 800	EUPA-100200	EUF1080200	EUZE-A100	EUZE-T1000	EUZE-T0800
1000 x 2200 x 500	EUPA-100220	EUF1050220	EUZE-A100	EUZE-T1000	EUZE-T0500
1000 x 2200 x 600	EUPA-100220	EUF1060220	EUZE-A100	EUZE-T1000	EUZE-T0600
1000 x 2200 x 800	EUPA-100220	EUF1080220	EUZE-A100	EUZE-T1000	EUZE-T0800

(6) to be ordered separately mounting accessories WTKB-002
 (7) supply includes 2 pieces

(8) supply includes 4 pieces
 (9) supply includes 2 pieces
 (10) supply includes 2 pieces

MAIN ACCESSORIES

Suite

IMAGES ARE ONLY INTENDED TO ILLUSTRATE THE PRODUCT						
DIMENSIONS W x H x D	CABLE ENTRY MODULE FRONT OPENING (11) (12)	CABLE ENTRY MODULE SIDE OPENING W=200/300	INTERMEDIATE PLATE	SIDE INSERTED MOUNTING PLATE	INNER DOOR	FAST FIXING BRACKETS H=25 MM (13)
800 x 1400 x 400			EUPN-001400	EUPL-080140	EUPI080140	WTPR-025040R
800 x 1400 x 500			EUPN-001400	EUPL-080140	EUPI080140	WTPR-025050R
800 x 1600 x 400			EUPN-001600	EUPL-080160	EUPI080160	WTPR-025040R
800 x 1600 x 500			EUPN-001600	EUPL-080160	EUPI080160	WTPR-025050R
800 x 1600 x 600			EUPN-001600	EUPL-080160	EUPI080160	WTPR-025060R
800 x 1800 x 400			EUPN-001800	EUPL-080180	EUPI080180	WTPR-025040R
800 x 1800 x 500			EUPN-001800	EUPL-080180	EUPI080180	WTPR-025050R
800 x 1800 x 600			EUPN-001800	EUPL-080180	EUPI080180	WTPR-025060R
800 x 1800 x 800			EUPN-001800	EUPL-080180	EUPI080180	WTPR-025080R
800 x 2000 x 400			EUPN-002000	EUPL-080200	EUPI080200	WTPR-025040R
800 x 2000 x 500			EUPN-002000	EUPL-080200	EUPI080200	WTPR-025050R
800 x 2000 x 600			EUPN-002000	EUPL-080200	EUPI080200	WTPR-025060R
800 x 2000 x 800			EUPN-002000	EUPL-080200	EUPI080200	WTPR-025080R
800 x 2200 x 500			EUPN-002200	EUPL-080220	EUPI080220	WTPR-025050R
800 x 2200 x 600			EUPN-002200	EUPL-080220	EUPI080220	WTPR-025060R
800 x 2200 x 800			EUPN-002200	EUPL-080220	EUPI080220	WTPR-025080R
1000 x 1600 x 400			EUPN-001600	EUPL-100160	EUPI100160	WTPR-025040R
1000 x 1600 x 500			EUPN-001600	EUPL-100160	EUPI100160	WTPR-025050R
1000 x 1600 x 600			EUPN-001600	EUPL-100160	EUPI100160	WTPR-025060R
1000 x 1800 x 400			EUPN-001800	EUPL-100180	EUPI100180	WTPR-025040R
1000 x 1800 x 500			EUPN-001800	EUPL-100180	EUPI100180	WTPR-025050R
1000 x 1800 x 600			EUPN-001800	EUPL-100180	EUPI100180	WTPR-025060R
1000 x 1800 x 800			EUPN-001800	EUPL-100180	EUPI100180	WTPR-025080R
1000 x 2000 x 400			EUPN-002000	EUPL-100200	EUPI100200	WTPR-025040R
1000 x 2000 x 500			EUPN-002000	EUPL-100200	EUPI100200	WTPR-025050R
1000 x 2000 x 600			EUPN-002000	EUPL-100200	EUPI100200	WTPR-025060R
1000 x 2000 x 800			EUPN-002000	EUPL-100200	EUPI100200	WTPR-025080R
1000 x 2200 x 500			EUPN-002200	EUPL-100220	EUPI100220	WTPR-025050R
1000 x 2200 x 600			EUPN-002200	EUPL-100220	EUPI100220	WTPR-025060R
1000 x 2200 x 800			EUPN-002200	EUPL-100220	EUPI100220	WTPR-025080R

(11) for the flat-pack version, see page 45

(12) supply includes cabinet frame, front door and rear panel. To be ordered separately plinth, side panels and eyebolts WTGS-001

(13) supply includes 4 pieces

Suite

ACCESSORIES TO COMPLETE THE CABINET

DIMENSIONS W x H x D	IMAGES ARE ONLY INTENDED TO ILLUSTRATE THE PRODUCT				
	FRONT INSERTED MOUNTING PLATE (6)	SIDE PANELS (7)	PLINTH H=100 UNIVERSAL CORNER PIECES (8)	PLINTH H=100 FRONT/REAR CROSSPIECES (9)	PLINTH H=100 SIDE CROSSPIECES (10)
1200 x 1400 x 400	EUPA-120140	EUF1040140	EUZE-A100	EUZE-T1200	EUZE-T0400
1200 x 1400 x 500	EUPA-120140	EUF1050140	EUZE-A100	EUZE-T1200	EUZE-T0500
1200 x 1600 x 400	EUPA-120160	EUF1040160	EUZE-A100	EUZE-T1200	EUZE-T0400
1200 x 1600 x 500	EUPA-120160	EUF1050160	EUZE-A100	EUZE-T1200	EUZE-T0500
1200 x 1600 x 600	EUPA-120160	EUF1060160	EUZE-A100	EUZE-T1200	EUZE-T0600
1200 x 1800 x 400	EUPA-120180	EUF1040180	EUZE-A100	EUZE-T1200	EUZE-T0400
1200 x 1800 x 500	EUPA-120180	EUF1050180	EUZE-A100	EUZE-T1200	EUZE-T0500
1200 x 1800 x 600	EUPA-120180	EUF1060180	EUZE-A100	EUZE-T1200	EUZE-T0600
1200 x 1800 x 800	EUPA-120180	EUF1080180	EUZE-A100	EUZE-T1200	EUZE-T0800
1200 x 2000 x 400	EUPA-120200	EUF1040200	EUZE-A100	EUZE-T1200	EUZE-T0400
1200 x 2000 x 500	EUPA-120200	EUF1050200	EUZE-A100	EUZE-T1200	EUZE-T0500
1200 x 2000 x 600	EUPA-120200	EUF1060200	EUZE-A100	EUZE-T1200	EUZE-T0600
1200 x 2000 x 800	EUPA-120200	EUF1080200	EUZE-A100	EUZE-T1200	EUZE-T0800
1200 x 2000 x 1000	EUPA-120200	EUF1100200	EUZE-A100	EUZE-T1200	EUZE-T1000
1200 x 2200 x 500	EUPA-120220	EUF1050220	EUZE-A100	EUZE-T1200	EUZE-T0500
1200 x 2200 x 600	EUPA-120220	EUF1060220	EUZE-A100	EUZE-T1200	EUZE-T0600
1200 x 2200 x 800	EUPA-120220	EUF1080220	EUZE-A100	EUZE-T1200	EUZE-T0800
1400 x 2000 x 400	EUPA-140200	EUF1040200	EUZE-A100	EUZE-T1400	EUZE-T0400
1400 x 2000 x 500	EUPA-140200	EUF1050200	EUZE-A100	EUZE-T1400	EUZE-T0500
1400 x 2000 x 600	EUPA-140200	EUF1060200	EUZE-A100	EUZE-T1400	EUZE-T0600
1400 x 2000 x 800	EUPA-140200	EUF1080200	EUZE-A100	EUZE-T1400	EUZE-T0800
1600 x 1400 x 400	EUPA-160140	EUF1040140	EUZE-A100	EUZE-T1600	EUZE-T0400
1600 x 1400 x 500	EUPA-160140	EUF1050140	EUZE-A100	EUZE-T1600	EUZE-T0500
1600 x 2000 x 400	EUPA-160200	EUF1040200	EUZE-A100	EUZE-T1600	EUZE-T0400
1600 x 2000 x 500	EUPA-160200	EUF1050200	EUZE-A100	EUZE-T1600	EUZE-T0500
1600 x 2000 x 600	EUPA-160200	EUF1060200	EUZE-A100	EUZE-T1600	EUZE-T0600
1600 x 2000 x 800	EUPA-160200	EUF1080200	EUZE-A100	EUZE-T1600	EUZE-T0800

(6) to be ordered separately mounting accessories WTKB-002

(7) supply includes 2 pieces

(8) supply includes 4 pieces

(9) supply includes 2 pieces

(10) supply includes 2 pieces

MAIN ACCESSORIES

Suite

IMAGES ARE ONLY INTENDED TO ILLUSTRATE THE PRODUCT						
DIMENSIONS W x H x D	CABLE ENTRY MODULE FRONT OPENING (11) (12)	CABLE ENTRY MODULE SIDE OPENING W=200/300	INTERMEDIATE PLATE	SIDE INSERTED MOUNTING PLATE	INNER DOOR	FAST FIXING BRACKETS H=25 MM (13)
1200 x 1400 x 400			EUPN-001400	EUPL-120140		WTPR-025040R
1200 x 1400 x 500			EUPN-001400	EUPL-120140		WTPR-025050R
1200 x 1600 x 400			EUPN-001600	EUPL-120160		WTPR-025040R
1200 x 1600 x 500			EUPN-001600	EUPL-120160		WTPR-025050R
1200 x 1600 x 600			EUPN-001600	EUPL-120160		WTPR-025060R
1200 x 1800 x 400			EUPN-001800	EUPL-120180		WTPR-025040R
1200 x 1800 x 500			EUPN-001800	EUPL-120180		WTPR-025050R
1200 x 1800 x 600			EUPN-001800	EUPL-120180		WTPR-025060R
1200 x 1800 x 800			EUPN-001800	EUPL-120180		WTPR-025080R
1200 x 2000 x 400			EUPN-002000	EUPL-120200		WTPR-025040R
1200 x 2000 x 500			EUPN-002000	EUPL-120200		WTPR-025050R
1200 x 2000 x 600			EUPN-002000	EUPL-120200		WTPR-025060R
1200 x 2000 x 800			EUPN-002000	EUPL-120200		WTPR-025080R
1200 x 2000 x 1000			EUPN-002000	EUPL-120200		WTPR-025100R
1200 x 2200 x 500			EUPN-002200	EUPL-120220		WTPR-025050R
1200 x 2200 x 600			EUPN-002200	EUPL-120220		WTPR-025060R
1200 x 2200 x 800			EUPN-002200	EUPL-120220		WTPR-025080R
1400 x 2000 x 400			EUPN-002000	EUPL-140200		WTPR-025040R
1400 x 2000 x 500			EUPN-002000	EUPL-140200		WTPR-025050R
1400 x 2000 x 600			EUPN-002000	EUPL-140200		WTPR-025060R
1400 x 2000 x 800			EUPN-002000	EUPL-140200		WTPR-025080R
1600 x 1400 x 400			EUPN-001400	EUPL-160140		WTPR-025040R
1600 x 1400 x 500			EUPN-001400	EUPL-160140		WTPR-025050R
1600 x 2000 x 400			EUPN-002000	EUPL-160200		WTPR-025040R
1600 x 2000 x 500			EUPN-002000	EUPL-160200		WTPR-025050R
1600 x 2000 x 600			EUPN-002000	EUPL-160200		WTPR-025060R
1600 x 2000 x 800			EUPN-002000	EUPL-160200		WTPR-025080R

(11) for the flat-pack version, see page 45

(12) supply includes cabinet frame, front door and rear panel. To be ordered separately plinth, side panels and eyebolts WTGS-001

(13) supply includes 4 pieces



Suite



RAL 7035



RAL 5020



E NUX accessories, see page 47

EUPA front inserted mounting plate, see page 49

EUFI side panels, see page 58

EUZE modular plinth, see page 62

WTGS-001 eyebolts, see page 76

CHARACTERISTICS

The profile used for uprights and crosspieces is unique, manufactured from high-strength low-alloy sheet steel, closed with continuous fiber laser welding and free of sharp edges. The bottom is a single piece with box-type structure manufactured from press-bent fiber laser-MIG hybrid welded profiles manufactured from high-strength low-alloy sheet steel. The frame corners are manufactured with orthogonal joints laser welded to vertical upright rails and horizontal rails for the roof and bottom. Only 8 high-resistance screws are necessary to mount the structure, while two position pins allow the easy mounting of the two parts of the joint.

PAINT FINISH

ETA standard finishing cycle: paint-based primer with deposition by cathoresis with epoxy resin and finishing using thermosetting powders:

- structure: RAL 7035 smooth finish
- door and rear panel: RAL 7035 textured finish
- roof: RAL 5020 textured finish.



ASSEMBLED E NUX CABINET

- structure manufactured from high-strength low-alloy sheet steel
- door manufactured from sheet steel with stiffening frame, complete with Ø 3 mm lever-operated double bar locking system
- rear panel manufactured from sheet steel with rounded folding
- removable roof manufactured from sheet steel
- bottom manufactured from high-strength low-alloy sheet steel with adjustable cable entry (double cable entry for W=1000), complete with seal supplied separately.

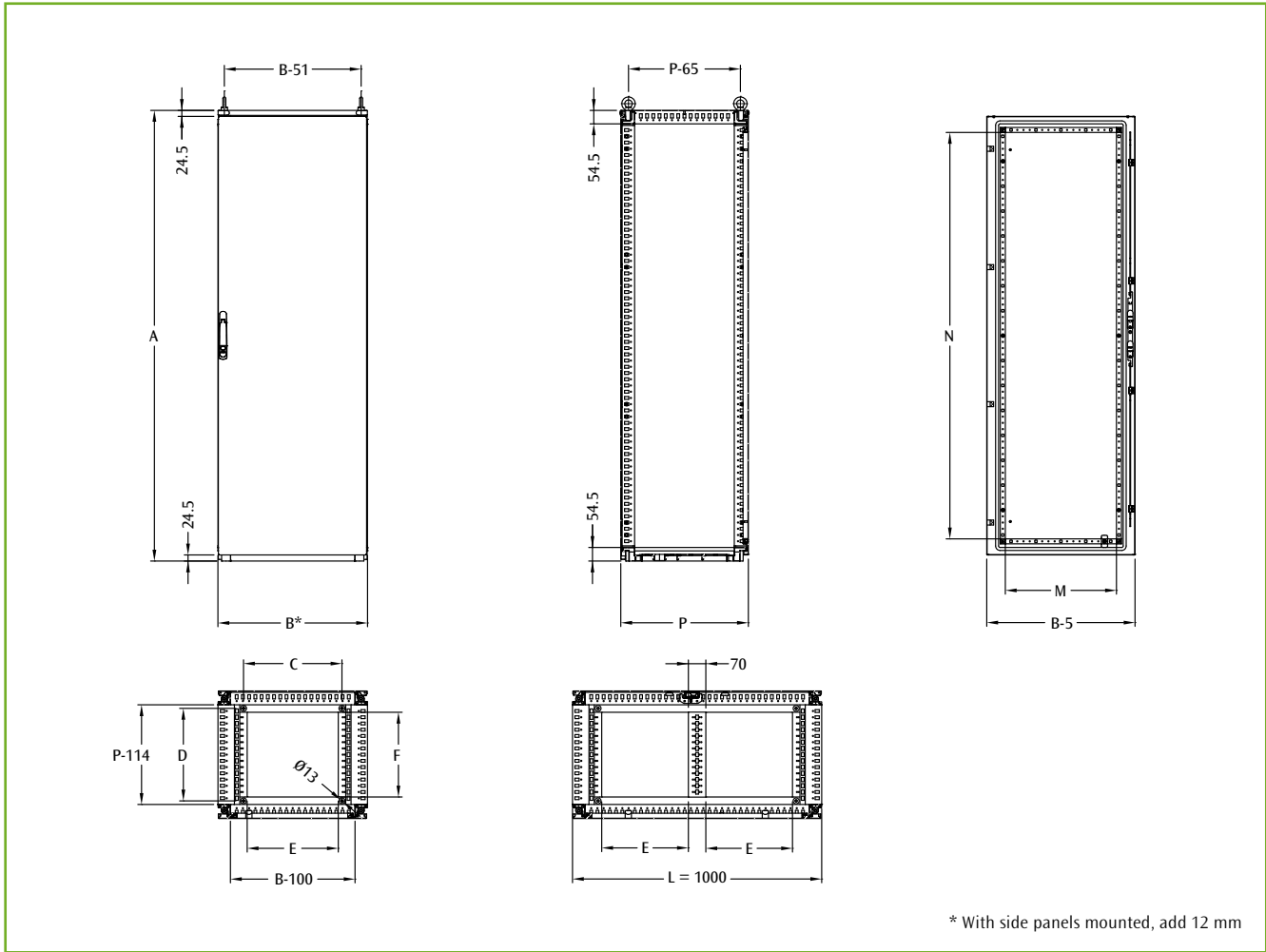
FLAT-PACK E NUX CABINET (ASSEMBLY WITH 8 SCREWS ONLY)

- composition to be assembled complying with customers requests
- panels and doors are supplied together with two vertical uprights complete with accessories.

PROTECTION RATING

- IP55 complying with IEC EN62208; EN60529
- NEMA 12 complying with UL508A; UL50
- protection degree guaranteed by the two-component polyurethane foam seal
- impact resistance IK10 complying with IEC EN62208; EN62262.

For further information, see the Technical section page 349.



* With side panels mounted, add 12 mm

🔍 For W=400, only stiffening vertical profiles.

Suite

DIMENSIONAL SPECIFICATIONS											
DIMENSIONS			CABINET DIMENSIONS			FLOOR FIXING		CABLE ENTRY		DOOR SPACE	
WIDTH	HEIGHT	DEPTH	B*	A	P	C	D	E	F	M	N
400	1600	400	400	1609	414	195	271	165	240	245	-
400	1600	500	400	1609	514	195	371	165	340	245	-
400	1600	600	400	1609	614	195	471	165	440	245	-
400	1800	400	400	1809	414	195	271	165	240	245	-
400	1800	500	400	1809	514	195	371	165	340	245	-
400	1800	600	400	1809	614	195	471	165	440	245	-
400	1800	800	400	1809	814	195	671	165	640	245	-
400	2000	400	400	2009	414	195	271	165	240	245	-
400	2000	500	400	2009	514	195	371	165	340	245	-
400	2000	600	400	2009	614	195	471	165	440	245	-
400	2000	800	400	2009	814	195	671	165	640	245	-
400	2200	500	400	2209	514	195	371	165	340	245	-
400	2200	600	400	2209	614	195	471	165	440	245	-
400	2200	800	400	2209	814	195	671	165	640	245	-
600	1400	400	600	1409	414	395	271	365	240	445	1230
600	1400	500	600	1409	514	395	371	365	340	445	1230
600	1600	400	600	1609	414	395	271	365	240	445	1430
600	1600	500	600	1609	514	395	371	365	340	445	1430
600	1600	600	600	1609	614	395	471	365	440	445	1430
600	1600	800	600	1609	814	395	671	365	640	445	1430
600	1800	400	600	1809	414	395	271	365	240	445	1630
600	1800	500	600	1809	514	395	371	365	340	445	1630
600	1800	600	600	1809	614	395	471	365	440	445	1630
600	1800	800	600	1809	814	395	671	365	640	445	1630
600	2000	400	600	2009	414	395	271	365	240	445	1830
600	2000	500	600	2009	514	395	371	365	340	445	1830
600	2000	600	600	2009	614	395	471	365	440	445	1830
600	2000	800	600	2009	814	395	671	365	640	445	1830
600	2000	1000	600	2009	1014	395	871	365	840	445	1830
600	2200	500	600	2209	514	395	371	365	340	445	2030
600	2200	600	600	2209	614	395	471	365	440	445	2030
600	2200	800	600	2209	814	395	671	365	640	445	2030
800	1400	400	800	1409	414	595	271	565	240	645	1230
800	1400	500	800	1409	514	595	371	565	340	645	1230
800	1600	400	800	1609	414	595	271	565	240	645	1430
800	1600	500	800	1609	514	595	371	565	340	645	1430
800	1600	600	800	1609	614	595	471	565	440	645	1430
800	1800	400	800	1809	414	595	271	565	240	645	1630
800	1800	500	800	1809	514	595	371	565	340	645	1630
800	1800	600	800	1809	614	595	471	565	440	645	1630
800	1800	800	800	1809	814	595	671	565	640	645	1630
800	2000	400	800	2009	414	595	271	565	240	645	1830
800	2000	500	800	2009	514	595	371	565	340	645	1830
800	2000	600	800	2009	614	595	471	565	440	645	1830
800	2000	800	800	2009	814	595	671	565	640	645	1830
800	2000	1000	800	2009	1014	595	871	565	840	645	1830
800	2200	500	800	2209	514	595	371	565	340	645	2030
800	2200	600	800	2209	614	595	471	565	440	645	2030
800	2200	800	800	2209	814	595	671	565	640	645	2030
1000	1600	400	1000	1609	414	795	271	347	240	845	1430
1000	1600	500	1000	1609	514	795	371	347	340	845	1430
1000	1600	600	1000	1609	614	795	471	347	440	845	1430
1000	1800	400	1000	1809	414	795	271	347	240	845	1630
1000	1800	500	1000	1809	514	795	371	347	340	845	1630
1000	1800	600	1000	1809	614	795	471	347	440	845	1630
1000	1800	800	1000	1809	814	795	671	347	640	845	1630
1000	2000	400	1000	2009	414	795	271	347	240	845	1830
1000	2000	500	1000	2009	514	795	371	347	340	845	1830
1000	2000	600	1000	2009	614	795	471	347	440	845	1830
1000	2000	800	1000	2009	814	795	671	347	640	845	1830
1000	2200	500	1000	2209	514	795	371	347	340	845	2030
1000	2200	600	1000	2209	614	795	471	347	440	845	2030
1000	2200	800	1000	2209	814	795	671	347	640	845	2030

400			CODES FOR ASSEMBLED CABINET		
CABINET DIMENSIONS			CABINET WITH FRONT BLANK DOOR	CABINET WITH FRONT BLANK DOOR	
WIDTH	HEIGHT	DEPTH	+ REAR PANEL	+ REAR DOOR	
400	1600	400	ENUX041604PR	ENUX041604DP	
400	1600	500	ENUX041605PR	ENUX041605DP	
400	1600	600	ENUX041606PR	ENUX041606DP	
400	1800	400	ENUX041804PR	ENUX041804DP	
400	1800	500	ENUX041805PR	ENUX041805DP	
400	1800	600	ENUX041806PR	ENUX041806DP	
400	1800	800	ENUX041808PR	ENUX041808DP	
400	2000	400	ENUX042004PR	ENUX042004DP	
400	2000	500	ENUX042005PR	ENUX042005DP	
400	2000	600	ENUX042006PR	ENUX042006DP	
400	2000	800	ENUX042008PR	ENUX042008DP	
400	2200	500	ENUX042205PR	ENUX042205DP	
400	2200	600	ENUX042206PR	ENUX042206DP	
400	2200	800	ENUX042208PR	ENUX042208DP	

400			CODES FOR FLAT-PACK CABINET		
CABINET DIMENSIONS			ROOF + BOTTOM	BLANK DOOR	REAR PANEL
WIDTH	HEIGHT	DEPTH		+ FRONT UPRIGHTS	+ REAR UPRIGHTS
400	1600	400	EUTF040040	EUP0040160	EURE040160
400	1600	500	EUTF040050	EUP0040160	EURE040160
400	1600	600	EUTF040060	EUP0040160	EURE040160
400	1800	400	EUTF040040	EUP0040180	EURE040180
400	1800	500	EUTF040050	EUP0040180	EURE040180
400	1800	600	EUTF040060	EUP0040180	EURE040180
400	1800	800	EUTF040080	EUP0040180	EURE040180
400	2000	400	EUTF040040	EUP0040200	EURE040200
400	2000	500	EUTF040050	EUP0040200	EURE040200
400	2000	600	EUTF040060	EUP0040200	EURE040200
400	2000	800	EUTF040080	EUP0040200	EURE040200
400	2200	500	EUTF040050	EUP0040220	EURE040220
400	2200	600	EUTF040060	EUP0040220	EURE040220
400	2200	800	EUTF040080	EUP0040220	EURE040220

Suite

600			CODES FOR ASSEMBLED CABINET		
CABINET DIMENSIONS			CABINET WITH FRONT BLANK DOOR	CABINET WITH FRONT PLEXI DOOR	CABINET WITH FRONT BLANK DOOR
WIDTH	HEIGHT	DEPTH	+ REAR PANEL	+ REAR PANEL	+ REAR DOOR
600	1400	400	ENUX061404PR	ENUX061404PV	ENUX061404DP
600	1400	500	ENUX061405PR	ENUX061405PV	ENUX061405DP
600	1600	400	ENUX061604PR	ENUX061604PV	ENUX061604DP
600	1600	500	ENUX061605PR	ENUX061605PV	ENUX061605DP
600	1600	600	ENUX061606PR	ENUX061606PV	ENUX061606DP
600	1800	400	ENUX061804PR	ENUX061804PV	ENUX061804DP
600	1800	500	ENUX061805PR	ENUX061805PV	ENUX061805DP
600	1800	600	ENUX061806PR	ENUX061806PV	ENUX061806DP
600	1800	800	ENUX061808PR	ENUX061808PV	ENUX061808DP
600	2000	400	ENUX062004PR	ENUX062004PV	ENUX062004DP
600	2000	500	ENUX062005PR	ENUX062005PV	ENUX062005DP
600	2000	600	ENUX062006PR	ENUX062006PV	ENUX062006DP
600	2000	800	ENUX062008PR	ENUX062008PV	ENUX062008DP
600	2000	1000	ENUX062010PR	—	—
600	2200	500	ENUX062205PR	ENUX062205PV	ENUX062205DP
600	2200	600	ENUX062206PR	ENUX062206PV	ENUX062206DP
600	2200	800	ENUX062208PR	ENUX062208PV	ENUX062208DP

600			CODES FOR FLAT-PACK CABINET			
CABINET DIMENSIONS			ROOF + BOTTOM	BLANK DOOR	PLEXI DOOR	REAR PANEL
WIDTH	HEIGHT	DEPTH		+ FRONT UPRIGHTS	+ FRONT UPRIGHTS	+ REAR UPRIGHTS
600	1400	400	EUTF060040	EUPO060140	EUPV060140	EURE060140
600	1400	500	EUTF060050	EUPO060140	EUPV060140	EURE060140
600	1600	400	EUTF060040	EUPO060160	EUPV060160	EURE060160
600	1600	500	EUTF060050	EUPO060160	EUPV060160	EURE060160
600	1600	600	EUTF060060	EUPO060160	EUPV060160	EURE060160
600	1800	400	EUTF060040	EUPO060180	EUPV060180	EURE060180
600	1800	500	EUTF060050	EUPO060180	EUPV060180	EURE060180
600	1800	600	EUTF060060	EUPO060180	EUPV060180	EURE060180
600	1800	800	EUTF060080	EUPO060180	EUPV060180	EURE060180
600	2000	400	EUTF060040	EUPO060200	EUPV060200	EURE060200
600	2000	500	EUTF060050	EUPO060200	EUPV060200	EURE060200
600	2000	600	EUTF060060	EUPO060200	EUPV060200	EURE060200
600	2000	800	EUTF060080	EUPO060200	EUPV060200	EURE060200
600	2200	500	EUTF060050	EUPO060220	EUPV060220	EURE060220
600	2200	600	EUTF060060	EUPO060220	EUPV060220	EURE060220
600	2200	800	EUTF060080	EUPO060220	EUPV060220	EURE060220

800			CODES FOR ASSEMBLED CABINET		
CABINET DIMENSIONS			CABINET WITH FRONT BLANK DOOR	CABINET WITH FRONT PLEXI DOOR	CABINET WITH FRONT BLANK DOOR
WIDTH	HEIGHT	DEPTH	+ REAR PANEL	+ REAR PANEL	+ REAR DOOR
800	1400	400	ENUX081404PR	ENUX081404PV	ENUX081404DP
800	1400	500	ENUX081405PR	ENUX081405PV	ENUX081405DP
800	1600	400	ENUX081604PR	ENUX081604PV	ENUX081604DP
800	1600	500	ENUX081605PR	ENUX081605PV	ENUX081605DP
800	1600	600	ENUX081606PR	ENUX081606PV	ENUX081606DP
800	1800	400	ENUX081804PR	ENUX081804PV	ENUX081804DP
800	1800	500	ENUX081805PR	ENUX081805PV	ENUX081805DP
800	1800	600	ENUX081806PR	ENUX081806PV	ENUX081806DP
800	1800	800	ENUX081808PR	ENUX081808PV	ENUX081808DP
800	2000	400	ENUX082004PR	ENUX082004PV	ENUX082004DP
800	2000	500	ENUX082005PR	ENUX082005PV	ENUX082005DP
800	2000	600	ENUX082006PR	ENUX082006PV	ENUX082006DP
800	2000	800	ENUX082008PR	ENUX082008PV	ENUX082008DP
800	2000	1000	ENUX082010PR	—	—
800	2200	500	ENUX082205PR	ENUX082205PV	ENUX082205DP
800	2200	600	ENUX082206PR	ENUX082206PV	ENUX082206DP
800	2200	800	ENUX082208PR	ENUX082208PV	ENUX082208DP

800			CODES FOR FLAT-PACK CABINET			
CABINET DIMENSIONS			ROOF + BOTTOM	BLANK DOOR	PLEXI DOOR	REAR PANEL
WIDTH	HEIGHT	DEPTH		+ FRONT UPRIGHTS	+ FRONT UPRIGHTS	+ REAR UPRIGHTS
800	1400	400	EUTF080040	EUP0080140	EUPV080140	EURE080140
800	1400	500	EUTF080050	EUP0080140	EUPV080140	EURE080140
800	1600	400	EUTF080040	EUP0080160	EUPV080160	EURE080160
800	1600	500	EUTF080050	EUP0080160	EUPV080160	EURE080160
800	1600	600	EUTF080060	EUP0080160	EUPV080160	EURE080160
800	1800	400	EUTF080040	EUP0080180	EUPV080180	EURE080180
800	1800	500	EUTF080050	EUP0080180	EUPV080180	EURE080180
800	1800	600	EUTF080060	EUP0080180	EUPV080180	EURE080180
800	1800	800	EUTF080080	EUP0080180	EUPV080180	EURE080180
800	2000	400	EUTF080040	EUP0080200	EUPV080200	EURE080200
800	2000	500	EUTF080050	EUP0080200	EUPV080200	EURE080200
800	2000	600	EUTF080060	EUP0080200	EUPV080200	EURE080200
800	2000	800	EUTF080080	EUP0080200	EUPV080200	EURE080200
800	2200	500	EUTF080050	EUP0080220	EUPV080220	EURE080220
800	2200	600	EUTF080060	EUP0080220	EUPV080220	EURE080220
800	2200	800	EUTF080080	EUP0080220	EUPV080220	EURE080220

Suite

1000			CODES FOR ASSEMBLED CABINET		
CABINET DIMENSIONS			CABINET WITH FRONT BLANK DOOR	CABINET WITH FRONT PLEXI DOOR	CABINET WITH FRONT BLANK DOOR
WIDTH	HEIGHT	DEPTH	+ REAR PANEL	+ REAR PANEL	+ REAR DOOR
1000	1600	400	ENUX101604PR	ENUX101604PV	ENUX101604DP
1000	1600	500	ENUX101605PR	ENUX101605PV	ENUX101605DP
1000	1600	600	ENUX101606PR	ENUX101606PV	ENUX101606DP
1000	1800	400	ENUX101804PR	ENUX101804PV	ENUX101804DP
1000	1800	500	ENUX101805PR	ENUX101805PV	ENUX101805DP
1000	1800	600	ENUX101806PR	ENUX101806PV	ENUX101806DP
1000	1800	800	ENUX101808PR	ENUX101808PV	ENUX101808DP
1000	2000	400	ENUX102004PR	ENUX102004PV	ENUX102004DP
1000	2000	500	ENUX102005PR	ENUX102005PV	ENUX102005DP
1000	2000	600	ENUX102006PR	ENUX102006PV	ENUX102006DP
1000	2000	800	ENUX102008PR	ENUX102008PV	ENUX102008DP
1000	2200	500	ENUX102205PR	ENUX102205PV	ENUX102205DP
1000	2200	600	ENUX102206PR	ENUX102206PV	ENUX102206DP
1000	2200	800	ENUX102208PR	ENUX102208PV	ENUX102208DP

1000			CODES FOR ASSEMBLED CABINET		
CABINET DIMENSIONS			CABINET WITH DOUBLE FRONT BLANK DOOR + DOUBLE REAR BLANK DOOR	CABINET WITH DOUBLE FRONT BLANK DOOR + REAR PANEL	CABINET WITH FRONT BLANK DOOR + DOUBLE REAR BLANK DOOR
WIDTH	HEIGHT	DEPTH			
1000	1600	400	ENUX101604DPDP	ENUX101604DPR	ENUX101604PDP
1000	1600	500	ENUX101605DPDP	ENUX101605DPR	ENUX101605PDP
1000	1600	600	ENUX101606DPDP	ENUX101606DPR	ENUX101606PDP
1000	1800	400	ENUX101804DPDP	ENUX101804DPR	ENUX101804PDP
1000	1800	500	ENUX101805DPDP	ENUX101805DPR	ENUX101805PDP
1000	1800	600	ENUX101806DPDP	ENUX101806DPR	ENUX101806PDP
1000	1800	800	ENUX101808DPDP	ENUX101808DPR	ENUX101808PDP
1000	2000	400	ENUX102004DPDP	ENUX102004DPR	ENUX102004PDP
1000	2000	500	ENUX102005DPDP	ENUX102005DPR	ENUX102005PDP
1000	2000	600	ENUX102006DPDP	ENUX102006DPR	ENUX102006PDP
1000	2000	800	ENUX102008DPDP	ENUX102008DPR	ENUX102008PDP
1000	2200	500	ENUX102205DPDP	ENUX102205DPR	ENUX102205PDP
1000	2200	600	ENUX102206DPDP	ENUX102206DPR	ENUX102206PDP
1000	2200	800	ENUX102208DPDP	ENUX102208DPR	ENUX102208PDP

1000			CODES FOR FLAT-PACK CABINET				
CABINET DIMENSIONS			ROOF + BOTTOM	BLANK DOOR W=1000* + FRONT UPRIGHTS	*OR DOUBLE DOOR 500+500	PLEXI DOOR + FRONT UPRIGHTS	REAR PANEL + REAR UPRIGHTS
WIDTH	HEIGHT	DEPTH					
1000	1600	400	EUTF100040	EUPO100160	EUPO100160DP	EUPV100160	EURE100160
1000	1600	500	EUTF100050	EUPO100160	EUPO100160DP	EUPV100160	EURE100160
1000	1600	600	EUTF100060	EUPO100160	EUPO100160DP	EUPV100160	EURE100160
1000	1800	400	EUTF100040	EUPO100180	EUPO100180DP	EUPV100180	EURE100180
1000	1800	500	EUTF100050	EUPO100180	EUPO100180DP	EUPV100180	EURE100180
1000	1800	600	EUTF100060	EUPO100180	EUPO100180DP	EUPV100180	EURE100180
1000	1800	800	EUTF100080	EUPO100180	EUPO100180DP	EUPV100180	EURE100180
1000	2000	400	EUTF100040	EUPO100200	EUPO100200DP	EUPV100200	EURE100200
1000	2000	500	EUTF100050	EUPO100200	EUPO100200DP	EUPV100200	EURE100200
1000	2000	600	EUTF100060	EUPO100200	EUPO100200DP	EUPV100200	EURE100200
1000	2000	800	EUTF100080	EUPO100200	EUPO100200DP	EUPV100200	EURE100200
1000	2200	500	EUTF100050	EUPO100220	EUPO100220DP	EUPV100220	EURE100220
1000	2200	600	EUTF100060	EUPO100220	EUPO100220DP	EUPV100220	EURE100220
1000	2200	800	EUTF100080	EUPO100220	EUPO100220DP	EUPV100220	EURE100220





Suite



RAL 7035



RAL 5020



E NUX accessories, see page 47

EUPA front inserted mounting plate, see page 49

EUFI side panels, see page 58

EUZE modular plinth, see page 62

WTGS-001 eyebolts, see page 76

CHARACTERISTICS

The profile used for uprights and crosspieces is unique, manufactured from high-strength low-alloy sheet steel, closed with continuous fiber laser welding and free of sharp edges. The bottom is a single piece with box-type structure manufactured from press-bent fiber laser-MIG hybrid welded profiles of high-strength low-alloy sheet steel and an integrated central partition crosspiece. The frame corners are manufactured with orthogonal joints laser welded to vertical upright rails and horizontal rails for the roof and bottom. Only 8 high resistance screws are necessary to mount the structure, while two position pins allow the easy mounting of the two parts of the joint.

PAINT FINISH

ETA standard finishing cycle: paint-based primer with deposition by cataphoresis with epoxy resin and finishing using thermosetting powders:

- structure: RAL 7035 smooth finish
- doors and rear panel: RAL 7035 textured finish
- roof: RAL 5020 textured finish.



ASSEMBLED E NUX CABINET

- structure manufactured from high-strength low-alloy sheet steel
- door manufactured from sheet steel with stiffening frame, complete with Ø 3 mm lever-operated double bar locking system
- rear panel manufactured from sheet steel with rounded folding
- removable roof manufactured from sheet steel
- bottom manufactured from high-strength low-alloy sheet steel with adjustable double cable entry, complete with seal supplied separately.

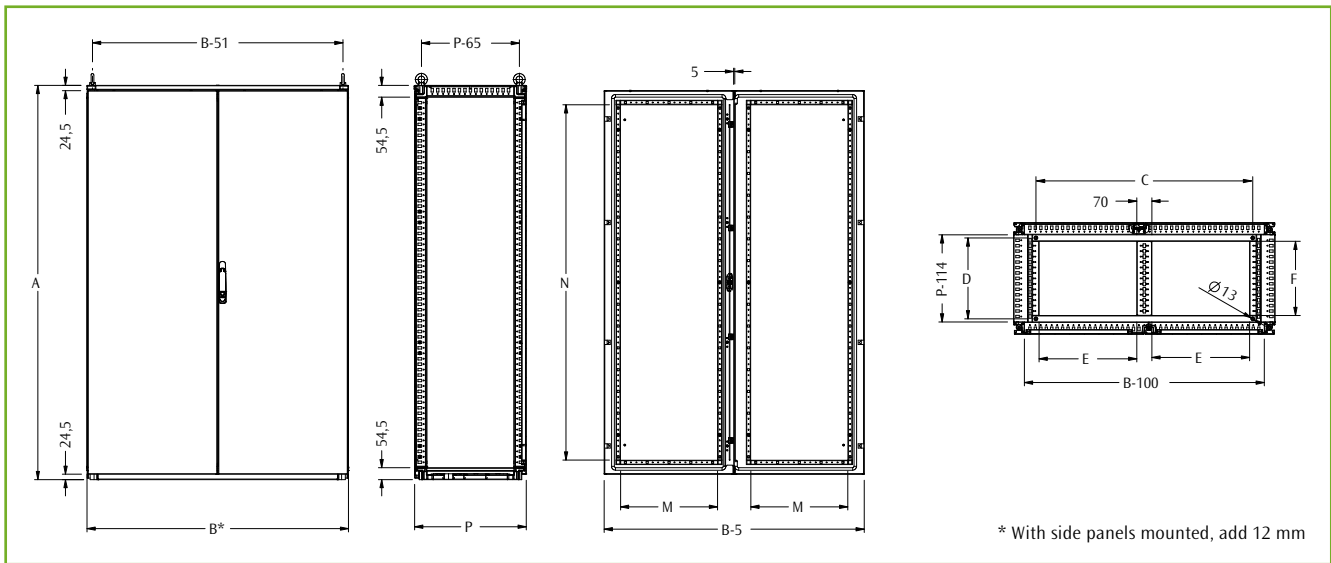
FLAT-PACK E NUX CABINET (ASSEMBLY WITH 8 SCREWS ONLY)

- composition to be assembled complying with customers requests
- panels and doors are supplied together with two vertical uprights complete with accessories.

PROTECTION RATING

- IP55 complying with IEC EN62208; EN60529
- NEMA 12 complying with UL508A; UL50
- protection degree guaranteed by the two-component polyurethane foam seal
- impact resistance IK10 complying with IEC EN62208; EN62262.

For further information, see the Technical section page 349.



DIMENSIONAL SPECIFICATIONS

DIMENSIONS			CABINET DIMENSIONS			FLOOR FIXING		CABLE ENTRY		DOOR SPACE	
WIDTH	HEIGHT	DEPTH	B*	A	P	C	D	E	F	M	N
1000	1600	400	500+500	1609	414	795	271	347	240	245	1430
1000	1600	500	500+500	1609	514	795	371	347	340	245	1430
1000	1600	600	500+500	1609	614	795	471	347	440	245	1430
1000	1800	400	500+500	1809	414	795	271	347	240	245	1630
1000	1800	500	500+500	1809	514	795	371	347	340	245	1630
1000	1800	600	500+500	1809	614	795	471	347	440	245	1630
1000	1800	800	500+500	1809	814	795	671	347	640	245	1630
1000	2000	400	500+500	2009	414	795	271	347	240	245	1830
1000	2000	500	500+500	2009	514	795	371	347	340	245	1830
1000	2000	600	500+500	2009	614	795	471	347	440	245	1830
1000	2000	800	500+500	2009	814	795	671	347	640	245	1830
1000	2200	500	500+500	2209	514	795	371	347	340	245	2030
1000	2200	600	500+500	2209	614	795	471	347	440	245	2030
1000	2200	800	500+500	2209	814	795	671	347	640	245	2030
1200	1400	400	1200	1409	414	995	271	447	240	445	1230
1200	1400	500	1200	1409	514	995	371	447	340	445	1230
1200	1600	400	1200	1609	414	995	271	447	240	445	1430
1200	1600	500	1200	1609	514	995	371	447	340	445	1430
1200	1600	600	1200	1609	614	995	471	447	440	445	1430
1200	1800	400	1200	1809	414	995	271	447	240	445	1630
1200	1800	500	1200	1809	514	995	371	447	340	445	1630
1200	1800	600	1200	1809	614	995	471	447	440	445	1630
1200	1800	800	1200	1809	814	995	671	447	640	445	1630
1200	2000	400	1200	2009	414	995	271	447	240	445	1830
1200	2000	500	1200	2009	514	995	371	447	340	445	1830
1200	2000	600	1200	2009	614	995	471	447	440	445	1830
1200	2000	800	1200	2009	814	995	671	447	640	445	1830
1200	2000	1000	1200	2009	1014	995	871	447	840	445	1830
1200	2200	500	1200	2209	514	995	371	447	340	445	2030
1200	2200	600	1200	2209	614	995	471	447	440	445	2030
1200	2200	800	1200	2209	814	995	671	447	640	445	2030
1400	2000	400	1400	2009	414	1195	271	547	240	545	1830
1400	2000	500	1400	2009	514	1195	371	547	340	545	1830
1400	2000	600	1400	2009	614	1195	471	547	440	545	1830
1400	2000	800	1400	2009	814	1195	671	547	640	545	1830
1600	1400	400	1600	1409	414	1395	271	647	240	645	1230
1600	1400	500	1600	1409	514	1395	371	647	340	645	1230
1600	2000	400	1600	2009	414	1395	271	647	240	645	1830
1600	2000	500	1600	2009	514	1395	371	647	340	645	1830
1600	2000	600	1600	2009	614	1395	471	647	440	645	1830
1600	2000	800	1600	2009	814	1395	671	647	640	645	1830

Suite

1200			CODES FOR ASSEMBLED CABINET		
CABINET DIMENSIONS			CABINET WITH FRONT BLANK DOORS 600+600	CABINET WITH FRONT BLANK DOORS 600+600	
WIDTH	HEIGHT	DEPTH	+ REAR PANEL	+ REAR DOORS 600+600	
1200	1400	400	ENUX121404PR	ENUX121404DP	
1200	1400	500	ENUX121405PR	ENUX121405DP	
1200	1600	400	ENUX121604PR	ENUX121604DP	
1200	1600	500	ENUX121605PR	ENUX121605DP	
1200	1600	600	ENUX121606PR	ENUX121606DP	
1200	1800	400	ENUX121804PR	ENUX121804DP	
1200	1800	500	ENUX121805PR	ENUX121805DP	
1200	1800	600	ENUX121806PR	ENUX121806DP	
1200	1800	800	ENUX121808PR	ENUX121808DP	
1200	2000	400	ENUX122004PR	ENUX122004DP	
1200	2000	500	ENUX122005PR	ENUX122005DP	
1200	2000	600	ENUX122006PR	ENUX122006DP	
1200	2000	800	ENUX122008PR	ENUX122008DP	
1200	2000	1000	ENUX122010PR	—	
1200	2200	500	ENUX122205PR	ENUX122205DP	
1200	2200	600	ENUX122206PR	ENUX122206DP	
1200	2200	800	ENUX122208PR	ENUX122208DP	

1200			CODES FOR FLAT-PACK CABINET		
CABINET DIMENSIONS			ROOF + BOTTOM	DOUBLE BLANK DOORS 600+600	REAR PANEL
WIDTH	HEIGHT	DEPTH		+ FRONT UPRIGHTS	+ REAR UPRIGHTS
1200	1400	400	EUTF120040	EUP0120140	EURE120140
1200	1400	500	EUTF120050	EUP0120140	EURE120140
1200	1600	400	EUTF120040	EUP0120160	EURE120160
1200	1600	500	EUTF120050	EUP0120160	EURE120160
1200	1600	600	EUTF120060	EUP0120160	EURE120160
1200	1800	400	EUTF120040	EUP0120180	EURE120180
1200	1800	500	EUTF120050	EUP0120180	EURE120180
1200	1800	600	EUTF120060	EUP0120180	EURE120180
1200	1800	800	EUTF120080	EUP0120180	EURE120180
1200	2000	400	EUTF120040	EUP0120200	EURE120200
1200	2000	500	EUTF120050	EUP0120200	EURE120200
1200	2000	600	EUTF120060	EUP0120200	EURE120200
1200	2000	800	EUTF120080	EUP0120200	EURE120200
1200	2200	500	EUTF120050	EUP0120220	EURE120220
1200	2200	600	EUTF120060	EUP0120220	EURE120220
1200	2200	800	EUTF120080	EUP0120220	EURE120220

1400			CODES FOR ASSEMBLED CABINET		
CABINET DIMENSIONS			CABINET WITH FRONT BLANK DOORS 700+700	CABINET WITH FRONT BLANK DOORS 700+700	
WIDTH	HEIGHT	DEPTH	+ REAR PANEL	+ REAR DOORS 700+700	
1400	2000	400	ENUX142004PR	ENUX142004DP	
1400	2000	500	ENUX142005PR	ENUX142005DP	
1400	2000	600	ENUX142006PR	ENUX142006DP	
1400	2000	800	ENUX142008PR	ENUX142008DP	

1400			CODES FOR FLAT-PACK CABINET		
CABINET DIMENSIONS			ROOF + BOTTOM	DOUBLE BLANK DOORS 700+700	REAR PANEL
WIDTH	HEIGHT	DEPTH		+ FRONT UPRIGHTS	+ REAR UPRIGHTS
1400	2000	400	EUTF140040	EUP0140200	EURE140200
1400	2000	500	EUTF140050	EUP0140200	EURE140200
1400	2000	600	EUTF140060	EUP0140200	EURE140200
1400	2000	800	EUTF140080	EUP0140200	EURE140200

1600			CODES FOR ASSEMBLED CABINET		
CABINET DIMENSIONS			CABINET WITH FRONT BLANK DOORS 800+800	CABINET WITH FRONT BLANK DOORS 800+800	
WIDTH	HEIGHT	DEPTH	+ REAR PANEL	+ REAR DOORS 800+800	
1600	1400	400	ENUX161404PR	ENUX161404DP	
1600	1400	500	ENUX161405PR	ENUX161405DP	
1600	2000	400	ENUX162004PR	ENUX162004DP	
1600	2000	500	ENUX162005PR	ENUX162005DP	
1600	2000	600	ENUX162006PR	ENUX162006DP	
1600	2000	800	ENUX162008PR	ENUX162008DP	

1600			CODES FOR FLAT-PACK CABINET		
CABINET DIMENSIONS			ROOF + BOTTOM	DOUBLE BLANK DOORS 800+800	REAR PANEL
WIDTH	HEIGHT	DEPTH		+ FRONT UPRIGHTS	+ REAR UPRIGHTS
1600	1400	400	EUTF160040	EUP0160140	EURE160140
1600	1400	500	EUTF160050	EUP0160140	EURE160140
1600	2000	400	EUTF160040	EUP0160200	EURE160200
1600	2000	500	EUTF160050	EUP0160200	EURE160200
1600	2000	600	EUTF160060	EUP0160200	EURE160200
1600	2000	800	EUTF160080	EUP0160200	EURE160200



Suite



RAL 7035



RAL 5020

CABLE ENTRY MODULE FRONT OPENING E NUX

To be used as an end or intermediate element in a suite of cabinets. Front and/or rear access.

CHARACTERISTICS

The profile used for uprights and crosspieces is unique, manufactured from high-strength low-alloy sheet steel, closed with continuous fiber laser welding and free of sharp edges. The frame corners are manufactured with orthogonal joints laser welded to vertical upright rails and horizontal rails for roof and bottom. Only 8 high resistance screws are necessary to mount the structure, while two position pins allow the easy mounting of the two parts of the joint.

PAINT FINISH

ETA standard finishing cycle: paint-based primer with deposition by cataphoresis with epoxy resin and finishing using thermosetting powders:



- structure: RAL 7035 smooth finish
- doors and rear panel: RAL 7035 textured finish
- roof: RAL 5020 textured finish.

ASSEMBLED E NUX MODULE

- structure manufactured from high-strength low-alloy sheet steel
- door manufactured from sheet steel with stiffening frame, complete with Ø 3mm lever-operated double bar locking system
- rear panel manufactured from sheet steel with rounded folding
- removable roof manufactured from sheet steel
- bottom manufactured from sheet steel.

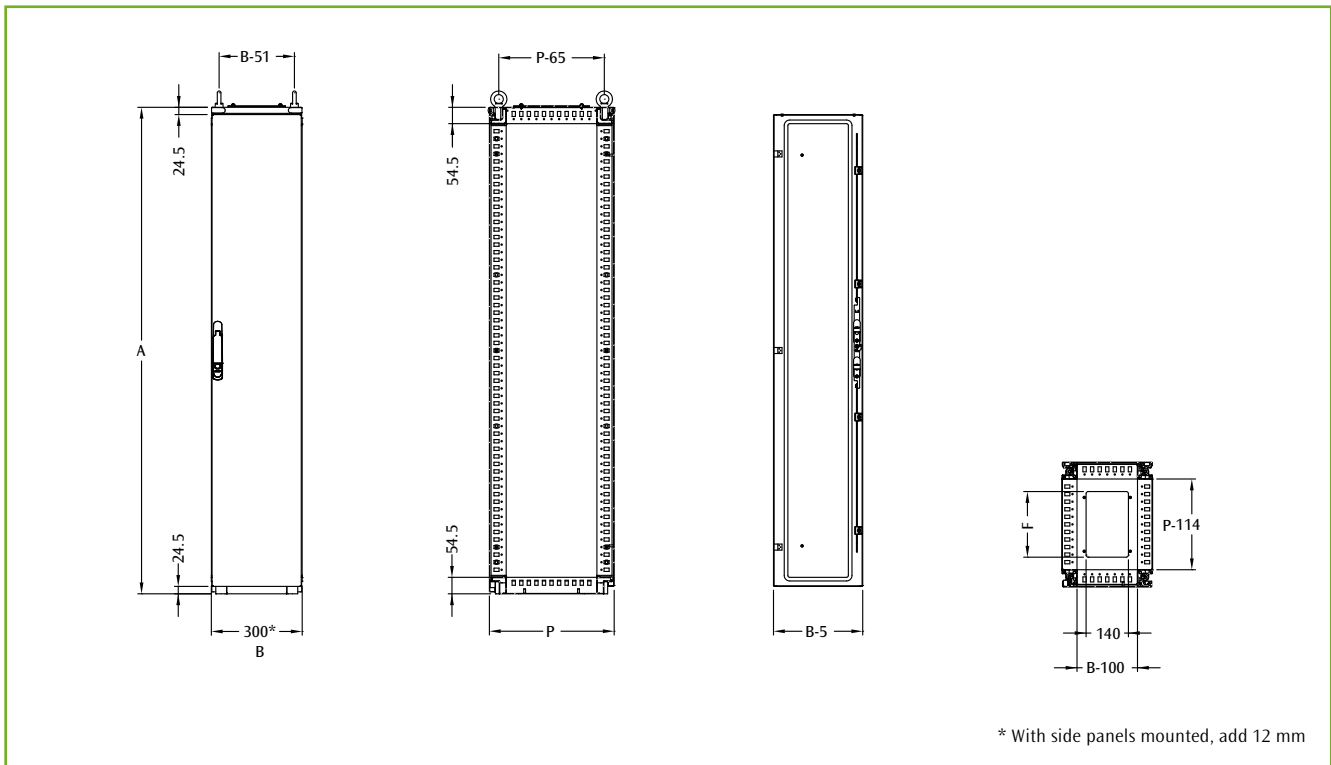
FLAT-PACK E NUX MODULE (ASSEMBLY WITH 8 SCREWS ONLY)

- composition to be assembled complying with customers requests
- panels and doors are supplied together with two vertical uprights complete with accessories.

PROTECTION RATING

- IP55 complying with IEC EN62208; EN60529
- NEMA 12 complying with UL508A; UL50
- protection degree guaranteed by the two-component polyurethane foam seal
- impact resistance IK10 complying with IEC EN62208; EN62262.

For further information, see the Technical section page 349.



* With side panels mounted, add 12 mm

DIMENSIONAL SPECIFICATIONS

DIMENSIONS			CABLE ENTRY MODULE DIMENSIONS		CABLE ENTRY
WIDTH	HEIGHT	DEPTH	A	P	F
300	1600	400	1609	414	217
300	1600	500	1609	514	317
300	1600	600	1609	614	417
300	1800	400	1809	414	217
300	1800	500	1809	514	317
300	1800	600	1809	614	417
300	1800	800	1809	814	617
300	2000	400	2009	414	217
300	2000	500	2009	514	317
300	2000	600	2009	614	417
300	2000	800	2009	814	617
300	2200	500	2209	514	317
300	2200	600	2209	614	417
300	2200	800	2209	814	617

ASSEMBLED CABLE ENTRY MODULE

E NUX CODE	DIMENSIONS		
	WIDTH	HEIGHT	DEPTH
ENUX031604	300	1600	400
ENUX031605	300	1600	500
ENUX031606	300	1600	600
ENUX031804	300	1800	400
ENUX031805	300	1800	500
ENUX031806	300	1800	600
ENUX031808	300	1800	800
ENUX032004	300	2000	400
ENUX032005	300	2000	500
ENUX032006	300	2000	600
ENUX032008	300	2000	800
ENUX032205	300	2200	500
ENUX032206	300	2200	600
ENUX032208	300	2200	800

FLAT-PACK CABLE ENTRY MODULE

DIMENSIONS			ROOF	BLANK	REAR
WIDTH	HEIGHT	DEPTH	+ BOTTOM	DOOR	PANEL
300	1600	400	EUTF030040	EUPO030160	EURE030160
300	1600	500	EUTF030050	EUPO030160	EURE030160
300	1600	600	EUTF030060	EUPO030160	EURE030160
300	1800	400	EUTF030040	EUPO030180	EURE030180
300	1800	500	EUTF030050	EUPO030180	EURE030180
300	1800	600	EUTF030060	EUPO030180	EURE030180
300	1800	800	EUTF030080	EUPO030180	EURE030180
300	2000	400	EUTF030040	EUPO030200	EURE030200
300	2000	500	EUTF030050	EUPO030200	EURE030200
300	2000	600	EUTF030060	EUPO030200	EURE030200
300	2000	800	EUTF030080	EUPO030200	EURE030200
300	2200	500	EUTF030050	EUPO030220	EURE030220
300	2200	600	EUTF030060	EUPO030220	EURE030220
300	2200	800	EUTF030080	EUPO030220	EURE030220

Suite

CABLE ENTRY MODULE SIDE OPENING EURP

To be positioned at the end of a cabinet suite for protecting cable and connector systems. Lateral access.

CHARACTERISTICS/SUPPLY

- structure manufactured from press bent and welded sheet steel
- door manufactured from sheet steel with 110° door opening
- sealing gasket.

PAINT FINISH

ETA standard finishing cycle: paint-based primer with deposition by cataphoresis with epoxy resin and finishing using thermosetting powders. Colour: RAL 7035 textured finish.



PROTECTION RATING

IP55.



CABLE ENTRY MOD. SIDE OP. W=200

EURP CODE	MODULE DIMENSIONS		
	L	A	P
EURP021805	200	1809	514
EURP022006	200	2009	614

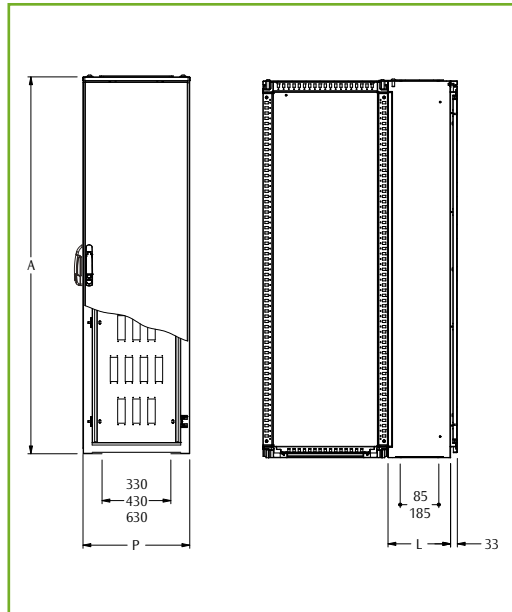
Please order the plinth in accordance with the total width of standard cabinet + cable entry module. I.e.: E NUX W 800 x D 500 + cable entry module W 200 x D 500 + plinth H=100 = EUZE-A100 + EUZE-T1000 + EUZE-T0500 (for plinth dimensions see page 62).

To be ordered separately: joining kit EUKU-007 for EURP with E NUX.

CABLE ENTRY MOD. SIDE OP. W=300

EURP CODE	MODULE DIMENSIONS		
	L	A	P
EURP031805	300	1809	514
EURP031806	300	1809	614
EURP031808	300	1809	814
EURP032005	300	2009	514
EURP032006	300	2009	614
EURP032008	300	2009	814

For E NUX plinth see page 62 (I.e. EUZE-A100 + EUZE-T0300 + EUZE-T0500).



INNER BLANK MOUNTING PLATE*

EUD3 CODE	MODULE DIMENSIONS	
	A	P
EUD3-050180	1809	514
EUD3-060180	1809	614
EUD3-080180	1809	814
EUD3-050200	2009	514
EUD3-060200	2009	614
EUD3-080200	2009	814

* Supply includes gasket for IP55.

INNER PUNCHED MOUNTING PLATE*

EUD4 CODE	MODULE DIMENSIONS		NO. OF HOLES
	A	P	
EUD4-050180	1809	514	28
EUD4-060180	1809	614	44
EUD4-080180	1809	814	60
EUD4-050200	2009	514	32
EUD4-060200	2009	614	50
EUD4-080200	2009	814	68

* Supply includes gasket for IP55.



Have you already selected your cabinets, in both assembled or flat-pack version?
Choose the accessories and complete your configuration!

MOUNTING PLATE

- Front-inserted mounting plate
- Side-inserted mounting plate
- Partial, supplementary, other plates



PAGE 49

DOORS, PANELS AND LOCKING SYSTEM

- Locking systems
- Plexi door
- Split doors
- Inner door
- Side panels



PAGE 55

PLINTH

- Modular plinth
- Watertight plinth
- Transportation or anti-vibration plinth



PAGE 62

SPECIAL SOLUTIONS

- Seismic design
- E NUX cabinet with IP>55



PAGE 66

COMPLEMENTARY ACCESSORIES

- Blank bottom
- Rain canopy
- Wheels and levelling feet
- Cable entry box
- Joining kit
- Lifting system
- Inner profiles
- Dividing plate
- Door-stop and door lock
- Corner cabinet or frame joining kit back to back
- Accessories for door
- Accessories for cable entry



PAGE 70



Do you need an accessory that is not available in our standard offer?
Our R&D Team is at your complete disposal to design together a new solution to meet your requirements!

Suite



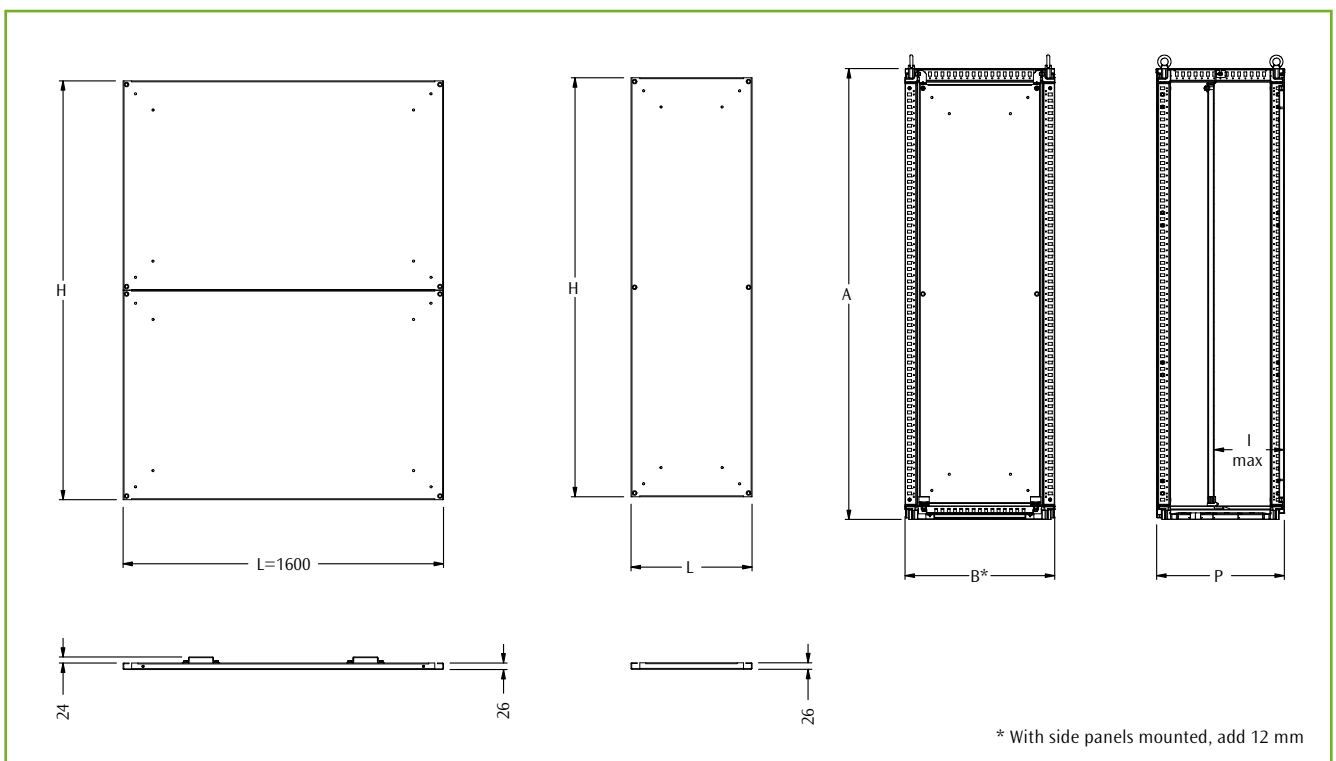
FRONT INSERTED MOUNTING PLATE EUPA

Manufactured from sendzimir sheet steel.



🔍 Mounting plate $W > 1400\text{mm}$ manufactured in two parts with horizontal union and stiffening omega-rings.

To be ordered separately: WTKB-002 mounting accessories for mounting plate.



* With side panels mounted, add 12 mm

MOUNTING PLATE WIDTH 400

EUPA CODE	CABINET DIMENSIONS			MOUNTING PLATE DIM.		
	B*	A	P	L	H	I (MAX)
EUPA-040160	400	1609	414	285	1480	350
EUPA-040160	400	1609	514	285	1480	450
EUPA-040160	400	1609	614	285	1480	550
EUPA-040180	400	1809	414	285	1680	350
EUPA-040180	400	1809	514	285	1680	450
EUPA-040180	400	1809	614	285	1680	550
EUPA-040180	400	1809	814	285	1680	750
EUPA-040200	400	2009	414	285	1880	350
EUPA-040200	400	2009	514	285	1880	450
EUPA-040200	400	2009	614	285	1880	550
EUPA-040200	400	2009	814	285	1880	750
EUPA-040220	400	2209	514	285	2080	450
EUPA-040220	400	2209	614	285	2080	550
EUPA-040220	400	2209	814	285	2080	750

MOUNTING PLATE WIDTH 1000


EUPA CODE	CABINET DIMENSIONS			MOUNTING PLATE DIM.		
	B*	A	P	L	H	I (MAX)
EUPA-100160	1000	1609	414	885	1480	350
EUPA-100160	1000	1609	514	885	1480	450
EUPA-100160	1000	1609	614	885	1480	550
EUPA-100180	1000	1809	414	885	1680	350
EUPA-100180	1000	1809	514	885	1680	450
EUPA-100180	1000	1809	614	885	1680	550
EUPA-100180	1000	1809	814	885	1680	750
EUPA-100200	1000	2009	414	885	1880	350
EUPA-100200	1000	2009	514	885	1880	450
EUPA-100200	1000	2009	614	885	1880	550
EUPA-100200	1000	2009	814	885	1880	750
EUPA-100220	1000	2209	514	885	2080	450
EUPA-100220	1000	2209	614	885	2080	550
EUPA-100220	1000	2209	814	885	2080	750

MOUNTING PLATE WIDTH 600

EUPA CODE	CABINET DIMENSIONS			MOUNTING PLATE DIM.		
	B*	A	P	L	H	I (MAX)
EUPA-060140	600	1409	414	485	1280	350
EUPA-060140	600	1409	514	485	1280	450
EUPA-060160	600	1609	414	485	1480	350
EUPA-060160	600	1609	514	485	1480	450
EUPA-060160	600	1609	614	485	1480	550
EUPA-060160	600	1609	814	485	1480	750
EUPA-060180	600	1809	414	485	1680	350
EUPA-060180	600	1809	514	485	1680	450
EUPA-060180	600	1809	614	485	1680	550
EUPA-060180	600	1809	814	485	1680	750
EUPA-060200	600	2009	414	485	1880	350
EUPA-060200	600	2009	514	485	1880	450
EUPA-060200	600	2009	614	485	1880	550
EUPA-060200	600	2009	814	485	1880	750
EUPA-060200	600	2009	1014	485	1880	950
EUPA-060220	600	2209	514	485	2080	450
EUPA-060220	600	2209	614	485	2080	550
EUPA-060220	600	2209	814	485	2080	750

MOUNTING PLATE WIDTH 1200

EUPA CODE	CABINET DIMENSIONS			MOUNTING PLATE DIM.		
	B*	A	P	L	H	I (MAX)
EUPA-120140	1200	1409	414	1085	1280	350
EUPA-120140	1200	1409	514	1085	1280	450
EUPA-120160	1200	1609	414	1085	1480	350
EUPA-120160	1200	1609	514	1085	1480	450
EUPA-120160	1200	1609	614	1085	1480	550
EUPA-120160	1200	1609	814	1085	1480	750
EUPA-120180	1200	1809	414	1085	1680	350
EUPA-120180	1200	1809	514	1085	1680	450
EUPA-120180	1200	1809	614	1085	1680	550
EUPA-120180	1200	1809	814	1085	1680	750
EUPA-120200	1200	2009	414	1085	1880	350
EUPA-120200	1200	2009	514	1085	1880	450
EUPA-120200	1200	2009	614	1085	1880	550
EUPA-120200	1200	2009	814	1085	1880	750
EUPA-120200	1200	2009	1014	1085	1880	950
EUPA-120220	1200	2209	514	1085	2080	450
EUPA-120220	1200	2209	614	1085	2080	550
EUPA-120220	1200	2209	814	1085	2080	750


 Optional stiffening omega-rings WTOM-001200 to be ordered separately.

MOUNTING PLATE WIDTH 800

EUPA CODE	CABINET DIMENSIONS			MOUNTING PLATE DIM.		
	B*	A	P	L	H	I (MAX)
EUPA-080140	800	1409	414	685	1280	350
EUPA-080140	800	1409	514	685	1280	450
EUPA-080160	800	1609	414	685	1480	350
EUPA-080160	800	1609	514	685	1480	450
EUPA-080160	800	1609	614	685	1480	550
EUPA-080180	800	1809	414	685	1680	350
EUPA-080180	800	1809	514	685	1680	450
EUPA-080180	800	1809	614	685	1680	550
EUPA-080180	800	1809	814	685	1680	750
EUPA-080200	800	2009	414	685	1880	350
EUPA-080200	800	2009	514	685	1880	450
EUPA-080200	800	2009	614	685	1880	550
EUPA-080200	800	2009	814	685	1880	750
EUPA-080200	800	2009	1014	685	1880	950
EUPA-080220	800	2209	514	685	2080	450
EUPA-080220	800	2209	614	685	2080	550
EUPA-080220	800	2209	814	685	2080	750

MOUNTING PLATE WIDTH 1400

EUPA CODE	CABINET DIMENSIONS			MOUNTING PLATE DIM.		
	B*	A	P	L	H	I (MAX)
EUPA-140200	1400	2009	414	1285	1880	350
EUPA-140200	1400	2009	514	1285	1880	450
EUPA-140200	1400	2009	614	1285	1880	550
EUPA-140200	1400	2009	814	1285	1880	750

 Optional stiffening omega-rings WTOM-001400 to be ordered separately.

MOUNTING PLATE WIDTH 1600

EUPA CODE	CABINET DIMENSIONS			MOUNTING PLATE DIM.		
	B*	A	P	L	H	I (MAX)
EUPA-160140	1600	1409	414	1485	1280	350
EUPA-160140	1600	1409	514	1485	1280	450
EUPA-160160	1600	1609	414	1485	1480	350
EUPA-160160	1600	1609	514	1485	1480	450
EUPA-160200	1600	2009	414	1485	1880	350
EUPA-160200	1600	2009	514	1485	1880	450
EUPA-160200	1600	2009	614	1485	1880	550
EUPA-160200	1600	2009	814	1485	1880	750



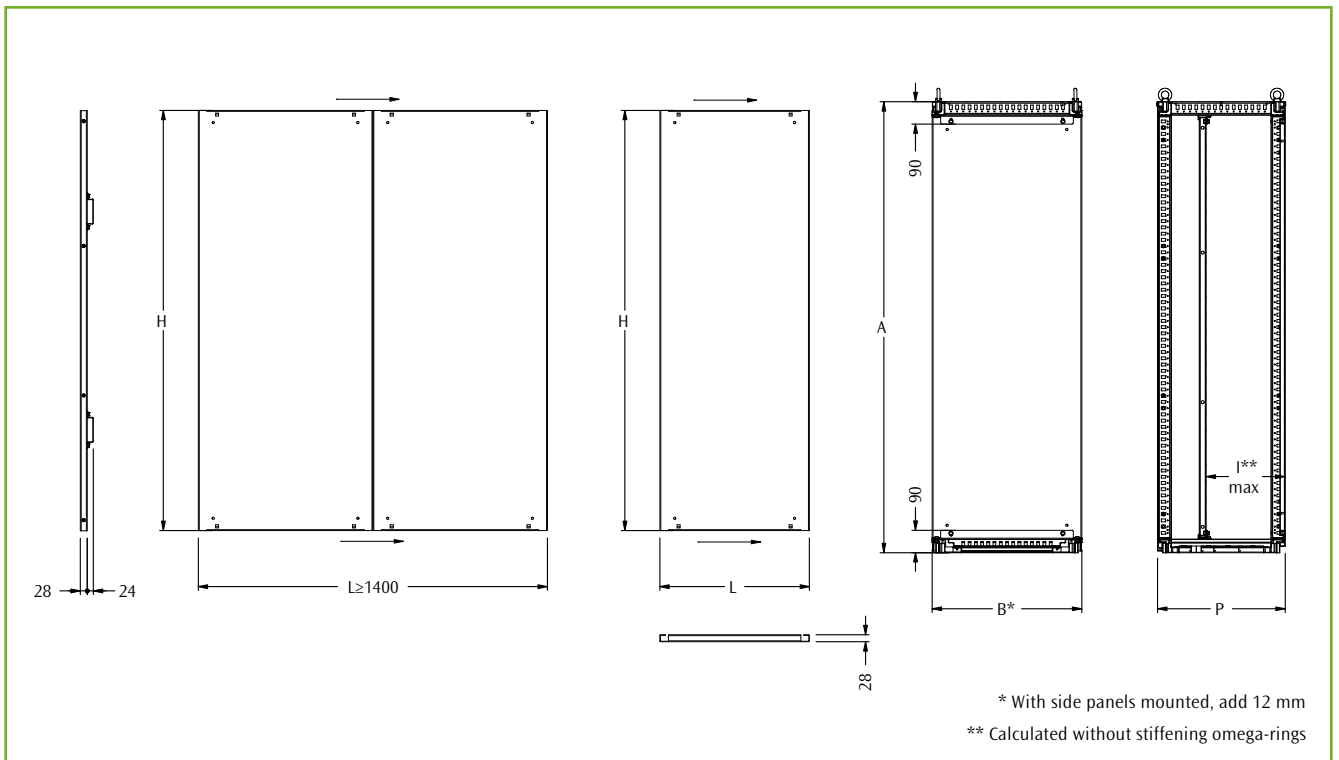
SIDE INSERTED MOUNTING PLATE EUPL

CHARACTERISTICS

Manufactured thick sendzimir sheet steel.

SUPPLY

Includes 1 piece with sliding guides and mounting accessories.



🔍 Mounting plate $L \geq 1400$ mm and $L=1600$ mm manufactured in two parts with vertical union and stiffening omega-rings. Max $L = 3$ m.

MOUNTING PLATE WIDTH 400

EUPL CODE	CABINET DIMENSIONS			MOUNTING PLATE DIM.		
	B*	A	P	L	H	I (MAX)
EUPL-040160	400	1609	414	400	1485	315
EUPL-040160	400	1609	514	400	1485	415
EUPL-040160	400	1609	614	400	1485	515
EUPL-040180	400	1809	414	400	1685	315
EUPL-040180	400	1809	514	400	1685	415
EUPL-040180	400	1809	614	400	1685	515
EUPL-040180	400	1809	814	400	1685	715
EUPL-040200	400	2009	414	400	1885	315
EUPL-040200	400	2009	514	400	1885	415
EUPL-040200	400	2009	614	400	1885	515
EUPL-040200	400	2009	814	400	1885	715
EUPL-040220	400	2209	514	400	2085	415
EUPL-040220	400	2209	614	400	2085	515
EUPL-040220	400	2209	814	400	2085	715

MOUNTING PLATE WIDTH 1000

EUPL CODE	CABINET DIMENSIONS			MOUNTING PLATE DIM.		
	B*	A	P	L	H	I (MAX)
EUPL-100160	1000	1609	414	1000	1485	315
EUPL-100160	1000	1609	514	1000	1485	415
EUPL-100160	1000	1609	614	1000	1485	515
EUPL-100180	1000	1809	414	1000	1685	315
EUPL-100180	1000	1809	514	1000	1685	415
EUPL-100180	1000	1809	614	1000	1685	515
EUPL-100180	1000	1809	814	1000	1685	715
EUPL-100200	1000	2009	414	1000	1885	315
EUPL-100200	1000	2009	514	1000	1885	415
EUPL-100200	1000	2009	614	1000	1885	515
EUPL-100200	1000	2009	814	1000	1885	715
EUPL-100220	1000	2209	514	1000	2085	415
EUPL-100220	1000	2209	614	1000	2085	515
EUPL-100220	1000	2209	814	1000	2085	715

MOUNTING PLATE WIDTH 600

EUPL CODE	CABINET DIMENSIONS			MOUNTING PLATE DIM.		
	B*	A	P	L	H	I (MAX)
EUPL-060140	600	1409	414	600	1285	315
EUPL-060140	600	1409	514	600	1285	415
EUPL-060160	600	1609	414	600	1485	315
EUPL-060160	600	1609	514	600	1485	415
EUPL-060160	600	1609	614	600	1485	515
EUPL-060160	600	1609	814	600	1485	715
EUPL-060180	600	1809	414	600	1685	315
EUPL-060180	600	1809	514	600	1685	415
EUPL-060180	600	1809	614	600	1685	515
EUPL-060180	600	1809	814	600	1685	715
EUPL-060200	600	2009	414	600	1885	315
EUPL-060200	600	2009	514	600	1885	415
EUPL-060200	600	2009	614	600	1885	515
EUPL-060200	600	2009	814	600	1885	715
EUPL-060200	600	2009	1014	600	1885	915
EUPL-060220	600	2209	514	600	2085	415
EUPL-060220	600	2209	614	600	2085	515
EUPL-060220	600	2209	814	600	2085	715

MOUNTING PLATE WIDTH 1200

EUPL CODE	CABINET DIMENSIONS			MOUNTING PLATE DIM.		
	B*	A	P	L	H	I (MAX)
EUPL-120140	1200	1409	414	1200	1285	315
EUPL-120140	1200	1409	514	1200	1285	415
EUPL-120160	1200	1609	414	1200	1485	315
EUPL-120160	1200	1609	514	1200	1485	415
EUPL-120160	1200	1609	614	1200	1485	515
EUPL-120160	1200	1609	814	1200	1485	715
EUPL-120180	1200	1809	414	1200	1685	315
EUPL-120180	1200	1809	514	1200	1685	415
EUPL-120180	1200	1809	614	1200	1685	515
EUPL-120180	1200	1809	814	1200	1685	715
EUPL-120200	1200	2009	414	1200	1885	315
EUPL-120200	1200	2009	514	1200	1885	415
EUPL-120200	1200	2009	614	1200	1885	515
EUPL-120200	1200	2009	814	1200	1885	715
EUPL-120200	1200	2009	1014	1200	1885	915
EUPL-120220	1200	2209	514	1200	2085	415
EUPL-120220	1200	2209	614	1200	2085	515
EUPL-120220	1200	2209	814	1200	2085	715

MOUNTING PLATE WIDTH 800

EUPL CODE	CABINET DIMENSIONS			MOUNTING PLATE DIM.		
	B*	A	P	L	H	I (MAX)
EUPL-080140	800	1409	414	800	1285	315
EUPL-080140	800	1409	514	800	1285	415
EUPL-080160	800	1609	414	800	1485	315
EUPL-080160	800	1609	514	800	1485	415
EUPL-080160	800	1609	614	800	1485	515
EUPL-080180	800	1809	414	800	1685	315
EUPL-080180	800	1809	514	800	1685	415
EUPL-080180	800	1809	614	800	1685	515
EUPL-080180	800	1809	814	800	1685	715
EUPL-080200	800	2009	414	800	1885	315
EUPL-080200	800	2009	514	800	1885	415
EUPL-080200	800	2009	614	800	1885	515
EUPL-080200	800	2009	814	800	1885	715
EUPL-080200	800	2009	1014	800	1885	915
EUPL-080220	800	2209	514	800	2085	415
EUPL-080220	800	2209	614	800	2085	515
EUPL-080220	800	2209	814	800	2085	715

MOUNTING PLATE WIDTH 1400

EUPL CODE	CABINET DIMENSIONS			MOUNTING PLATE DIM.		
	B*	A	P	L	H	I (MAX)
EUPL-140200	1400	2009	414	1400	1885	315
EUPL-140200	1400	2009	514	1400	1885	415
EUPL-140200	1400	2009	614	1400	1885	515
EUPL-140200	1400	2009	814	1400	1885	715

MOUNTING PLATE WIDTH 1600

EUPL CODE	CABINET DIMENSIONS			MOUNTING PLATE DIM.		
	B*	A	P	L	H	I (MAX)
EUPL-160140	1600	1409	414	1600	1285	315
EUPL-160140	1600	1409	514	1600	1285	415
EUPL-160200	1600	2009	414	1600	1885	315
EUPL-160200	1600	2009	514	1600	1885	415
EUPL-160200	1600	2009	614	1600	1885	515
EUPL-160200	1600	2009	814	1600	1885	715

PARTIAL MOUNTING PLATES

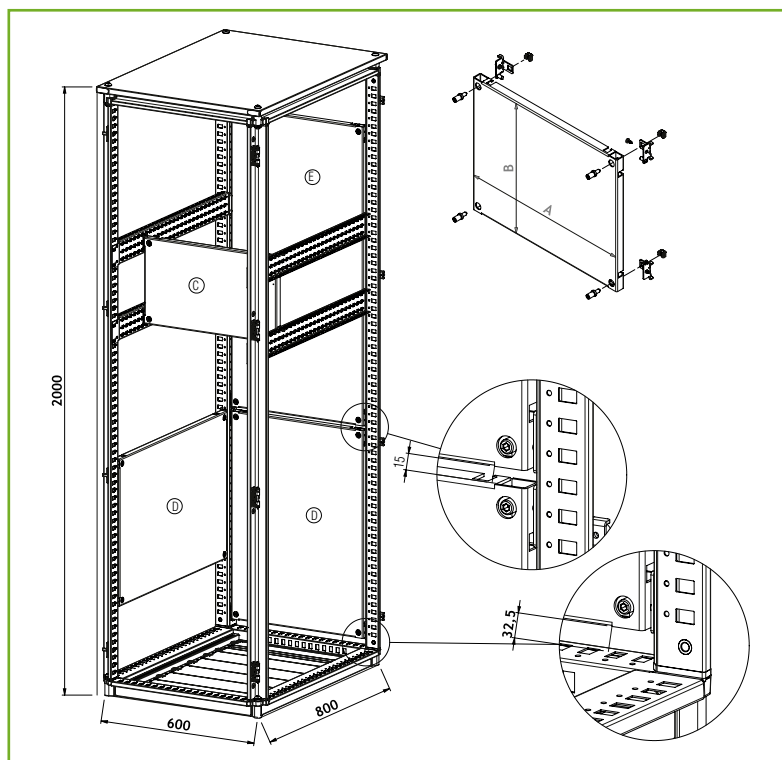
Suite

Partial mounting plate manufactured from sendzimir sheet steel. Designed to allow an easy mounting in different positions (i.e. C, D, E) by using a universal mounting kit and optimizing the empty space between two plates in order to guarantee continuity in cable wiring.



PARTIAL MOUNTING PLATES EUPZ

EUPZ CODE	DIMENSIONS		PLATE DIMENSIONS	
			A	B
EUPZ-040040	400	400	285	285
EUPZ-040050	400	500	285	385
EUPZ-040060	400	600	285	485
EUPZ-040070	400	700	285	585
EUPZ-040080	400	800	285	685
EUPZ-040090	400	900	285	785
EUPZ-040100	400	1000	285	885
EUPZ-040110	400	1100	285	985
EUPZ-040120	400	1200	285	1085
EUPZ-060050	600	500	485	385
EUPZ-060060	600	600	485	485
EUPZ-060070	600	700	485	585
EUPZ-060080	600	800	485	685
EUPZ-060090	600	900	485	785
EUPZ-060100	600	1000	485	885
EUPZ-060110	600	1100	485	985
EUPZ-060120	600	1200	485	1085
EUPZ-080050	800	500	685	385
EUPZ-080070	800	700	685	585
EUPZ-080080	800	800	685	685
EUPZ-080090	800	900	685	785
EUPZ-080100	800	1000	685	885
EUPZ-080110	800	1100	685	985
EUPZ-080120	800	1200	685	1085
EUPZ-100050	1000	500	885	385
EUPZ-100070	1000	700	885	585
EUPZ-100090	1000	900	885	785
EUPZ-100100	1000	1000	885	885
EUPZ-100110	1000	1100	885	985
EUPZ-100120	1000	1200	885	1085
EUPZ-120050	1200	500	1085	385
EUPZ-120070	1200	700	1085	585
EUPZ-120090	1200	900	1085	785
EUPZ-120110	1200	1100	1085	985
EUPZ-120120	1200	1200	1085	1085



Mounting kit WTKC-001 to be ordered separately (universal mounting kit for all installations)

For partial mounting plate assembled in depth (see C), nr. 4 fast-fixing profile WTPR-075...RS to be ordered separately.

FAST-FIXING BRACKET

WTPR CODE	CABINET DEPTH
WTPR-075040RS	400
WTPR-075050RS	500
WTPR-075060RS	600
WTPR-075080RS	800

HOW TO ORDER

I.e. E NUX cabinet dim. 600x2000x800 with front blank door and rear panel (ENUX062008PR) and partial mounting plates

EUPZ partial mounting plate dim. 600x500, assembly C

Nr. 1 EUPZ-060050

Nr. 1 WTKC-001

Nr. 4 WTPR-075080RS

EUPZ partial mounting plate dim. 600x800, assembly D / E

Nr. 1 EUPZ-060080

Nr. 1 WTKC-001




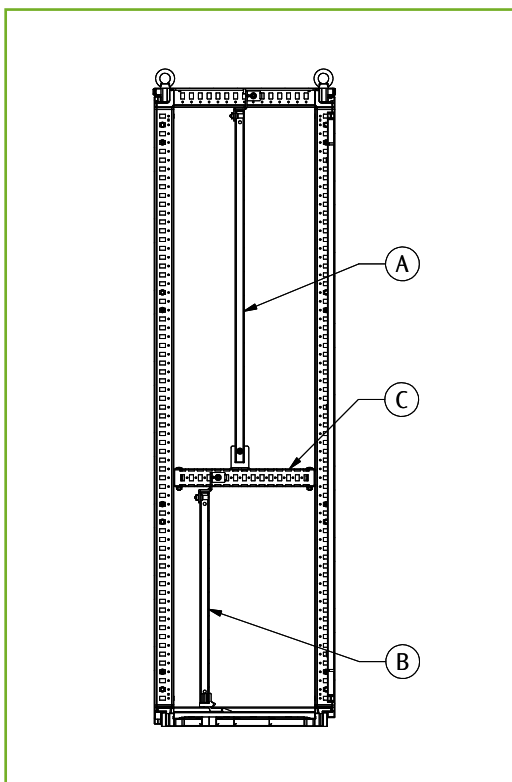
PARTIAL MOUNTING PLATE EUPR

Partial mounting plates can be manufactured upon request. Manufactured from sendzimir sheet steel.

Mounting kit pos. A

Mounting kit pos. B.

 To be ordered separately: WTPR rails H=50 mm (C) and brackets WTSF-001 (see page 74).



PARTIAL MOUNTING PLATE		
EUPR CODE	MOUNTING PLATE DIMENSIONS	
	L	H
EUPR-060060	485	600
EUPR-060080	485	800
EUPR-060120	485	1200
EUPR-080060	685	600
EUPR-080080	685	800
EUPR-080120	685	1200

WTKA-001

Mounting kit pos. A.



WTKB-002

Mounting kit pos. B.





SUPPORTING BRACKETS WTSC-001

Central support brackets for mounting plates.

SUPPLY

Includes 2 pieces with mounting accessories.

Fixing rails H=50 (see page 74) to be ordered separately. Available on request.

MOUNTING PLATE ASSEMBLY BRACKETS WTSC-002

Kit used to fix the mounting plate in the rearmost position, with central fixing. Supply complete with brackets and screws required for fixing.

Available on request.



INTERMEDIATE MOUNTING PLATE EUPN

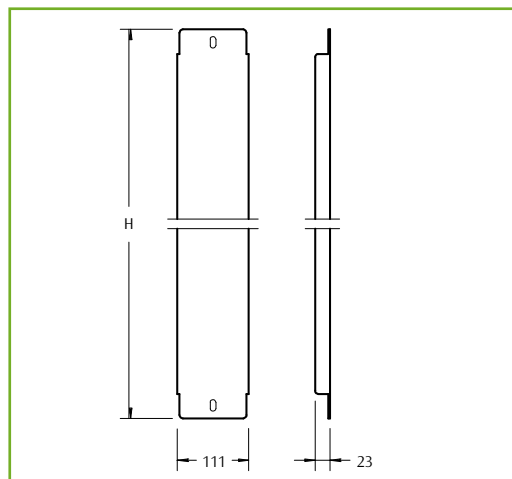
To give continuity to mounting plates between two cabinets mounted in a suite.

CHARACTERISTICS

Manufactured from press bent sendzimir sheet steel.

SUPPLY

Includes 1 piece with mounting accessories.



INTERMEDIATE MOUNTING PLATE

EUPN CODE	CABINET HEIGHT	H
EUPN-001400	1400	1286
EUPN-001600	1600	1486
EUPN-001800	1800	1686
EUPN-002000	2000	1886
EUPN-002200	2200	2086

SUPPLEMENTARY MOUNTING PLATE EUPS

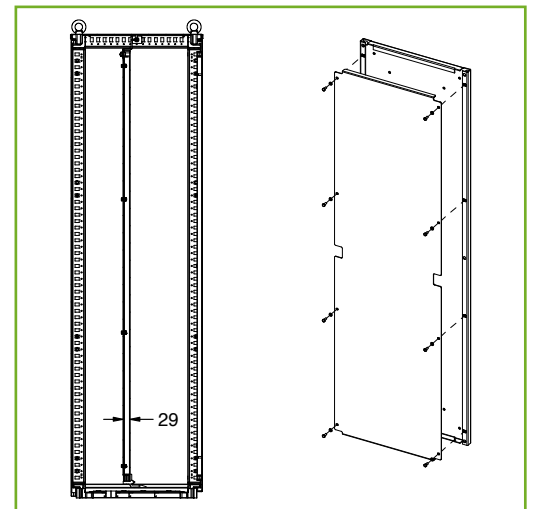
Applied on the rear part of a mounting plate to obtain a supplementary mounting plate.

CHARACTERISTICS

Manufactured from sendzimir sheet steel.

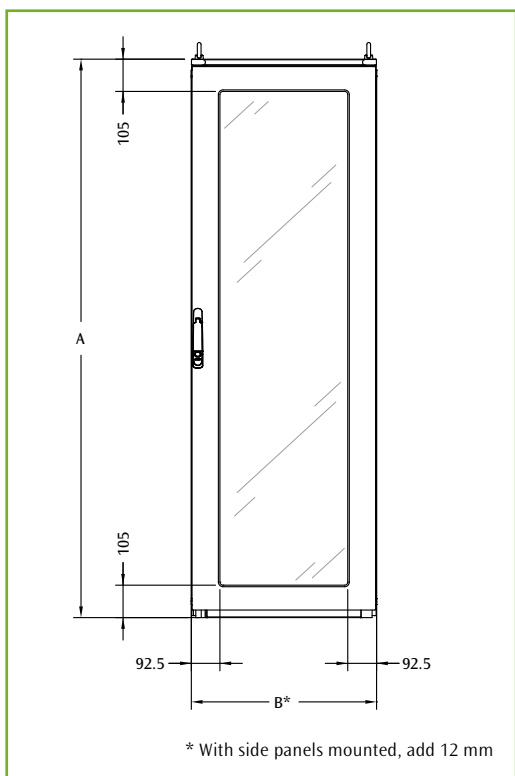
SUPPLY

Includes 1 piece with mounting accessories.



SUPPLEMENTARY MOUNTING PLATE

EUPS CODE	CABINET DIM.		M. PLATE DIM.	
	B	A	L	H
EUPS-040160	400	1609	280	1435
EUPS-040180	400	1809	280	1635
EUPS-040200	400	2009	280	1835
EUPS-040220	400	2209	280	2035
EUPS-060140	600	1409	480	1235
EUPS-060160	600	1609	480	1435
EUPS-060180	600	1809	480	1635
EUPS-060200	600	2009	480	1835
EUPS-060220	600	2209	480	2035
EUPS-080140	800	1409	680	1235
EUPS-080160	800	1609	680	1435
EUPS-080180	800	1809	680	1635
EUPS-080200	800	2009	680	1835
EUPS-080220	800	2209	680	2035
EUPS-100160	1000	1609	880	1435
EUPS-100180	1000	1809	880	1635
EUPS-100200	1000	2009	880	1835
EUPS-100220	1000	2209	880	2035



PLEXI DOOR EUPV

CHARACTERISTICS

Manufactured from sheet steel with viewing window, tubular stiffening frame and clear Plexiglas.

PAINT FINISH

ETA standard finishing cycle: paint-based primer with deposition by cataphoresis with epoxy resin and finishing using thermosetting powders. Colour: RAL 7035 textured finish.



SUPPLY

- two upright rails complete with accessories
- door complete with sealing gasket, tubular stiffening frame and Ø 3 mm lever-operated double bar locking system.

PROTECTION RATING

- IP55 complying with IEC EN62208; EN60529
- NEMA 12 complying with UL508A; UL50
- impact resistance IK10 complying with IEC EN62208; EN62262.

Suite

PLEXI DOOR

EUPV CODE	CABINET DIMENSIONS	
	B*	A
EUPV060140	600	1409
EUPV060160	600	1609
EUPV060180	600	1809
EUPV060200	600	2009
EUPV060220	600	2209
EUPV080140	800	1409
EUPV080160	800	1609
EUPV080180	800	1809
EUPV080200	800	2009
EUPV080220	800	2209
EUPV100160	1000	1609
EUPV100180	1000	1809
EUPV100200	1000	2009
EUPV100220	1000	2209

- E NUX cabinet with plexi door available in:
- Assembled version: see page 36, 37, 38 to choose the part numbers E NUX...PV
 - Flat-pack version: see above to choose the part numbers of the plexi door EUPV (provided with front uprights) and see page 36, 37, 38 to complete the cabinet with EUTF (top + bottom) and EURE (rear panel + rear uprights).

Glazed door available on request.



Suite



SPLIT VERTICAL DOORS EUPO

CHARACTERISTICS

Door manufactured from press bent sheet steel material.

PAINT FINISH

ETA standard finishing cycle: paint-based primer with deposition by cataphoresis with epoxy resin and finishing using thermosetting powders. Colour: RAL 7035 textured finish.



SUPPLY

Single blank door that can be supplied in split version (e.g. L=800 supplied in double version: door stopped 400 mm + door with stop device 400 mm) or double blank doors that can be supplied with different sizes (e.g. L=1200 usually supplied 600+600 can be proposed with door stopped 800 mm + door with stop device 400 mm, or other combination).

PROTECTION RATING

- IP55 complying with EN62208; EN60529
- NEMA 12 complying with UL508A; UL50
- impact resistance IK10 complying with EN62208; EN62262.

Available on request.

Available on request split vertical doors with door stop for Dis-connector (see page 77).



DOOR STOP WTFP

Allows the mechanical stop of the door preventing the accidental closing. This equipment is compatible with the 180° rack structure mounted in the most forward position and the E NUX plexi/glazed doors too.

CHARACTERISTICS

Manufactured from zincpassivated sheet steel.

SUPPLY

Includes 1 piece with accessories.

DOOR STOP

WTFP CODE	OPENING
WTFP-001	90°
WTFP-002	135°
WTFP-010	90° (for door 400+400)
WTFP-011	170°



INNER DOOR EUPI

CHARACTERISTICS

Manufactured in sheet steel accompanied by uprights and horizontal cross-members, depth-adjustable with 25 mm pitch.

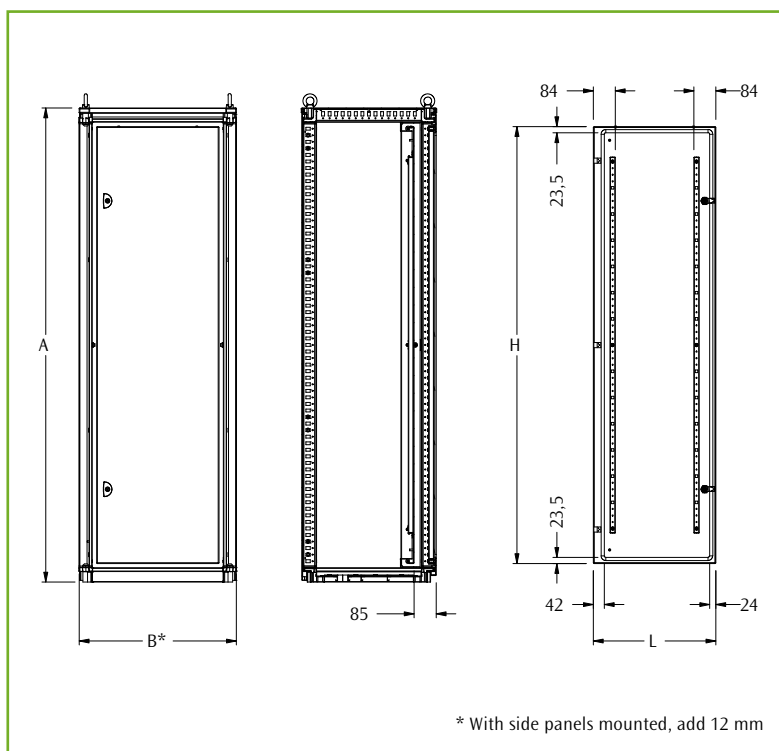
PAINT FINISH

ETA standard finishing cycle: paint-based primer with deposition by cataphoresis with epoxy resin and finishing using thermosetting powders. Colour: RAL 7035 textured finish.



SUPPLY

- door complete with Ø 3 mm double bar locking system and hinges
- vertical uprights and horizontal rails
- mounting accessories.



INNER DOOR

EUPI CODE	CABINET DIMENSIONS		INNER DOOR DIM.	
	B*	A	L	H
EUPI060140	600	1409	467	1267
EUPI060160	600	1609	467	1467
EUPI060180	600	1809	467	1667
EUPI060200	600	2009	467	1867
EUPI060220	600	2209	467	2067
EUPI080140	800	1409	667	1267
EUPI080160	800	1609	667	1467
EUPI080180	800	1809	667	1667
EUPI080200	800	2009	667	1867
EUPI080220	800	2209	667	2067
EUPI100160	1000	1609	867	1467
EUPI100180	1000	1809	867	1667
EUPI100200	1000	2009	867	1867
EUPI100220	1000	2209	867	2067

PROFILES FOR INNER DOOR**

WTPP CODE	CABINET HEIGHT
WTPP-001400	1400
WTPP-001600	1600
WTPP-001800	1800
WTPP-002000	2000
WTPP-002200	2200

** Available on request: profiles for inner door (supply includes 2 pieces).



LATERAL DOOR EUPF

CHARACTERISTICS

Manufactured from sheet steel.

PAINT FINISH

ETA standard finishing cycle: paint-based primer with deposition by cataphoresis with epoxy resin and finishing using thermosetting powders. Colour: RAL 7035 textured finish.



SUPPLY

- door complete with sealing gasket, Ø 3 mm lever operated double bar locking system
- 4 hinges
- mounting accessories.



SIDE PANELS EUFI

CHARACTERISTICS

Manufactured from press-bent sheet steel with rounded folding.

PAINT FINISH

ETA standard finishing cycle: paint-based primer with deposition by cataphoresis with epoxy resin and finishing using thermosetting powders. Colour: RAL 7035 textured finish.



SUPPLY

- two side panels
- rapid fastening couplers
- mounting accessories.

To order a pair of side panels for mounting on hinge side 180°, you have to add the suffix "C" to the code (i.e.: EUFI040140C).

LATERAL DOOR		
EUPF CODE	DIMENSIONS	
	HEIGHT	DEPTH
EUPF040140	1400	400
EUPF050140	1400	500
EUPF060140	1400	600
EUPF040160	1600	400
EUPF050160	1600	500
EUPF060160	1600	600
EUPF040180	1800	400
EUPF050180	1800	500
EUPF060180	1800	600
EUPF080180	1800	800
EUPF040200	2000	400
EUPF050200	2000	500
EUPF060200	2000	600
EUPF080200	2000	800
EUPF050220	2200	500
EUPF060220	2200	600
EUPF080220	2200	800

SIDE PANELS		
EUFI CODE	DIMENSIONS	
	HEIGHT	DEPTH
EUFI040140	1400	400
EUFI050140	1400	500
EUFI040160	1600	400
EUFI050160	1600	500
EUFI060160	1600	600
EUFI040180	1800	400
EUFI050180	1800	500
EUFI060180	1800	600
EUFI080180	1800	800
EUFI040200	2000	400
EUFI050200	2000	500
EUFI060200	2000	600
EUFI080200	2000	800
EUFI100200	2000	1000
EUFI050220	2200	500
EUFI060220	2200	600
EUFI080220	2200	800

LOCKING SYSTEMS - NEW EASY LOCK CONCEPT

The project, which arises from the conception and realisation of a new stronger and more resistant handle, has been developed up to the complete revision of the locking system, thus guaranteeing easier and more agile use.

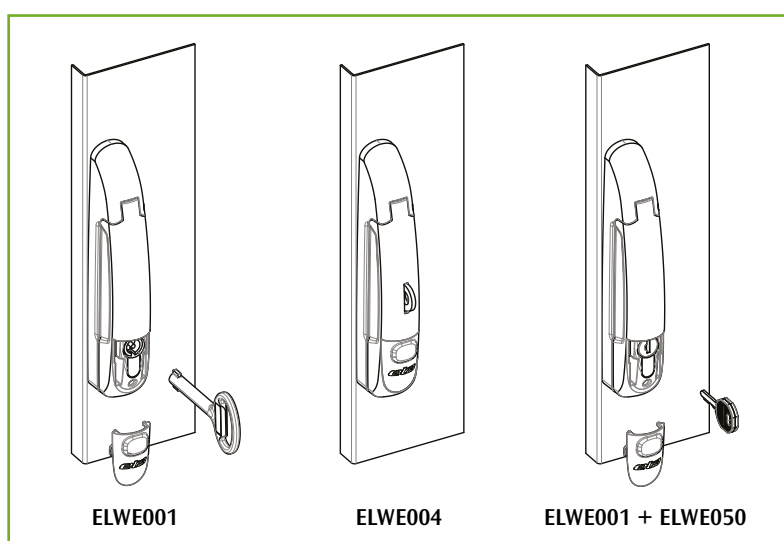
Available as standard on all sheet steel or stainless steel ETA cabinets, in the lever or fixed versions.

FUNCTIONALITY

User-friendliness of the control cabinet, easy assembly/disassembly of components, new cremone bolts, wide range of inserts available.

RELIABILITY

New construction concept and exclusive finishing.



INSERTS FOR "EASY LOCK" HANDLE

PRODUCT CODE	ARTICLE TYPE	DESCRIPTION
ELWE050	INSERT + KEY	HALF CYLINDER PROFILE 333 (WITH KEY)
ELWE051	INSERT + KEY	INSERT WITH KEY R455
ELWE052	INSERT + KEY	INSERT WITH KEY R405
ELWE053	INSERT	WITH 3 MM DOUBLE-BIT
ELWE054	KEY	WITH 3 MM DOUBLE-BIT
ELWE055	INSERT	WITH 5 MM DOUBLE-BIT
ELWE056	KEY	WITH 5 MM DOUBLE-BIT
ELWE057	INSERT	7 MM SQUARE
ELWE058	KEY	7 MM SQUARE
ELWE059	INSERT	7 MM TRIANGULAR
ELWE060	KEY	7 MM TRIANGULAR
ELWE061	INSERT	8 MM TRIANGULAR
ELWE062	KEY	8 MM TRIANGULAR
ELWE063	INSERT	FIAT
ELWE064	KEY	FIAT
ELWE065	INSERT	BUTTON VERSION




VIDEO TUTORIAL



Suite

Suite

"EASY LOCK" HANDLE						
PRODUCT CODE	ARTICLE TYPE	FEATURES	COLOUR AND FINISH	CENTRAL ROD TECHNICAL SPECIFICAT.	ETA LOGO	STANDARD APPLICATION
ELWE001	LEVER-OPERATED HANDLE	BODY AND CYLINDER-COVER IN POLYAMIDE, LEVER IN ZAMAK DOUBLE-BIT INSERT Ø 3 MM. SUPPLY COMPLETE WITH: HANDLE, INSERT, ROD, CAPS		GALVANISED ROD		E NUX / E MOX / E NUX EMC Sheet steel RAL7035
ELWE002	LEVER-OPERATED HANDLE	BODY AND CYLINDER-COVER IN POLYAMIDE, LEVER IN ZAMAK DOUBLE-BIT INSERT Ø 3 MM. SUPPLY COMPLETE WITH: HANDLE, INSERT, ROD, CAPS		GALVANISED ROD		E NUX / E MOX / E NUX EMC Sheet steel special RAL
ELWE003	LEVER-OPERATED HANDLE	BODY AND CYLINDER-COVER IN POLYAMIDE, LEVER IN ZAMAK DOUBLE-BIT INSERT Ø 3 MM. SUPPLY COMPLETE WITH: HANDLE, INSERT, STAINLESS STEEL ROD, CAPS		STAINLESS STEEL ROD		E NUX / E MOX / E COMP Stainless Steel
ELWE004	PADLOCKABLE LEVER-OPERATED HANDLE	BODY AND CYLINDER-COVER IN POLYAMIDE, LEVER IN ZAMAK DOUBLE-BIT INSERT Ø 3 MM. SUPPLY COMPLETE WITH: HANDLE, INSERT, ROD, CAPS		GALVANISED ROD		E NUX / E MOX / E NUX EMC Sheet steel RAL7035
ELWE005	PADLOCKABLE LEVER-OPERATED HANDLE	BODY AND CYLINDER-COVER IN POLYAMIDE, LEVER IN ZAMAK DOUBLE-BIT INSERT Ø 3 MM. SUPPLY COMPLETE WITH: HANDLE, INSERT, ROD, CAPS		GALVANISED ROD		E NUX / E MOX / E NUX EMC Sheet steel special RAL
ELWE006	PADLOCKABLE LEVER-OPERATED HANDLE	BODY AND CYLINDER-COVER IN POLYAMIDE, LEVER IN ZAMAK DOUBLE-BIT INSERT Ø 3 MM. SUPPLY COMPLETE WITH: HANDLE, INSERT, STAINLESS STEEL ROD, CAPS		STAINLESS STEEL ROD		E NUX / E MOX / E COMP Stainless Steel
ELWE007	LEVER-OPERATED HANDLE	BODY AND CYLINDER-COVER IN POLYAMIDE, LEVER IN ZAMAK DOUBLE-BIT INSERT Ø 3 MM. SUPPLY COMPLETE WITH: HANDLE, INSERT, ROD, CAPS		GALVANISED ROD		E NUX / E MOX / E NUX EMC Sheet steel RAL7035
ELWE008	LEVER-OPERATED HANDLE	BODY AND CYLINDER-COVER IN POLYAMIDE, LEVER IN ZAMAK DOUBLE-BIT INSERT Ø 3 MM. SUPPLY COMPLETE WITH: HANDLE, INSERT, ROD, CAPS		GALVANISED ROD		E NUX / E MOX / E NUX EMC Sheet steel special RAL
ELWE009	LEVER-OPERATED HANDLE	BODY AND CYLINDER-COVER IN POLYAMIDE, LEVER IN ZAMAK DOUBLE-BIT INSERT Ø 3 MM. SUPPLY COMPLETE WITH: HANDLE, INSERT, STAINLESS STEEL ROD, CAPS		STAINLESS STEEL ROD		E NUX / E MOX / E COMP Stainless Steel

PRODUCT CODE	ARTICLE TYPE	FEATURES	COLOUR AND FINISH	CENTRAL ROD TECHNICAL SPECIFICAT.	ETA LOGO	STANDARD APPLICATION
ELWE010	PADLOCKABLE LEVER-OPERATED HANDLE	BODY AND CYLINDER-COVER IN POLYAMIDE, LEVER IN ZAMAK DOUBLE-BIT INSERT Ø 3 MM. SUPPLY COMPLETE WITH: HANDLE, INSERT, ROD, CAPS		GALVANISED ROD		E NUX / E MOX / E NUX EMC Sheet steel RAL7035
ELWE011	PADLOCKABLE LEVER-OPERATED HANDLE	BODY AND CYLINDER-COVER IN POLYAMIDE, LEVER IN ZAMAK DOUBLE-BIT INSERT Ø 3 MM. SUPPLY COMPLETE WITH: HANDLE, INSERT, ROD, CAPS		GALVANISED ROD		E NUX / E MOX / E NUX EMC Sheet steel special RAL
ELWE012	PADLOCKABLE LEVER-OPERATED HANDLE	BODY AND CYLINDER-COVER IN POLYAMIDE, LEVER IN ZAMAK DOUBLE-BIT INSERT Ø 3 MM. SUPPLY COMPLETE WITH: HANDLE, INSERT, STAINLESS STEEL ROD, CAPS		STAINLESS STEEL ROD		E NUX / E MOX / E COMP Stainless Steel
ELWE013	FIXED HANDLE	POLYAMIDE COVER. DOUBLE-BIT INSERT Ø 3 MM. SUPPLY COMPLETE WITH: HANDLE, INSERT, ROD, CENTRAL BLOCK FOR DOOR WITH HINGES ON THE RH		GALVANISED ROD		E COMP Sheet steel RAL7035
ELWE014	FIXED HANDLE	POLYAMIDE COVER. DOUBLE-BIT INSERT Ø 3 MM. SUPPLY COMPLETE WITH: HANDLE, INSERT, ROD, CENTRAL BLOCK FOR DOOR WITH HINGES ON THE RH		GALVANISED ROD		E COMP Sheet steel RAL spc
ELWE015	FIXED HANDLE	POLYAMIDE COVER. DOUBLE-BIT INSERT Ø 3 MM. SUPPLY COMPLETE WITH: HANDLE, INSERT, ROD, CENTRAL BLOCK FOR DOOR WITH HINGES ON THE LH		GALVANISED ROD		E COMP Sheet steel RAL7035
ELWE016	FIXED HANDLE	POLYAMIDE COVER. DOUBLE-BIT INSERT Ø 3 MM. SUPPLY COMPLETE WITH: HANDLE, INSERT, ROD, CENTRAL BLOCK FOR DOOR WITH HINGES ON THE LH		GALVANISED ROD		E COMP Sheet steel RAL spc
ELWE066	LEVER-OPERATED HANDLE	BODY AND CYLINDER-COVER IN POLYAMIDE, LEVER IN ZAMAK KEY 333. SUPPLY COMPLETE WITH: HANDLE, INSERT, STAINLESS STEEL ROD, CAPS		STAINLESS STEEL ROD		E VIS and special cabinets (e.g. for C4)

MODULAR PLINTH EUZE

CHARACTERISTICS

Corner pieces manufactured from press bent sheet steel, with PVC front covers caps. Front and side cross-pieces manufactured from press bent sheet steel.

PAINT FINISH

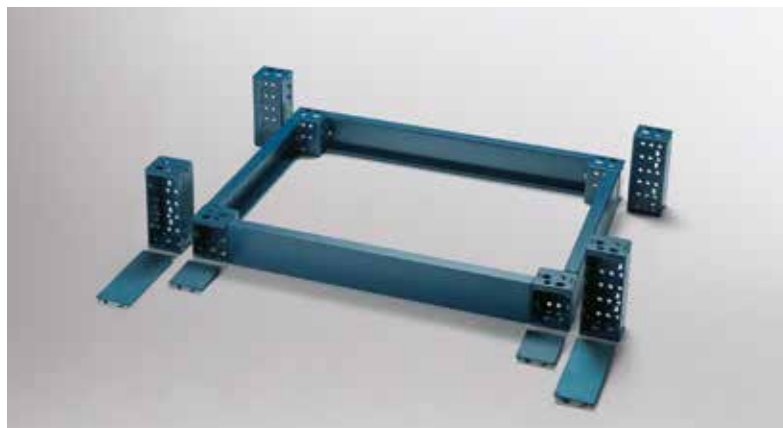
ETA standard finishing cycle: paint-based primer with deposition by cataphoresis with epoxy resin and finishing using thermosetting powders. Colour: RAL 5020 textured finish.



SUPPLY

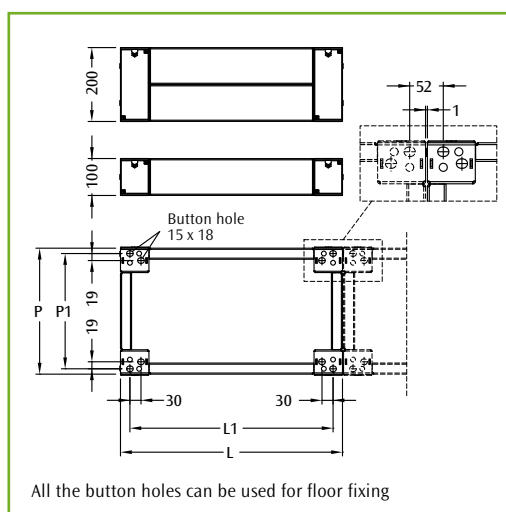
The modular plinth is made up of:

- corner pieces: supply includes 4 pieces complete with front covers and mounting hardware
- front crosspieces: supply includes 2 pieces
- side crosspieces: supply includes 2 pieces.



DIMENSIONAL SPECIFICATIONS

CABINET DIM.		PLINTH DIM.		CENT. DISTANCES	
L	P	L	P	L1	P1
300	400	300	378	249	349
300	500	300	478	249	449
300	600	300	578	249	549
300	800	300	778	249	749
400	400	400	378	349	349
400	500	400	478	349	449
400	600	400	578	349	549
400	800	400	778	349	749
600	400	600	378	549	349
600	500	600	478	549	449
600	600	600	578	549	549
600	800	600	778	549	749
600	1000	600	978	549	949
800	400	800	378	749	349
800	500	800	478	749	449
800	600	800	578	749	549
800	800	800	778	749	749
800	1000	800	978	749	949
1000	400	1000	378	949	349
1000	500	1000	478	949	449
1000	600	1000	578	949	549
1000	800	1000	778	949	749
1200	400	1200	378	1149	349
1200	500	1200	478	1149	449
1200	600	1200	578	1149	549
1200	800	1200	778	1149	749
1200	1000	1200	978	1149	949
1400	400	1400	378	1349	349
1400	500	1400	478	1349	449
1400	600	1400	578	1349	549
1400	800	1400	778	1349	749
1600	400	1600	378	1549	349
1600	500	1600	478	1549	449
1600	600	1600	578	1549	549
1600	800	1600	778	1549	749



UNIVERSAL CORNER PIECES

EUZE CODE	DESCRIPTION
EUZE-A100	CORNER PIECES FOR PLINTH H=100
EUZE-A200	CORNER PIECES FOR PLINTH H=200

Supply includes 4 pieces with mounting accessories.

SIDE/FRONT CROSSPIECES

EUZE CODE	DESCRIPTION	CROSS. LENGTH MM
EUZE-T0300	PLINTH CROSSPIECES L=300	144
EUZE-T0400	PLINTH CROSSPIECES L=400	244
EUZE-T0500	PLINTH CROSSPIECES L=500	344
EUZE-T0600	PLINTH CROSSPIECES L=600	444
EUZE-T0800	PLINTH CROSSPIECES L=800	644
EUZE-T1000	PLINTH CROSSPIECES L=1000	844
EUZE-T1200	PLINTH CROSSPIECES L=1200	1044
EUZE-T1400	PLINTH CROSSPIECES L=1400	1244
EUZE-T1600	PLINTH CROSSPIECES L=1600	1444

To order the front and side crosspieces H=200, add the suffix "D" to the code (i.e.: EUZE-T0300D). Supply includes 2 pieces.



WATERTIGHT PLINTH H=200 MM EUZ3

To be used as a conduit for cables passage and to protect cables from chemical agents and accidental shocks.

Suite

CHARACTERISTICS

Manufactured from press bent and welded sheet steel.

PAINT FINISH

ETA standard finishing cycle: paint-based primer with deposition by cathoporesis with epoxy resin and finishing using thermosetting powders. Colour: RAL 5020 textured finish.



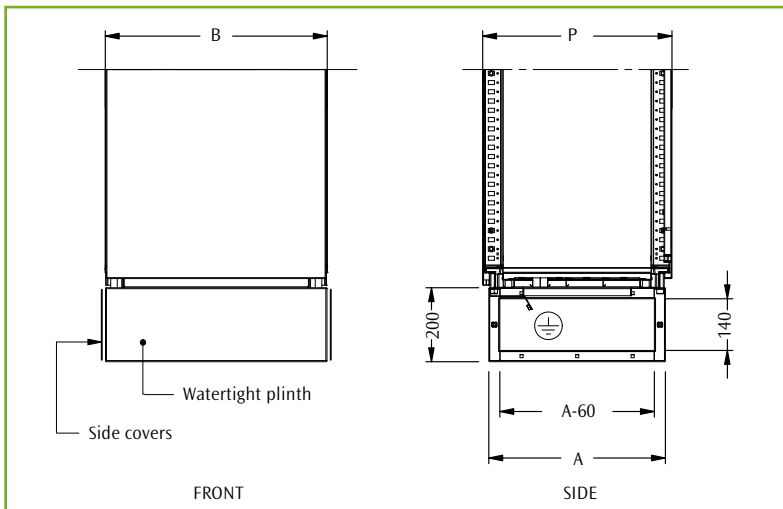
SUPPLY

- plinth (without covers)
- adhesive gasket
- mounting accessories.

Two side covers to be ordered separately.

WATERTIGHT PLINTH H=200 MM

EUZ3 CODE	CABINET DIM.		PLINTH	
	B	P	B	A
EUZ3-040040	400	414	400	378
EUZ3-040050	400	514	400	478
EUZ3-040060	400	614	400	578
EUZ3-040080	400	814	400	778
EUZ3-060040	600	414	600	378
EUZ3-060050	600	514	600	478
EUZ3-060060	600	614	600	578
EUZ3-060080	600	814	600	778
EUZ3-080040	800	414	800	378
EUZ3-080050	800	514	800	478
EUZ3-080060	800	614	800	578
EUZ3-080080	800	814	800	778
EUZ3-100040	1000	414	1000	378
EUZ3-100050	1000	514	1000	478
EUZ3-100060	1000	614	1000	578
EUZ3-100080	1000	814	1000	778
EUZ3-120040	1200	414	1200	378
EUZ3-120050	1200	514	1200	478
EUZ3-120060	1200	614	1200	578
EUZ3-120080	1200	814	1200	778



TWO SIDE COVERS EUFL

SUPPLY

- two side covers with gasket
- mounting accessories.

TWO SIDE COVERS

EUFL CODE	CABINET DEPTH
EUFL-000400	400
EUFL-000500	500
EUFL-000600	600
EUFL-000800	800

Suite

LIFTING DEVICE FOR JOINED CABINETS TR-01

CHARACTERISTICS

“L”-shaped profile dim. 100x50x8 mm, can be supplied up to L=5800 mm. Mathematic modelling report of the cabinet system in series and lifting bars.

PAINT FINISH

ETA standard finishing cycle: paint-based primer with deposition by cataphoresis with epoxy resin and finishing using thermosetting powders. Colour: RAL 5020 textured finish.



Available on request.



TRANSPORTATION PLINTH EUZU

Available in 2 versions:

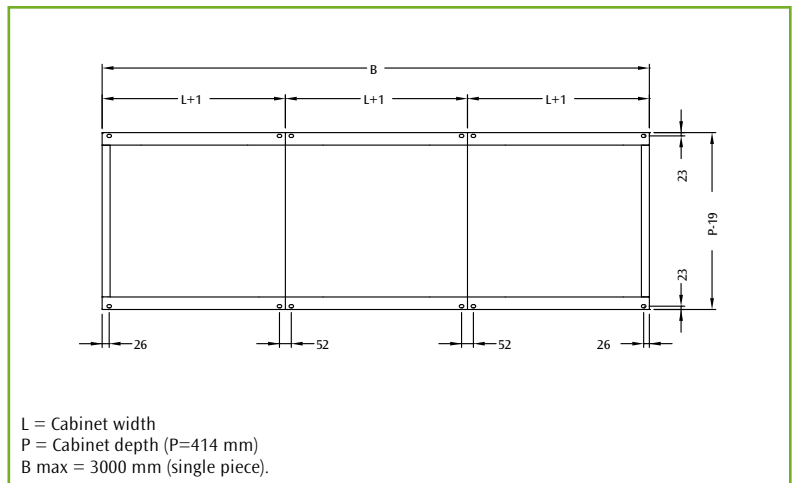
- 1 Manufactured from press bent sheet steel, 100 mm high
- 2 “U” shaped hot-rolled profile, 100 mm high.

PAINT FINISH

ETA standard finishing cycle: paint-based primer with deposition by cataphoresis with epoxy resin and finishing using thermosetting powders. Colour: RAL 5020 textured finish.



Available on request.



ANTI VIBRATION PLINTH EUZV

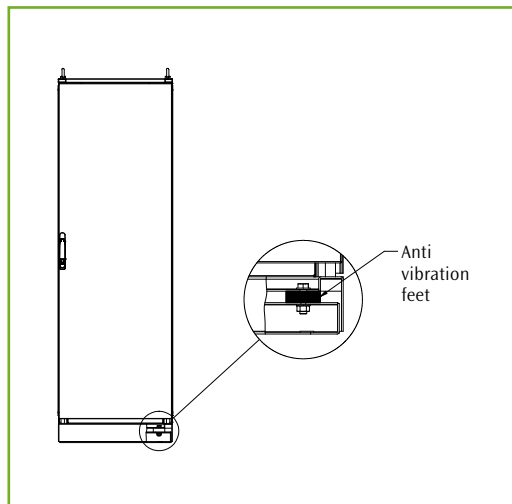
Manufactured from press bent sheet steel, H=100 mm, with special anti vibration devices.

PAINT FINISH

ETA standard finishing cycle: paint-based primer with deposition by cataphoresis with epoxy resin and finishing using thermosetting powders. Colour: RAL 5020 textured finish.



Available on request.



RAIN CANOPY EUTT

Particularly suitable for outdoor applications, where it is required an additional protection from atmospheric agents. We recommend the use of a cycle of special polyester painting for outdoor.

CHARACTERISTICS

Manufactured from sheet steel. Available for single cabinets or cabinets joined in a suite. H=40 mm.

PAINT FINISH

ETA standard finishing cycle: paint-based primer with deposition by cataphoresis with epoxy resin and finishing using thermosetting powders. Colour: RAL 5020 textured finish.



SUPPLY

Includes 1 piece complete with mounting accessories.

Mandatory for outdoor applications. Available on request in stainless steel and with different inclinations, angles and dimensions.



BLANK BASE EUFC

CHARACTERISTICS

Made up from a unique piece of galvanised sheet metal (for L=1000 and L=1200 mm composed of two parts), and compatible with E NUX cabinets (all standard dimensions) and E MOX cabinets (except L=1000). Suggestions for installation: mandatory for E NUX EMC cabinets and high IP; recommended for outdoor solutions (ETA Next Research Centre is available for advice).

SUPPLY

Includes 1 piece with mounting accessories.



RAIN CANOPY


EUTT CODE	CABINET DIMENSIONS	
	WIDTH	DEPTH
EUTT040040	400	400
EUTT040050	400	500
EUTT040060	400	600
EUTT040080	400	800
EUTT060040	600	400
EUTT060050	600	500
EUTT060060	600	600
EUTT060080	600	800
EUTT060100	600	1000
EUTT080040	800	400
EUTT080050	800	500
EUTT080060	800	600
EUTT080080	800	800
EUTT080100	800	1000
EUTT100040	1000	400
EUTT100050	1000	500
EUTT100060	1000	600
EUTT100080	1000	800
EUTT120040	1200	400
EUTT120050	1200	500
EUTT120060	1200	600
EUTT120080	1200	800
EUTT120100	1200	1000
EUTT140040	1400	400
EUTT140050	1400	500
EUTT140060	1400	600
EUTT140080	1400	800
EUTT160040	1600	400
EUTT160050	1600	500
EUTT160060	1600	600
EUTT160080	1600	800

BLANK BASE

EUFC CODE	DIMENSIONS	
	WIDTH	DEPTH
EUFC-040040	400	400
EUFC-040050	400	500
EUFC-040060	400	600
EUFC-040080	400	800
EUFC-060040	600	400
EUFC-060050	600	500
EUFC-060060	600	600
EUFC-060080	600	800
EUFC-080040	800	400
EUFC-080050	800	500
EUFC-080060	800	600
EUFC-080080	800	800
EUFC-100040	1000	400
EUFC-100050	1000	500
EUFC-100060	1000	600
EUFC-100080	1000	800
EUFC-120040	1200	400
EUFC-120050	1200	500
EUFC-120060	1200	600
EUFC-120080	1200	800
EUFC-140100	1400	1000
EUFC-160100	1600	1000

The seismic design study starts from the vulnerability evaluation of the structure located in different geographical scales. Thanks to the activity developed together with the Foundation Eucentre Pavia, TREES Lab (Laboratory for Training and Research in Earthquake Engineering and Seismology), we have set the following research activities:

- 1 Modelling and numerical simulation of the seismic response of two cabinets, in order to study, during the design phase, the behaviour that the systems considered (E NUX with anti-vibration plinth and E NUX with anti-seismic kit) would have manifested towards seismic actions in various geographical areas and on different soils.
- 2 Seismic simulation of the two cabinets dynamic behaviour on a vibrating table, with experimental tests on structures in order to realize experimental research on prototypes, also in large-scale (both static and dynamic tests).

 For more information, see the Technical section on page 349.

SEISMIC DESIGN				
EUKA CODE	VERSION	CABINET DIM.		
		L	A	P
EUKA-080060B	BASIC	800	ALL	600
EUKA-080080B	BASIC	800	ALL	800
EUKA-100060B	BASIC	1000	ALL	600
EUKA-080060M	MEDIUM	800	ALL	600
EUKA-080080M	MEDIUM	800	ALL	800
EUKA-082006S	STRONG	800	2000	600
EUKA-082008S	STRONG	800	2000	800



1 BASIC VERSION

TECHNICAL DATA

Peak acceleration ≤ 1G.
Mounting plate loaded up to 130 Kgs.

CHARACTERISTICS

- Plinth manufactured from press bent sheet steel, H=100, with anti-vibration elements and the possibility of floor fixing. Painting colour: RAL 5020 textured finish.
- Rails WTPR (2 pieces) mounted in depth for the central fixing of the mounting plate + WTSF-001.

2 MEDIUM VERSION

TECHNICAL DATA

Peak acceleration ≤ 1G.
Loaded mounting plate > 130 ≤ 450 Kgs.

CHARACTERISTICS

- Plinth manufactured from press bent sheet steel, H=100, with anti-vibration elements and the possibility of floor fixing. Painting colour: RAL 5020 textured finish.
- Rails WTPR (2 pieces) mounted in depth for the central fixing of the mounting plate + WTSF-001.
- 2 top and bottom fixing brackets for mounting plate, manufactured of galvanized steel.

3 STRONG VERSION

TECHNICAL DATA

Peak acceleration > 1G.
Loaded mounting plate ≤ 450 Kgs.

CHARACTERISTICS

- Plinth manufactured from press bent sheet steel, H=100, with anti-vibration elements and the possibility of floor fixing. Painting colour: RAL 5020 textured finish.
- Rails WTPR (2 pieces) mounted in depth for the central fixing of the mounting plate + WTSF-001.
- 2 top and bottom fixing brackets for mounting plate, manufactured of galvanized steel.
- 4 stiffening frames manufactured from galvanized steel.
- 8 stiffening structure brackets manufactured from galvanized steel.

COMPLIANT WITH THE TELCORDIA GR63 CORE SEISMIC REGULATION

In order to evaluate the performance of enclosures installed in zones with high seismic risk, the UBC (Uniform Building Code) is used as a reference. This establishes how the various areas of the building must be divided into zones with increasing level of severity (zone 4 = high risk).

In order to carry out the conformity tests, the study takes over in compliance with the American Bellcore regulation, which is used as a reference in the sector. Thanks to the collaboration with Fondazione Eucentre (Laboratory for Training and Research in Earthquake Engineering and Seismology - University of Pavia) and CESI, a pseudo-static study dedicated to modelling with elastic response spectra has been prepared to increase the ETA enclosures offer with seismic design, proposing specific solutions in compliance with the Bellcore (TELCORDIA-GR-63-CORE-Issue3, March 2006) seismic regulation.

4 SOLUTION E NUX SINGLE DOOR WITH ROTARY PLATE AND RACK

Bellcore Standard (TELCORDIA-GR-63-CORE-Issue3, March 2006) zone 1, 2 and 3

LOAD ON PLATE

Up to 1600 N with plate mounted in recessed version.

LOAD ON RACK FRAME

Up to 1000 N with decentralised rotary rack frame.

5 SOLUTION E NUX DOUBLE DOOR WITH MOUNTING PLATE AND SINGLE DOOR WITH RACK UPRIGHTS, JOINED IN SERIES

Bellcore Standard (TELCORDIA-GR-63-CORE-Issue3, March 2006) zone 1 and 2

LOAD ON PLATE

Up to 1600 N with plate mounted in recessed version.

LOAD ON RACK UPRIGHTS

Up to 2000 N.

6 SOLUTION E NUX DOUBLE DOOR WITH MOUNTING PLATE AND SINGLE DOOR WITH RACK UPRIGHTS, JOINED IN SERIES

Bellcore Standard (TELCORDIA-GR-63-CORE-Issue3, March 2006) zone 3

LOAD ON PLATE

Fino a 1600 N with plate mounted in recessed version.

LOAD ON RACK UPRIGHTS

Up to 2000 N.

ETA proposes 6 seismic design solutions. The ETA NEXT team will be able to suggest the best solution for your application:

THE CUSTOMER INDICATES:

- Place of installation
- Elastic response spectrum
- Peak acceleration and seismic zone according to Telcordia



THE ETA NEXT TEAM:

- Compares the report data available with the customer's data
- Assesses the various models and proposes the most suitable one
- Provides evidence of the choices proposed
- Suggests the best solution for the specific case

Technical support and skill make a difference when choosing a supplier.

Suite



SPECIAL SOLUTIONS FOR E NUX CABINETS WITH NEMA 4X / IP>55 OR NEMA 4

For IP protection rating or NEMA that are different from the standard (E NUX IP55 / NEMA 12), special cabinets supplied already mounted are available.

- Material: mild steel or stainless steel AISI304L / AISI316L
- Application: indoor or outdoor
- Version: single blank door cabinet in stand-alone version or joined in a suite.

SPECIAL CABINET NEMA 4X

- Material: stainless steel AISI304L or AISI316L
- Application: indoor or outdoor

CHARACTERISTICS

E NUX cabinet supplied already mounted, with panels provided with silicone seal, specific kit of screws and components, unique base plate for cable entry bottom. Mandatory rain canopy for outdoor applications, supplied not assembled on the cabinet.

For particularly harsh outdoor applications, we recommend the use of stainless steel solutions. For further information, see the Technical section or ask for our E BOOK.



SHROUD FOR FILTER FANS

In the presence of a ventilation or filtering system (cf. page 329), this cover kit determines maintenance of the IP protection rating in the event of heavy duty installation or environments.

CHARACTERISTICS

In galvanised sheet metal.

PAINTING

ETA standard finishing cycle: paint-based primer with deposition by cathaphoresis with epoxy resin and finishing using thermosetting powders. Colour: RAL 7035 textured finish.

SUPPLY

A single piece complete with assembly accessories.

PROTECTION RATING

- Filter/fan: IP56 compliant with EN60529.
- Protection rating guaranteed by the gasket.
- Resistance in saline mist and humidistat: pending.

Available also in stainless steel (cf. page 222).



SHROUD FOR FILTER FANS

WTCV CODE	COMPATIBLE WITH	
	FAN	GRID
WTCV10F	WTSV1000203 / WTSV1000211 WTSV1000220	WTSVG10
WTCV15F	WTSV1500203 / WTSV1500211 WTSV1500220	WTSVG15
WTCV20F	WTSV2000203 / WTSV2000211 WTSV2000220	WTSVG20
WTCV25F	WTSV2500203 / WTSV2500211 WTSV2500220 / WTSV2501203 WTSV2501220	WTSVG25
WTCV30F	WTSV3000203 / WTSV3000220 WTSV3001203 / WTSV3001220 WTSV3002203 / WTSV3002220 WTSV3002262	WTSVG30



RAL 7035



RAL 5020

SPECIAL CABINET IP>55

- Material: mild steel and stainless steel AISI304L or AISI316L
- Application: indoor or outdoor.

CHARACTERISTICS

E NUX cabinet supplied already mounted, with panels provided with silicone seal, specific kit of screws and components, unique base plate for cable entry bottom. Mandatory rain canopy for outdoor applications, supplied not assembled on the cabinet.

PAINT FINISH

For indoor applications:
ETA standard finishing cycle: paint-based primer with deposition by cataphoresis with epoxy resin and finishing using thermosetting powders.
Colour: RAL 7035 textured finish.

For outdoor applications:
ETA special finishing cycle: paint-based primer with deposition by cataphoresis with epoxy resin and finishing using thermosetting powders.
Colour: RAL 7035 smooth.



SPECIAL CABINET NEMA 4

- Material: mild steel
- Application: indoor or outdoor.

CHARACTERISTICS

E NUX cabinet supplied already mounted, with panels provided with silicone seal, specific kit of screws and components, unique base plate for cable entry bottom. Mandatory rain canopy for outdoor applications, supplied not assembled on the cabinet.

PAINT FINISH

For indoor applications:
ETA standard finishing cycle: paint-based primer with deposition by cataphoresis with epoxy resin and finishing using thermosetting powders.
Colour: RAL 7035 textured finish.

For outdoor applications:
ETA special finishing cycle: paint-based primer with deposition by cataphoresis with epoxy resin and finishing using thermosetting powders.
Colour: RAL 7035 smooth.



Suite



CASTORS WTRU-001

High quality polyamide wheels. Load capacity 120 kgs each wheel.

SUPPLY

Includes 4 pieces (2 rotating wheels, 2 wheels with brake).



LEVELLING FEET WTPX-001

They can be applied on the cabinet structure or plinth. Suitable for un-even floors or applications that require cleaning under the cabinet.

CHARACTERISTICS

In PVC, screws made from zinc steel.

SUPPLY

Includes 4 pieces with plate and mounting accessories.

Compatible with cabinets joined in series.

ONE PIECE CABLE ENTRY BOX FOR JOINED CABINETS

CHARACTERISTICS

Manufactured from press bent sheet steel.

PAINT FINISH

ETA standard finishing cycle: paint-based primer with deposition by cataphoresis with epoxy resin and finishing using thermosetting powders. Colour: RAL 7035 textured finish.

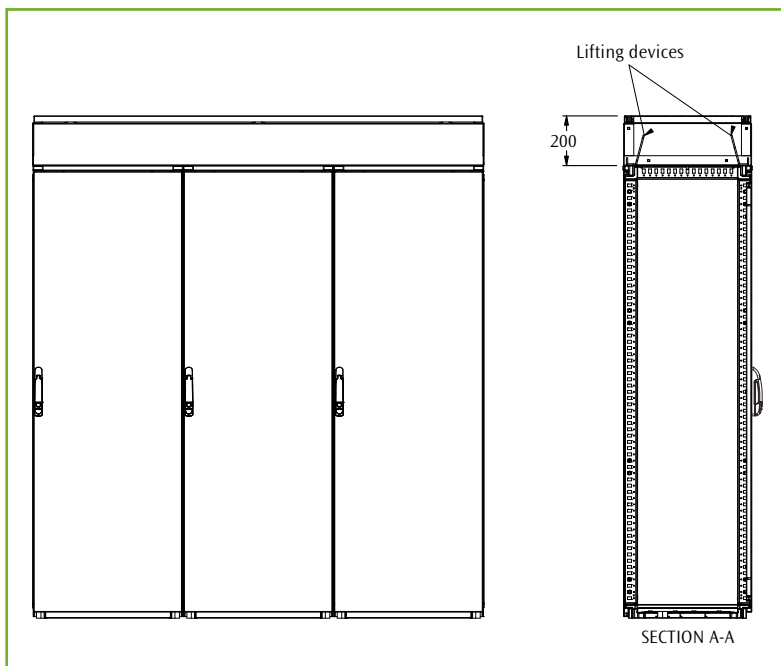


SUPPLY

Includes 1 piece cable entry box with lifting devices.



Available in one piece up to 1800 mm wide. Available on request.





CABLE ENTRY BOX

EUVC CODE	DIMENSIONS		B*	P**
	WIDTH	DEPTH		
EUVC040050	400	500	400	514
EUVC040060	400	600	400	614
EUVC040080	400	800	400	814
EUVC060050	600	500	600	514
EUVC060060	600	600	600	614
EUVC060080	600	800	600	814
EUVC080050	800	500	800	514
EUVC080060	800	600	800	614
EUVC080080	800	800	800	814
EUVC100050	1000	500	1000	514
EUVC100060	1000	600	1000	614
EUVC100080	1000	800	1000	814
EUVC120050	1200	500	1200	514
EUVC120060	1200	600	1200	614
EUVC120080	1200	800	1200	814

** Including front covers

CABLE ENTRY BOX EUVC

For mounting on cabinet roof, it offers complete accessibility from each side and allows cabling or bus-bar systems to be installed.

CHARACTERISTICS

Structure manufactured from sheet steel, complete with fixing and lifting joints.

PAINT FINISH

ETA standard finishing cycle: paint-based primer with deposition by cataphoresis with epoxy resin and finishing using thermosetting powders. Colour: RAL 7035 textured finish.



SUPPLY

- Includes:
- cable entry box H=204 mm with rear and front panel
 - adhesive gasket.

PROTECTION RATING

IP55.

To be ordered separately:

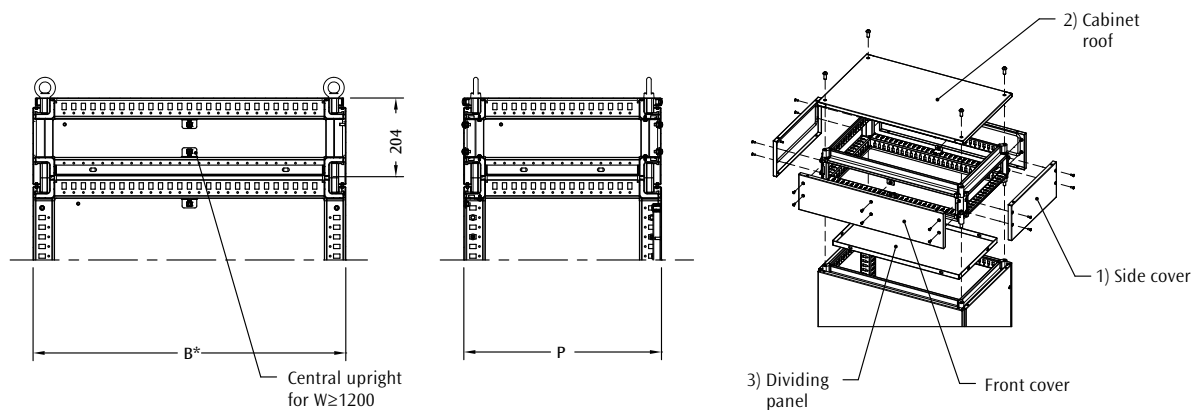
1. side covers
2. use cabinet roof to close top of cable entry box
3. dividing panel between cable entry box and cabinet is available on request (manufactured from sendzimir sheet steel including gasket).

SIDE COVERS (2 PIECES)

EUFB CODE	CABINET DEPTH
EUFB000500	500
EUFB000600	600
EUFB000800	800

DIVIDING PANEL (ON REQUEST)

EULC CODE	CABINET DIMENSIONS	
	WIDTH	DEPTH
EULC-040050	400	500
EULC-040060	400	600
EULC-040080	400	800
EULC-060050	600	500
EULC-060060	600	600
EULC-060080	600	800
EULC-080050	800	500
EULC-080060	800	600
EULC-080080	800	800
EULC-100050	1000	500
EULC-100060	1000	600
EULC-100080	1000	800
EULC-120050	1200	500
EULC-120060	1200	600
EULC-120080	1200	800



* With side covers mounted, add 12 mm

REINFORCING BRACKETS EUKU-003

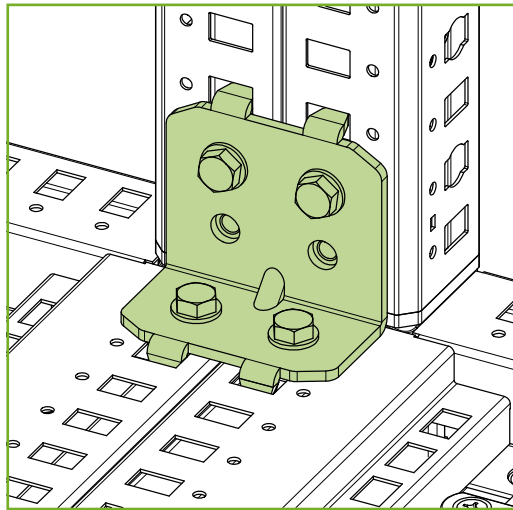
To be used to provide more rigidity to cabinets joined in a suite.

 **CHARACTERISTICS**

Manufactured from zincpassivated sheet steel.

 **SUPPLY**

Includes 4 pieces with mounting accessories.



UNIVERSAL JOINING KIT EUKU-008

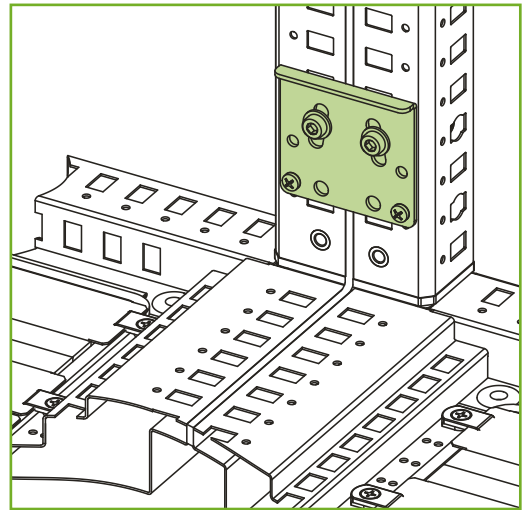
Fast-fixing joining kit, designed to easily join E NUX cabinets. The item combines the strenght of the solution to the flexibility of its application and assembly.

 **CHARACTERISTICS**

In zinc-passivated sheet steel, complete with adhesive gasket to ensure the IP protection rating.

 **SUPPLY**

Includes nr. 8 pieces with mounting accessories.



JOINING KIT EUKU-001/EUKU-002

To be used to join two cabinets together. It's recommended to use lifting brackets WTSS-001 instead of lifting eyebolts.

CHARACTERISTICS

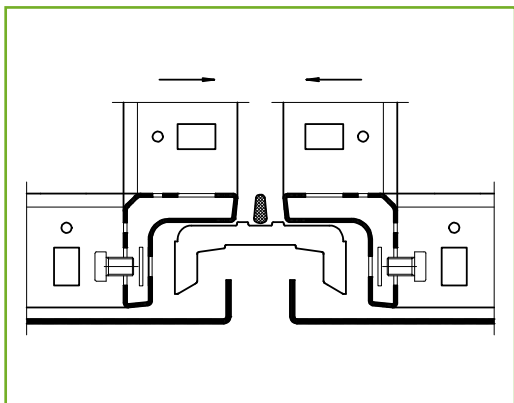
Union spacers and mounting accessories manufactured from zinc sheet steel with adhesive gasket to guarantee IP protection degree.

SUPPLY

Includes union spacers and fixing accessories.
 EUKU-001 includes 4 pieces for cabinet H=1400
 EUKU-002 includes 8 pieces for cabinet H=1600/1800/2000/2200.



JOINING KIT	
EUKU CODE	CABINET HEIGHT
EUKU-001	1400
EUKU-002	1600
EUKU-002	1800
EUKU-002	2000
EUKU-002	2200



ENUXsuite cabinets are provided with CE, ATEX, TUV, RINA, cULus, EAC, ROHS marks, with protection rating IP55, NEMA 12, IK10.

JOINING KIT EUKU-005/EUKU-006

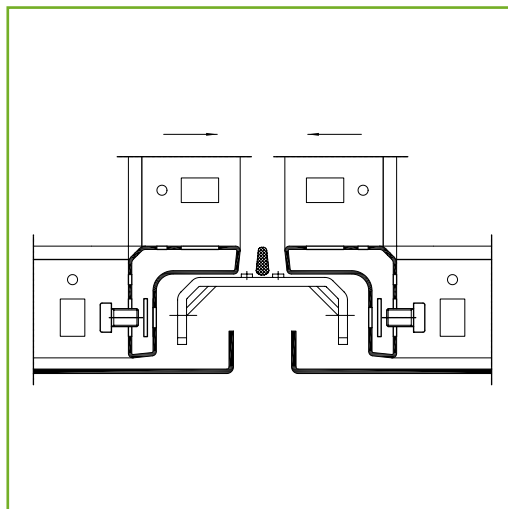
CHARACTERISTICS

Simplified solution of joining kit manufactured from 4.0 mm thick pressed zincpassivated sheet steel.

SUPPLY

EUKU-005 includes 4 pieces for cabinet H=1400
 EUKU-006 includes 8 pieces for cabinet H=1600/1800/2000/2200.

ENUXsuite cabinets are provided with CE, ATEX, TUV, RINA, cULus, EAC, ROHS marks, with protection rating IP55, NEMA 12, IK10.



JOINING KIT	
EUKU CODE	CABINET HEIGHT
EUKU-005	1400
EUKU-006	1600
EUKU-006	1800
EUKU-006	2000
EUKU-006	2200



🔍 Fixing brackets WTSF-001 to be ordered separately.

RAIL H=50 MM WTPR

A unique easy mounted rail is used for all applications (horizontal, lateral and vertical mounting).

📦 CHARACTERISTICS

Manufactured from sendzimir sheet steel with holes at 25 mm. To be assembled to the structure with fixing brackets for rails WTSF-001.

📦 SUPPLY

Includes 4 pieces.

RAILS H=50 MM	
WTPR CODE	RAIL LENGTH
WTPR-050040	300
WTPR-050050	400
WTPR-050060	500
WTPR-050080	700
WTPR-050100	900
WTPR-050120	1100
WTPR-050140	1300
WTPR-050160	1500
WTPR-050180	1700
WTPR-050200	1900
WTPR-050220	2100



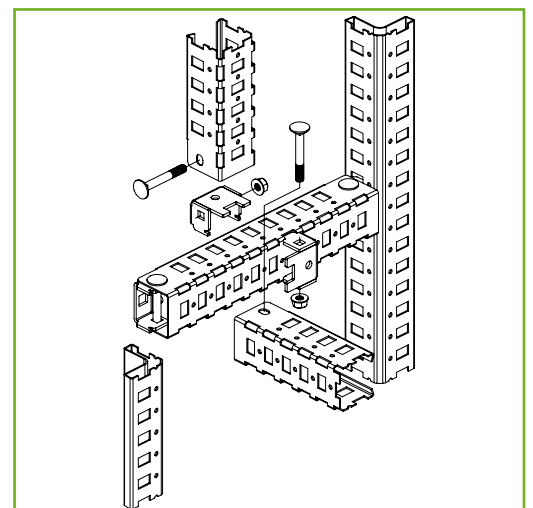
FIXING BRACKETS FOR RAILS WTSF-001

📦 CHARACTERISTICS

Manufactured from zincpassivated sheet steel.

📦 SUPPLY

Includes 8 pieces with mounting accessories.





Self-tapping screws WA218 (supply includes 50 screws Ø 5.5x13) to be ordered separately.

FAST FIXING BRACKETS WTPR - R

A cost effective solution allowing rapid fixing and professional result.

CHARACTERISTICS

Manufactured from sendzimir sheet steel.

SUPPLY

Includes 4 pieces.

RAILS H=25 MM

WTPR CODE	CABINET DIMENSIONS
WTPR-025040R	400
WTPR-025050R	500
WTPR-025060R	600
WTPR-025080R	800
WTPR-025100R	1000



WA218

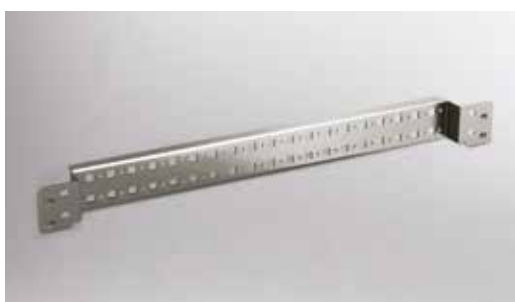
Zincpassivated self-tapping screws Ø 5.5x13.

SUPPLY

Includes 50 pieces.

RAILS H=50 MM

WTPR CODE	CABINET DIMENSIONS
WTPR-050040R	400
WTPR-050050R	500
WTPR-050060R	600
WTPR-050080R	800
WTPR-050100R	1000



Self-tapping screws WA218 (supply includes 50 screws Ø 5.5x13) to be ordered separately.

FAST-FIXING RAILS WTPR

Manufactured from sendzimir sheet steel, designed for the fixing in depth on E NUX or E MOX cabinets supplied with EUMI uprights.

SUPPLY

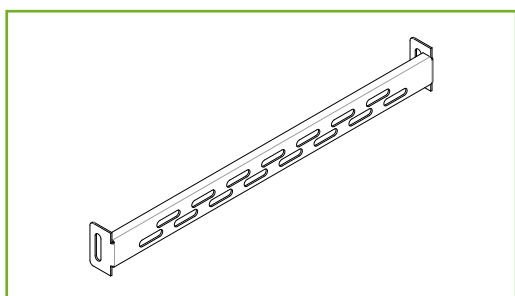
Includes nr. 4 pieces.

RAILS

WTPR CODE	CABINET DEPTH
WTPR-0600R	600
WTPR-0800R	800
WTPR-1000R	1000

REINFORCEMENT CROSSPIECES EUTC

EUTC CODE	CABINET DEPTH
EUTC-000500	500
EUTC-000600	600
EUTC-000800	800
EUTC-001000	1000



REINFORCEMENT CROSS-PIECES FOR FIXING INSTRUMENTS EUTC

CHARACTERISTICS

Manufactured from galvanised sheet steel, with appropriate slots to allow the fixing of instruments on E NUX cabinet side panels.

SUPPLY

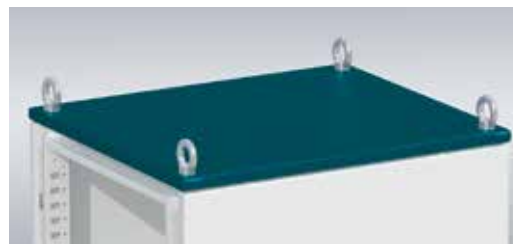
Includes 2 pieces with mounting accessories.



EYEBOLTS WTGS-001

CHARACTERISTICS
Zincpassivated M12 lifting eyebolts.

SUPPLY
Includes 4 pieces.

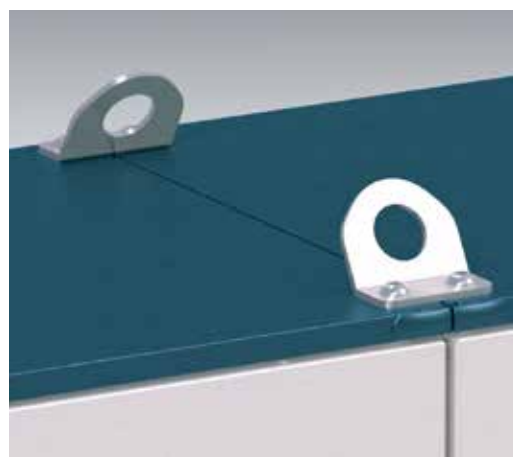


LIFTING BRACKETS WTSS-001

CHARACTERISTICS
Lifting brackets manufactured from zincpassivated sheet steel.

SUPPLY
Includes 4 pieces.

🔍 If 2 lifting brackets only are needed, order WTSS-001CP.



180° DOOR HINGES EUCE

Hinges for 180° opening to be mounted on standard doors, complete with mounting accessories.

CHARACTERISTICS
Manufactured from pressed zama.

🔍 To be ordered separately side panels EUFI-C for the assembly on the side provided with 180° hinges, see page 58.

180° HINGES

EUCE CODE	DOOR HEIGHT	N. PCS. / PACK	COLOUR
EUCE-181-5020B	1800 - 2000	4	5020 ■
EUCE-182-5020B	2200	5	5020 ■
EUCE-183-5020B	1400 - 1600	3	5020 ■
EUCE-181-9011B	1800 - 2000	4	9011 ■
EUCE-182-9011B	2200	5	9011 ■
EUCE-183-9011B	1400 - 1600	3	9011 ■
EUCE-181-7035B	1800 - 2000	4	7035 ■
EUCE-182-7035B	2200	5	7035 ■
EUCE-183-7035B	1400 - 1600	3	7035 ■
EUCE-181-7025B	1800 - 2000	4	7025 ■
EUCE-182-7025B	2200	5	7025 ■
EUCE-183-7025B	1400 - 1600	3	7025 ■

DOOR INTERLOCK WTBP-001

This mechanical door interlock allows the opening of the second door only when the main one is open.

CHARACTERISTICS
Manufactured from zincpassivated sheet steel.

SUPPLY
Includes 1 piece supplied with mounting accessories.



DOOR LOCK FOR CABINETS JOINED IN A SUITE WTBP

It can be used on E NUX enclosures joined in a suite, as a complement to the door lock of the standard main switches. The secondary doors in line are opened only after the main door/s has opened. The position of the main switch of flat-pack enclosures is not binding, as it is independent of the door recess. The opening/closing of secondary doors occurs simultaneously, following the locking/unlocking of the door with the main switch.

CHARACTERISTICS

Door lock parts manufactured from galvanized sheet steel. Connection blocks and transmission rods manufactured from galvanized sheet steel.

1 WTBP-001

Control device for enclosure with main switch (main panel). Consider one piece per battery.

2 WTBPB-001

Door lock for cabinets joined in a suite (to be installed on secondary cabinets). Consider one piece for each single door and master door of the double door cabinet.

4 WTBP-060 W=600

WTBP-080 W=800

WTBP-120 W=1200

WTBP-140 W=1400

WTBP-160 W=1600

Transmission rods (1 piece) to transfer the lock status from the main to the secondary enclosures. For each secondary enclosure, one rod of the same size as the enclosure is required.

3 + 5 WTBP-001

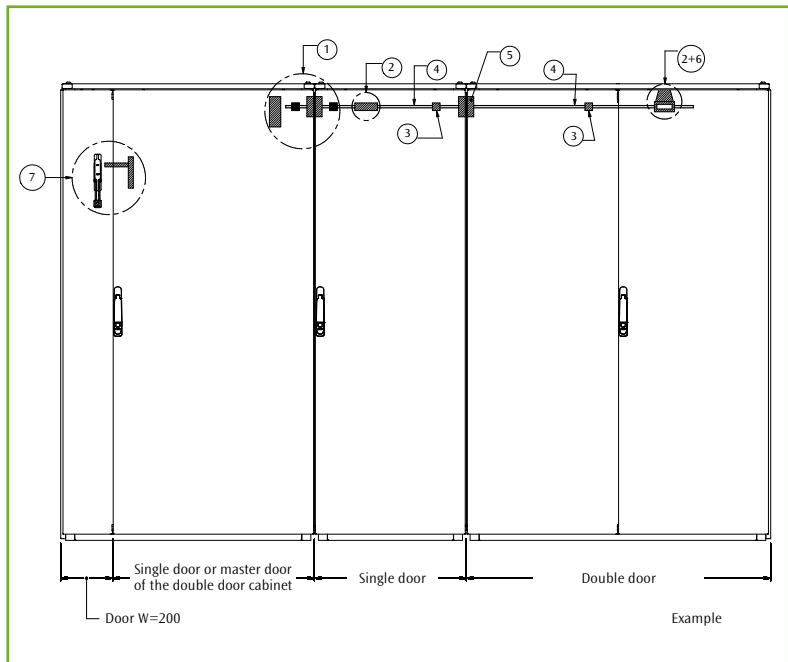
Rod joining blocks (5 pcs) and intermediate supports (5 pcs).

6 WTBP-001

Door block support for final enclosure. Consider one piece per battery.

WTBPB-002 (Suggested)

Safety kit for complete door closing of secondary cabinets in case of closing the main cabinet door. Consider one piece for each WTBPB-001.



Suite

DISCONNECTING SWITCH WTBP-001 (US VERSION)

Regulations for the US market prescribe a safety lock for a single enclosure or a set of flat-pack enclosures. The disconnecting switch can be installed only with the following models of main switches:

- 1494U (activation lever - includes ranges of power up to 600A) - Allen Bradley
- 9422 A1 - Square D
- Max Flex Series/ FHOH - ITE Siemens
- Type 1 and 2 - General Electric TDA.

7 WTBP-001

Safety lock for main door (for US). Consider one piece per cabinet.

For complete installation, a system with door lock for main enclosure, locks for secondary doors and transmission rods of the same width as the enclosure is required.

CHARACTERISTICS

Door lock parts manufactured from galvanized sheet steel.

COMPOSITION OF THE DOOR LOCK

- 1 Main cabinet (double or single door stopped): use control device WTPBC-001 and safety kit WTBPB-002. Optional: safety lock WTBP-001. As an alternative to WTPBC-001, door lock WTBP-001.
- 2 Secondary cabinet: use door lock for cabinets in line WTBPB-001 + rod WTBP-001 (on the basis of the width of the cabinet).
- 3 Add WTBP-001 for every other cabinet in series.
- 4 Attention: select WTBP-001 on the basis of the width of every cabinet or total length of the series.
- 5 To close the composition, for the last cabinet envision the door block support WTBP-001.

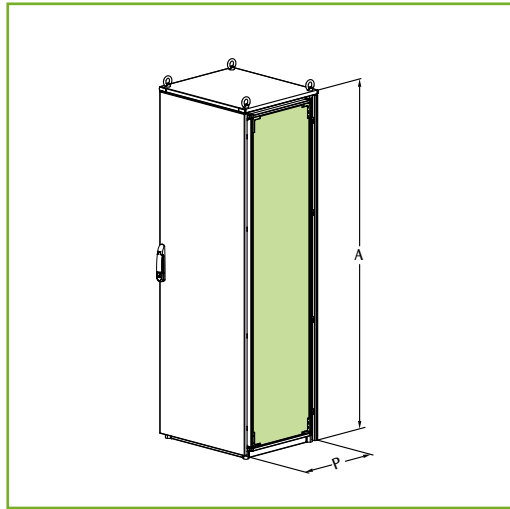


BLANK VERTICAL DIVIDING PANEL EUD1

Manufactured from sendzimir sheet steel then folded on the sides. To be used to separate two cabinets.

SUPPLY

Includes 1 piece complete with mounting accessories.



BLANK VERTICAL DIVIDING PANEL

EUD1 CODE	CABINET DIMENSIONS	
	P	A
EUD1-040140	414	1409
EUD1-040160	414	1609
EUD1-040180	414	1809
EUD1-040200	414	2009
EUD1-050140	514	1409
EUD1-050160	514	1609
EUD1-050180	514	1809
EUD1-050200	514	2009
EUD1-050220	514	2209
EUD1-060160	614	1609
EUD1-060180	614	1809
EUD1-060200	614	2009
EUD1-060220	614	2209
EUD1-080180	814	1809
EUD1-080200	814	2009
EUD1-080220	814	2209

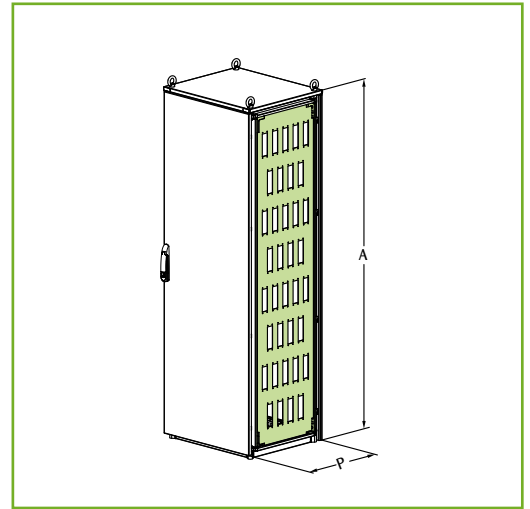
When we have 2 suite cabinets + EUD1, the protection rating inside the cabinet is IP2X.

PUNCHED PARTITION PANEL EUD2

Punched partition panel for 24 pole connectors, manufactured from sendzimir sheet steel.

SUPPLY

Includes 1 piece complete with mounting accessories.



PUNCHED PARTITION PANEL

EUD2 CODE	CABINET DIMENSIONS		
	P	A	HOLES NO.
EUD2-050180	514	1809	36
EUD2-050200	514	2009	40
EUD2-060180	614	1809	44
EUD2-060200	614	2009	49
EUD2-080180	814	1809	68
EUD2-080200	814	2009	76

When we have 2 suite cabinets + EUD2, the protection rating inside the cabinet is IP2X.

WE350Z

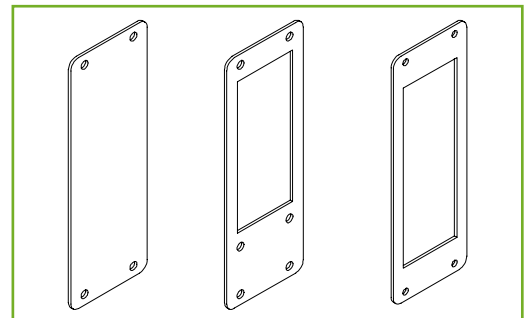
Closing plate (supply includes 1 piece).

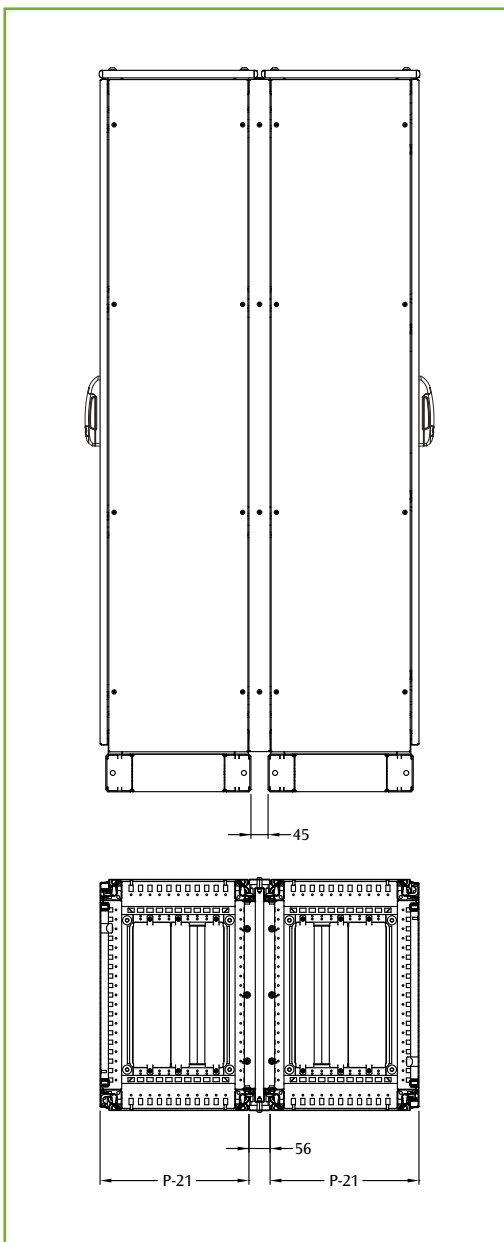
WE351Z

Reducer 24/16 poles (supply includes 1 piece).

WE352

Gasket (supply includes 1 piece).





FRAME JOINING KIT BACK TO BACK EUTP

CHARACTERISTICS

Special kit to join cabinets back to back, manufactured from press bent sheet steel.

PAINT FINISH

ETA standard finishing cycle: paint-based primer with deposition by cataphoresis with epoxy resin and finishing using thermosetting powders. Colour: RAL 7035 textured finish.



SUPPLY

- joining frame
- trim covers with gasket and mounting accessories.

FRAME JOINING KIT BACK TO BACK

EUTP CODE	CABINET DIMENSIONS	
	WIDTH	HEIGHT
EUTP060180	600	1800
EUTP080180	800	1800
EUTP100180	1000	1800
EUTP120180	1200	1800
EUTP060200	600	2000
EUTP080200	800	2000
EUTP100200	1000	2000
EUTP120200	1200	2000

DIMENSIONAL SPECIFICATIONS

CABINET DEPTH	P
400	414
500	514
600	614
800	814
1000	1014

Suite



CORNER CABINET

CHARACTERISTICS

Manufactured from press bent sheet steel.

PAINT FINISH

ETA standard finishing cycle: paint-based primer with deposition by cataphoresis with epoxy resin and finishing using thermosetting powders. Colour: RAL 7035 textured finish.

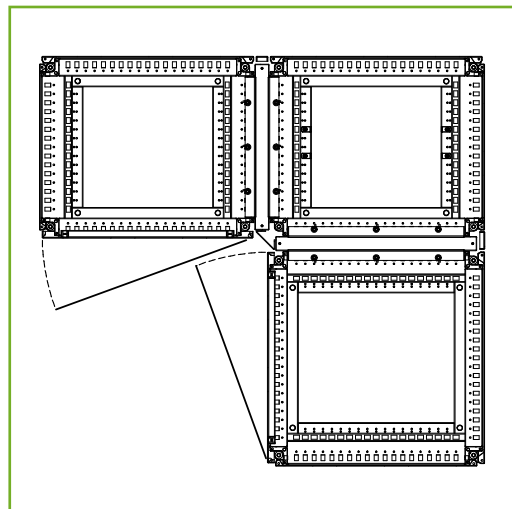


SUPPLY

- joining frame
- removable front trim panel
- side trim panels
- gasket and mounting accessories.

PROTECTION RATING

- IP55 complying with IEC EN62208; EN60529
- NEMA 12 complying with UL508A; UL50
- impact resistance IK10 complying with IEC EN62208; EN62262.



Available on request.

UNIVERSAL WORK SHELF EURL001

Ideal for positioning programming equipment, or as a simple support shelf, this unit can be folded down thanks to its special system of guides.

Furnished in a single size (W=420 mm and D=400mm), the shelf can be adjusted to three positions (50° / 70° / 90°), and can be mounted directly onto the reinforcing frame of the solid doors E NUX W = 600. For W> 600, order the universal shelf EURL001 with a pair of WTTO door crossbars.

Maximum load carrying capacity: 20kg.

STRUCTURE

Manufactured in galvanised sheet metal.

COMPOSITION

Single piece complete with supporting rods and mounting accessories.

See the following page for the WTTO crossbars.



EXTERNAL SHELF WTRE000600

Equipped with guides and a double flap closing system, this unit can be mounted on the exterior side of the ETA cabinets' solid doors (door customization must be requested at the time of the order).

STRUCTURE

Made from sheet steel.

COATING

ETA standard finishing cycle: paint-based primer with deposition by cataphoresis with epoxy resin and finishing using thermosetting powders. Colour: RAL 7035 textured finish.



COMPOSITION

Single piece complete with guides and mounting accessories.

PLAN POCKET WTTS

CHARACTERISTICS

Large size plan pocket manufactured from sheet steel.

PAINT FINISH

ETA standard finishing cycle: paint-based primer with deposition by cataphoresis with epoxy resin and finishing using thermosetting powders. Colour: RAL 7035.



SUPPLY

Includes 1 piece complete with mounting screws.

PLAN POCKET	
WTTS CODE	CABINET WIDTH
WTTS000500	500
WTTS000600	600
WTTS000700	700
WTTS000800	800
WTTS001000	1000



PLAN POCKET WA050

A4 sheet size plan pocket manufactured from thermoplastic material.

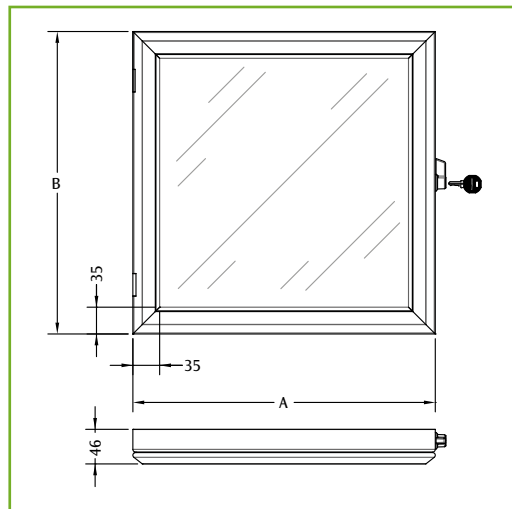
SUPPLY

Includes 1 piece with double sided adhesive tape.

ALUMINIUM WINDOW WIPX

To be used to protect components mounted on the door. Manufactured from anodized aluminium with glazed panel and sealing gasket.

SUPPLY
Includes 1 piece.



ALUMINIUM WINDOW

WIPX CODE	A	B
WIPX-44	400	400
WIPX-54	500	400
WIPX-55	500	500
WIPX-66	600	600

Other dimensions available on request from 300x300.



Aluminium windows available

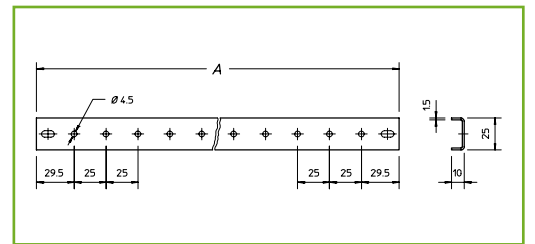
ECFA - see page 183
ECPV - see page 183

DOOR RAIL WTTO

To be applied to the door stiffening frame to allow the fixing of cables or trunking.

CHARACTERISTICS
Manufactured from sendzimir sheet steel.

SUPPLY
Includes 2 pieces complete with mounting accessories.



DOOR RAIL

WTTO CODE	CABINET WIDTH	A
WTTO-000400	400	284
WTTO-000600	600-1200	484
WTTO-000700	1400	584
WTTO-000800	800-1600	684
WTTO-001000	1000	884

CABLE HOLDING BAR WTSU-001

C-shaped drilled bar with 30x15 mm dimensions, to be mounted horizontally for anchoring and structured cabling.

CHARACTERISTICS

Manufactured from sheet steel.

SUPPLY

Includes one piece (L=2000 mm). Exact length to be specified when ordering.

Supporting brackets WTSQ-001 for width < 800 or WTSQ-005 for width ≥ 1000 to be ordered separately.



SUPPORTING BRACKETS WTSQ-001

Required to fasten the WTSU cable holding bar to the back panel. Fully compatible with 25 mm pitch drilling, they can be used as universal supporting brackets.

CHARACTERISTICS

Manufactured from die-cast zinc alloy.

SUPPLY

Package with 2 pieces complete with screws (see A).

For cabinet width ≥ 1000, order code WTSQ-005 (including 3 brackets and a compensation shim - see B).



Fig. A



Fig. B

CABLE CLAMPING BRACKET WTSM

To be applied onto WTSU cable holding bar.

CABLE CLAMPING BRACKET

WTSM CODE	CABLE Ø EXT. IN MM	SUPPLY
WTSM-016	16	10 pcs.
WTSM-032	32	10 pcs.
WTSM-052	52	5 pcs.
WTSM-082	82	5 pcs.



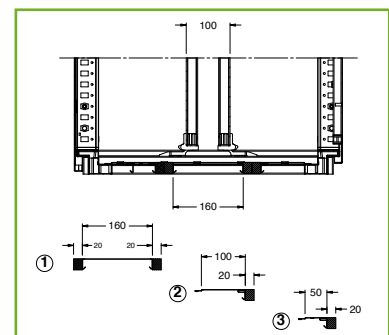
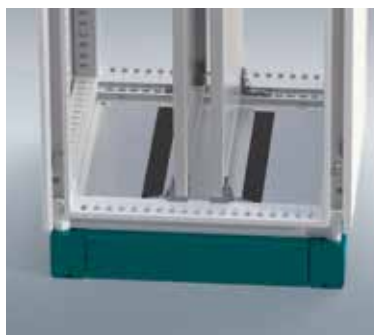
MODULAR BASE PLATE FOR CABLE ENTRY WTTG

CHARACTERISTICS

Modular elements manufactured from 1.0 mm thick sheet steel to customise the cable entry according to the final application. For dimensions, see pages 33, 34 and 41 - columns E / F.

SUPPLY

Includes 1 piece complete with gasket for W≤800 mm.
Includes 2 pieces complete with gasket for W≥1000 mm.



BASE PLATE FOR DOUBLE MOUNTING PLATE

BASE PLATE	CABINET WIDTH						
	400	600	800	1000*	1200*	1400*	1600*
1 (D=160 MM)	WTTG-040160	WTTG-060160	WTTG-080160	WTTG-100160	WTTG-120160	WTTG-140160	WTTG-160160
2 (D=100 MM)	WTTG-040100	WTTG-060100	WTTG-080100	WTTG-100100	WTTG-120100	WTTG-140100	WTTG-160100
3 (D=50 MM)	WTTG-040050	WTTG-060050	WTTG-080050	WTTG-100050	WTTG-120050	WTTG-140050	WTTG-160050

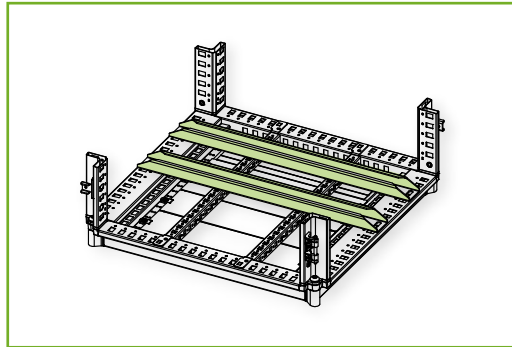
* Cabinets with double cable entry

TRANSFORMER SUPPORT WTST


Manufactured from press bent sendzimir sheet steel allowing the sliding of special nuts. The two rails and the nuts are adjustable, thus allowing easy fixing and positioning of transformers.

SUPPLY

Includes 2 rails with mounting accessories.



TRANSFORMER SUPPORT	
WTST CODE	CABINET WIDTH
WTST-000400	400
WTST-000600	600
WTST-000800	800
WTST-001000	1000
WTST-001200	1200
WTST-001400	1400
WTST-001600	1600

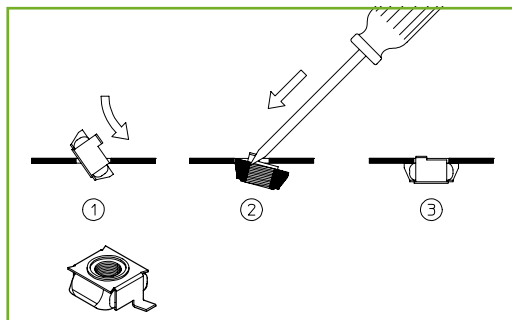
 For E NUX cabinet with medium/high loads, fast fixing brackets are suggested (please check on page 75).



CAGE NUTS M8 WTDA-001

CAGE NUTS M6 WTDA-002

Supply includes 20 pieces.



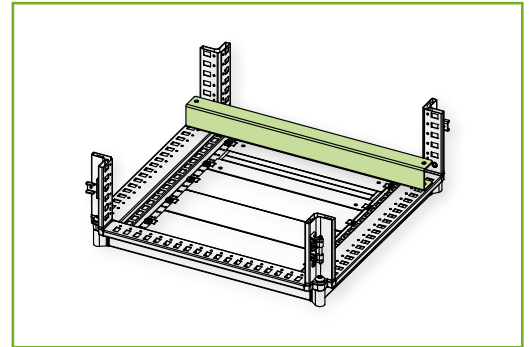
RAILS FOR CABLE FIXING WTTF

CHARACTERISTICS

Manufactured from zincpassivated sheet steel.

SUPPLY

Includes 1 piece with mounting accessories.



RAILS FOR CABLE FIXING	
WTTF CODE	CABINET WIDTH
WTTF-000400	400
WTTF-000600	600
WTTF-000800	800
WTTF-001000	1000
WTTF-001200	1200
WTTF-001400	1400
WTTF-001600	1600



WA385

Special sliding nuts to fix transformer. Supply includes 4 nuts, screws and washers.



MARKER WI7035

Easy to use, it is used for minor adjustment on painted surfaces. Colour: RAL 7035

VDE OUTLET WTVD-001

For application on DIN profile.
Dimensions: W x H x D = 52 x 52 x 59.



MICROSWITCH WI100

Complying with IEC 337-VDE 0660.
Fast-installed thermoplastic support.

SUPPLY

Includes microswitch with support and mounting accessories.

CONFORMITY AND APPROVAL



THREE-PHASE FLASHING SAFETY DEVICE WI105

The device indicates the power status of the distribution board and shows it visually by means of three high-yield LEDs. It is connected directly after the main switch and positioned so that it is clearly visible when the door is opened. Flashing indicates dangerous voltage.

The electronic circuit based on SMD technology is optimized for multiple voltage RATING (110÷690V) both for single-phase and three-phase circuits. The safety device WI105 is also provided with electrically separated protection terminals to insulate the parts under voltage, suitable for large section wires (2,5 mm²) and with screw terminals up to 5 mm diameter.

SUPPLY

- metal fixing bracket
- flashing device
- interlocking limit switch with NC contact for auxiliary circuits.

CONFORMITY AND APPROVAL



Compliant with IEC 947-5-1 CEI 7.45 EN60947.5.1.

PROTECTION CLASS

II.



 Upon request, a N.O. contact WI107 can be supplied separately.



LAMP WTLA-080

Long-lasting and energy-saving LED lamp, that can be fixed with brackets or magnetic support.

Up to 10 lamps can be mounted.

Power: 5W

Life cycle: 60.000h at +20°

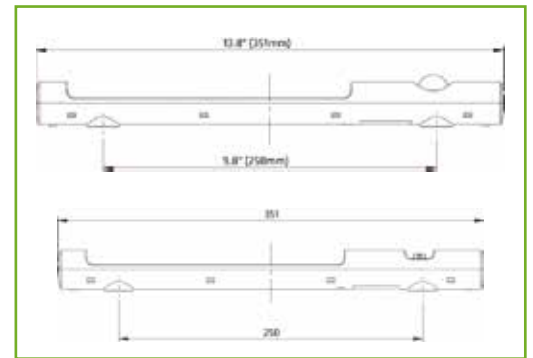
Connection: 2-pole connector with snap lock

AC: max. 2,5 A / 240 V AC, colour: white

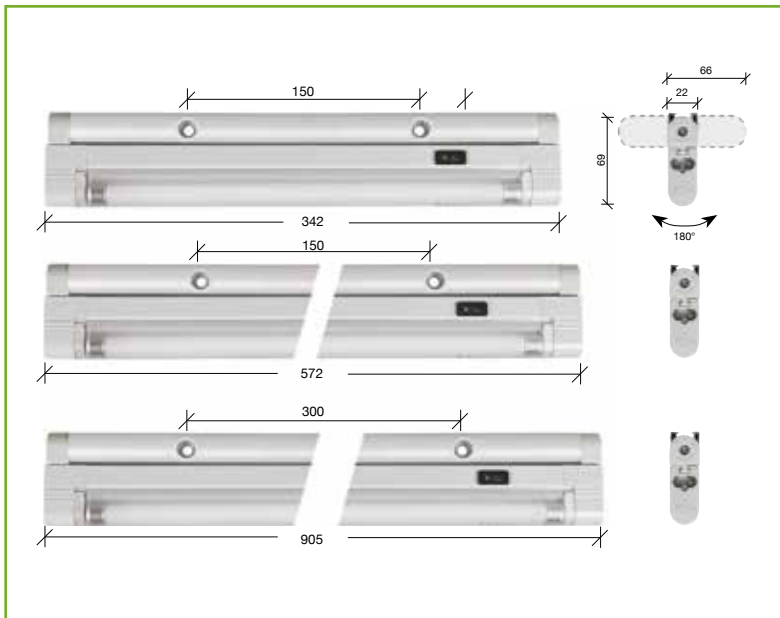
DC: max. 2,5 A / 60 V DC, colour: blue

PROTECTION RATING:

IP20 / II



Magnetic support available WTPM-002.



FLUORESCENT ELECTRONIC LAMP

A complete lighting system for industrial cabinets, featured by a compact shape and eye-catching design. The lamp can be easily fastened on the cabinet and allows an orientation of 180°; up to 5 lamps can be mounted in a single cabinet.

CHARACTERISTICS

Casing in aluminium finishing, diffuser in methacrylate with switch.

SUPPLY

Includes 1 piece supplied with adjustable fixing brackets, mounting accessories and a bipolar connector for the wiring.

Available on request: magnetic mounting kit, male double pole connector for sequential lamps wiring, system positioning limit switch.



FLUORESCENT ELECTRONIC LAMP

110 ÷ 130V	220 ÷ 240V	W	LIGHT	WEIGHT
AC 50 ÷ 60 Hz	AC 50 ÷ 60 Hz			
WTLA-085 *	WTLA-095	8	400	380
WTLA-090 *	WTLA-100	13	600	560
	WTLA-105	21	900	860

* INTERTEK - ETL approval for USA and Canada




FLUORESCENT LAMP WTLA-030/WTLA-035

Fluorescent lamp 11W, 230V nominal voltage, with SCHUKO style power suitable for all the cabinets and panels:

- the installation support is included and further devices can be used
- the lamp can be mounted with screws on narrow or large areas and it can be fixed to DIN profiles of 35 mm
- available on request without plug (WTLA-035).



 Order fixing bracket WTSL-002 or magnetic support WTPM-001 separately.



LAMP SUPPORT WTSL-002

Manufactured from sendzimir sheet steel.



MAGNETIC PLATE WTPM-001

Compatible with previous range WTLA-030, WTLA-035, WTLA-050, WTLA-060, WTLA-065, WTLA-070.



MAGNETIC PLATE WTPM-002

Compatible with WTLA-085, WTLA-090, WTLA-095, WTLA-100, WTLA-105.

Used in alternative when the space available for fixing the lamp is reduced.

POWER CONNECTOR WTCA-001

Power connector for lamp joined in sequence.

 **SUPPLY**

Includes 1 piece with mounting accessories.

Suite



The ETA modular cabinet system with ETA patented busbar and support system meets these requirements:

Short circuit withstand test, conducted at the Bergamo ABB Sace laboratory and issued certificate no. 14116/00. A panel with the short circuit withstand values described above can be created meeting the data indicated in the "MAX BUSBAR SUPPORT DISTANCE" for Max 3200A rated current capacity according to the "Admissible copper busbar current carrying capacity" DIN43671 standard.

TECHNICAL FEATURES


Rated frequency	50Hz
Rated voltage Ue	400V~ o 690V~
Rated insulated voltage Ui	1000V
Rated impulse withstand voltage Uimp	12kV
Rated current	Up to 3200A In
Rated short-time withstand current Icw/1s	Up to 100kA
Admissible rated peak withstand current Ipk	Up to 220kA
Forms of segregation	Up to 4b
Normal operating conditions	Ambient T ≤ 40°C
	Pollution rating ≤ 3
	Installation height ≤ 2.000mt

MAXIMUM DISTANCE BETWEEN BUSBAR SUPPORTS

CAPACITY DIMENSIONS	BUSBAR DIMENSIONS	PHASES VALUE	Icw (kA)							
			30	40	50	60	70	80	100	
A	MM	MM								
630	1x40x10	117	560	420	380	-	-	-	-	
		143	600	500	440	-	-	-	-	
800	1x50x10	117	560	420	420	340	-	-	-	
		143	760	500	460	360	-	-	-	
1250	1x80x10	117	560	420	420	340	240	200	-	
		143	800	500	460	360	300	240	-	
1600	1x100x10	117	560	420	420	340	240	200	-	
		143	800	500	460	360	300	240	-	
2000	2x80x10	117	800	500	500	420	340	300	240	
		143	800	600	520	420	380	300	240	
2500	2x100x10	117	900	620	500	460	420	360	240	
		143	900	700	520	500	440	400	280	
3200	3x100x10	143	900	800	520	500	440	400	280	
Cross-section of the earthing conductor in relation to the ICW			30x5	40x5	40x5	40x10	40x10	40x10	50x10	

CABINETS FOR HORIZONTAL BUSBAR SYSTEMS

WIDTH	600
	800
	1000
HEIGHT	2000
	2200
DEPTH	600
	800
	1000

 System with vertical busbar system available upon request (except for D=600mm cabinet)

Vertical busbar systems available upon request and based on the final application. Contact the Sales Office or Technical Department for feasibility and project development.



EARTHING CONDUCTOR BRACKETS EUST-001



Includes nr. 2 pieces with mounting accessories.

CENTRAL EARTHING CONDUCTOR BRACKET EUST-002

For cabinets with L>600 mm.



Includes nr. 1 piece with mounting accessories.

CROSSPIECES FOR HORIZONTAL BUSBAR SUPPORTS



Includes nr. 2 pieces with mounting accessories.

BUSBAR DUCT SEGREGATION



Includes nr. 1 piece with mounting accessories.

CROSSPIECES FOR HORIZONTAL BUSBAR SUPPORTS

PRODUCT CODE	CABINET WIDTH
EUTO-000600	600
EUTO-000800	800
EUTO-001000	1000

BUSBAR DUCT SEGREGATION

PRODUCT CODE	PHASES VALUE	WIDTH	DEPTH
EUSS-060060	117	600	600
EUSS-060080	117	600	800
EUSS-060100	117	600	1000
EUSS-080060	117	800	600
EUSS-080080	117	800	800
EUSS-080100	117	800	1000
EUSS-100060	117-143	1000	600
EUSS-100080	117-143	1000	800
EUSS-100100	117-143	1000	1000

HORIZONTAL BUSBAR SYSTEM L = 2000

PRODUCT CODE	DESCRIPTION	IN	BUSBAR SECTION	NEUTRAL BUSBAR SECTION
086 20 03 001	Tripolare	630	40x10	-
086 20 03 002	Tripolare	800	50x10	-
086 20 03 003	Tripolare	1250	80x10	-
086 20 03 004	Tripolare	1600	100x10	-
086 20 03 005	Tripolare	2000	2 (80x10)	-
086 20 03 006	Tripolare	2500	2 (100x10)	-
086 20 03 007	Tripolare	3200	3 (100x10)	-
086 20 04 001	Tetrapolare	630	40x10	40x5
086 20 04 002	Tetrapolare	800	50x10	50x5
086 20 04 003	Tetrapolare	1250	80x10	80x5
086 20 04 004	Tetrapolare	1600	100x10	100x5
086 20 04 005	Tetrapolare	2000	2 (80x10)	80x10
086 20 04 006	Tetrapolare	2500	2 (100x10)	100x10
086 20 04 007	Tetrapolare	3200	3 (100x10)	2 (100x10)

TRI-POLAR: minimum depth 500 mm (with pitch 117); FOUR-POLE: minimum depth 600 mm (with pitch 117).

BUSBAR SUPPORT *

PRODUCT CODE	IN	BUSBAR SECTION	PHASES VALUE	PRODUCT CODE	IN	BUSBAR SECTION	PHASES VALUE
086 15 01 001	630	40x10	117	086 15 02 001	630	40x10	143
086 15 01 002	800	50x10	117	086 15 02 002	800	50x10	143
086 15 01 003	1250	80x10	117	086 15 02 003	1250	80x10	143
086 15 01 004	1600	100x10	117	086 15 02 004	1600	100x10	143
086 15 01 005	2000	2 (80x10)	117	086 15 02 005	2000	2 (80x10)	143
086 15 01 006	2500	2 (100x10)	117	086 15 02 006	2500	2 (100x10)	143
				086 15 02 007	3200	3 (100x10)	143
				086 15 02 008	4000	3 (120x10)	143

* Not installable on panels with D < 1200mm

EXAMPLE

Cabinet dimensions 800 x 2000 x 600 (W x H x D) with blank front door and screwed rear panel, complete with mounting plate, side panels and plinth.

Suite

CODE		STRUCTURE
ENUX	0 8 2 0 0 6 P R	1 Indicative code
1	2 3 4 5	2 It shows the width of the cabinet
		3 It shows the height of the cabinet
		4 It shows the depth of the cabinet
		5 Suffix that shows the cabinet composition

PR stands for the cabinet structure with front door and screwed rear panel.
If a front glazed door is required, it is necessary to change the suffix PR with PV (ENUX082006PV). If blank doors are required in the front and in the rear, the suffix changes to DP (ENUX082006DP).

Single packaging.

CODE		FRONT INSERTED MOUNTING PLATE
EUPA -	0 8 0 2 0 0	1 Indicative code
1	2 3	2 It shows the cabinet width
		3 It shows the cabinet height

It shows a front inserted mounting plate.
If a side inserted mounting plate is required, the code is EUPL-080200.
Single packaging.

WTKB - 002

Mounting accessories for EUPA mounting plate (to be ordered separately).

CODE		SIDE PANELS (2 PIECES)
EUFI	0 6 0 2 0 0	1 Indicative code
1	2 3	2 It shows the depth of the cabinet
		3 It shows the height of the cabinet

It shows two side panels complete with mounting accessories.

Single packaging.

CODE		UNIVERSAL PLINTH EUZE
EUZE -	A 1 0 0	1 Indicative code
1	2	2 It shows the height of the plinth
EUZE -	T 0 8 0 0	1 Indicative code
1	2	2 It shows the cabinet/plinth width
EUZE -	T 0 6 0 0	1 Indicative code
1	2	2 It shows the cabinet/plinth depth

It shows the complete plinth H=100 mm, consisting in 3 different packages.

It shows the corner pieces of the plinth H=100, complete with front covers and mounting accessories (supply includes 4 pieces).

It shows the front crosspieces W=800 (supply includes 2 pieces).

It shows the side crosspieces D=600 (supply includes 2 pieces).

If a 200 mm high plinth is required, the code of the corner plinth is EUZE-A200, for the front and side crosspieces H=200, please add D to the code (EUZE-T0800D and EUZE-T0600D).

IN SUMMARY

CODES FOR AN ASSEMBLED E NUX		
1	ENUX082006PR	1 pc.
2	EUPA-080200	1 pc.
3	WTKB-002	1 pc.
4	EUFI060200	1 pc.
5	EUZE-A100	1 pc.
6	EUZE-T0800	1 pc.
7	EUZE-T0600	1 pc.

COMPLETE CABINET

EXAMPLE

Cabinet dimensions 800 x 2000 x 600 (W x H x D) with front blank door and screwed rear panel, complete with mounting plate, side panels and plinth.

<p>CODE</p> <p>EUTF 1 0 8 0 0 6 0 </p> <p>2 3 </p>		<p>ROOF/BOTTOM</p> <p>1 Indicative code 2 It shows the width of the cabinet 3 It shows the depth of the cabinet</p>	<p>It shows roof and bottom pre-assembled. Single packaging complete with mounting screws.</p>
<p>CODE</p> <p>EUPO 1 0 8 0 0 2 0 0 </p> <p>2 3 </p>		<p>FRONT BLANK DOOR</p> <p>1 Indicative code 2 It shows the width of the cabinet 3 It shows the height of the cabinet</p>	<p>It shows the blank door supplied with two uprights complete with pre-assembled hinges and closing latches. If a glazed door is required, the code is EUPV080200.</p> <p>Single packaging.</p>
<p>CODE</p> <p>EURE 1 0 8 0 0 2 0 0 </p> <p>2 3 </p>		<p>REAR PANEL (SCREWED)</p> <p>1 Indicative code 2 It shows the width of the cabinet 3 It shows the height of the cabinet</p>	<p>It shows the screwed rear panel supplied with two uprights complete with pre-assembled blocks for fixing screws.</p> <p>Single packaging.</p>
<p>CODE</p> <p>EUPA - 1 0 8 0 0 2 0 0 </p> <p>2 3 </p>		<p>FRONT INSERTED MOUNTING PLATE</p> <p>1 Indicative code 2 It shows the width of the cabinet 3 It shows the height of the cabinet</p>	<p>It shows a front inserted mounting plate. If a side inserted mounting plate is required, the code is EUPL-080200.</p> <p>Single packaging.</p>
<p>WTKB - 002</p>			<p>Mounting accessories of EUPA mounting plate (to be ordered separately).</p>
<p>CODE</p> <p>EUFI 1 0 6 0 0 2 0 0 </p> <p>2 3 </p>		<p>SIDE PANELS (2 PIECES)</p> <p>1 Indicative code 2 It shows the depth of the cabinet 3 It shows the height of the cabinet</p>	<p>It shows the couple of the side panels complete with mounting accessories.</p> <p>Single packaging.</p>
<p>CODE</p> <p>EUZE - 1 A 1 0 0 </p> <p>2 </p>		<p>UNIVERSAL PLINTH EUZE</p> <p>1 Indicative code 2 It shows the height of the plinth</p>	<p>It shows the complete plinth H=100mm, consisting in 3 different packages.</p> <p>It shows the corner pieces of the plinth H=100, complete with front covers and mounting accessories (supply includes 4 pieces)</p>
<p>EUZE - 1 T 0 8 0 0 </p> <p>2 </p>		<p>1 Indicative code 2 It shows the cabinet/plinth width</p>	<p>It shows the front crosspieces W=800 (supply includes 2 pieces).</p>
<p>EUZE - 1 T 0 6 0 0 </p> <p>2 </p>		<p>1 Indicative code 2 It shows the cabinet/plinth depth</p>	<p>It shows the side crosspieces D=600 (supply includes 2 pieces).</p> <p>If a 200 mm high plinth is required, the code of the corner plinth is EUZE-A200, for the front and side crosspieces H=200, please add D to the code (EUZE-T0800D and EUZE-T0600D).</p>

IN SUMMARY

CODES FOR A FLAT-PACK E NUX

1	EUTF080060	1 pc.	COMPLETE CABINET
2	EUPO080200	1 pc.	
3	EURE080200	1 pc.	
4	EUPA-080200	1 pc.	
5	WTKB-002	1 pc.	
6	EUFI060200	1 pc.	
7	EUZE-A100	1 pc.	
8	EUZE-T0800	1 pc.	
9	EUZE-T0600	1 pc.	



For any requirement following your purchase order, the spare parts listed in the table can be ordered.

SPARE PARTS - E NUX SHEET STEEL

Suite

DIMENSIONS			SINGLE BLANK DOOR WITHOUT UPRIGHTS	SPLIT/DOUBLE BLANK DOOR WITHOUT UPRIGHTS		ROOF PANEL (WITHOUT FRAME)	SINGLE SIDE PANEL	PACKET OF CABLE BOTTOM INLET CABLE FASTENERS	PACKET OF ROD MECHANISM LOCKING SYSTEMS	
L	H	P		STOPPED WITH HANDLE	WITH STOPPING DEVICE				SINGLE DOOR/ DOUBLE DOOR STOPPED	DOUBLE DOOR WITH STOPPING DEVICE
400	1600	400	EUPO040160SM	–	–	EUTEP040040	EUFI040160S	EUTGK040040	EUCG-01600	–
400	1600	500	EUPO040160SM	–	–	EUTEP040050	EUFI050160S	EUTGK040050	EUCG-01600	–
400	1600	600	EUPO040160SM	–	–	EUTEP040060	EUFI060160S	EUTGK040060	EUCG-01600	–
400	1800	400	EUPO040180SM	–	–	EUTEP040040	EUFI040180S	EUTGK040040	EUCG-01800	–
400	1800	500	EUPO040180SM	–	–	EUTEP040050	EUFI050180S	EUTGK040050	EUCG-01800	–
400	1800	600	EUPO040180SM	–	–	EUTEP040060	EUFI060180S	EUTGK040060	EUCG-01800	–
400	1800	800	EUPO040180SM	–	–	EUTEP040080	EUFI080180S	EUTGK040080	EUCG-01800	–
400	2000	400	EUPO040200SM	–	–	EUTEP040040	EUFI040200S	EUTGK040040	EUCG-02000	–
400	2000	500	EUPO040200SM	–	–	EUTEP040050	EUFI050200S	EUTGK040050	EUCG-02000	–
400	2000	600	EUPO040200SM	–	–	EUTEP040060	EUFI060200S	EUTGK040060	EUCG-02000	–
400	2000	800	EUPO040200SM	–	–	EUTEP040080	EUFI080200S	EUTGK040080	EUCG-02000	–
400	2200	400	EUPO040220SM	–	–	EUTEP040040	EUFI040220S	EUTGK040040	EUCG-02200	–
400	2200	500	EUPO040220SM	–	–	EUTEP040050	EUFI050220S	EUTGK040050	EUCG-02200	–
400	2200	600	EUPO040220SM	–	–	EUTEP040060	EUFI060220S	EUTGK040060	EUCG-02200	–
400	2200	800	EUPO040220SM	–	–	EUTEP040080	EUFI080220S	EUTGK040080	EUCG-02200	–
600	1400	400	EUPO060140SM	–	–	EUTEP060040	EUFI040140S	EUTGK060040	EUCG-01400	–
600	1400	500	EUPO060140SM	–	–	EUTEP060050	EUFI050140S	EUTGK060050	EUCG-01400	–
600	1600	400	EUPO060160SM	–	–	EUTEP060040	EUFI040160S	EUTGK060040	EUCG-01600	–
600	1600	500	EUPO060160SM	–	–	EUTEP060050	EUFI050160S	EUTGK060050	EUCG-01600	–
600	1600	600	EUPO060160SM	–	–	EUTEP060060	EUFI060160S	EUTGK060060	EUCG-01600	–
600	1800	400	EUPO060180SM	–	–	EUTEP060040	EUFI040180S	EUTGK060040	EUCG-01800	–
600	1800	500	EUPO060180SM	–	–	EUTEP060050	EUFI050180S	EUTGK060050	EUCG-01800	–
600	1800	600	EUPO060180SM	–	–	EUTEP060060	EUFI060180S	EUTGK060060	EUCG-01800	–
600	1800	800	EUPO060180SM	–	–	EUTEP060080	EUFI080180S	EUTGK060080	EUCG-01800	–
600	2000	400	EUPO060200SM	–	–	EUTEP060040	EUFI040200S	EUTGK060040	EUCG-02000	–
600	2000	500	EUPO060200SM	–	–	EUTEP060050	EUFI050200S	EUTGK060050	EUCG-02000	–
600	2000	600	EUPO060200SM	–	–	EUTEP060060	EUFI060200S	EUTGK060060	EUCG-02000	–
600	2000	800	EUPO060200SM	–	–	EUTEP060080	EUFI080200S	EUTGK060080	EUCG-02000	–
600	2000	1000	EUPO060200SM	–	–	EUTEP060100	EUFI100200S	EUTGK060100	EUCG-02000	–
600	2200	500	EUPO060220SM	–	–	EUTEP060050	EUFI050220S	EUTGK060050	EUCG-02200	–
600	2200	600	EUPO060220SM	–	–	EUTEP060060	EUFI060220S	EUTGK060060	EUCG-02200	–
600	2200	800	EUPO060220SM	–	–	EUTEP060080	EUFI080220S	EUTGK060080	EUCG-02200	–
800	1400	400	EUPO080140SM	–	–	EUTEP080040	EUFI040140S	EUTGK080040	EUCG-01400	–
800	1400	500	EUPO080140SM	–	–	EUTEP080050	EUFI050140S	EUTGK080050	EUCG-01400	–
800	1600	400	EUPO080160SM	–	–	EUTEP080040	EUFI040160S	EUTGK080040	EUCG-01600	–
800	1600	500	EUPO080160SM	–	–	EUTEP080050	EUFI050160S	EUTGK080050	EUCG-01600	–
800	1600	600	EUPO080160SM	–	–	EUTEP080060	EUFI060160S	EUTGK080060	EUCG-01600	–
800	1800	400	EUPO080180SM	–	–	EUTEP080040	EUFI040180S	EUTGK080040	EUCG-01800	–
800	1800	500	EUPO080180SM	–	–	EUTEP080050	EUFI050180S	EUTGK080050	EUCG-01800	–
800	1800	600	EUPO080180SM	–	–	EUTEP080060	EUFI060180S	EUTGK080060	EUCG-01800	–
800	1800	800	EUPO080180SM	–	–	EUTEP080080	EUFI080180S	EUTGK080080	EUCG-01800	–
800	2000	400	EUPO080200SM	–	–	EUTEP080040	EUFI040200S	EUTGK080040	EUCG-02000	–
800	2000	500	EUPO080200SM	–	–	EUTEP080050	EUFI050200S	EUTGK080050	EUCG-02000	–
800	2000	600	EUPO080200SM	–	–	EUTEP080060	EUFI060200S	EUTGK080060	EUCG-02000	–
800	2000	800	EUPO080200SM	–	–	EUTEP080080	EUFI080200S	EUTGK080080	EUCG-02000	–
800	2000	1000	EUPO080200SM	–	–	EUTEP080100	EUFI100200S	EUTGK080100	EUCG-02000	–
800	2200	500	EUPO080220SM	–	–	EUTEP080050	EUFI050220S	EUTGK080050	EUCG-02200	–
800	2200	600	EUPO080220SM	–	–	EUTEP080060	EUFI060220S	EUTGK080060	EUCG-02200	–
800	2200	800	EUPO080220SM	–	–	EUTEP080080	EUFI080220S	EUTGK080080	EUCG-02200	–

SPARE PARTS - E NUX SHEET STEEL

DIMENSIONS			SINGLE BLANK DOOR WITHOUT UPRIGHTS	SPLIT/DOUBLE BLANK DOOR WITHOUT UPRIGHTS		ROOF PANEL (WITHOUT FRAME)	SINGLE SIDE PANEL	PACKET OF CABLE BOTTOM INLET CABLE FASTENERS	PACKET OF ROD MECHANISM LOCKING SYSTEMS	
L	H	P		STOPPED WITH HANDLE	WITH STOPPING DEVICE				SINGLE DOOR/DOUBLE DOOR STOPPED	DOUBLE DOOR WITH STOPPING DEVICE
1000	1600	400	EUP0100160SM	EUP0100160DPSMI	EUP0100160DPSMC	EUTEP100040	EUF1040160S	EUTGK100040	EUCG-01600	EUCG-01600C
1000	1600	500	EUP0100160SM	EUP0100160DPSMI	EUP0100160DPSMC	EUTEP100050	EUF1050160S	EUTGK100050	EUCG-01600	EUCG-01600C
1000	1600	600	EUP0100160SM	EUP0100160DPSMI	EUP0100160DPSMC	EUTEP100060	EUF1060160S	EUTGK100060	EUCG-01600	EUCG-01600C
1000	1800	400	EUP0100180SM	EUP0100180DPSMI	EUP0100180DPSMC	EUTEP100040	EUF1040180S	EUTGK100040	EUCG-01800	EUCG-01800C
1000	1800	500	EUP0100180SM	EUP0100180DPSMI	EUP0100180DPSMC	EUTEP100050	EUF1050180S	EUTGK100050	EUCG-01800	EUCG-01800C
1000	1800	600	EUP0100180SM	EUP0100180DPSMI	EUP0100180DPSMC	EUTEP100060	EUF1060180S	EUTGK100060	EUCG-01800	EUCG-01800C
1000	1800	800	EUP0100180SM	EUP0100180DPSMI	EUP0100180DPSMC	EUTEP100080	EUF1080180S	EUTGK100080	EUCG-01800	EUCG-01800C
1000	2000	400	EUP0100200SM	EUP0100200DPSMI	EUP0100200DPSMC	EUTEP100040	EUF1040200S	EUTGK100040	EUCG-02000	EUCG-02000C
1000	2000	500	EUP0100200SM	EUP0100200DPSMI	EUP0100200DPSMC	EUTEP100050	EUF1050200S	EUTGK100050	EUCG-02000	EUCG-02000C
1000	2000	600	EUP0100200SM	EUP0100200DPSMI	EUP0100200DPSMC	EUTEP100060	EUF1060200S	EUTGK100060	EUCG-02000	EUCG-02000C
1000	2000	800	EUP0100200SM	EUP0100200DPSMI	EUP0100200DPSMC	EUTEP100080	EUF1080200S	EUTGK100080	EUCG-02000	EUCG-02000C
1000	2200	500	EUP0100220SM	EUP0100220DPSMI	EUP0100220DPSMC	EUTEP100050	EUF1050220S	EUTGK100050	EUCG-02200	EUCG-02200C
1000	2200	600	EUP0100220SM	EUP0100220DPSMI	EUP0100220DPSMC	EUTEP100060	EUF1060220S	EUTGK100060	EUCG-02200	EUCG-02200C
1000	2200	800	EUP0100220SM	EUP0100220DPSMI	EUP0100220DPSMC	EUTEP100080	EUF1080220S	EUTGK100080	EUCG-02200	EUCG-02200C
1200	1400	400	-	EUP0120140SMI	EUP0120140SMC	EUTEP120040	EUF1040140S	EUTGK120040	-	EUCG-01400C
1200	1400	500	-	EUP0120140SMI	EUP0120140SMC	EUTEP120050	EUF1050140S	EUTGK120050	-	EUCG-01400C
1200	1600	400	-	EUP0120160SMI	EUP0120160SMC	EUTEP120040	EUF1040160S	EUTGK120040	-	EUCG-01600C
1200	1600	500	-	EUP0120160SMI	EUP0120160SMC	EUTEP120050	EUF1050160S	EUTGK120050	-	EUCG-01600C
1200	1600	600	-	EUP0120160SMI	EUP0120160SMC	EUTEP120060	EUF1060160S	EUTGK120060	-	EUCG-01600C
1200	1800	400	-	EUP0120180SMI	EUP0120180SMC	EUTEP120040	EUF1040180S	EUTGK120040	-	EUCG-01800C
1200	1800	500	-	EUP0120180SMI	EUP0120180SMC	EUTEP120050	EUF1050180S	EUTGK120050	-	EUCG-01800C
1200	1800	600	-	EUP0120180SMI	EUP0120180SMC	EUTEP120060	EUF1060180S	EUTGK120060	-	EUCG-01800C
1200	1800	800	-	EUP0120180SMI	EUP0120180SMC	EUTEP120080	EUF1080180S	EUTGK120080	-	EUCG-01800C
1200	2000	400	-	EUP0120200SMI	EUP0120200SMC	EUTEP120040	EUF1040200S	EUTGK120040	-	EUCG-02000C
1200	2000	500	-	EUP0120200SMI	EUP0120200SMC	EUTEP120050	EUF1050200S	EUTGK120050	-	EUCG-02000C
1200	2000	600	-	EUP0120200SMI	EUP0120200SMC	EUTEP120060	EUF1060200S	EUTGK120060	-	EUCG-02000C
1200	2000	800	-	EUP0120200SMI	EUP0120200SMC	EUTEP120080	EUF1080200S	EUTGK120080	-	EUCG-02000C
1200	2000	1000	-	EUP0120200SMI	EUP0120200SMC	EUTEP120100	EUF1100200S	EUTGK120100	-	EUCG-02000C
1200	2200	500	-	EUP0120220SMI	EUP0120220SMC	EUTEP120050	EUF1050220S	EUTGK120050	-	EUCG-02200C
1200	2200	600	-	EUP0120220SMI	EUP0120220SMC	EUTEP120060	EUF1060220S	EUTGK120060	-	EUCG-02200C
1200	2200	800	-	EUP0120220SMI	EUP0120220SMC	EUTEP120080	EUF1080220S	EUTGK120080	-	EUCG-02200C
1400	2000	400	-	EUP0140200SMI	EUP0140200SMC	EUTEP140040	EUF1040200S	EUTGK140040	-	EUCG-02000C
1400	2000	500	-	EUP0140200SMI	EUP0140200SMC	EUTEP140050	EUF1050200S	EUTGK140050	-	EUCG-02000C
1400	2000	600	-	EUP0140200SMI	EUP0140200SMC	EUTEP140060	EUF1060200S	EUTGK140060	-	EUCG-02000C
1400	2000	800	-	EUP0140200SMI	EUP0140200SMC	EUTEP140080	EUF1080200S	EUTGK140080	-	EUCG-02000C
1600	1400	400	-	EUP0160140SMI	EUP0160140SMC	EUTEP160040	EUF1040140S	EUTGK160040	-	EUCG-01400C
1600	1400	500	-	EUP0160140SMI	EUP0160140SMC	EUTEP160050	EUF1050140S	EUTGK160050	-	EUCG-01400C
1600	2000	400	-	EUP0160200SMI	EUP0160200SMC	EUTEP160040	EUF1040200S	EUTGK160040	-	EUCG-02000C
1600	2000	500	-	EUP0160200SMI	EUP0160200SMC	EUTEP160050	EUF1050200S	EUTGK160050	-	EUCG-02000C
1600	2000	600	-	EUP0160200SMI	EUP0160200SMC	EUTEP160060	EUF1060200S	EUTGK160060	-	EUCG-02000C
1600	2000	800	-	EUP0160200SMI	EUP0160200SMC	EUTEP160080	EUF1080200S	EUTGK160080	-	EUCG-02000C

Suite

Monobloc



ETA QUALITY, PROMPTLY

ETA introduces E MOX, the range of monobloc enclosure solutions proposed as the effective combination of strength and modularity.

E MOX – offered with a particular front and rear aesthetic profile to comply with E NUX style – is built up with a unique symmetric monobloc structure with top, bottom and side panels welded, and front door provided with an innovative lever-operated latch system.

E MOX is completely compatible with E NUX standard range of accessories: it can be completely customized thanks to the assembly of specific vertical uprights, which allow creating the same inner spaces of E NUX modular cabinet system.

The product philosophy that led the design of E MOX is based on the concepts of time and space, in order to provide the end user with the maximum advantage in terms of optimization and saving.

Time: because E MOX is a unique cabinet completely welded, with mounting plate included in the supply and available in 27 standard dimensions. Time: because E MOX is totally compatible with E NUX cabinets in terms of standard components (doors, rear panels, base plates, mounting plate) and inner accessories (profiles, brackets, partial mounting plates, etc).

Time: because E MOX is a monobloc shell with modular options.

BENEFITS

Aesthetic profile and new colour	Design
Symmetric monobloc structure	Strength
Possibility of creating inner E NUX structure	Modularity
Standard E NUX accessories	Compatibility
Innovative latch system	Functionality
Perfect adherence to industry standards	Safety



e mox

MONOBLOC CABINETS

FEATURES

- 1 Unique symmetric monobloc structure with top, bottom and side panels welded.
- 2 Front and rear aesthetic profiles to comply with E NUX style.
- 3 Removable rear panel and possibility to assemble rear door (E NUX door and rear panel).
- 4 Lifting with 2 eyebolts.
- 5 Front inserted mounting plate (EUPA) included in the supply.
- 6 Innovative opening system with a unique lever mechanism, unique design and:
3-point locking for H=1600
4-point locking for H=1800/2000
with possibility to mount different inserts.

- 7 Effective sliding guides system integrated in the bottom.
 - 8 Modular cable entry bottom with adjustable base plates and gasket.
 - 9 Reversible door with stiffening frame.
 - 10 Vertical uprights available as accessories to create the same inner structure of E NUX cabinet.
 - 11 Wide range of standard accessories of E NUX system (door, rear panel, mounting plate, complementary accessories).
 - 12 Differentiated colour impact: RAL7035 for the cabinet and colour RAL5020 matched with aesthetic profiles, handle and plinth.
 - 13 Easy-to-assemble modular plinth EUZE.
- Protection rating: IP66 (single door), IP55 (double door)
- Nema 12 - IK10.





MONOBLOC CABINETS

Monobloc

IMAGES ARE ONLY INTENDED TO ILLUSTRATE THE PRODUCT

DIMENSIONS W x H x D	E MOX			ACCESSORIES		
	CABINET WITH BLANK DOOR (1)	CABINET WITH DOUBLE BLANK DOOR (2)	CABINET WITH PLEXI DOOR (3)	PLINTH H=100 UNIVERSAL CORNER PIECES (4)	PLINTH H=100 FRONT CROSSPIECES (5)	PLINTH H=100 SIDE CROSSPIECES (6)
600 x 1600 x 400	EMOX061604PR		EMOX061604PV	EUZE-A100	EUZE-T0600	EUZE-T0400M
600 x 1800 x 400	EMOX061804PR		EMOX061804PV	EUZE-A100	EUZE-T0600	EUZE-T0400M
600 x 1800 x 500	EMOX061805PR		EMOX061805PV	EUZE-A100	EUZE-T0600	EUZE-T0500M
600 x 2000 x 400	EMOX062004PR		EMOX062004PV	EUZE-A100	EUZE-T0600	EUZE-T0400M
600 x 2000 x 500	EMOX062005PR		EMOX062005PV	EUZE-A100	EUZE-T0600	EUZE-T0500M
800 x 1600 x 400	EMOX081604PR		EMOX081604PV	EUZE-A100	EUZE-T0800	EUZE-T0400M
800 x 1800 x 400	EMOX081804PR		EMOX081804PV	EUZE-A100	EUZE-T0800	EUZE-T0400M
800 x 1800 x 500	EMOX081805PR		EMOX081805PV	EUZE-A100	EUZE-T0800	EUZE-T0500M
800 x 2000 x 400	EMOX082004PR		EMOX082004PV	EUZE-A100	EUZE-T0800	EUZE-T0400M
800 x 2000 x 500	EMOX082005PR		EMOX082005PV	EUZE-A100	EUZE-T0800	EUZE-T0500M
1000 x 1600 x 400	EMOX101604PR		EMOX101604PV	EUZE-A100	EUZE-T1000	EUZE-T0400M
1000 x 1800 x 400	EMOX101804PR		EMOX101804PV	EUZE-A100	EUZE-T1000	EUZE-T0400M
1000 x 1800 x 500	EMOX101805PR		EMOX101805PV	EUZE-A100	EUZE-T1000	EUZE-T0500M
1000 x 2000 x 400	EMOX102004PR		EMOX102004PV	EUZE-A100	EUZE-T1000	EUZE-T0400M
1000 x 2000 x 500	EMOX102005PR		EMOX102005PV	EUZE-A100	EUZE-T1000	EUZE-T0500M
1200 x 800 x 400		EMOX120804PR *		EUZE-A100	EUZE-T1200	EUZE-T0400M
1200 x 1000 x 400		EMOX121004PR *		EUZE-A100	EUZE-T1200	EUZE-T0400M
1200 x 1600 x 400		EMOX121604PR		EUZE-A100	EUZE-T1200	EUZE-T0400M
1200 x 1800 x 400		EMOX121804PR		EUZE-A100	EUZE-T1200	EUZE-T0400M
1200 x 1800 x 500		EMOX121805PR		EUZE-A100	EUZE-T1200	EUZE-T0500M
1200 x 2000 x 400		EMOX122004PR		EUZE-A100	EUZE-T1200	EUZE-T0400M
1200 x 2000 x 500		EMOX122005PR		EUZE-A100	EUZE-T1200	EUZE-T0500M
1400 x 1000 x 400		EMOX141004PR *		EUZE-A100	EUZE-T1400	EUZE-T0400M
1600 x 1000 x 400		EMOX161004PR *		EUZE-A100	EUZE-T1600	EUZE-T0400M
1600 x 1800 x 400		EMOX161804PR		EUZE-A100	EUZE-T1600	EUZE-T0400M
1600 x 2000 x 400		EMOX162004PR		EUZE-A100	EUZE-T1600	EUZE-T0400M
1800 x 1000 x 400		EMOX181004PR *		EUZE-A100	EUZE-T1800	EUZE-T0400M

- (1) supply includes cabinet with welded side panels, removable rear panel, blank door and EUPA front inserted mounting plate. To be ordered separately plinth and WTGS-003 eyebolts
- (2) cabinet structure with welded side panels, removable rear panel, double blank door and front-inserted mounting plate EUPA. Order plinth and eye-bolts WTGS-003 separately
- (3) supply includes cabinet with welded side panels, removable rear panel, plexi door and EUPA front inserted mounting plate. To be ordered separately plinth and WTGS-003 eyebolts
- (4) supply includes 4 pieces
- (5) supply included 2 pieces
- (6) supply includes 2 pieces
- (*) Horizontal version



CHARACTERISTICS

Enclosure in sheet steel with removable rear panel. Sheet steel door with strengthening frame and standard 110° door opening. For H=1200 / 1400 / 1600 / 2200, in the case of door reversal, remember to order the left central closure.

PAINT FINISH

ETA standard finishing cycle: paint-based primer with deposition by cataphoresis with epoxy resin and finishing using thermosetting powders:

- structure and door: RAL 7035 textured finish
- aesthetic profiles: RAL 5020 textured finish.



Monobloc


SUPPLY

- structure complete with aesthetic profiles and rear panel
- sheet steel door, with stiffening frame and complete with Ø 3 mm lever-operated double bar locking system
- adjustable cable entry
- mounting plate manufactured from sendzimir sheet steel (for E MOX W=1000, EUPA).

PROTECTION RATING

- IP66 complying with IEC EN62208; EN60529
- NEMA 12 complying with UL508A; UL50*
- protection degree guaranteed by the two-component polyurethane foam seal
- impact resistance IK10 complying with IEC EN62208, EN62262.

In case it is necessary to replace the mounting plate EUPA, you have to use the codes on page 49.

 * NEMA 4 available on request.



RAL 7035



RAL 5020



Modular plinth EUZE, see page 104

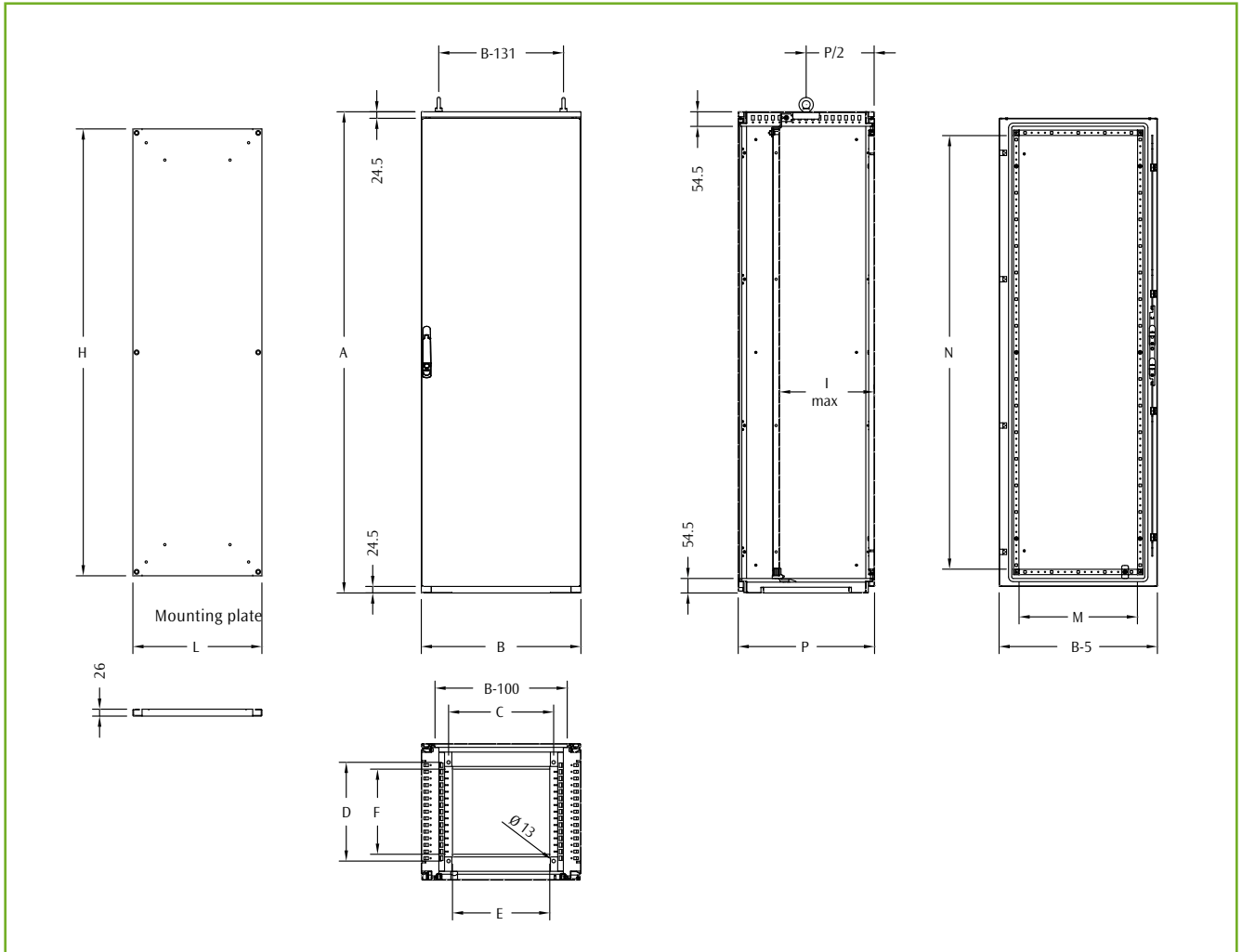


Eyebolts, see page 106



Internal uprights, see page 106

Monobloc



DIMENSIONAL SPECIFICATIONS


DIMENSIONS			CABINET DIMENSIONS			FLOOR FIXING		CABLE ENTRY		DOOR SPACE		MOUNTING PLATE DIM.		
WIDTH	HEIGHT	DEPTH	B	A	P	C	D	E	F	M	N	L	H	I
600	1600	400	600	1609	414	395	271	365	220	445	1430	485	1480	350
600	1800	400	600	1809	414	395	271	365	220	445	1630	485	1680	350
600	1800	500	600	1809	514	395	371	365	320	445	1630	485	1680	450
600	2000	400	600	2009	414	395	271	365	220	445	1830	485	1880	350
600	2000	500	600	2009	514	395	371	365	320	445	1830	485	1880	450
800	1600	400	800	1609	414	595	271	565	220	645	1430	685	1480	350
800	1800	400	800	1809	414	595	271	565	220	645	1630	685	1680	350
800	1800	500	800	1809	514	595	371	565	320	645	1630	685	1680	450
800	2000	400	800	2009	414	595	271	565	220	645	1830	685	1880	350
800	2000	500	800	2009	514	595	371	565	320	645	1830	685	1880	450
1000	1600	400	1000	1609	414	795	271	765	220	845	1430	885	1480	350
1000	1800	400	1000	1809	414	795	271	765	220	845	1630	885	1680	350
1000	1800	500	1000	1809	514	795	371	765	320	845	1630	885	1680	450
1000	2000	400	1000	2009	414	795	271	765	220	845	1830	885	1880	350
1000	2000	500	1000	2009	514	795	371	765	320	845	1830	885	1880	450

600			CABINET CODES	
DIMENSIONS			CABINET WITH BLANK DOOR	CABINET WITH PLEXI DOOR
WIDTH	HEIGHT	DEPTH		
600	1600	400	EMOX061604PR	EMOX061604PV
600	1800	400	EMOX061804PR	EMOX061804PV
600	1800	500	EMOX061805PR	EMOX061805PV
600	2000	400	EMOX062004PR	EMOX062004PV
600	2000	500	EMOX062005PR	EMOX062005PV

Monobloc

800			CABINET CODES	
DIMENSIONS			CABINET WITH BLANK DOOR	CABINET WITH PLEXI DOOR
WIDTH	HEIGHT	DEPTH		
800	1600	400	EMOX081604PR	EMOX081604PV
800	1800	400	EMOX081804PR	EMOX081804PV
800	1800	500	EMOX081805PR	EMOX081805PV
800	2000	400	EMOX082004PR	EMOX082004PV
800	2000	500	EMOX082005PR	EMOX082005PV

1000			CABINET CODES	
DIMENSIONS			CABINET WITH BLANK DOOR	CABINET WITH PLEXI DOOR
WIDTH	HEIGHT	DEPTH		
1000	1600	400	EMOX101604PR	EMOX101604PV
1000	1800	400	EMOX101804PR	EMOX101804PV
1000	1800	500	EMOX101805PR	EMOX101805PV
1000	2000	400	EMOX102004PR	EMOX102004PV
1000	2000	500	EMOX102005PR	EMOX102005PV

 To order the inner door, see the EUPI code on page 57.



Monobloc



CHARACTERISTICS

Enclosure manufactured from sheet steel with removable rear panel. Double door manufactured from sheet steel with stiffening frame.

PAINT FINISH

ETA standard finishing cycle: paint-based primer with deposition by cataphoresis with epoxy resin and finishing using thermosetting powders:

- structure and door: RAL 7035 textured finish
- aesthetic profiles: RAL 5020 textured finish.



SUPPLY

- structure complete with aesthetic profiles and rear panel
- sheet steel double door, with stiffening frame and complete with Ø 3 mm lever-operated double bar locking system
- adjustable cable entry
- mounting plate manufactured from sendzimir sheet steel.

PROTECTION RATING

- IP55 complying with IEC EN62208; EN60529
- NEMA 12 complying with UL508A; UL50
- protection degree guaranteed by the two-component polyurethane foam seal
- impact resistance IK10 complying with IEC EN62208, EN62262.

In case it is necessary to replace the mounting plate EUPA, you have to use the codes on page 49.



RAL 7035



RAL 5020



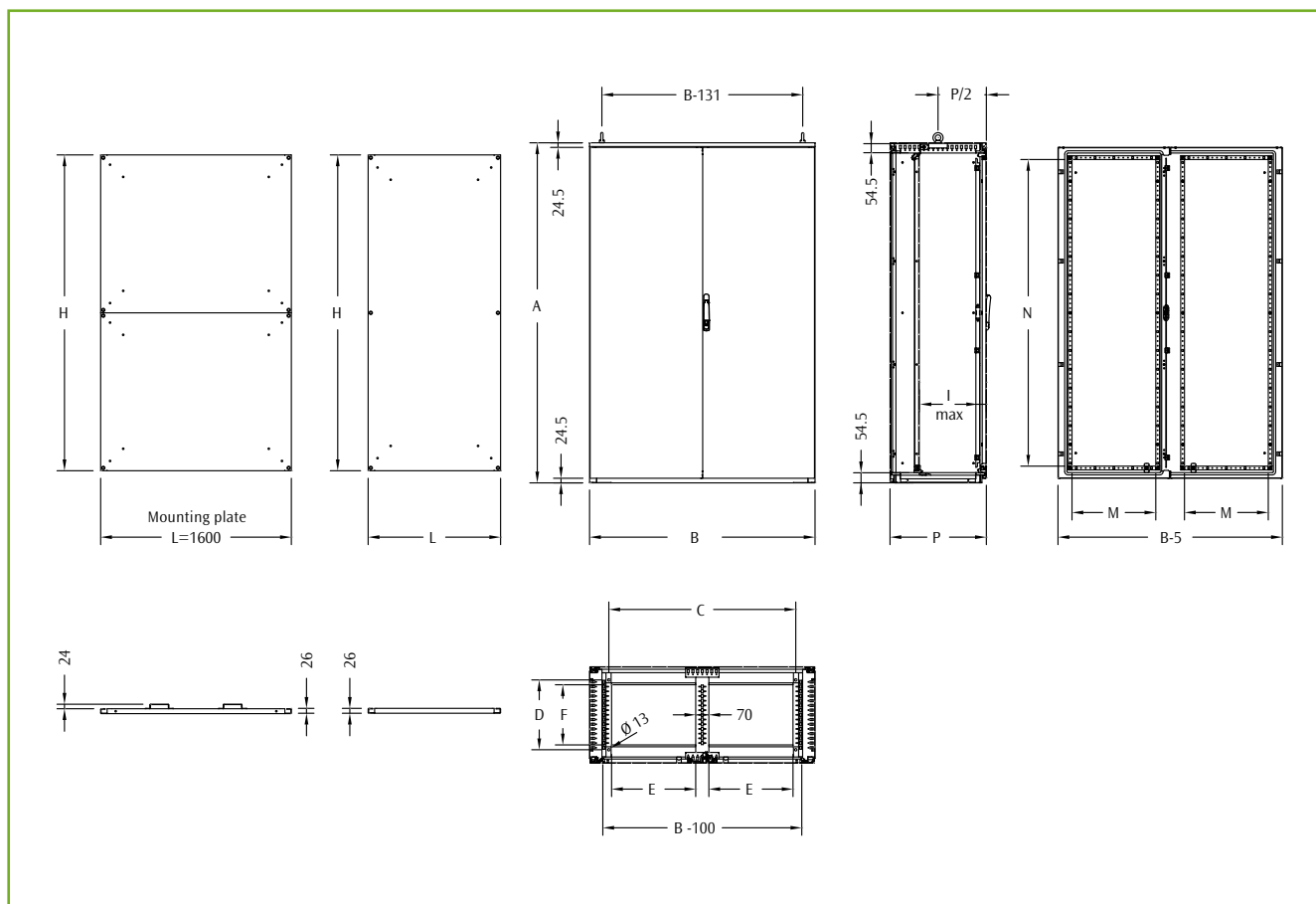
Modular plinth EUZE, see page 104



Eyebolts, see page 106



Internal uprights, see page 106



Monobloc

DIMENSIONAL SPECIFICATIONS

DIMENSIONS			CABINET DIMENSIONS			FLOOR FIXING		CABLE ENTRY		DOOR SPACE		MOUNTING PLATE DIM.		
WIDTH	HEIGHT	DEPTH	B	A	P	C	D	E	F	M	N	L	H	I
1200	1600	400	1200	1609	414	995	271	447	220	445	1430	1085	1480	350
1200	1800	400	1200	1809	414	995	271	447	220	445	1630	1085	1680	350
1200	1800	500	1200	1809	514	995	371	447	320	445	1630	1085	1680	450
1200	2000	400	1200	2009	414	995	271	447	220	445	1830	1085	1880	350
1200	2000	500	1200	2009	514	995	371	447	320	445	1830	1085	1880	450
1600	1800	400	1600	1809	414	1395	271	647	220	645	1630	1485	1680	350
1600	2000	400	1600	2009	414	1395	271	647	220	645	1830	1485	1880	350

1200

CABINET CODES

DIMENSIONS			CABINET WITH BLANK DOOR		
WIDTH	HEIGHT	DEPTH			
1200	1600	400	EMOX121604PR		
1200	1800	400	EMOX121804PR		
1200	1800	500	EMOX121805PR		
1200	2000	400	EMOX122004PR		
1200	2000	500	EMOX122005PR		

1600

CABINET CODES

DIMENSIONS			CABINET WITH BLANK DOOR		
WIDTH	HEIGHT	DEPTH			
1600	1800	400	EMOX161804PR		
1600	2000	400	EMOX162004PR		



Monobloc



CHARACTERISTICS

Enclosure manufactured from sheet steel with removable rear panel. Double door manufactured from sheet steel with stiffening frame.

PAINT FINISH

ETA standard finishing cycle: paint-based primer with deposition by cataphoresis with epoxy resin and finishing using thermosetting powders:

- structure and door: RAL 7035 textured finish
- aesthetic profiles: RAL 5020 textured finish.



SUPPLY

- structure complete with aesthetic profiles and rear panel
- sheet steel double door, with stiffening frame and complete with Ø 3 mm lever-operated double bar locking system
- adjustable cable entry
- mounting plate manufactured from sendzimir sheet steel.

PROTECTION RATING

- IP55 complying with IEC EN62208; EN60529
- NEMA 12 complying with UL508A; UL50
- protection degree guaranteed by the two-component polyurethane foam seal
- impact resistance IK10 complying with IEC EN62208, EN62262.

In case it is necessary to replace the mounting plate EUPA, you have to use the codes on page 103.



RAL 7035



RAL 5020



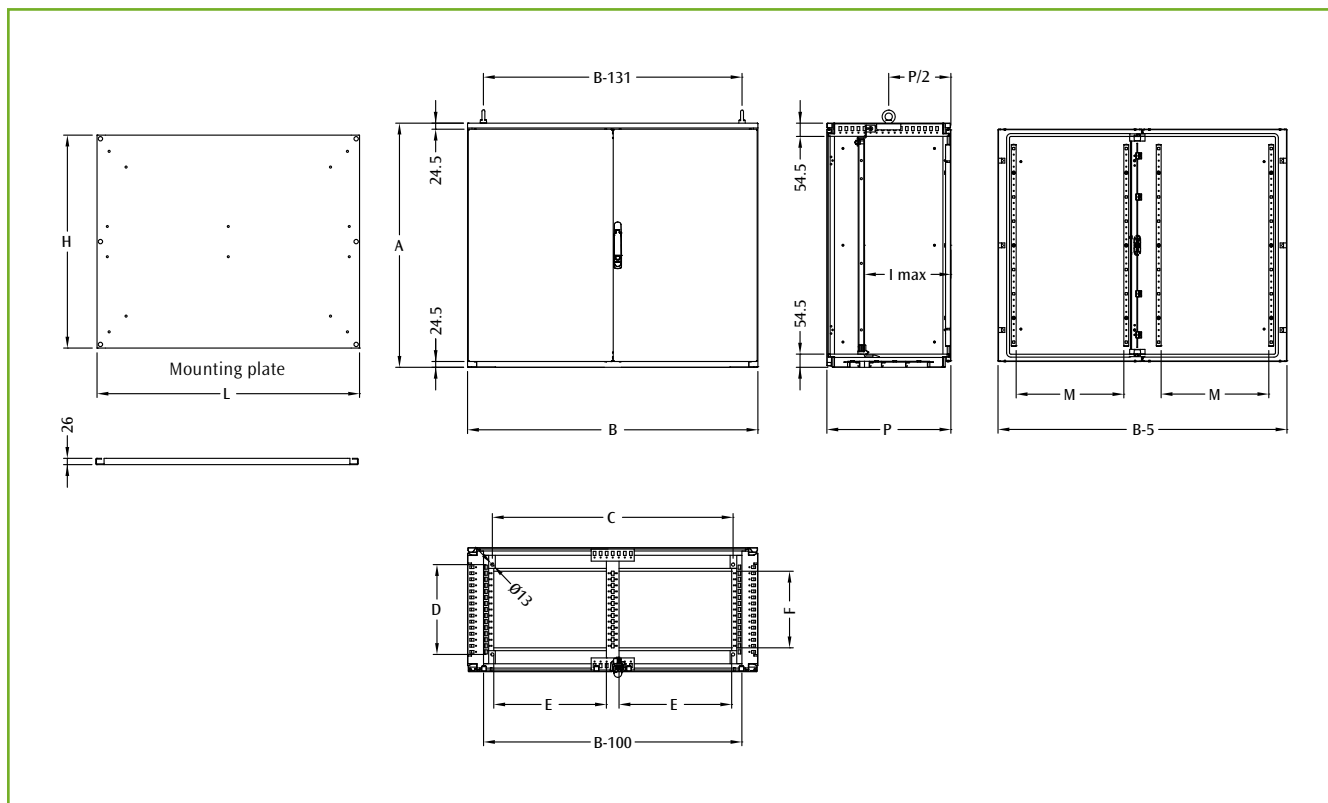
Modular plinth EUZE, see page 104



Eyebolts, see page 106



Internal uprights, see page 106



DIMENSIONAL SPECIFICATIONS

DIMENSIONS			CABINET DIMENSIONS			FLOOR FIXING		CABLE ENTRY		DOOR SPACE	MOUNTING PLATE DIM.		
WIDTH	HEIGHT	DEPTH	B	A	P	C	D	E	F	M	L	H	I (MAX)
1200	800	400	1200	809	414	995	271	447	220	445	1085	680	350
1200	1000	400	1200	1009	414	995	271	447	220	445	1085	880	350
1400	1000	400	1400	1009	414	1195	271	547	220	545	1285	880	350
1600	1000	400	1600	1009	414	1395	271	647	220	645	1485	880	350
1800	1000	400	1800	1009	414	1595	271	747	220	745	1685	880	350

CABINET CODE

DIMENSIONS			CABINET WITH BLANK DOOR										
WIDTH	HEIGHT	DEPTH											
1200	800	400	EMOX120804PR										
1200	1000	400	EMOX121004PR										
1400	1000	400	EMOX141004PR										
1600	1000	400	EMOX161004PR										
1800	1000	400	EMOX181004PR										

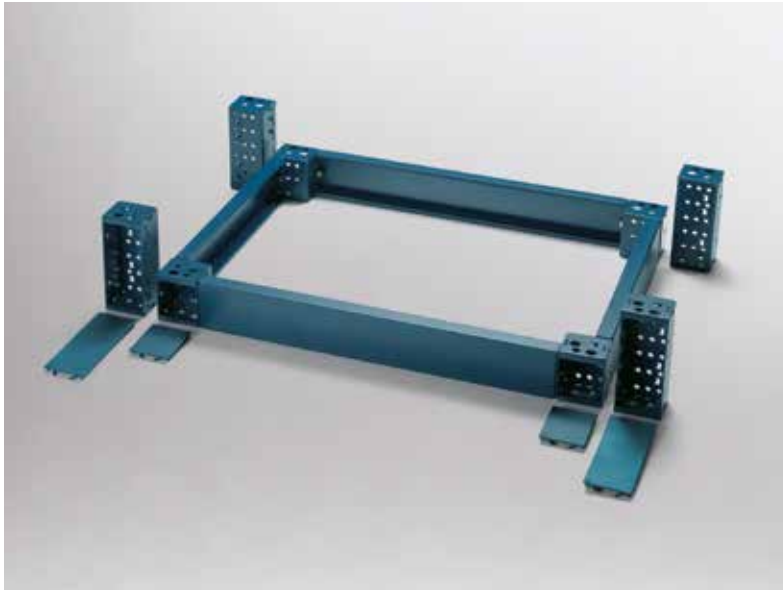
In case it is necessary to replace the mounting plate EUPA, you have to use the codes here below.

SPARE FRONT-INSERTED MOUNTING PLATE

EUPA CODE	CABINET DIMENSIONS			MOUNTING PLATE DIM.		
	B	A	P	L	H	I (MAX)
EUPA-120080	1200	809	395	1085	680	350
EUPA-120100	1200	1009	395	1085	880	350
EUPA-140100	1400	1009	395	1285	880	350
EUPA-160100	1600	1009	395	1485	880	350
EUPA-180100	1800	1009	395	1685	880	350

Munting plate EUPA for E MOX horizontal version is supplied in one piece.

Monobloc



MODULAR PLINTH EUZE

CHARACTERISTICS

Corner pieces manufactured from press bent sheet steel, with PVC front covers caps. Front and side crosspieces manufactured from press bent sheet steel.

PAINT FINISH

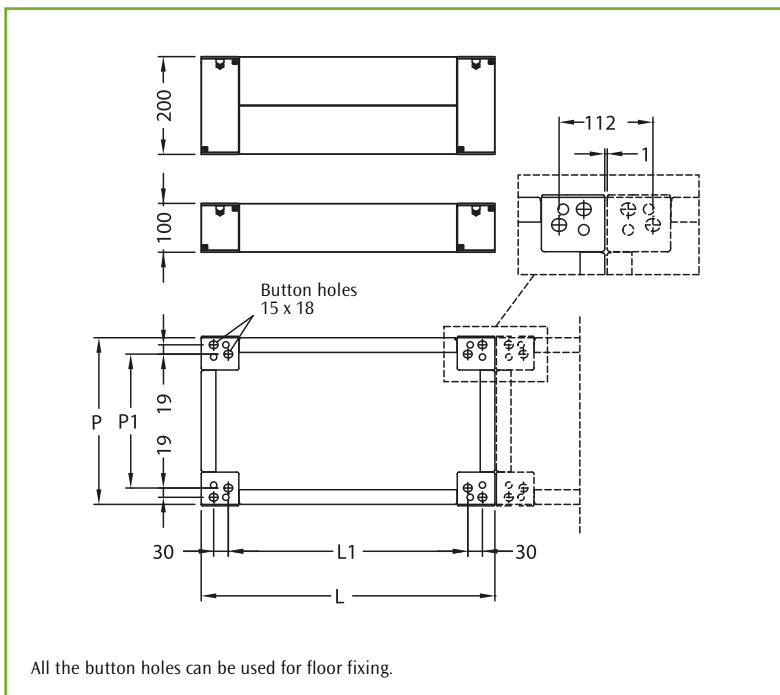
ETA standard finishing cycle: paint-based primer with deposition by cataphoresis with epoxy resin and finishing using thermosetting powders. Colour: RAL 5020 textured finish.



SUPPLY

The modular plinth is made up of:

- corner pieces: supply includes 4 pieces complete with front covers and mounting hardware
- front crosspieces: supply includes 2 pieces
- side crosspieces: supply includes 2 pieces.



COMPATIBILITY WITH E NUX SYSTEM AND ETA ACCESSORIES:

- E NUX blank door, plexi door, rear panel
- mounting plate EUPA
- partial mounting plate EUPR, see page 53
- inner door EUPI, see page 57
- locking system ELWE, see page 59
- E NUX complementary accessories (i.e.: profiles H=50 mm WTPR and fast fixing brackets, door frame, drawing desk WTRL, plan pocket...) for inner mounting.



UNIVERSAL CORNER PIECES

EUZE CODE	DESCRIPTION
EUZE-A100	CORNER PIECES FOR PLINTH H=100
EUZE-A200	CORNER PIECES FOR PLINTH H=200

Supply includes 4 pieces with mounting accessories.

FRONT CROSSPIECES

EUZE CODE	DESCRIPTION	CROSS. LENGTH MM
EUZE-T0600	PLINTH FRONT CROSSPIECES W=600	444
EUZE-T0800	PLINTH FRONT CROSSPIECES W=800	644
EUZE-T1000	PLINTH FRONT CROSSPIECES W=1000	844
EUZE-T1200	PLINTH FRONT CROSSPIECES W=1200	1044
EUZE-T1400	PLINTH FRONT CROSSPIECES W=1400	1244
EUZE-T1600	PLINTH FRONT CROSSPIECES W=1600	1444
EUZE-T1800	PLINTH FRONT CROSSPIECES W=1800	1644

Supply includes 2 pieces.

To order the front crosspieces H=200, add the suffix "D" to the code. (I.e.: EUZE-T0600D).

E MOX SIDE CROSSPIECES

EUZE CODE	DESCRIPTION	CROSS. LENGTH MM
EUZE-T0400M	SIDE CROSSPIECES D=400	233
EUZE-T0500M	SIDE CROSSPIECES D=500	333

Supply includes 2 pieces.

To order the side crosspieces H=200, add the suffix "D" to the code. (I.e.: EUZE-T0400MD).

DIMENSIONAL SPECIFICATIONS

DIMENSIONS		PLINTH DIMENSIONS		CENT. DISTANCES	
WIDTH	DEPTH	L	P	L1	P1
600	400	600	373	489	300
600	500	600	473	489	400
800	400	800	373	689	300
800	500	800	473	689	400
1000	400	1000	373	889	300
1000	500	1000	473	889	400
1200	400	1200	373	1089	300
1200	500	1200	473	1089	400
1400	400	1400	373	1289	300
1600	400	1600	373	1489	300
1800	400	1800	373	1689	300

RAIN CANOPY EMTT

Ideal solution for outdoor installations where you need extra protection from atmospheric agents. We recommend the use of a special polyester painting for outdoor applications.

CHARACTERISTICS

Manufactured from sheet steel.

PAINT FINISH

ETA standard finishing cycle: paint-based primer with deposition by cataphoresis with epoxy resin and finishing using thermosetting powders. Colour: RAL 5020 textured finish.



SUPPLY

Includes 1 piece with mounting accessories.

Available on request rain canopy with different inclinations and angles.



RAIN CANOPY EMTT

EMTT CODE	DIMENSIONS	
	WIDTH	DEPTH
EMTT060040	600	400
EMTT060050	600	500
EMTT080040	800	400
EMTT080050	800	500
EMTT100040	1000	400
EMTT100050	1000	500
EMTT120040	1200	400
EMTT120050	1200	500
EMTT140040	1400	400
EMTT160040	1600	400
EMTT180040	1800	400



INNER UPRIGHTS EUMI

Ideal solution to replicate the inside of the monobloc (E NUX) cabinet allowing the assembly of standard accessories including:

- partial mounting plates
- WTPR mounting rails
- 19" accessories
- shelves
- partial swing frames

CHARACTERISTICS

Manufactured from sendzimir sheet steel.

SUPPLY

Includes 2 pieces with mounting accessories.

INNER UPRIGHTS	
EUMI CODE	CABINET HEIGHT
EUMI000800	800
EUMI001000	1000
EUMI001600	1600
EUMI001800	1800
EUMI002000	2000



180° DOOR HINGES EUCE-180004

CHARACTERISTICS

Manufactured from pressed zama.

SUPPLY

Includes 3 pieces.



WTGS-003

Zincpassivated M12 lifting eyebolts.

SUPPLY

Includes 2 pieces with nuts and washers.



DOOR STOP WTFP

It allows the mechanical stop of the door (90° or 135°), preventing the accidental closing.

Supply includes 1 piece with mounting accessories.

DOOR STOP	
WTFP CODE	OPENING
WTFP-006	90°
WTFP-007	135°

MICROSWITCH WI100M

Complying with standards IEC 337-VDE 0660.

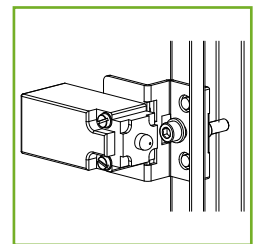
SUPPLY

Includes microswitch, mounting bracket and screws.

CONFORMITY AND APPROVAL



For assembly on E MOX cabinet provided with EUMI uprights, please order WI100.





For any requirement following your purchase order, the spare parts listed in the table can be ordered.

SPARE PARTS - E MOX SHEET STEEL

DIMENSIONS			SINGLE BLANK DOOR	DOUBLE BLANK DOOR WITHOUT UPRIGHTS		MOUNTING PLATE	PACKET OF CABLE BOTTOM INLET CABLE FASTENERS	PACKET OF ROD MECHANISM LOCKING SYSTEMS	
L	H	P		STOPPED WITH HANDLE	WITH STOPPING DEVICE			SINGLE DOOR/ DOUBLE DOOR STOPPED	DOUBLE DOOR WITH STOPPING DEVICE
600	1600	400	EUP0060160SM	-	-	EUPA-060160	EUTGK060040	EUCG-00600	-
600	1800	400	EUP0060180SM	-	-	EUPA-060180	EUTGK060040	EUCG-00600	-
600	1800	500	EUP0060180SM	-	-	EUPA-060180	EUTGK060050	EUCG-00600	-
600	2000	400	EUP0060200SM	-	-	EUPA-060200	EUTGK060040	EUCG-00600	-
600	2000	500	EUP0060200SM	-	-	EUPA-060200	EUTGK060050	EUCG-00600	-
800	1600	400	EUP0080160SM	-	-	EUPA-080160	EUTGK080040	EUCG-00800	-
800	1800	400	EUP0080180SM	-	-	EUPA-080180	EUTGK080040	EUCG-00800	-
800	1800	500	EUP0080180SM	-	-	EUPA-080180	EUTGK080050	EUCG-00800	-
800	2000	400	EUP0080200SM	-	-	EUPA-080200	EUTGK080040	EUCG-00800	-
1000	1600	400	EUP0100160SM	-	-	EUPA-100160	EUTGK100040	EUCG-01000	-
1000	1800	400	EUP0100180SM	-	-	EUPA-100180	EUTGK100040	EUCG-01000	-
1000	1800	500	EUP0100180SM	-	-	EUPA-100180	EUTGK100050	EUCG-01000	-
1000	2000	400	EUP0100200SM	-	-	EUPA-100200	EUTGK100040	EUCG-01000	-
1000	2000	500	EUP0100200SM	-	-	EUPA-100200	EUTGK100050	EUCG-01000	-
1200	800	400	-	EUP0120080SMI	EUP0120080SMC	EUPA-120080	EUTGK120040	EUCG-01200	EUCG-01200C
1200	1000	400	-	EUP0120100SMI	EUP0120100SMC	EUPA-120100	EUTGK120040	EUCG-01200	EUCG-01200C
1200	1600	400	-	EUP0120160SMI	EUP0120160SMC	EUPA-120160	EUTGK120040	EUCG-01200	EUCG-01200C
1200	1800	400	-	EUP0120180SMI	EUP0120180SMC	EUPA-120180	EUTGK120040	EUCG-01200	EUCG-01200C
1200	1800	500	-	EUP0120180SMI	EUP0120180SMC	EUPA-120180	EUTGK120050	EUCG-01200	EUCG-01200C
1200	2000	400	-	EUP0120200SMI	EUP0120200SMC	EUPA-120200	EUTGK120040	EUCG-01200	EUCG-01200C
1200	2000	500	-	EUP0120200SMI	EUP0120200SMC	EUPA-120200	EUTGK120050	EUCG-01200	EUCG-01200C
1400	1000	400	-	EUP0140100SMI	EUP0140100SMC	EUPA-140100	EUTGK140040	EUCG-01400	EUCG-01400C
1600	1000	400	-	EUP0160100SMI	EUP0160100SMC	EUPA-160100	EUTGK160040	EUCG-01600	EUCG-01600C
1600	1800	400	-	EUP0160180SMI	EUP0160180SMC	EUPA-160180	EUTGK160040	EUCG-01600	EUCG-01600C
1600	2000	400	-	EUP0160200SMI	EUP0160200SMC	EUPA-160200	EUTGK160040	EUCG-01600	EUCG-01600C
1800	1000	400	-	EUP0180100SMI	EUP0180100SMC	EUPA-180100	EUTGK180040	EUCG-01800	EUCG-01800C

Monobloc

Compact



ETA QUALITY, STURDY

E COMP represents the ideal solution to meet the need of a compact solution for both free-standing and wall-mounting applications.

The concept of E COMP make it available as the “link” between the E MOX monobloc cabinets and the E COR wall-mounting boxes: E COMP has been designed for applications requiring a free-standing cabinet smaller than E MOX or a wall-mounting box larger than our E COR.

E COMP is perfectly compatible with ETA solutions, thanks to the advanced design, the differentiated colour impact, the innovative latching system. E COMP – featured with solidity and ergonomic design – is provided with modular cable entry and fits with ETA standard accessories.

BENEFITS

Aesthetic profile and colour	Design
Compact solution for free-standing or wall-mounting applications	Solidity
Functional and ergonomic compatibility with ETA product philosophy	Integration
Innovative latch system	Functionality
Perfect adherence to industry standards	Safety



Compact



e comp

COMPACT ENCLOSURE

FEATURES

- 1 Visual uniformity with monobloc range E MOX and suite cabinets E NUX.
- 2 Completely welded enclosure.
- 3 Lifting with 2 eyebolts (same of E MOX cabinet) or wall-mounting with brackets (same of E COR boxes).
- 4 3-points fixed locking system with the possibility of mounting different inserts.
- 5 Front inserted mounting plate included in the supply.
- 6 Door with reinforcement sendzimir profiles provided with a centre-to-centre distance that is identical to the one of the E NUX door, for the fixation of the same rail.
- 7 Possibility to assemble vertical/horizontal profiles and fast-fixing brackets.
- 8 Modular cable entry bottom with adjustable base plates and seal.
- 9 Easy installation of the mounting plate and effective sliding thanks to specific guides.
- 10 Differentiated colour impact: RAL 7035 for the cabinet and colour RAL 5020 matched with aesthetic profile, handle and plinth.
- 11 Fitting with ETA range of accessories and easy-to-assemble modular plinth EUZE.

Protection rating: IP55 - Nema 12 - IK10.





Compact

CHARACTERISTICS

Sheet steel enclosure.
Sheet steel door with galvanised strengthening profiles (for single door L=800 mm, complete reinforcement frame envisioned) and standard 110° door opening. Mounting plate in galvanised sheet steel.

PAINT FINISH

ETA standard finishing cycle: paint-based primer with deposition by cataphoresis with epoxy resin and finishing using thermosetting powders:

- enclosure and door: colour RAL 7035 textured finish
- aesthetic profile: colour RAL 5020 textured finish.



SUPPLY

Enclosure supplied with:

- front aesthetic profile
- door with 2 stiffening sendzimir profiles and Ø 3 mm double bar locking system
- adjustable cable entry
- front-inserted mounting plate.

PROTECTION RATING

- IP55 according to IEC EN62208; EN60529
- NEMA 12 according to UL508A; UL50*
- protection degree guaranteed by the two-component polyurethane foam
- impact resistance IK10 complying with IEC EN62208; EN62262.



* NEMA 4 available on request



RAL 7035



RAL 5020



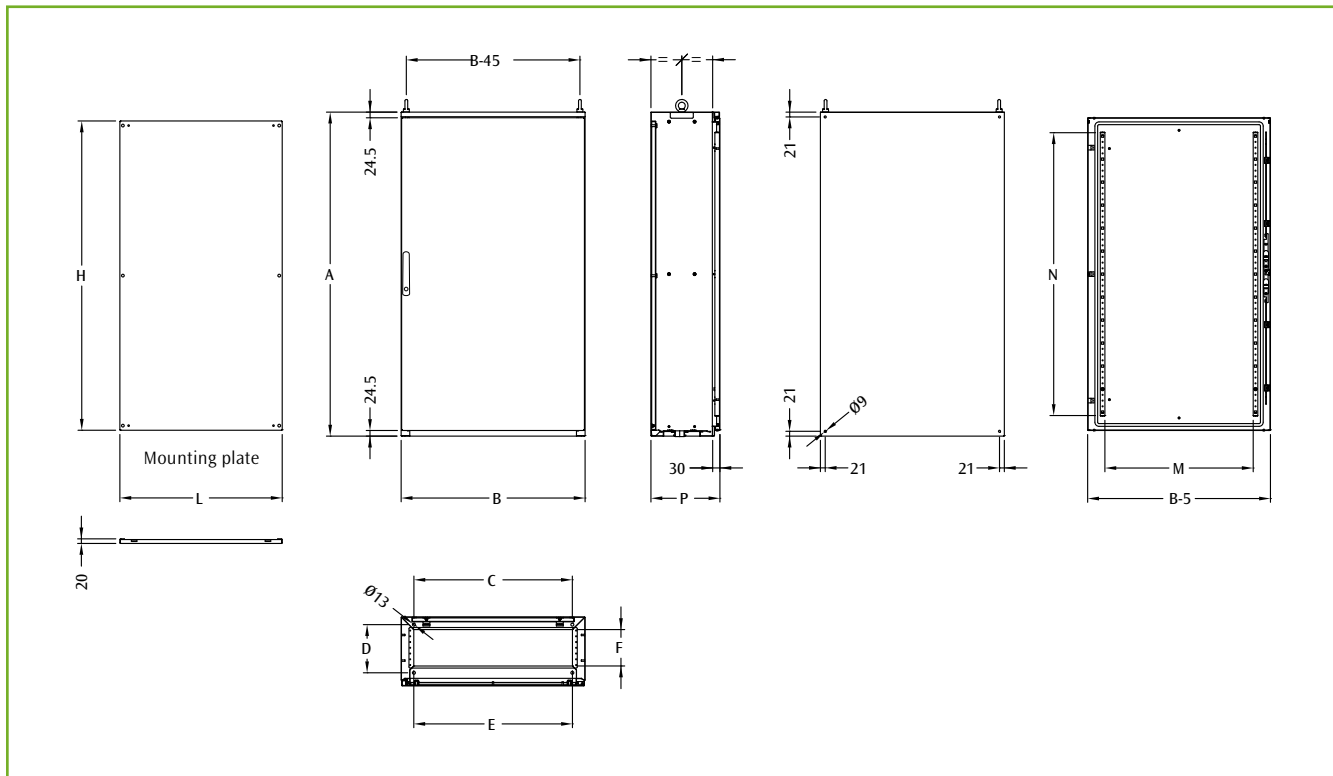
Universal plinth EUZE, see page 114



Eyebolts, see page 114



Wall-mounting brackets, see page 115



Compact

DIMENSIONAL SPECIFICATIONS

E COMP CODE	CABINET DIMENSIONS			FLOOR FIXING		CABLE ENTRY		DOOR SPACE		M. PLATE DIM.	
	B	A	P	C	D	E	F	M	N	L	H
ECOMP61240	600	1209	400	489	310	490	260	445	1030	506	1145
ECOMP61430	600	1409	300	489	210	490	160	445	1230	506	1345
ECOMP61440	600	1409	400	489	310	490	260	445	1230	506	1345
ECOMP81240	800	1209	400	689	310	690	260	645	1030	706	1145
ECOMP81430	800	1409	300	689	210	690	160	645	1230	706	1345
ECOMP81440	800	1409	400	689	310	690	260	645	1230	706	1345

Available on request enclosure with plexi door. For the product code, add the suffix PV (I.e.: ECOMP61240PV).



For any requirement following your purchase order, the spare parts listed in the table can be ordered.

SPARE PARTS - E COMP SHEET STEEL

DIMENSIONS			SINGLE BLANK DOOR	MOUNTING PLATE	PACKET OF CABLE BOTTOM INLET CABLE FASTENERS	PACKET OF ROD MECHANISM LOCKING SYSTEMS
L	H	P				
600	1200	400	EUPO060120LSM	EUPA-060120PA	ECOMP-TG060040	EUCG-00600
600	1400	300	EUPO060140LSM	EUPA-060140PA	ECOMP-TG060030	EUCG-00600
600	1400	400	EUPO060140LSM	EUPA-060140PA	ECOMP-TG060040	EUCG-00600
800	1200	400	EUPO080120LSM	EUPA-080120PA	ECOMP-TG080040	EUCG-00800
800	1400	300	EUPO080140LSM	EUPA-080140PA	ECOMP-TG080030	EUCG-00800
800	1400	400	EUPO080140LSM	EUPA-080140PA	ECOMP-TG080040	EUCG-00800



Compact

CHARACTERISTICS

Enclosure manufactured from sheet steel. Door manufactured from sheet steel. Mounting plate manufactured from sendzimir sheet steel.

PAINT FINISH

ETA standard finishing cycle: paint-based primer with deposition by cataphoresis with epoxy resin and finishing using thermosetting powders:

- enclosure and door: colour RAL 7035 textured finish
- aesthetic profile: colour RAL 5020 textured finish.



SUPPLY

Enclosure supplied with:

- front aesthetic profile
- door with 2 stiffening sendzimir profiles and Ø 3 mm double bar locking system
- adjustable cable entry
- front-inserted mounting plate.

PROTECTION RATING

- IP55 according to IEC EN62208; EN60529
- NEMA 12 according to UL508A; UL50
- protection degree guaranteed by the two-component polyurethane foam
- impact resistance IK10 complying with IEC EN62208; EN62262.



RAL 7035



RAL 5020



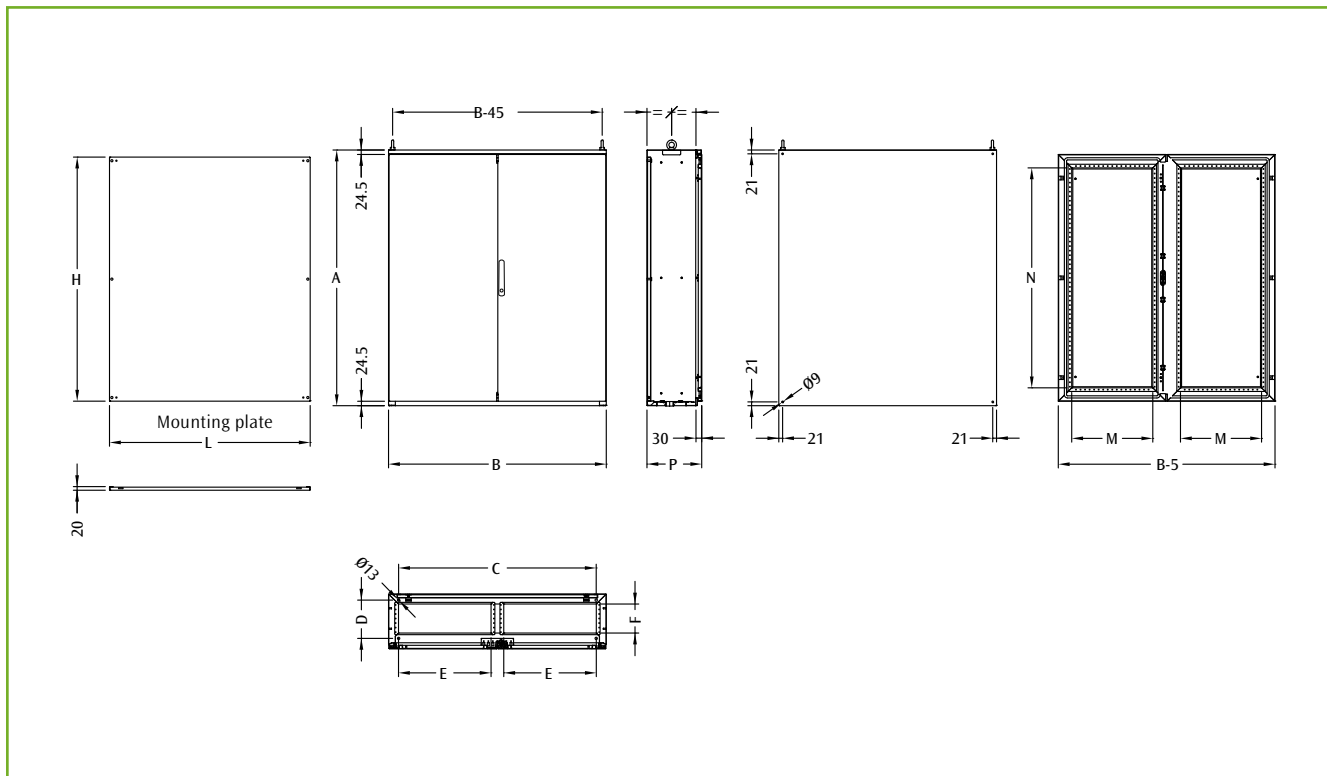
Universal plinth EUZE, see page 114



Eyebolts, see page 114



Wall-mounting brackets, see page 115



Compact

DIMENSIONAL SPECIFICATIONS

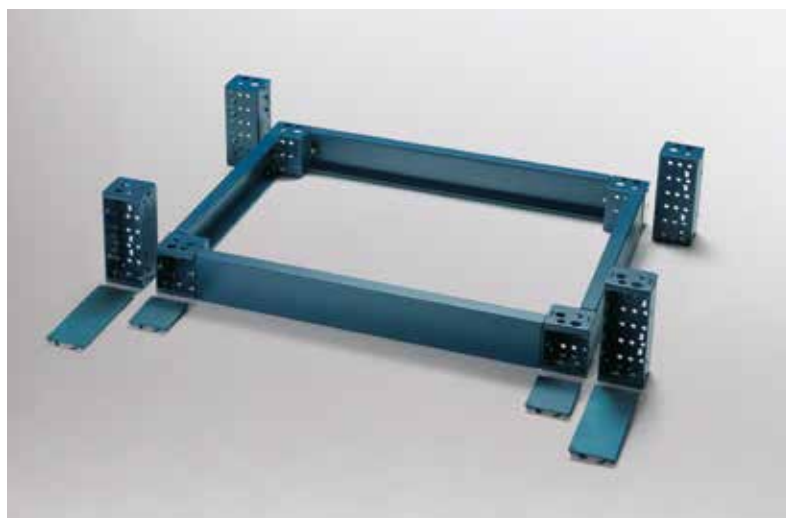
E COMP CODE	CABINET DIMENSIONS			FLOOR FIXING		CABLE ENTRY		DOOR SPACE		MOUNT. PLATE DIM.	
	B	A	P	C	D	E	F	M	N	L	H
ECOMP101240	1000	1209	400	889	310	390	260	345	1030	906	1145
ECOMP101430	1000	1409	300	889	210	390	160	345	1230	906	1345
ECOMP101440	1000	1409	400	889	310	390	260	345	1230	906	1345
ECOMP121240	1200	1209	400	1089	310	490	260	345	1030	1106	1145
ECOMP121430	1200	1409	300	1089	210	490	160	445	1230	1106	1345
ECOMP121440	1200	1409	400	1089	310	490	260	445	1230	1106	1345



For any requirement following your purchase order, the spare parts listed in the table can be ordered.

SPARE PARTS - E COMP SHEET STEEL

DIMENSIONS			DOUBLE BLANK DOOR		MOUNTING PLATE	PACKET OF CABLE BOTTOM INLET CABLE FASTENERS	PACKET OF ROD MECHANISM LOCKING SYSTEMS	
L	H	P	STOPPED WITH HANDLE	WITH STOPPING DEVICE			DOOR STOPPED	DOOR WITH STOPPING DEVICE
1000	1200	400	EUP0100120LSMI	EUP0100120LSMC	EUPA-100120PA	ECOMP-TG100040	EUCG-01000	EUCG-01000C
1000	1400	300	EUP0100140LSMI	EUP0100140LSMC	EUPA-100140PA	ECOMP-TG100030	EUCG-01000	EUCG-01000C
1000	1400	400	EUP0100140LSMI	EUP0100140LSMC	EUPA-100140PA	ECOMP-TG100040	EUCG-01000	EUCG-01000C
1200	1200	400	EUP0120120LSMI	EUP0120120LSMC	EUPA-120120PA	ECOMP-TG120040	EUCG-01200	EUCG-01200C
1200	1400	300	EUP0120140LSMI	EUP0120140LSMC	EUPA-120140PA	ECOMP-TG120030	EUCG-01200	EUCG-01200C
1200	1400	400	EUP0120140LSMI	EUP0120140LSMC	EUPA-120140PA	ECOMP-TG120040	EUCG-01200	EUCG-01200C



Compact

MODULAR PLINTH EUZE

CHARACTERISTICS

Corner pieces manufactured from press bent sheet steel, with PVC front covers caps. Front and side cross-pieces manufactured from press bent sheet steel.

PAINT FINISH

ETA standard finishing cycle: paint-based primer with deposition by cataphoresis with epoxy resin and finishing using thermosetting powders. Colour: RAL 5020 textured finish.



SUPPLY

The modular plinth is made up of:

- corner pieces: supply includes 4 pieces complete with front covers and mounting hardware
- front crosspieces: supply includes 2 pieces
- side crosspieces: supply includes 2 pieces.

UNIVERSAL CORNER PIECES

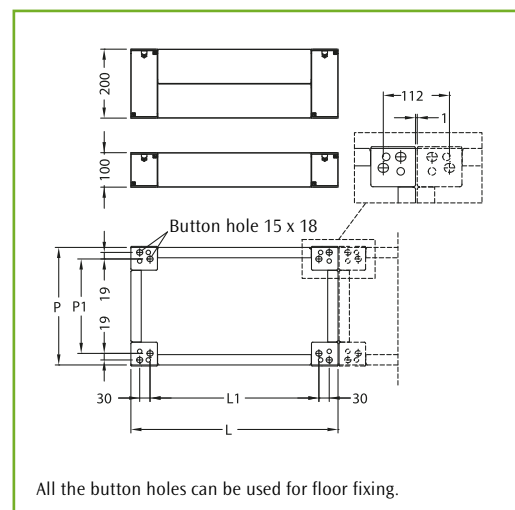
EUZE CODE	DESCRIPTION
EUZE-A100	CORNER PIECES FOR PLINTH H=100
EUZE-A200	CORNER PIECES FOR PLINTH H=200

Supply includes 4 pieces with mounting accessories.

FRONT CROSSPIECES

EUZE CODE	DESCRIPTION	CROSS. LENGTH MM
EUZE-T0600	PLINTH FRONT CROSSPIECES W=600	444
EUZE-T0800	PLINTH FRONT CROSSPIECES W=800	644
EUZE-T1000	PLINTH FRONT CROSSPIECES W=1000	844
EUZE-T1200	PLINTH FRONT CROSSPIECES W=1200	1044

To order the front and side crosspieces H=200, add the suffix "D" to the code (I.e.: EUZE-T0600D). Supply includes 2 pieces.



All the button holes can be used for floor fixing.

E COMP SIDE CROSSPIECES

EUZE CODE	DESCRIPTION	CROSS. LENGTH MM
EUZE-T0300S	SIDE CROSSPIECES FOR PLINTH D=300	136
EUZE-T0400C	SIDE CROSSPIECES FOR PLINTH D=400	236

To order the front and side crosspieces H=200, add the suffix "D" to the code (I.e.: EUZE-T0300SD). Supply includes 2 pieces.

DIMENSIONAL SPECIFICATIONS

DIMENSIONS		PLINTH DIMENSIONS		CENT. DISTANCES	
WIDTH	DEPTH	L	P	L1	P1
600	300	600	278	489	203
600	400	600	378	489	303
800	300	800	278	689	203
800	400	800	378	689	303
1000	300	1000	278	889	203
1200	300	1200	278	1089	203

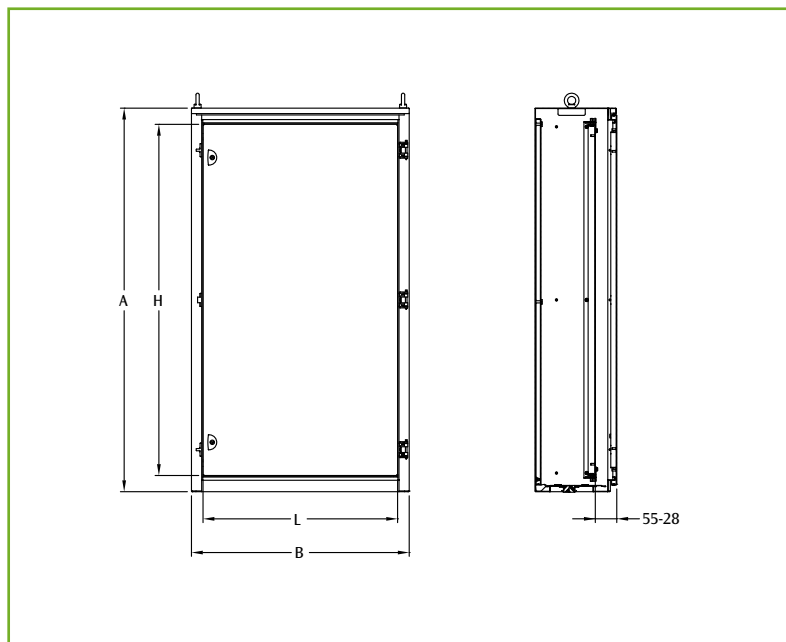
EYEBOLTS WTGS-003

Zincpassivated M12 lifting eyebolts.

SUPPLY

Includes 2 pieces with nuts and washers.





KIT INNER DOOR EPP01

CHARACTERISTICS

Frame and door manufactured from sheet steel.

PAINT FINISH

ETA standard finishing cycle: paint-based primer with deposition by cataphoresis with epoxy resin and finishing using thermosetting powders. Colour: RAL 7035 textured finish.



SUPPLY

- Includes:
- frame
 - door with Ø 3 mm double bar locking system
 - mounting accessories.

PROTECTION RATING

- external: IP55
- internal: IP20.

Compact

KIT INNER DOOR

EPP01 CODE	FOR COMPACT ENCLOSURES	DIMENSIONS		DOOR DIMENSIONS		N° OF LOCKING POINTS
		B	A	L	H	
EPP01612	ECOMP61240	600	1200	515	1090	2
EPP01812	ECOMP81240	800	1200	715	1090	2
EPP01614	ECOMP61440	600	1400	515	1290	2
EPP01814	ECOMP81440	800	1400	715	1290	2

RAIN CANOPY EPTT

Ideal solution for outdoor installations where you need extra protection from atmospheric agents. We recommend the use of a special polyester painting for outdoor applications.

CHARACTERISTICS

Manufactured from sheet steel.

PAINT FINISH

ETA standard finishing cycle: paint-based primer with deposition by cataphoresis with epoxy resin and finishing using thermosetting powders. Colour: RAL 5020 textured finish.



SUPPLY

Includes 1 piece with mounting accessories.

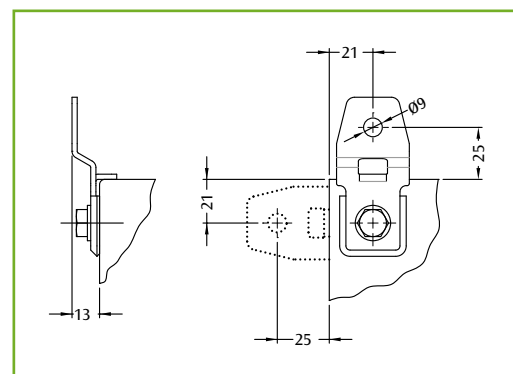
Available on request rain canopy with different inclinations and angles.

WALL MOUNTING BRACKETS SDWC-010

Manufactured from zincpassivated sheet steel.

SUPPLY

Includes 4 pieces.



RAIN CANOPY EPTT

EPTT CODE	DIMENSIONS	
	WIDTH	DEPTH
EPTT060030	600	300
EPTT060040	600	400
EPTT080030	800	300
EPTT080040	800	400
EPTT100030	1000	300
EPTT100040	1000	400
EPTT120030	1200	300
EPTT120040	1200	400

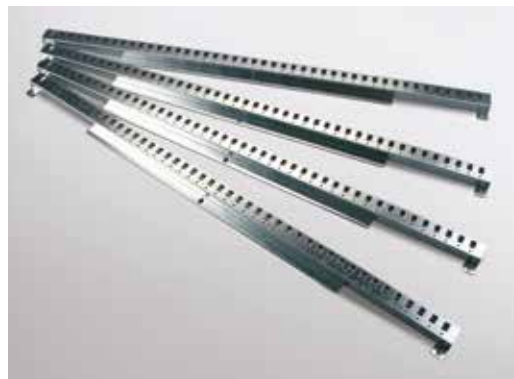
VERTICAL RAILS WTPR - P

CHARACTERISTICS

Manufactured from sendzimir sheet steel.

SUPPLY

Includes 4 pieces with mounting accessories.



VERTICAL RAILS	
WTPR CODE	CABINET HEIGHT
WTPR-050120P	1200
WTPR-050140P	1400

FAST FIXING BRACKETS WTPR - R

CHARACTERISTICS

Manufactured from sendzimir sheet steel, H=50 mm.

SUPPLY

Includes 4 pieces with mounting accessories.



FAST FIXING BRACKETS	
WTPR CODE	CABINET DEPTH
WTPR-050022R	300
WTPR-050032R	400

180° HINGES EUCE-180004

To be mounted on standard doors for 180° opening.

CHARACTERISTICS

Manufac. from zinc material.

PAINT FINISH

Colour: RAL 5020.

SUPPLY

Includes 3 hinges with mounting accessories.



DOOR STOP WTFP-004

It allows the mechanical stop of the door (90°), preventing the accidental closing.

SUPPLY

Includes 1 piece with mounting accessories.

MICROSWITCH WI100M

Complying with standards IEC 337-VDE 0660.

SUPPLY

Includes microswitch, mounting bracket and screws.

CONFORMITY AND APPROVAL



For assembly on E MOX cabinet provided with EUMI uprights, please order WI100.

SLIDING RAILS ECPP

They allow easy installation of the mounting plate. Rails can be removed after installation and kept for future use.

CHARACTERISTICS

Manufactured from sendzimir zinc sheet steel.

SUPPLY

Includes 2 pieces with mounting accessories.



SLIDING RAILS	
ECPP CODE	CABINET DEPTH
ECPP-00300	300
ECPP-00400	400



e nux

MODULAR SOLUTIONS

FEATURES

Thanks to the extreme flexibility of the cabinet system E NUX and to the compatibility with all ETA accessories, the structure of the cabinet allows the creation of modular solutions:

- modular enclosures for LV power distribution
- enclosures with external door modules and fully split cubicles
- enclosures with multiple doors with several separated cells on a single structure.

From structure to modular solution, in a few steps:

- 1 identification of the configuration based on E NUX cabinet
- 2 choice of the cabinet front, by simply selecting doors/panels
- 3 choice of the interior.





Modular

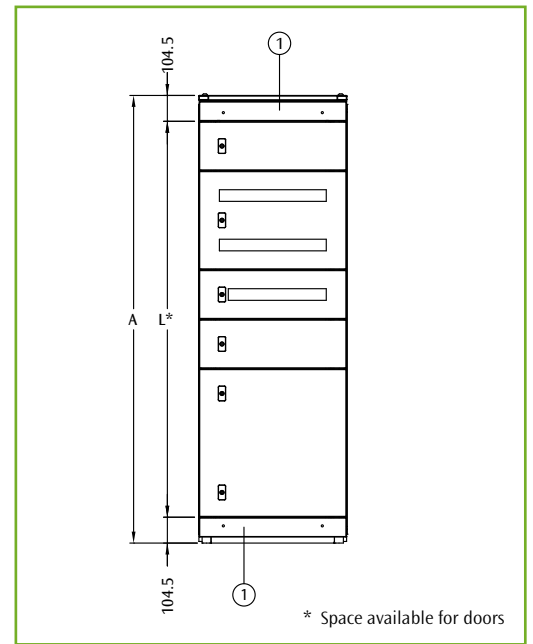
CHARACTERISTICS/SUPPLY

- The solution is composed by:
- E NUX structure and bottom with adjustable cable entry manufactured from high-strength low-alloy sheet steel
 - roof manufactured from sheet steel
 - rear panel manufactured from sheet steel.

PAINT FINISH

ETA standard finishing cycle: paint-based primer with deposition by cataphoresis with epoxy resin and finishing using thermosetting powders:

- structure: colour RAL 7035 smooth finish
- rear panel: colour RAL 7035 textured finish
- roof: colour RAL 5020 textured finish.



RAL 7035



RAL 5020



EUFI - M side panels, see pag. 125



EUZE modular plinth, see page 62

1 Front panels kit WTCl (2 pieces) to be ordered separately.

DIMENSIONAL SPECIFICATIONS

CABINET DIMENSIONS			
B	A	P	L
600	1809	414	1600
600	1809	514	1600
600	1809	614	1600
600	1809	814	1600
800	1809	414	1600
800	1809	514	1600
800	1809	614	1600
800	1809	814	1600
600	2009	414	1800
600	2009	514	1800
600	2009	614	1800
600	2009	814	1800
800	2009	414	1800
800	2009	514	1800
800	2009	614	1800
800	2009	814	1800


ASSEMBLED STRUCTURE FOR MODULAR CABINET MULTIPLE DOORS

CABINET DIMENSIONS			E NUX
WIDTH	HEIGHT	DEPTH	CODE
600	1800	400	ENUX061804ST
600	1800	500	ENUX061805ST
600	1800	600	ENUX061806ST
600	1800	800	ENUX061808ST
600	2000	400	ENUX062004ST
600	2000	500	ENUX062005ST
600	2000	600	ENUX062006ST
600	2000	800	ENUX062008ST
800	1800	400	ENUX081804ST
800	1800	500	ENUX081805ST
800	1800	600	ENUX081806ST
800	1800	800	ENUX081808ST
800	2000	400	ENUX082004ST
800	2000	500	ENUX082005ST
800	2000	600	ENUX082006ST
800	2000	800	ENUX082008ST

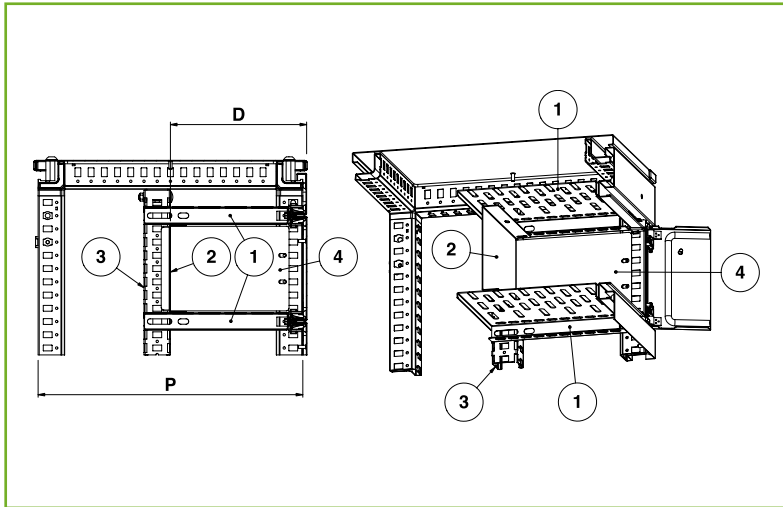
Modular

FLAT-PACK STRUCTURE FOR MODULAR CABINET MULTIPLE DOORS

CABINET DIMENSIONS			ROOF + BOTTOM	2 FRONT UPRIGHTS FOR E NUX MULT. DOORS	REAR PANEL
WIDTH	HEIGHT	DEPTH	EUTF CODE	EUMT CODE	EURE CODE
600	1800	400	EUTF060040	EUMT001800	EURE060180
600	1800	500	EUTF060050	EUMT001800	EURE060180
600	1800	600	EUTF060060	EUMT001800	EURE060180
600	1800	800	EUTF060080	EUMT001800	EURE060180
600	2000	400	EUTF060040	EUMT002000	EURE060200
600	2000	500	EUTF060050	EUMT002000	EURE060200
600	2000	600	EUTF060060	EUMT002000	EURE060200
600	2000	800	EUTF060080	EUMT002000	EURE060200
800	1800	400	EUTF080040	EUMT001800	EURE080180
800	1800	500	EUTF080050	EUMT001800	EURE080180
800	1800	600	EUTF080060	EUMT001800	EURE080180
800	1800	800	EUTF080080	EUMT001800	EURE080180
800	2000	400	EUTF080040	EUMT002000	EURE080200
800	2000	500	EUTF080050	EUMT002000	EURE080200
800	2000	600	EUTF080060	EUMT002000	EURE080200
800	2000	800	EUTF080080	EUMT002000	EURE080200

 To complete the configuration of the cabinet, see on pages 120-125.

1. IDENTIFICATION OF THE CONFIGURATION BASED ON E NUX

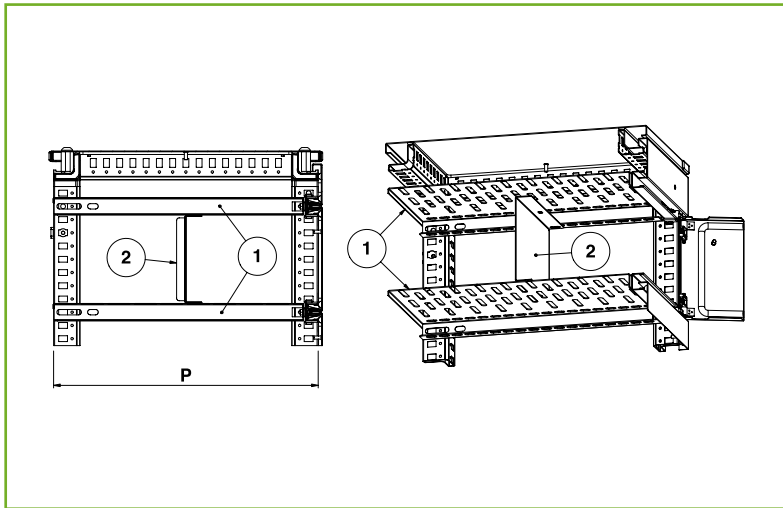


LEGEND

REF.	DESCRIPTION
1	PARTIAL HORIZONTAL PLATE: EUDO
2	MOUNTING PLATE: EUPU
3*	RAIL WTPR-050180CP (H=1800)
3*	RAIL WTPR-050200CP (H=2000)
4	SIDE COVER: EUSV

* To be ordered separately: fixing brackets WTSF-001CP.

Modular



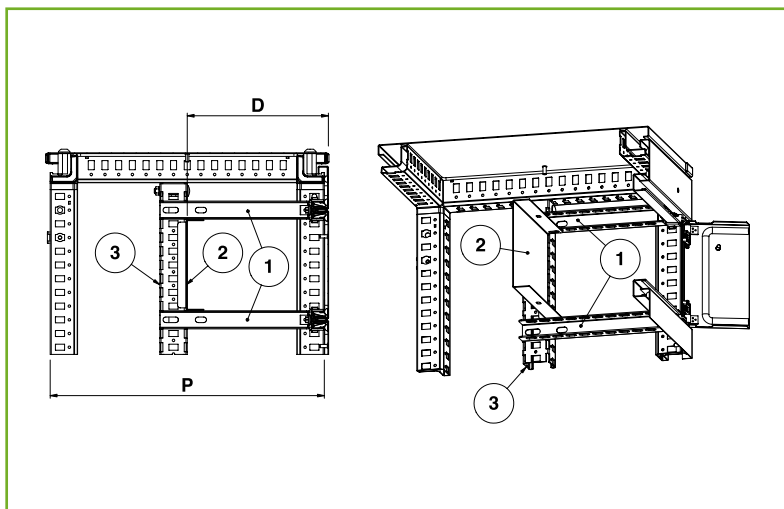
LEGEND

REF.	DESCRIPTION
1	HORIZONTAL PLATE: EUDO
2	MOUNTING PLATE: EUPU

HORIZONTAL PLATE*

CABINET DEPTH		PARTIAL HORIZONTAL PLATE		TOTAL HORIZONTAL PLATE	
P	D MAX	CABINET WIDTH=600	CABINET WIDTH=800	CABINET WIDTH=600	CABINET WIDTH=800
400	105	EUDO-060010	EUDO-080010	EUDO-060040	EUDO-080040
400	155	EUDO-060015	EUDO-080015	EUDO-060040	EUDO-080040
500	105	EUDO-060010	EUDO-080010	EUDO-060050	EUDO-080050
500	155	EUDO-060015	EUDO-080015	EUDO-060050	EUDO-080050
500	255	EUDO-060025	EUDO-080025	EUDO-060050	EUDO-080050
600	105	EUDO-060010	EUDO-080010	EUDO-060060	EUDO-080060
600	155	EUDO-060015	EUDO-080015	EUDO-060060	EUDO-080060
600	255	EUDO-060025	EUDO-080025	EUDO-060060	EUDO-080060
600	355	EUDO-060040	EUDO-080040	EUDO-060060	EUDO-080060
800	105	EUDO-060010	EUDO-080010	EUDO-060080	EUDO-080080
800	155	EUDO-060015	EUDO-080015	EUDO-060080	EUDO-080080
800	255	EUDO-060025	EUDO-080025	EUDO-060080	EUDO-080080
800	355	EUDO-060040	EUDO-080040	EUDO-060080	EUDO-080080

* Single piece

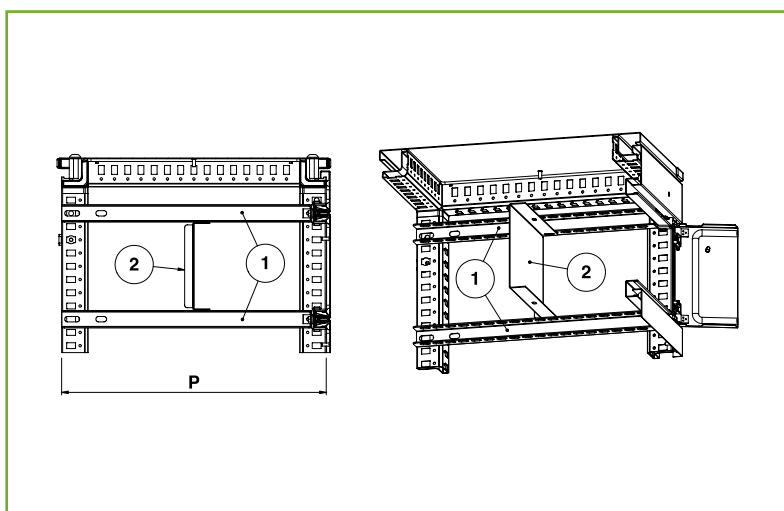


LEGEND

REF.	DESCRIPTION
1	PARTIAL RAIL: WTPR
2	MOUNTING PLATE: EUPU
3*	RAIL WTPR-050180CP (H=1800)
3*	RAIL WTPR-050200CP (H=2000)

* To be ordered separately: fixing brackets WTSF-001CP

Modular



LEGEND

REF.	DESCRIPTION
1	TOTAL RAIL: WTPR
2	MOUNTING PLATE: EUPU

RAILS*

CABINET DEPTH		PARTIAL DEPTH		TOTAL DEPTH	
P	D MAX	WTPR CODE	WTPR CODE	WTPR CODE	WTPR CODE
400	105	-	-	WTPR-033040	WTPR-033040
400	155	WTPR-033015	-	WTPR-033040	WTPR-033040
500	105	-	-	WTPR-033050	WTPR-033050
500	155	WTPR-033015	-	WTPR-033050	WTPR-033050
500	255	WTPR-033025	-	WTPR-033050	WTPR-033050
600	105	-	-	WTPR-033060	WTPR-033060
600	155	WTPR-033015	-	WTPR-033060	WTPR-033060
600	255	WTPR-033025	-	WTPR-033060	WTPR-033060
600	355	WTPR-033040	-	WTPR-033060	WTPR-033060
800	105	-	-	WTPR-033080	WTPR-033080
800	155	WTPR-033015	-	WTPR-033080	WTPR-033080
800	255	WTPR-033025	-	WTPR-033080	WTPR-033080
800	355	WTPR-033040	-	WTPR-033080	WTPR-033080

* 2 pieces

2. CHOICE OF THE CABINET CONFIGURATION BY SIMPLE PANEL/DOOR SELECTION

FRONT PANELS WTCI

CHARACTERISTICS
Manufactured from sheet steel.

PAINT FINISH
ETA standard finishing cycle: paint-based primer with deposition by cataphoresis with epoxy resin and finishing using thermosetting powders. Colour: RAL 7035 textured finish.



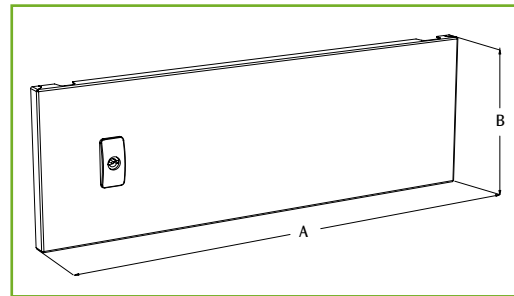
FRONT PANELS	
WTCI CODE	CABINET WIDTH
WTCI060100	600
WTCI080100	800

BLANK DOORS EUPD

CHARACTERISTICS
Manufactured from sheet steel complete with sealing gasket and locking system.

SUPPLY
Includes 1 piece.

PAINT FINISH
ETA standard finishing cycle: paint-based primer with deposition by cataphoresis with epoxy resin and finishing using thermosetting powders. Colour: RAL 7035 textured finish.



EUSO horizontal rail to be ordered separately.

BLANK DOORS		
EUPD CODE	DIMENSIONS	
	A	B
EUPD060020	600	200
EUPD060030	600	300
EUPD060040	600	400
EUPD060050	600	500
EUPD060060	600	600
EUPD060070	600	700
EUPD060080	600	800
EUPD060090	600	900
EUPD060100	600	1000
EUPD060120	600	1200
EUPD080020	800	200
EUPD080030	800	300
EUPD080040	800	400
EUPD080050	800	500
EUPD080060	800	600
EUPD080070	800	700
EUPD080080	800	800
EUPD080090	800	900
EUPD080100	800	1000
EUPD080120	800	1200

Modular

DOORS WITH MODULE SLOTS EUPD - M

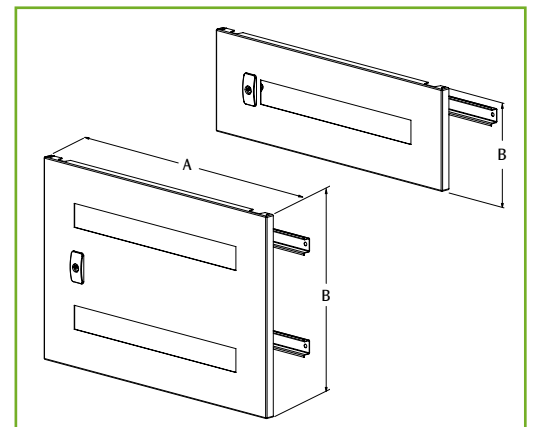
CHARACTERISTICS
Manufactured from sheet steel.

SUPPLY
Includes 1 piece complete with DIN profiles.

PAINT FINISH
ETA standard finishing cycle: paint-based primer with deposition by cataphoresis with epoxy resin and finishing using thermosetting powders. Colour: RAL 7035 textured finish.



EUSO horizontal rail to be ordered separately.



DOORS WITH MODULE SLOT			
EUPD CODE	DIMENSIONS		N° OF SLOTS (18 MM)
	A	B	
EUPD060020M	600	200	1x22
EUPD060040M	600	400	2x24
EUPD080020M	800	200	1x33
EUPD080040M	800	400	2x35

3. CHOICE OF THE INNER ACCESSORIES

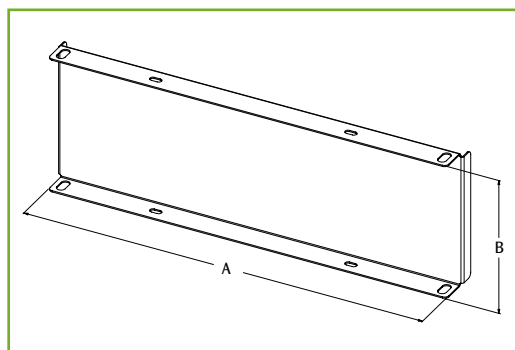
MOUNTING PLATE EUPU

CHARACTERISTICS

Manufactured from sendzimir sheet steel.

SUPPLY

Includes 1 piece complete with mounting accessories.



MOUNTING PLATE				
EUPU CODE	DIMENSIONS		MOUNT. PLATE DIM.	
	WIDTH	HEIGHT	A	B
EUPU-060020	600	200	490	165
EUPU-060030	600	300	490	265
EUPU-060040	600	400	490	365
EUPU-060050	600	500	490	465
EUPU-060060	600	600	490	565
EUPU-060070	600	700	490	665
EUPU-060080	600	800	490	765
EUPU-060090	600	900	490	865
EUPU-060100	600	1000	490	965
EUPU-060120	600	1200	490	1165
EUPU-080020	800	200	690	165
EUPU-080030	800	300	690	265
EUPU-080040	800	400	690	365
EUPU-080050	800	500	690	465
EUPU-080060	800	600	690	565
EUPU-080070	800	700	690	665
EUPU-080080	800	800	690	765
EUPU-080090	800	900	690	865
EUPU-080100	800	1000	690	965
EUPU-080120	800	1200	690	1165

Modular

HORIZONTAL DOOR PROFILE EUSO

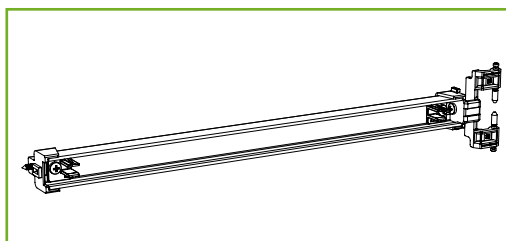
Necessary to allow fixing of the door EUPD onto the structure; to be ordered with door+door or door+edging.

CHARACTERISTICS

Manufactured from sendzimir sheet steel.

SUPPLY

Includes 1 piece complete with locking units, hinges to be mounted on a blank EUPD door, screws and mounting accessories.



HOR. DOOR LOCKING PROFILE EUPD

EUSO CODE	CABINET WIDTH
EUSO-000600C	600
EUSO-000800C	800

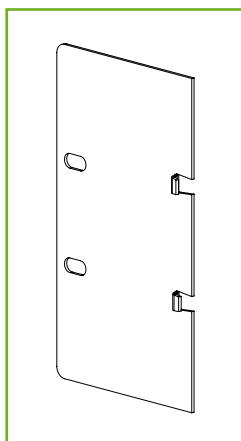
SIDE COVERS EUSV

CHARACTERISTICS

Manufactured from sendzimir sheet steel.

SUPPLY

Includes 2 pieces complete with mounting accessories.



SIDE COVERS				
HEIGHT DOOR	CUBICLE DEPTH "D" MM			
	105	155	255	355
	EUSV CODE	EUSV CODE	EUSV CODE	EUSV CODE
200	EUSV-010020	EUSV-015020	EUSV-025020	EUSV-035020
300	EUSV-010030	EUSV-015030	EUSV-025030	EUSV-035030
400	EUSV-010040	EUSV-015040	EUSV-025040	EUSV-035040
500	EUSV-010050	EUSV-015050	EUSV-025050	EUSV-035050
600	EUSV-010060	EUSV-015060	EUSV-025060	EUSV-035060
700	EUSV-010070	EUSV-015070	EUSV-025070	EUSV-035070
800	EUSV-010080	EUSV-015080	EUSV-025080	EUSV-035080
900	EUSV-010090	EUSV-015090	EUSV-025090	EUSV-035090
1000	EUSV-010100	EUSV-015100	EUSV-025100	EUSV-035100
1200	EUSV-010120	EUSV-015120	EUSV-025120	EUSV-035120

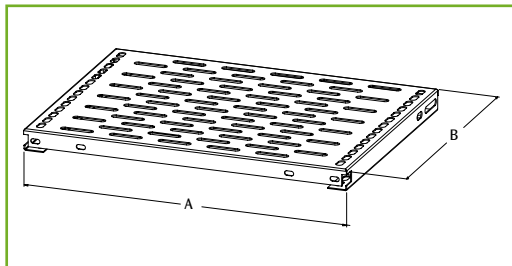
HORIZONTAL PLATE EUDO

CHARACTERISTICS

Manufactured from sendzimir sheet steel.

SUPPLY

Includes 1 piece complete with mounting accessories.



Modular

HORIZONTAL PLATE

EUDO CODE	CABINET WIDTH	DIMENSIONS	
		A	B
EUDO-060010	600	496	122
EUDO-060015	600	496	172
EUDO-060025	600	496	272
EUDO-060040	600	496	372
EUDO-060050	600	496	472
EUDO-060060	600	496	572
EUDO-060080	600	496	772
EUDO-080010	800	696	122
EUDO-080015	800	696	172
EUDO-080025	800	696	272
EUDO-080040	800	696	372
EUDO-080050	800	696	472
EUDO-080060	800	696	572
EUDO-080080	800	696	772

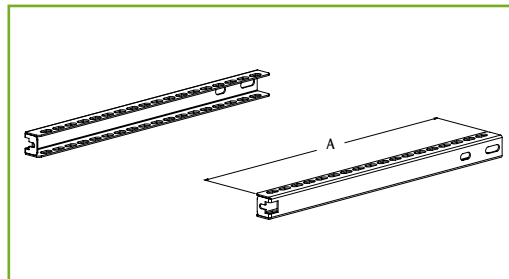
RAILS WTPR

CHARACTERISTICS

Manufactured from sendzimir sheet steel.

SUPPLY

2 pieces with mounting accessories.



RAILS

WTPR CODE	LENGTH
WTPR-033015	172
WTPR-033025	272
WTPR-033040	372
WTPR-033050	472
WTPR-033060	572
WTPR-033080	772

JOINING KIT EUKU-004

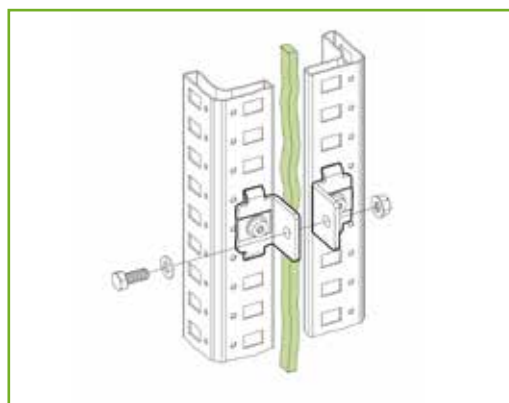
CHARACTERISTICS

Manufactured from zincpassivated sheet steel, allows to join multiple door cabinets in a quickly and effectively way.

SUPPLY

8 pieces with mounting accessories.

In order to lift suite cabinets with the joining kit EUKU-004, use lifting brackets WTSS-001 (see page 76).



SIDE PANELS EUFI - M

CHARACTERISTICS

Manufactured from sheet steel with folded sides.

SUPPLY

Includes 2 pieces with mounting accessories.

PAINT FINISH

ETA standard finishing cycle: paint-based primer with deposition by cataphoresis with epoxy resin and finishing using thermosetting powders. Colour: RAL 7035 textured finish.



SIDE PANELS		
EUFI-M CODE	WIDTH	HEIGHT
EUFI040180M	400	1800
EUFI040200M	400	2000
EUFI040220M	400	2200
EUFI050180M	500	1800
EUFI050200M	500	2000
EUFI050220M	500	2200
EUFI060180M	600	1800
EUFI060200M	600	2000
EUFI060220M	600	2200
EUFI080180M	800	1800
EUFI080200M	800	2000
EUFI080220M	800	2200

Modular

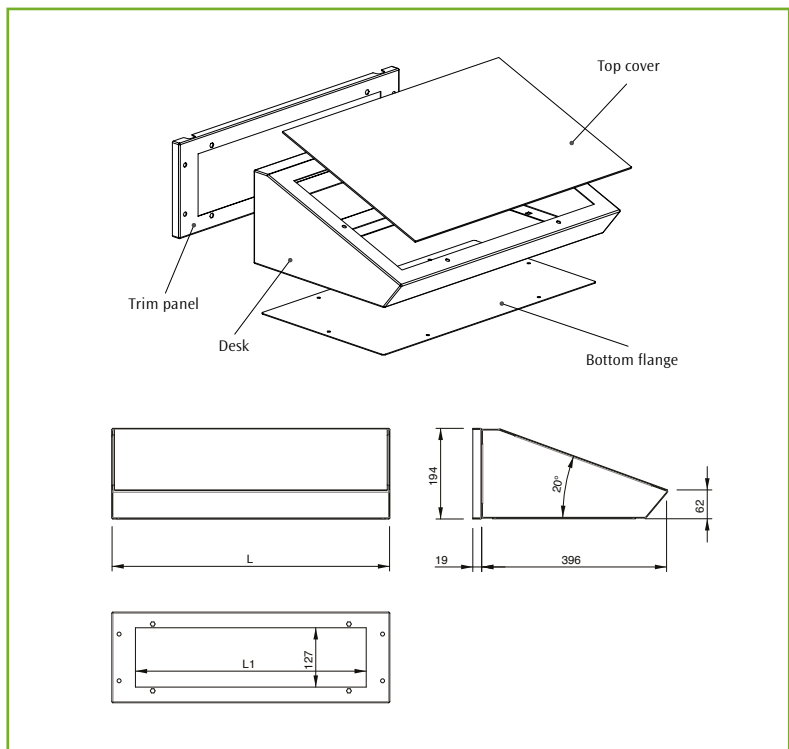
DESK FOR MULTIPLE DOOR CABINET EULE

CHARACTERISTICS

Manufactured from sheet steel.

PAINT FINISH

ETA standard finishing cycle: paint-based primer with deposition by cataphoresis with epoxy resin and finishing using thermosetting powders. Colour: RAL 7035 textured finish.



DESK FOR MULTIPLE DOOR CABINET

EULE CODE	CABINET WIDTH	L	L1
EULE000600	600	594	494
EULE000800	800	794	694



Modular

CHARACTERISTICS/SUPPLY

- The solution is composed by:
- E NUX structure and bottom with adjustable cable entry manufactured from high-strength low-alloy sheet steel
 - roof manufactured from sheet steel
 - rear panel manufactured from sheet steel
 - front door manufactured from sheet steel, with a plexi, complete with a Ø 3 mm lever-operated double bar locking system (alternatively, blank door available).

PAINT FINISH

- ETA standard finishing cycle: paint-based primer with deposition by cataphoresis with epoxy resin and finishing using thermosetting powders:
- structure: colour RAL 7035 smooth finish
 - rear panel: colour RAL 7035 textured finish
 - roof: colour RAL 5020 textured finish.



PROTECTION RATING

- IP55 according to IEC EN62208; EN60529
- NEMA 12 according to UL508A; UL50
- protection degree guaranteed by the two-component polyurethane foam
- impact resistance IK10 complying with IEC EN62208; EN62262.



RAL 7035



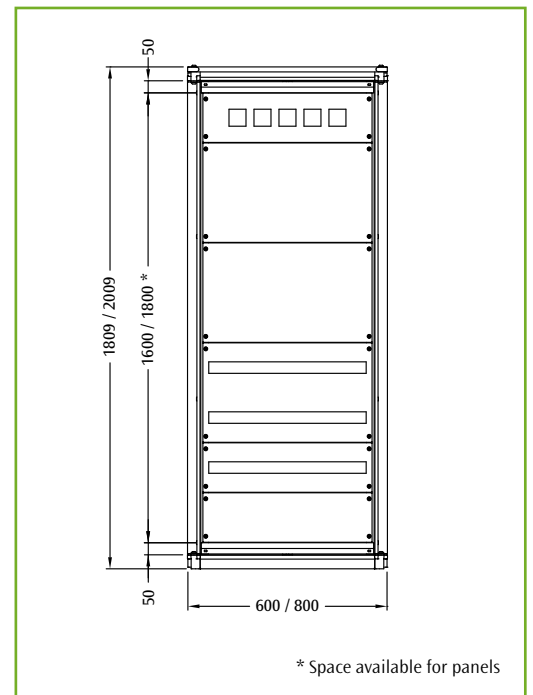
RAL 5020



EUFI side panels, see pag. 58



EUZE modular plinth, see page 62



ASSEMBLED CABINET WITH PLEXI DOOR

DIMENSIONS			E NUX
W	H	D	CODE
600	1800	400	ENUX061804PV
600	1800	500	ENUX061805PV
600	1800	600	ENUX061806PV
600	1800	800	ENUX061808PV
800	1800	400	ENUX081804PV
800	1800	500	ENUX081805PV
800	1800	600	ENUX081806PV
800	1800	800	ENUX081808PV
600	2000	400	ENUX062004PV
600	2000	500	ENUX062005PV
600	2000	600	ENUX062006PV
600	2000	800	ENUX062008PV
800	2000	400	ENUX082004PV
800	2000	500	ENUX082005PV
800	2000	600	ENUX082006PV
800	2000	800	ENUX082008PV

For the assembled cabinet with blank door, see ENUX codes on pages 36 and 37.

To these codes, add the structure EUSM.

FLAT-PACK CABINET WITH PLEXI DOOR

DIMENSIONS			ROOF +	PLEXI DOOR +	REAR PANEL
W	H	D	BOTTOM	FRONT UPRIGHTS	REAR UPRIGHTS
600	1800	400	EUTF060040	EUPV060180	EURE060180
600	1800	500	EUTF060050	EUPV060180	EURE060180
600	1800	600	EUTF060060	EUPV060180	EURE060180
600	1800	800	EUTF060080	EUPV060180	EURE060180
800	1800	400	EUTF080040	EUPV080180	EURE080180
800	1800	500	EUTF080050	EUPV080180	EURE080180
800	1800	600	EUTF080060	EUPV080180	EURE080180
800	1800	800	EUTF080080	EUPV080180	EURE080180
600	2000	400	EUTF060040	EUPV060200	EURE060200
600	2000	500	EUTF060050	EUPV060200	EURE060200
600	2000	600	EUTF060060	EUPV060200	EURE060200
600	2000	800	EUTF060080	EUPV060200	EURE060200
800	2000	400	EUTF080040	EUPV080200	EURE080200
800	2000	500	EUTF080050	EUPV080200	EURE080200
800	2000	600	EUTF080060	EUPV080200	EURE080200
800	2000	800	EUTF080080	EUPV080200	EURE080200

For blank door, see EUPO codes on pages 36 and 37.

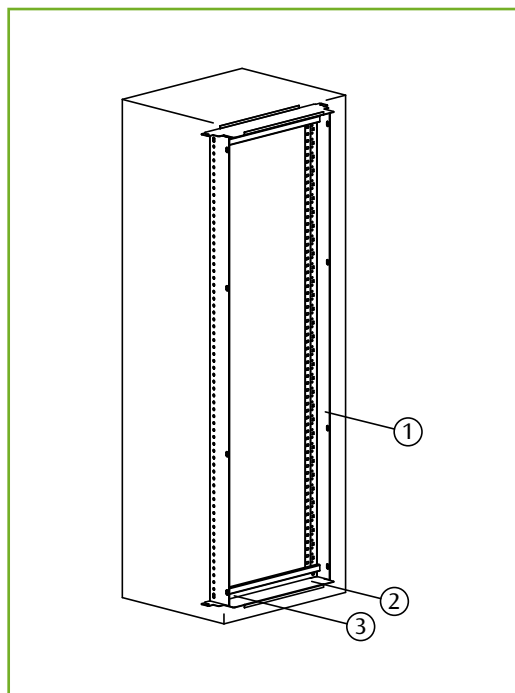
To these codes, add the structure EUSM.

Modular

MODULAR STRUCTURE EUSM

CHARACTERISTICS/SUPPLY

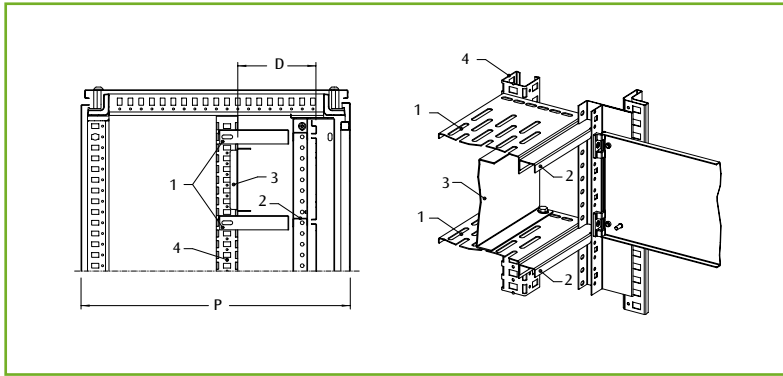
A pair of press bent sheet steel uprights and rails (Ref. 1 and 2). Trim rails manufactured from sheet steel (Ref. 3), painted in RAL 7035 textured finish.



MODULAR STRUCTURE

EUSM CODE	DIMENSIONS		REF.	DESCRIPTION
	WIDTH	HEIGHT		
EUSM060180	600	1800	1	TWO UPRIGHTS
			2	TWO COVERS
			3	TWO TRIM RAILS
EUSM080180	800	1800	1	TWO UPRIGHTS
			2	TWO COVERS
			3	TWO TRIM RAILS
EUSM060200	600	2000	1	TWO UPRIGHTS
			2	TWO COVERS
			3	TWO TRIM RAILS
EUSM080200	800	2000	1	TWO UPRIGHTS
			2	TWO COVERS
			3	TWO TRIM RAILS

1. IDENTIFICATION OF THE CONFIGURATION BASED ON E NUX

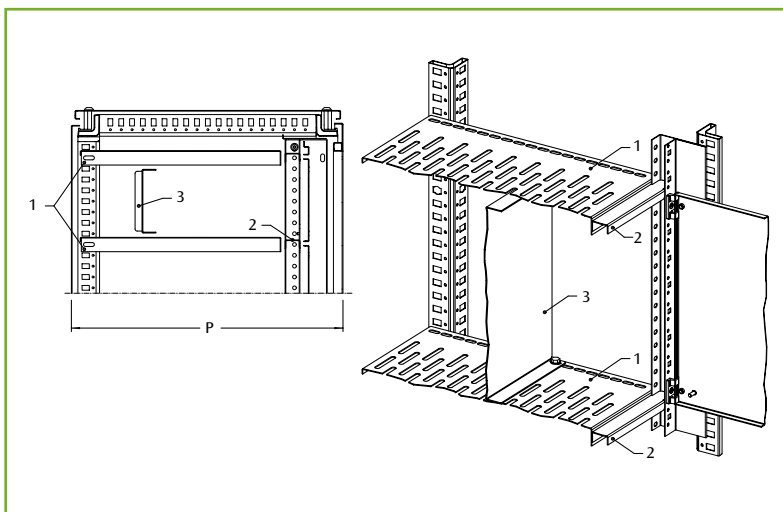


LEGEND

REF.	DESCRIPTION
1	PARTIAL HORIZONTAL PLATE: EUDO
2	FRONT COVER: EUSA
3	MOUNTING PLATE: EUPU
4*	RAILS WTPR-050180CP (H=1800)
4*	RAILS WTPR-050200CP (H=2000)

* To be ordered separately: fixing brackets for profiles WTSF-001CP.

Modular



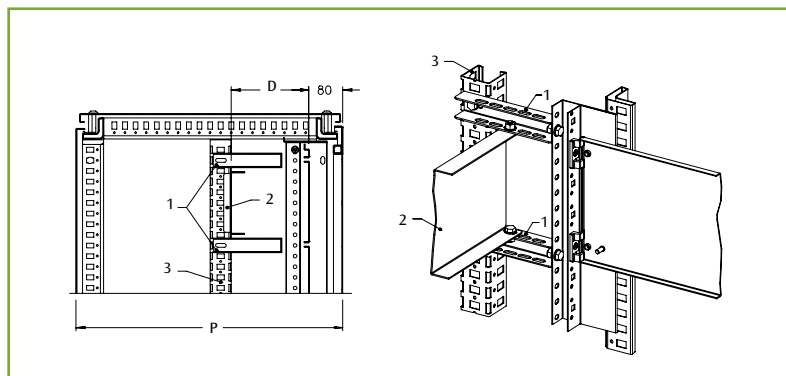
LEGEND

REF.	DESCRIPTION
1	TOTAL HORIZONTAL PLATE: EUDO
2	FRONT COVER: EUSA
3	MOUNTING PLATE: EUPU

HORIZONTAL PLATE*

CABINET DEPTH		PARTIAL HORIZONTAL PLATE		TOTAL HORIZONTAL PLATE	
P	D MAX	CABINET WIDTH=600	CABINET WIDTH=800	CABINET WIDTH=600	CABINET WIDTH=800
400	125	EUDO-060010	EUDO-080010	EUDO-060025	EUDO-080025
400	175	EUDO-060015	EUDO-080015	EUDO-060025	EUDO-080025
500	125	EUDO-060010	EUDO-080010	EUDO-060040	EUDO-080040
500	175	EUDO-060015	EUDO-080015	EUDO-060040	EUDO-080040
500	275	EUDO-060025	EUDO-080025	EUDO-060040	EUDO-080040
600	125	EUDO-060010	EUDO-080010	EUDO-060050	EUDO-080050
600	175	EUDO-060015	EUDO-080015	EUDO-060050	EUDO-080050
600	275	EUDO-060025	EUDO-080025	EUDO-060050	EUDO-080050
600	375	EUDO-060040	EUDO-080040	EUDO-060050	EUDO-080050
800	125	EUDO-060010	EUDO-080010	EUDO-060070	EUDO-080070
800	175	EUDO-060015	EUDO-080015	EUDO-060070	EUDO-080070
800	275	EUDO-060025	EUDO-080025	EUDO-060070	EUDO-080070
800	375	EUDO-060040	EUDO-080040	EUDO-060070	EUDO-080070

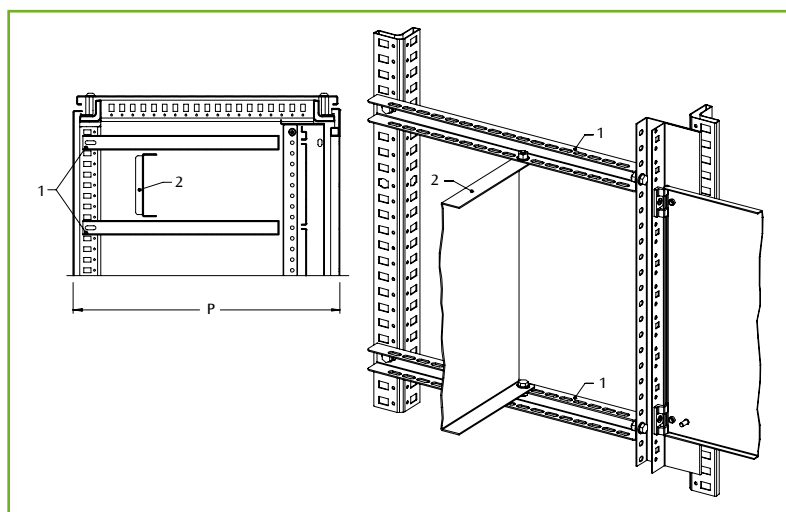
* Single piece



LEGEND

REF.	DESCRIPTION
1	PARTIAL RAIL: WTPR
2	MOUNTING PLATE: EUPU
3*	RAILS WTPR-050180CP (H=1800)
3*	RAILS WTPR-050200CP (H=2000)

* To be ordered separately: fixing brackets for profiles WTSF-001CP.



LEGEND

REF.	DESCRIPTION
1	TOTAL RAIL: WTPR
2	MOUNTING PLATE: EUPU

Modular

RAILS*

CABINET DEPTH		PARTIAL DEPTH	TOTAL DEPTH
P	D MAX	WTPR CODE	WTPR CODE
400	125	—	WTPR-033025
400	175	WTPR-033015	WTPR-033025
500	125	—	WTPR-033040
500	175	WTPR-033015	WTPR-033040
500	275	WTPR-033025	WTPR-033040
600	125	—	WTPR-033050
600	175	WTPR-033015	WTPR-033050
600	275	WTPR-033025	WTPR-033050
600	375	WTPR-033040	WTPR-033050
800	125	—	WTPR-033070
800	175	WTPR-033015	WTPR-033070
800	275	WTPR-033025	WTPR-033070
800	375	WTPR-033040	WTPR-033070

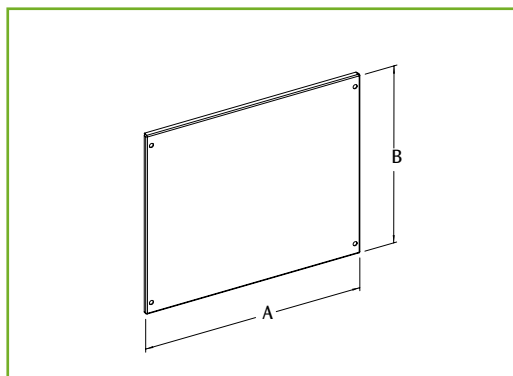
* 2 pieces

2. CHOICE OF THE CABINET CONFIGURATION BY SIMPLE PANEL/DOOR SELECTION

BLANK PANELS EUPM

CHARACTERISTICS
Manufactured from sheet steel in RAL 7035 textured finish.

SUPPLY
Includes 1 piece complete with mounting accessories.



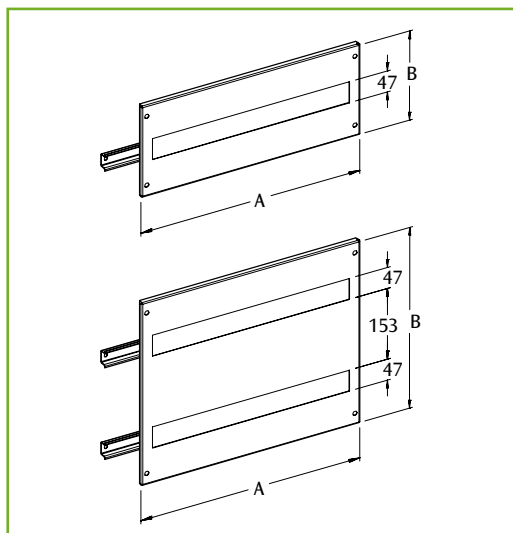
BLANK PANELS			
EUPM CODE	WIDTH CABINET	DIMENSIONS	
		A	B
EUPM060020	600	476	200
EUPM060030	600	476	300
EUPM060040	600	476	400
EUPM060050	600	476	500
EUPM060060	600	476	600
EUPM060070	600	476	700
EUPM060080	600	476	800
EUPM080020	800	676	200
EUPM080030	800	676	300
EUPM080040	800	676	400
EUPM080050	800	676	500
EUPM080060	800	676	600
EUPM080070	800	676	700
EUPM080080	800	676	800

Modular

PUNCHED PANELS EUPM - M

CHARACTERISTICS
Manufactured from sheet steel painted in RAL 7035 textured finish.

SUPPLY
Includes 1 piece complete with mounting accessories and DIN profiles.

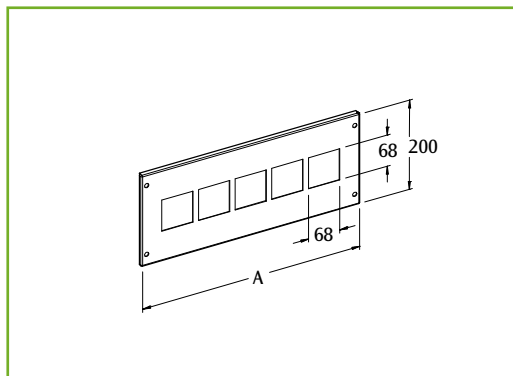


PUNCHED PANELS				
EUPM-M CODE	WIDTH CABINET	DIMENSIONS		NO. MOD. 18 MM
		A	B	
EUPM060020M	600	476	200	1x24
EUPM060040M	600	476	400	2x24
EUPM080020M	800	676	200	1x35
EUPM080040M	800	676	400	2x35

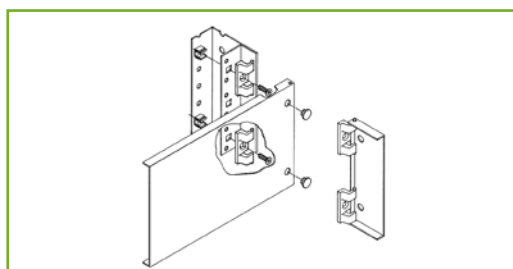
PUNCHED PANELS EUPH

CHARACTERISTICS
Manufactured from sheet steel painted in RAL 7035 textured finish.

SUPPLY
Includes 1 piece complete with mounting accessories and hinges.



PUNCHED PANELS		
EUPH CODE	WIDTH CABINET	DIMENSIONS
		A
EUPH060020	600	476
EUPH080020	800	676



HINGES MDWA-025

Easy fitting hinges, 90° opening. Made from zinc alloy.

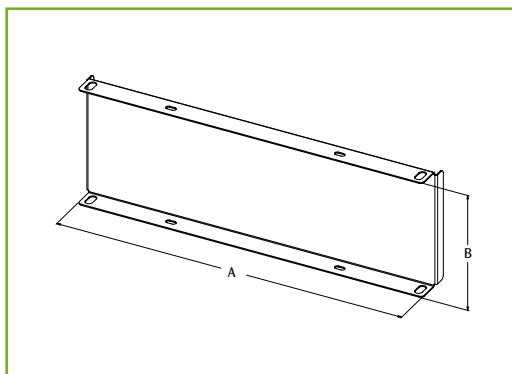
SUPPLY
Includes 2 pieces with mounting accessories.

3. CHOICE OF THE INNER ACCESSORIES

MOUNTING PLATE EUPU

CHARACTERISTICS
Manufactured from sendzimir sheet steel.

SUPPLY
Includes 1 piece complete with mounting accessories.



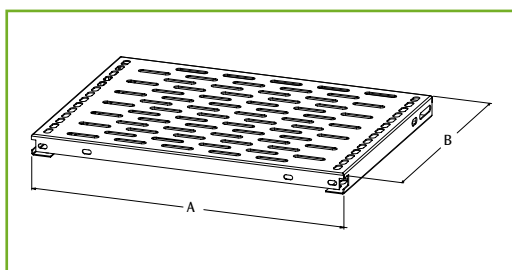
MOUNTING PLATE				
EUPU CODE	CAB. WIDTH	PANO. HEIGHT	DIMENSIONS	
			A	B
EUPU-060020	600	200	490	165
EUPU-060030	600	300	490	265
EUPU-060040	600	400	490	365
EUPU-060050	600	500	490	465
EUPU-060060	600	600	490	565
EUPU-060070	600	700	490	665
EUPU-060080	600	800	490	765
EUPU-080020	800	200	690	165
EUPU-080030	800	300	690	265
EUPU-080040	800	400	690	365
EUPU-080050	800	500	690	465
EUPU-080060	800	600	690	565
EUPU-080070	800	700	690	665
EUPU-080080	800	800	690	765

Modular

HORIZONTAL PLATE EUDO

CHARACTERISTICS
Manufactured from sendzimir sheet steel.

SUPPLY
Includes 1 piece complete with mounting accessories.

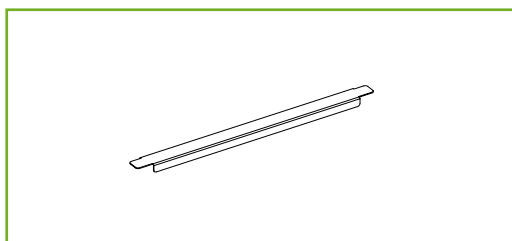


HORIZONTAL PLATE			
EUDO CODE	CAB. WIDTH	DIMENSIONS	
		A	B
EUDO-060010	600	496	122
EUDO-060015	600	496	172
EUDO-060025	600	496	272
EUDO-060040	600	496	372
EUDO-060050	600	496	472
EUDO-060070	600	496	672
EUDO-080010	800	696	122
EUDO-080015	800	696	172
EUDO-080025	800	696	272
EUDO-080040	800	696	372
EUDO-080050	800	696	472
EUDO-080070	800	696	672

FRONT COVERS EUSA

CHARACTERISTICS
Manufactured from sendzimir sheet steel.

SUPPLY
Includes 1 piece complete with mounting accessories.

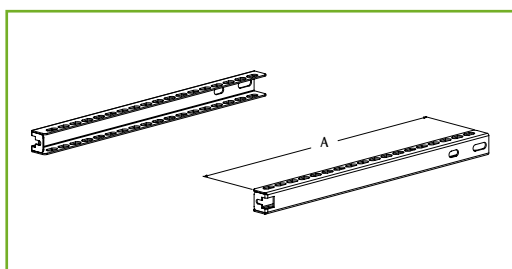


FRONT COVERS	
EUSA CODE	CABINET WIDTH
EUSA-000600	600
EUSA-000800	800

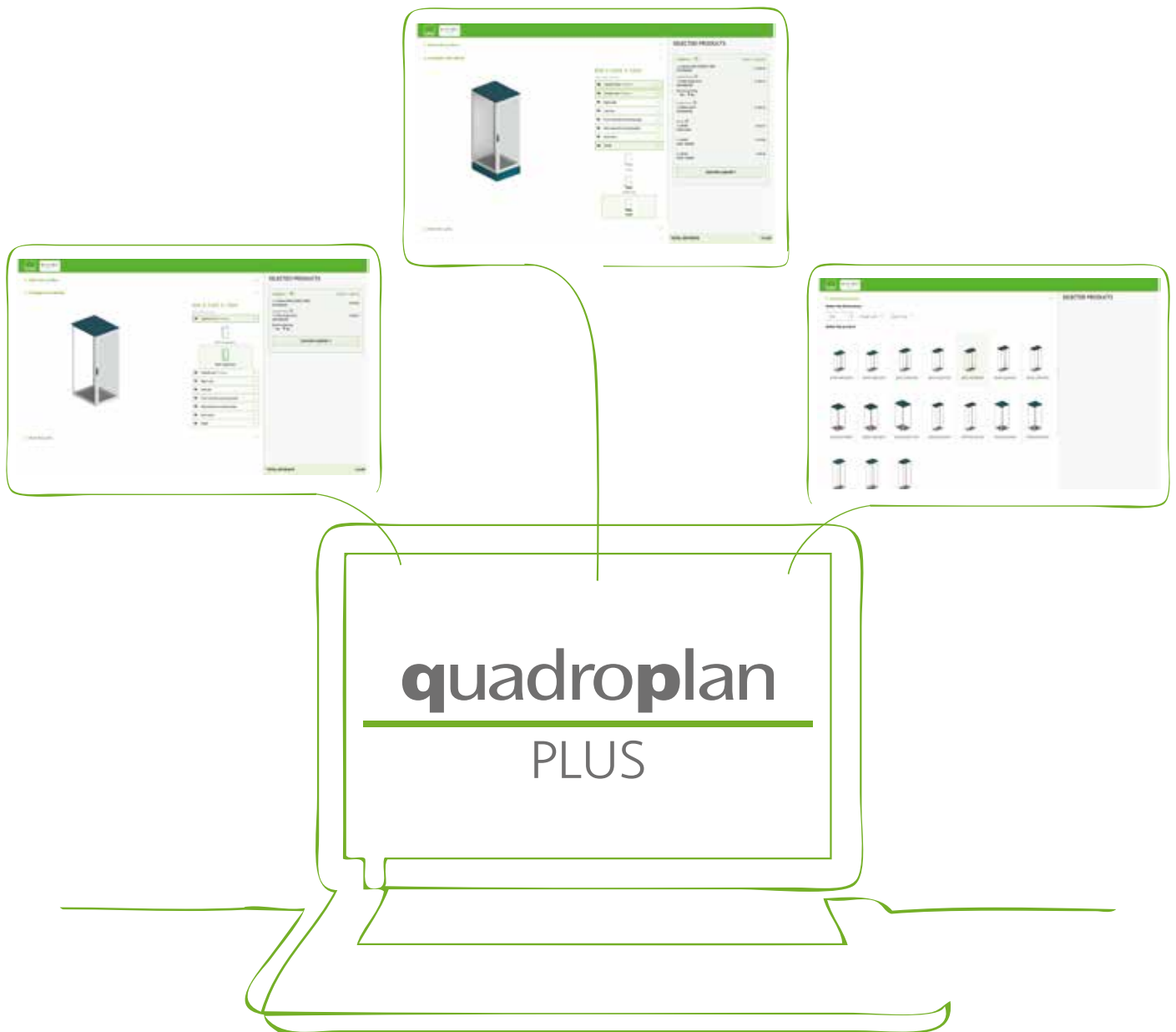
RAILS WTPR

CHARACTERISTICS
Manufactured from sendzimir sheet steel.

SUPPLY
Includes 2 pieces complete with mounting accessories.



RAILS	
WTPR CODE	LENGTH
	A
WTPR-033015	172
WTPR-033025	272
WTPR-033040	372
WTPR-033050	472
WTPR-033070	672



Choose your set up
easily and quickly.



**WITH QUADROPLAN PLUS YOU CAN CREATE, PRINT AND SEND YOUR SET UP DIRECTLY TO ETA
FOR A PERSONALISED COST ESTIMATE.**

Completely free of charge.

Simple, intuitive use.

You can have an immediate idea of the price list for the set up you want.

You will be sent a list with all the necessary parts.

Available immediately in English or in Italian... other languages are coming soon!

**Once you have completed the set up, one of our sales employees
can contact you for a personalised offer, if you want.**

What are you waiting for? Try it now!



PC

e NUX

PC SOLUTIONS

FEATURES

ETA offer for PC solutions includes PC enclosures with sliding shelf on E NUX structure, assembled or in flat-pack version, with a modular front based on your specific requirements.

METHOD OF CONFIGURATION

STEP 1

Select MOUNTED or KIT version

STEP 2

For the KIT version, make up the structure:

- roof + base
- front structural uprights
- rear blank door + structural uprights

STEP 3

For the KIT version, complete the PC front with:

- transparent upper door *or*
blank upper door *or*
screwed blank upper panel
- pull-out drawer *or*
blank panel
- hinged lower blank door



CHARACTERISTICS

The PC cabinet with Pull-out Keyboard is available assembled or in flat-pack version.

ASSEMBLED VERSION

E NUX cabinet structure complete with high-strength low-alloy sheet steel uprights and bottom, roof and rear panel manufactured from sheet steel.

The front section is composed by:

- plexi upper door for monitor vision
- pull-out Keyboard with tilting front, complete with adjustable mouse pad
- sealed section to separate keyboard compartment/ enclosure, complete with: cable gland for keyboard and mouse, bi-adhesive tape for keyboard installation and monitor support
- lower blank front door.

FLAT-PACK VERSION

A pair of high-strength low-alloy sheet steel front uprights. Roof manufactured from sheet steel and high-strength low-alloy sheet steel bottom.

The front section is composed by:

- upper plexi door for monitor vision, upper screwed blank panel or upper hinged blank door.
- pull-out Keyboard or blank panel
- lower hinged blank door.

PAINT FINISH

ETA standard finishing cycle: paint-based primer with deposition by cataphoresis with epoxy resin and finishing using thermosetting powders:

- structure: colour RAL 7035 smooth finish
- PC front and rear door: colour RAL 7035 textured finish
- roof: colour RAL 5020 textured finish.



PROTECTION RATING

IP55.



RAL 7035



RAL 5020



Side panels EUFI, see page 58



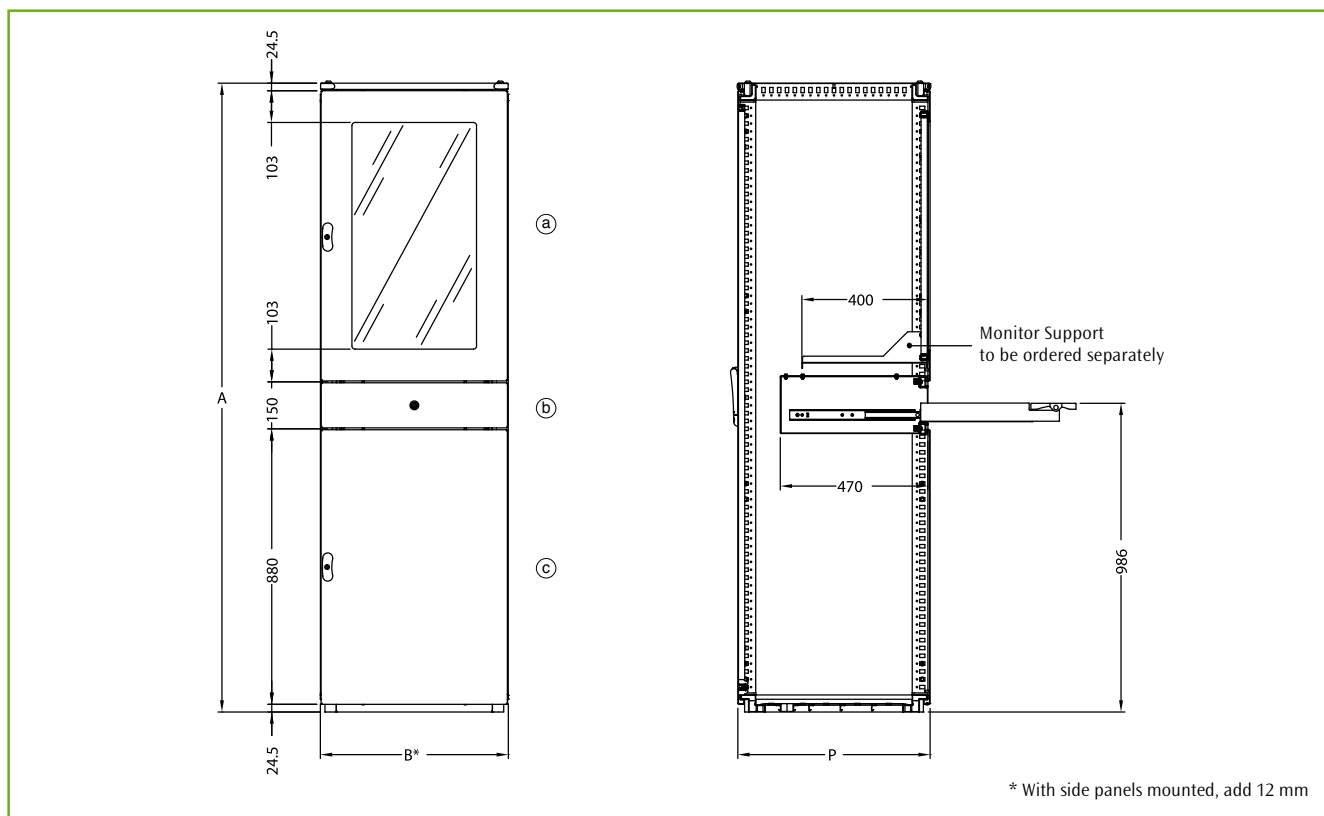
EUZE modular plinth, see page 62

MONITOR SUPPORT WTPU000600

To be ordered separately.

MOUSE SURFACE FOR PULL-OUT DRAWER EUPC-RM001

Spare part article.



PC

DIMENSIONAL SPECIFICATIONS

DIMENSIONS			CABINET DIMENSIONS		
WIDTH	HEIGHT	DEPTH	B*	A	P
600	1800	600	600	1809	614
600	1800	800	600	1809	814
600	2000	600	600	2009	614
600	2000	800	600	2009	814

CODES FOR ASSEMBLED PC ENCLOSURE WITH SLIDING SHELF

DIMENSIONS			E NUX
WIDTH	HEIGHT	DEPTH	CODE
600	1800	600	EUPC061806CEC
600	1800	800	EUPC061808CEC
600	2000	600	EUPC062006CEC
600	2000	800	EUPC062008CEC

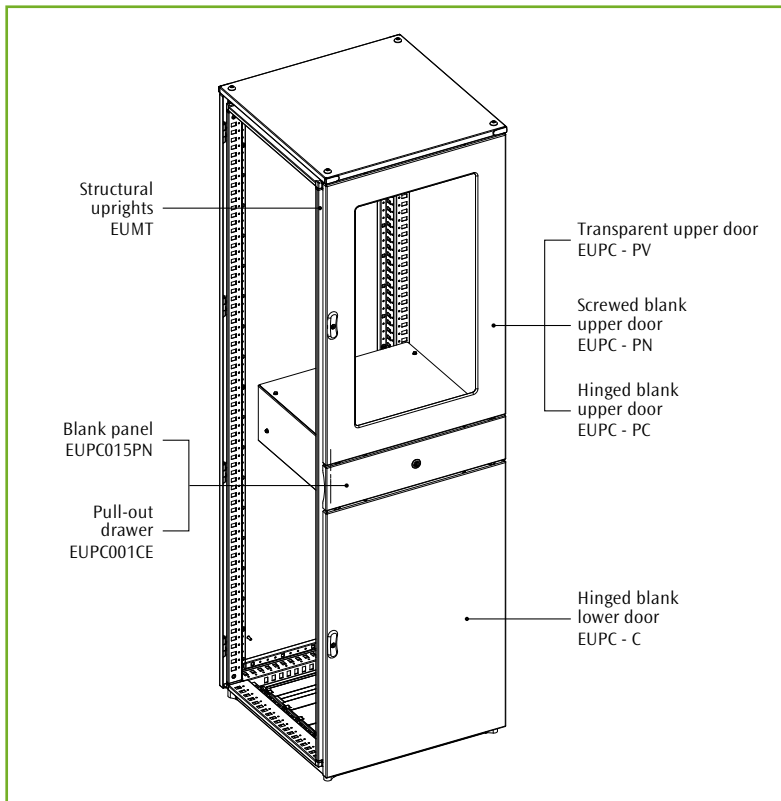
CODES FOR FLAT-PACK ENCLOSURE WITH SLIDING SHELF

DIMENSIONS			CABINET STRUCTURE			FRONT PC COMPOSITION OPTIONS			
WIDTH	HEIGHT	DEPTH	TOP + BOTTOM	FRONTAL UPRIGHTS	REAR BLANK DOOR + UPRIGHTS	UPPER PLEXI DOOR (A)	UPPER BLANK DOOR (A)	KEYBOARD (B)	BLANK PANEL (C)
600	1800	600	EUTF060060	EUMT001800	EUP0060180	EUPC180PV	EUPC180PC	EUPC001CE	EUPC180PN
600	1800	800	EUTF060080	EUMT001800	EUP0060180	EUPC180PV	EUPC180PC	EUPC001CE	EUPC180PN
600	2000	600	EUTF060060	EUMT002000	EUP0060200	EUPC200PV	EUPC200PC	EUPC001CE	EUPC200PN
600	2000	800	EUTF060080	EUMT002000	EUP0060200	EUPC200PV	EUPC200PC	EUPC001CE	EUPC200PN

Other options are available as alternative solutions for the upper, central and lower part of the front.

Side panels EUFI to be ordered separately (see pag. 58).

H=1600 available on request.



STRUCTURAL UPRIGHTS EUMT

CHARACTERISTICS

Manufactured from high-strength low-alloy sheet steel.

PAINT FINISH

ETA standard finishing cycle: paint-based primer with deposition by cataphoresis with epoxy resin and finishing using thermosetting powders. Colour: RAL 7035 smooth finish.



SUPPLY

Includes 2 pieces.

STRUCTURAL UPRIGHTS

EUMT CODE	CABINET HEIGHT
EUMT001800	1800
EUMT002000	2000

To be ordered for the flat-pack version. To complete the configuration, you have to add the codes for the blank door EUPO (see page 135) and the codes for the roof/bottom EUTF (see page 135).

UPPER PLEXI DOOR EUPC - PV

CHARACTERISTICS

Manufactured from sheet steel with plexi.

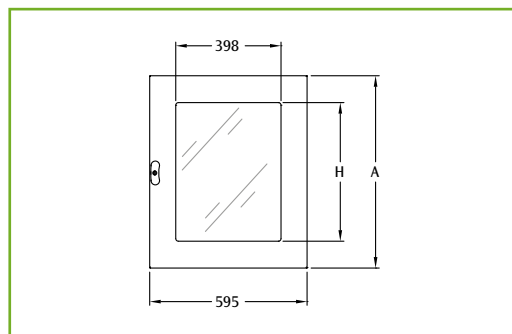
PAINT FINISH

ETA standard finishing cycle: paint-based primer with deposition by cataphoresis with epoxy resin and finishing using thermosetting powders. Colour: RAL 7035 textured finish.



SUPPLY

Door with internal mounting profile, hinges and mounting accessories.



UPPER PLEXI DOOR

EUPC CODE	CABINET HEIGHT	A	H
EUPC180PV	1800	727	524
EUPC200PV	2000	927	724

UPPER SCREWED BLANK PANEL EUPC - PN

CHARACTERISTICS

Manufactured from sheet steel.

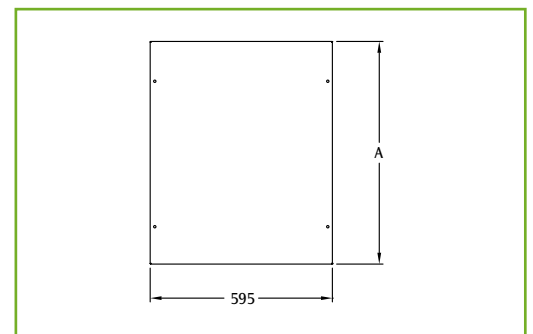
PAINT FINISH

ETA standard finishing cycle: paint-based primer with deposition by cataphoresis with epoxy resin and finishing using thermosetting powders. Colour: RAL 7035 textured finish.



SUPPLY

Panel with internal mounting profile and mounting accessories.



UPPER SCREWED BLANK PANEL

EUPC CODE	CABINET HEIGHT	A
EUPC180PN	1800	727
EUPC200PN	2000	927

BLANK PANEL EUPC015PN

CHARACTERISTICS

Manufactured from sheet steel.

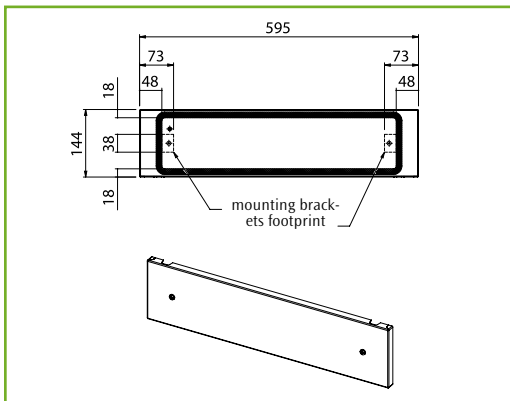
PAINT FINISH

ETA standard finishing cycle: paint-based primer with deposition by cataphoresis with epoxy resin and finishing using thermosetting powders: Colour: RAL 7035 textured finish.



SUPPLY

Blank panel with mounting accessories.



PULL-OUT KEYBOARD EUPC001CE

CHARACTERISTICS

Manufactured from sheet steel.

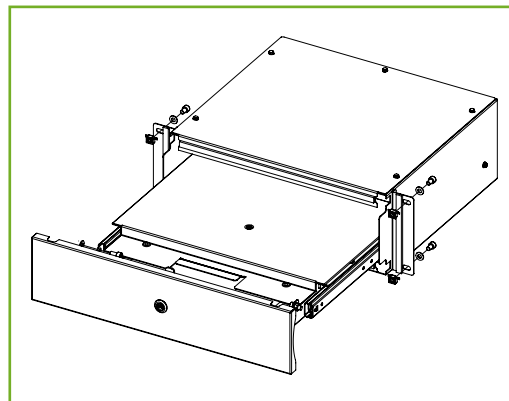
PAINT FINISH

ETA standard finishing cycle: paint-based primer with deposition by cataphoresis with epoxy resin and finishing using thermosetting powders: Colour: RAL 7035 textured finish.



SUPPLY

Keyboard shelf with tilting front, complete with adjustable mouse pad and double bar central closure.



PC

UPPER HINGED BLANK DOOR EUPC - PC

CHARACTERISTICS

Manufactured from 2.0 mm thick sheet steel.

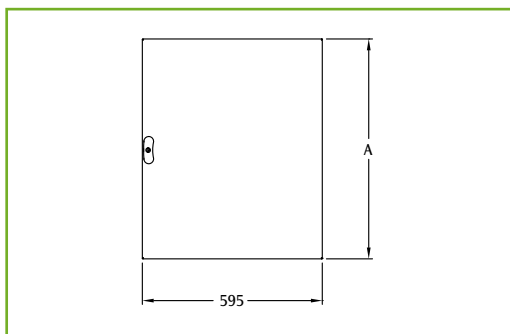
PAINT FINISH

ETA standard finishing cycle: paint-based primer with deposition by cataphoresis with epoxy resin and finishing using thermosetting powders. Colour: RAL 7035 textured finish.



SUPPLY

Door with internal mounting profile, hinges and mounting accessories.



LOWER HINGED BLANK DOOR EUPC - C

CHARACTERISTICS

Manufactured from 2.0 mm thick sheet steel.

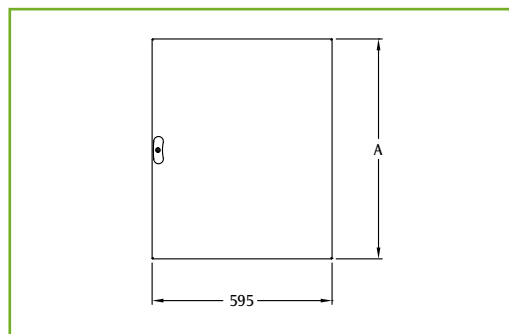
PAINT FINISH

ETA standard finishing cycle: paint-based primer with deposition by cataphoresis with epoxy resin and finishing using thermosetting powders. Colour: RAL 7035 textured finish.



SUPPLY

Door with internal mounting profile, hinges and mounting accessories.



UPPER HINGED BLANK DOOR

EUPC CODE	CABINET HEIGHT	A
EUPC180PC	1800	727
EUPC200PC	2000	927

LOWER HINGED BLANK DOOR

EUPC CODE	CABINET HEIGHT	A
EUPC180C	1800	877
EUPC200C	2000	877

SLIDING SHELF WTRS000600

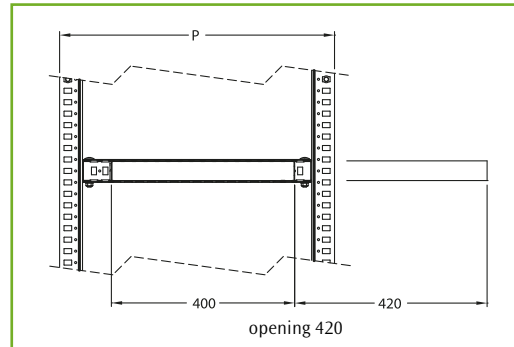
CHARACTERISTICS

Manufactured from sheet steel. Maximum capacity 50 kgs.

SUPPLY

Single piece with sliding rails.

Mounting profiles WTPR (2 pieces for each package) and mounting kit WTSF-001CP to be ordered separately.



MOUNTING PROFILES FOR WTRS

WTPR CODE	CABINET DEPTH
WTPR-050040CP	400
WTPR-050050CP	500
WTPR-050060CP	600
WTPR-050080CP	800

MONITOR SUPPORT WTPU000600

CHARACTERISTICS

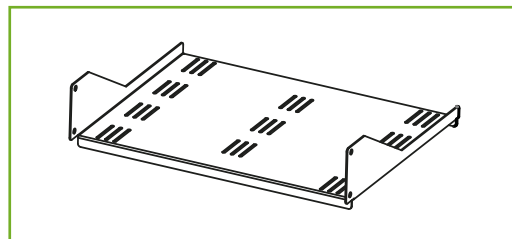
Manufactured from sheet steel.

PAINT FINISH

ETA standard finishing cycle: paint-based primer with deposition by cataphoresis with epoxy resin and finishing using thermosetting powders. Colour: RAL 7035 textured finish.

SUPPLY

Support complete with mounting accessories.



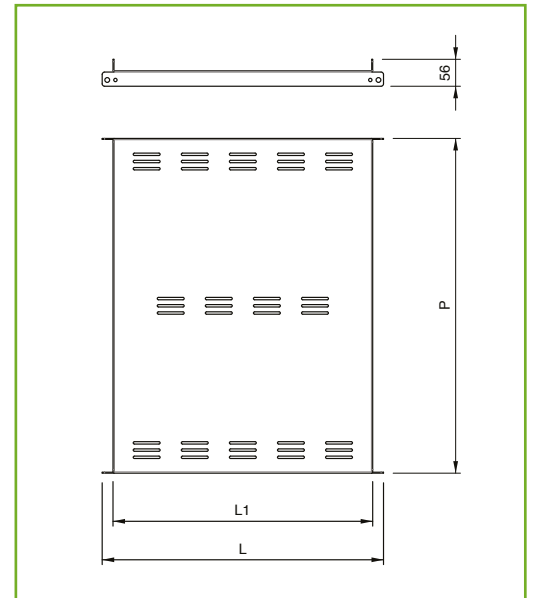
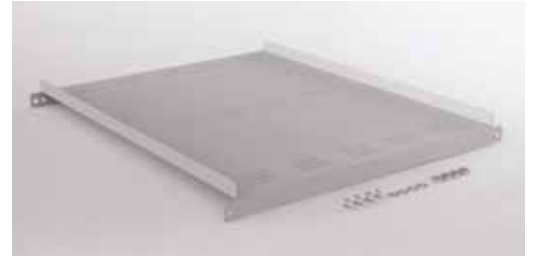
FIXED SHELF WTRP

CHARACTERISTICS

Manufactured from sheet steel.

SUPPLY

Single piece with mounting accessories.



FIXED SHELF

WTRP CODE	CABINET WIDTH	CABINET PROF.	L	L1	P
WTRP060050		500			396
WTRP060060	600	600	585	540	496
WTRP060080		800			696

WHEEL WTRU-001

High quality polyamide wheel. Load capacity 120 kgs for each wheel.

SUPPLY

Includes 4 pcs. (2 wheels with brake, 2 rotating wheels).





Rack 19"

E NUX RACK 19" AND NETWORKING SOLUTIONS

FEATURES AND BENEFITS

In full respect of the sustainability and compatibility philosophy, the system of suite cabinets E NUX can be integrated with a range of specific accessories for each solution.

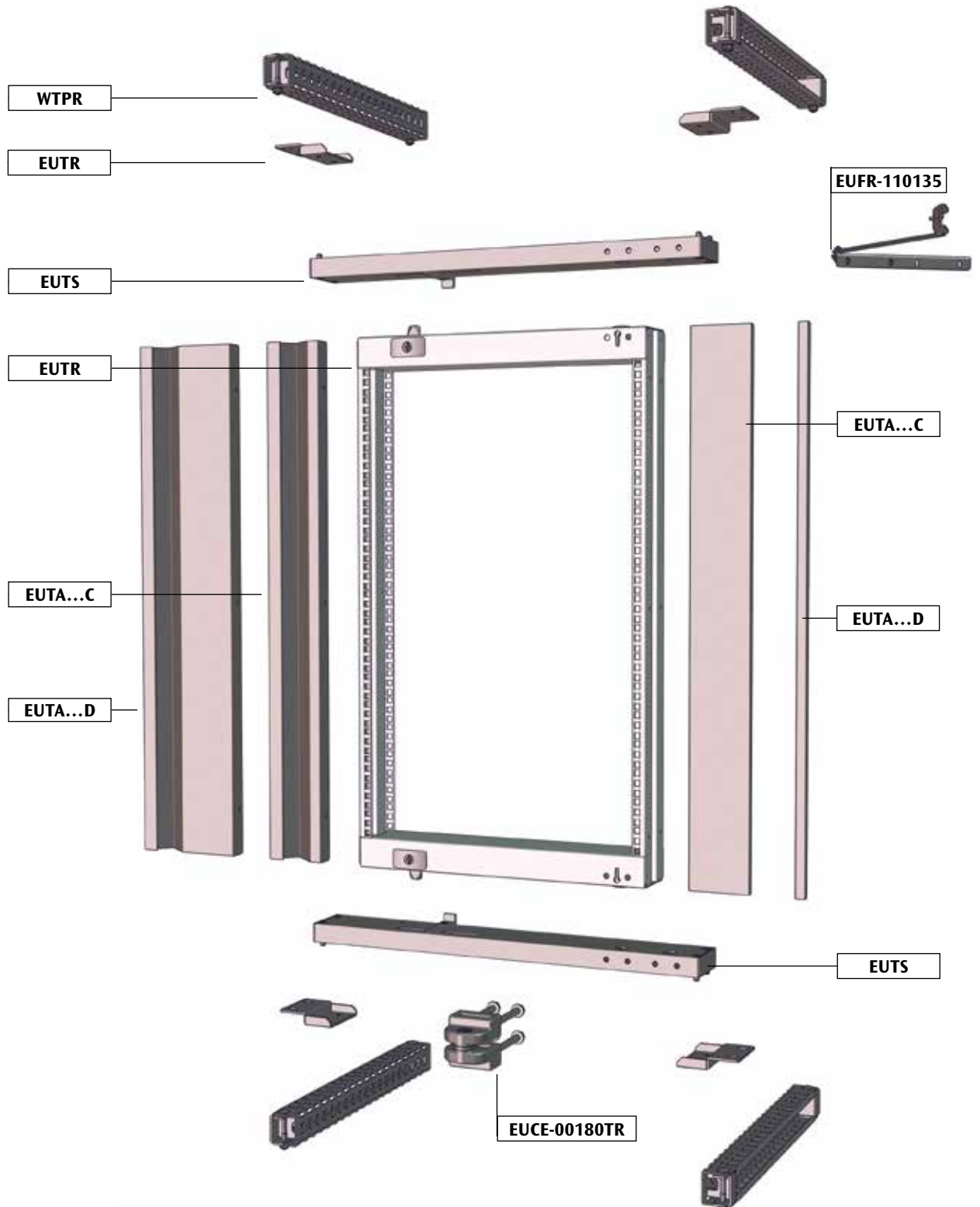
In certain applications, the wide range of 19" components, totally compatible with E NUX, represents the necessary completion of the cabinets:

- full or partial height 19" rack frames with modular concept
- 19" rack uprights
- rack frames
- fixed or removable shelves
- solid or punched 19" rack panels
- accessories for ventilation
- PDU and further accessories

Rack boxes available.

EFFECTIVE, EASY-TO-INSTALL, STRONG

An innovative system consisting in frame, two horizontal rails and trim panels supplied according to the selected assembly: a modular concept to grant flexibility and a wide range of options.



Rack 19"

- Higher structural stiffness

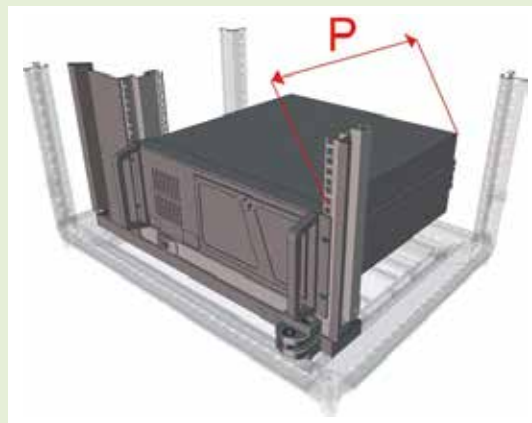
HINGES	LOAD CAPACITY (*)
110°	1700 N
180°	1400 N

* Load capacity for single cabinet. For cabinets joined in a suite, the load capacity can be increased by 60%

- Higher resistance to dynamic stress
- Easy to assemble
- No adjustments needed

- Deeper equipment can be installed

KIND OF RACK FRAME		MAX DEPTH OF THE EQUIPMENT 19"mm	
		W=600	W=800
CENTERED	110°	185	370
CENTERED	110°	-	485
NOT CENTERED	180°	-	300
NOT CENTERED	180°	-	415



- Rotating system thanks to the new interchangeable 110° and 180° hinges
- 110° available for W=800mm too
- Partial frames with standard WTPR rails
- Solutions for special applications available (i.e. W=1200mm)
- It can be assembled with dividing panels and EU-KU-003 reinforcing brackets
- Rack stop options (90°, 110°, 135°) for top/bottom assembly

Rack 19"

STEP 1 **Select HE and corresponding rack frame**

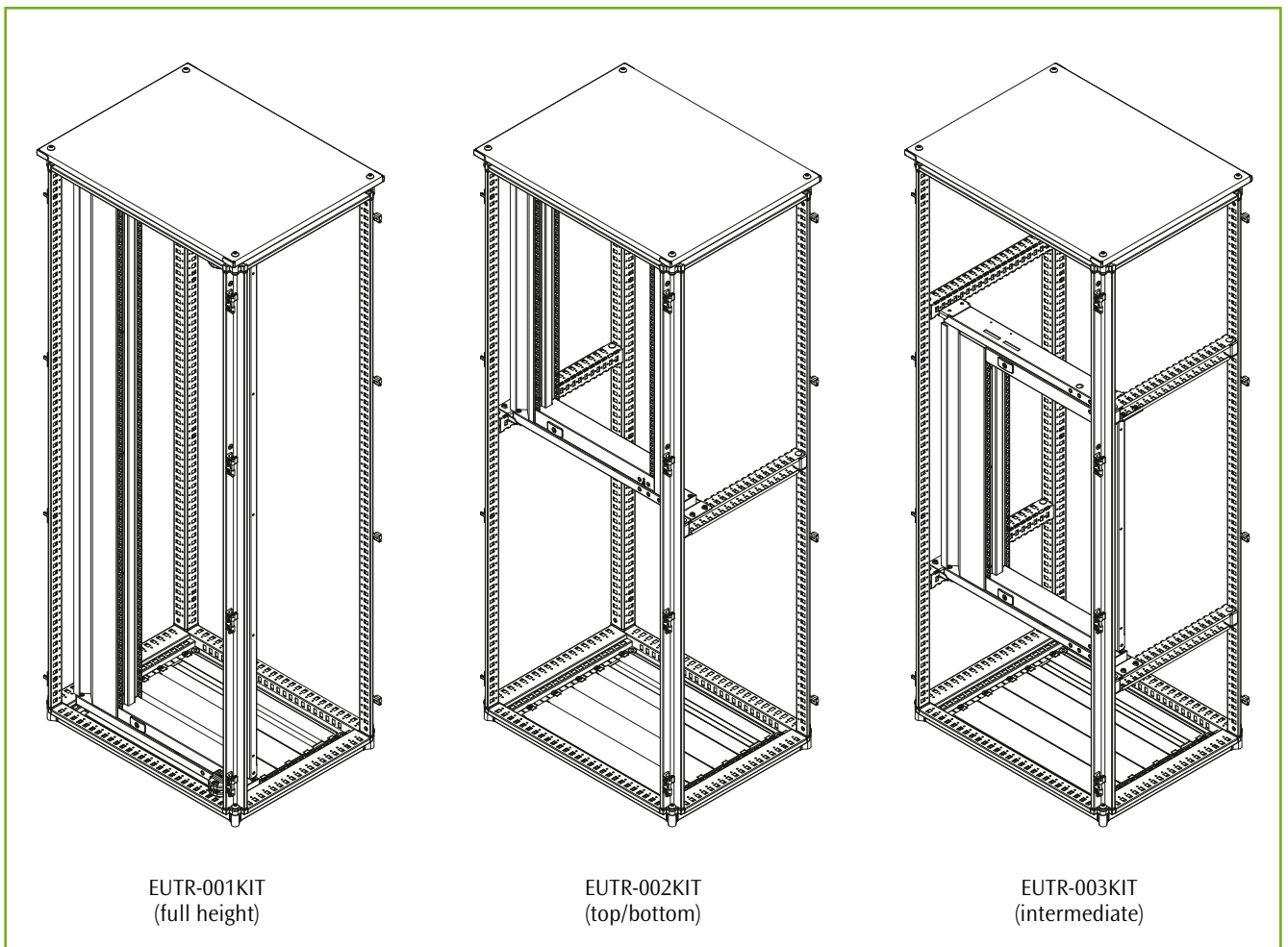
STEP 2 **Choose the cabinet width and complete the frame with horizontal rails**

STEP 3 **Select the position (centered or not) corresponding to the cabinet height and add the side trim panels**

STEP 4 **Choose the assembly (full height, top/bottom, intermediate) and complete with the corresponding mounting kit**

STEP 5 **Complete the configuration with further accessories**

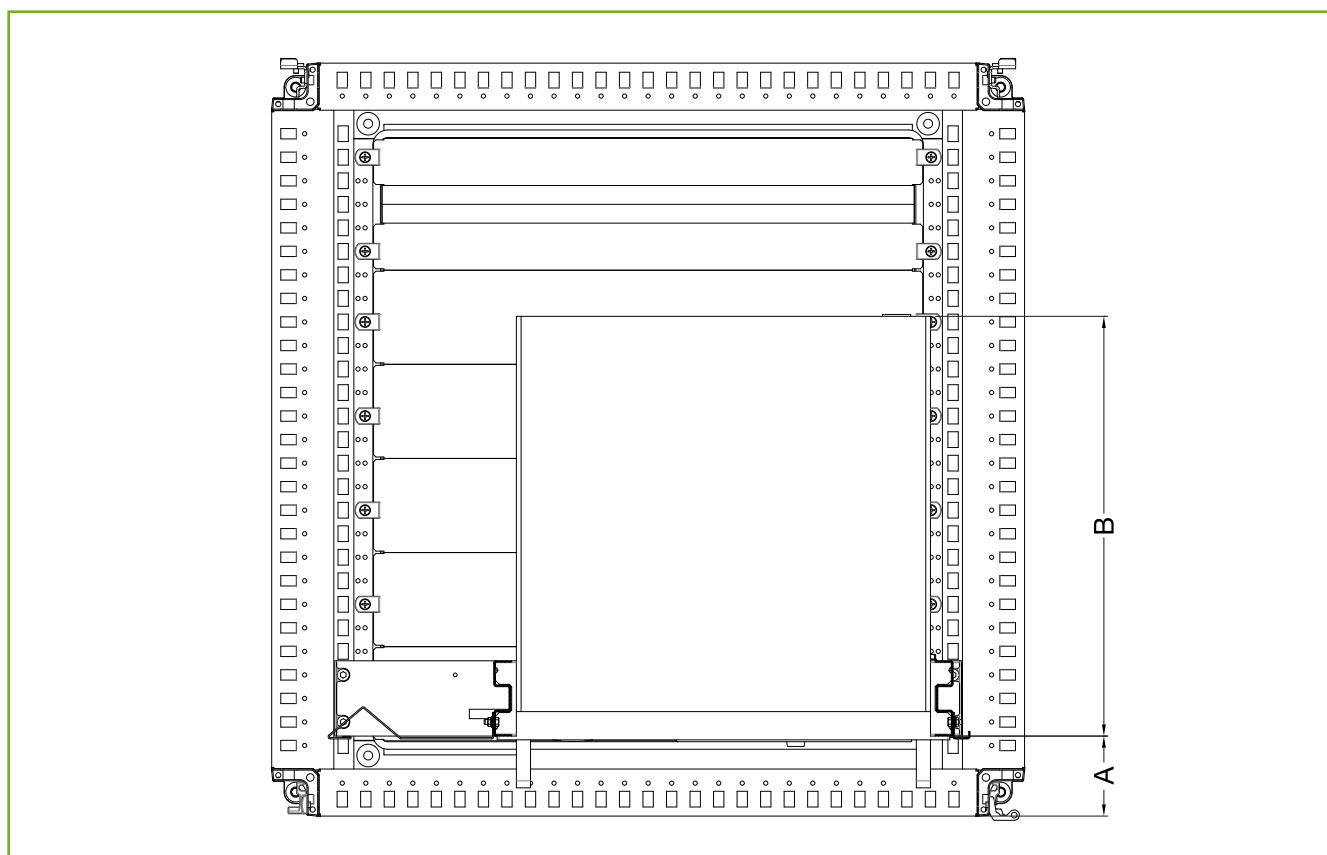
Rack 19"



H CABINET	H FRAME	HE	RACK FRAME CODE			
400	255	4	EUTR0004			
600	455	8	EUTR0008			
800	655	13	EUTR0013			
1000	855	17	EUTR0017			
1200	1055	22	EUTR0022			
1400	1255	26	EUTR0026			
1600	1455	31	EUTR0031			
1800	1655	35	EUTR0035			
2000	1855	40	EUTR0040			
2200	2055	44	EUTR0044			
CABINET WIDTH (mm)		600	800			
Horizontal fixing rails		EUTS000600	EUTS000800			
POSITION		Centered	Centered	Not centered		
Side trim panels		Not needed	EUTA...C		EUTA...D	
ASSEMBLY						
Full height		EUTR-001KIT				
Top/bottom		EUTR-002KIT + Nr. 1 x WTPR-.....CP according to cabinet depth + WTSF-001CP				
Intermediate		EUTR-003KIT + Nr. 1 x WTPR-..... according to cabinet depth + WTSF-001				
HINGES		110°	110°	180°	110°	180°
Code		-	-	EUCE-00180TR	-	EUCE-00180TR
A min. mm		85	85	85	85	85
B max. mm		185	370	300	485	415
LOADING CAPACITY N (*)		1700	1700	1400	1700	1400
FURTHER ACCESSORIES		Rack-stop 110°/135° EUFR-110135				

Rack 19"

(*) For cabinets joined in a suite, the loading capacity can be increased by 60%



STEP 1

Select HE and corresponding rack frame

SWINGING RACK FRAME EUTR

CHARACTERISTICS

Rack frame manufactured from welded mild steel rails and horizontal profiles.

PAINT FINISH

ETA standard finishing cycle: paint-based primer with deposition by cataphoresis with epoxy resin and finishing using thermosetting powders. Colour: RAL 7035 textured finish.

SUPPLY

- rack frame complete with Ø 3mm double bar locking system
- 110° rotating hinges complete with accessories
- closing latches.



SWINGING RACK FRAME		
EUTR CODE	HE	CABINET HEIGHT
EUTR0004	4	400
EUTR0008	8	600
EUTR0013	13	800
EUTR0017	17	1000
EUTR0022	22	1200
EUTR0026	26	1400
EUTR0031	31	1600
EUTR0035	35	1800
EUTR0040	40	2000
EUTR0044	44	2200

Rack frame 110° opening. For 180° opening, please add hinges EUCE-00180TR

For special painted cabinets, please add N to the code (i.e. EUTR004N).

STEP 2

Rack 19"

Choose the cabinet width and complete the frame with horizontal rails

HORIZONTAL FIXING RAILS FOR RACK FRAME EUTS

CHARACTERISTICS

Horizontal fixing rails manufactured from sheet steel.

PAINT FINISH

ETA standard finishing cycle: paint-based primer with deposition by cataphoresis with epoxy resin and finishing using thermosetting powders. Colour: RAL 7035 textured finish.

SUPPLY

Includes nr. 2 pieces with mounting accessories.



HORIZONTAL FIXING RAILS	
EUTS CODE	CABINET WIDTH
EUTS000600	600
EUTS000800	800

Further dimensions available on request. I.e. for cabinet W=1200, you can order rack frame W=600+600 or rack frame W=800 not centered.

For special painted cabinets, please add N to the code (i.e. EUTS000600N).

STEP 3

Select the position (centered or not) corresponding to the cabinet height and add the side trim panels

SIDE TRIM PANEL FOR RACK FRAME EUTA

CHARACTERISTICS

Side trim panels (one for hinge side and one for locking system side) manufactured from sheet steel. Valid for W=800mm.

PAINT FINISH

ETA standard finishing cycle: paint-based primer with deposition by cataphoresis with epoxy resin and finishing using thermosetting powders. Colour: RAL 7035 textured finish.

SUPPLY

Includes nr. 2 pieces with mounting accessories.



SIDE TRIM PANELS		
EUTA CODE	POSITION	CABINET HEIGHT
EUTA0004C	CENTERED	400
EUTA0008C	CENTERED	600
EUTA0013C	CENTERED	800
EUTA0017C	CENTERED	1000
EUTA0022C	CENTERED	1200
EUTA0026C	CENTERED	1400
EUTA0031C	CENTERED	1600
EUTA0035C	CENTERED	1800
EUTA0040C	CENTERED	2000
EUTA0044C	CENTERED	2200
EUTA0004D	NOT CENTERED	400
EUTA0008D	NOT CENTERED	600
EUTA0013D	NOT CENTERED	800
EUTA0017D	NOT CENTERED	1000
EUTA0022D	NOT CENTERED	1200
EUTA0026D	NOT CENTERED	1400
EUTA0031D	NOT CENTERED	1600
EUTA0035D	NOT CENTERED	1800
EUTA0040D	NOT CENTERED	2000
EUTA0044D	NOT CENTERED	2200

STEP 4

Choose the assembly (full height, top/bottom, intermediate) and complete with the corresponding mounting kit

MOUNTING KIT FOR RACK FRAME EUTR

CHARACTERISTICS

Different mounting kit according to the selected position of rack frame (top/bottom or intermediate position).

SUPPLY

Includes nr. 2 brackets, nr. 2 supports and closing latches complete with mounting accessories.

MOUNTING KIT FOR RACK FRAME

CODE	ASSEMBLY	ADDITIONAL ACCESSORIES
EUTR-001KIT	FULL HEIGHT	----
EUTR-002KIT	TOP / BOTTOM	Nr. 1 x WTPR-.....CP according to cabinet depth + WTSF-001CP
EUTR-003KIT	INTERMEDIATE	Nr. 1 x WTPR-..... according to cabinet depth + WTSF-001

For special painted cabinets, please add N to the code (i.e. EUTR-...KITN).

STEP 5

Complete the configuration with further accessories

180° HINGES EUCE-00180TR

180° opening hinges for rack frames EUTR.

CHARACTERISTICS

Manufactured from pressed zama.

SUPPLY

Includes nr. 2 pieces.

For hinges in RAL9011 for special painted cabinets, please add N to the code (i.e. EUCE-00180TRN).



Rack 19"

FIXED FRAME EUCR

CHARACTERISTICS

Manufactured from sheet steel. To be used to mount rack equipment.

PAINT FINISH

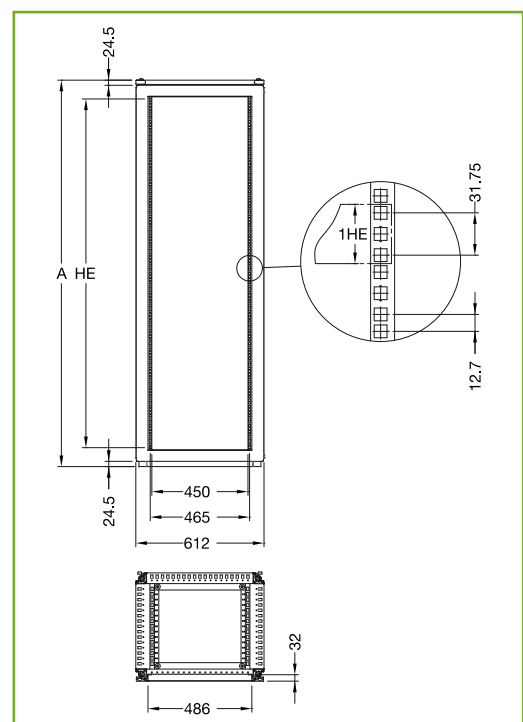
ETA standard finishing cycle: paint-based primer with deposition by cataphoresis with epoxy resin and finishing using thermosetting powders. Colour: RAL 7035 textured finish.

SUPPLY

Includes 1 piece complete with cabinet uprights and mounting accessories.



FIXED FRAME			
EUCR CODE	DIMENSIONS		
	A	H	HE
EUCR028060	1409	1252	28
EUCR032060	1609	1429	32
EUCR037060	1809	1652	37
EUCR041060	2009	1829	41
EUCR046060	2209	2052	46





19" RAILS AEMK

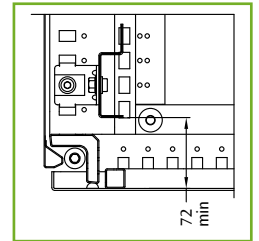
Designed for assembling 19" items or modular equipment on DIN rails.

CHARACTERISTICS

Manufactured from zinc sheet steel.

SUPPLY

Includes nr. 2 pieces.



19" RAILS"	
AEMK CODE	HE
AEMK241200	24
AEMK291400	29
AEMK331600	33
AEMK381800	38
AEMK422000	42
AEMK472200	47

For assembly, add the following:

AEP0070
for L=600 cabinets

AEP0094-95-96-97
for L=800 cabinets

Rack 19"



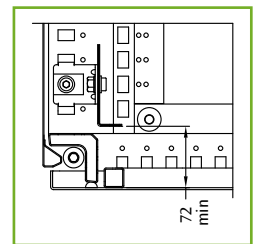
"L" RAILS AERL

CHARACTERISTICS

Manufactured from zinc sheet steel.

SUPPLY

Includes nr. 2 pieces.



"L" RAILS AERL	
AERL CODE	CABINET HEIGHT
AERL241200	24
AERL291400	29
AERL331600	33
AERL381800	38
AERL422000	42
AERL472200	47

For assembly, add the following:

AEP0070
for L=600 cabinets

AEP0094-95-96-97
for L=800 cabinets



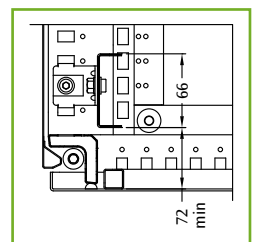
"C" RAILS AERC

CHARACTERISTICS

Manufactured from zinc sheet steel.

SUPPLY

Includes nr. 2 pieces.



"C" RAIL AERC		
AERC CODE	CABINET HEIGHT	HE
AERC241200	1200	24
AERC291400	1400	29
AERC331600	1600	33
AERC381800	1800	38
AERC422000	2000	42
AERC472200	2200	47

For assembly, add the following:

AEP0070
for L=600 cabinets

AEP0094-95-96-97
for L=800 cabinets



DEPTH RAILS

Rails for the mounting of 19" rack uprights on E NUX cabinets W=800 mm. Manufactured from sendzimir sheet steel.



SUPPLY

Includes nr. 4 pieces

DEPTH RAILS	
AEP CODE	DEPTH
AEP0094	600
AEP0095	800
AEP0096	1000
AEP0097	1200



BRACKETS AEP0070

Brackets manufactured from zinc sheet steel, used for the mounting of 19" uprights on cabinets W=600 mm.



SUPPLY

Includes nr. 4 pieces.

Rack 19"



WIDTH RAILS AEP0098

Rails for the mounting of 19" rack uprights (AEMK, AERL, AERC) on E MOX and E VIS cabinets with W=800 mm. Manufactured from sendzimir sheet steel.



SUPPLY

Includes nr. 2 pieces.

 To be ordered separately AEP0070 (nr. 4 pieces) for the assembly of 19" rack rails.

WIDTH RAILS	
AEP CODE	WIDTH
AEP0098	800



FRAME STOP EUFR-110135

It allows the stop of the rack frame at 110°/135° avoiding its accidental closing. To be assembled on top or bottom.



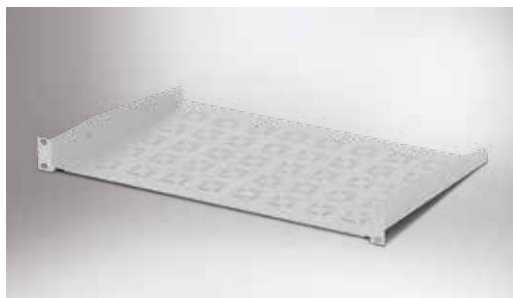
SUPPLY

Includes 1 piece with mounting accessories.



Max loading capacity: 230kg.

Available
BLACK RAL 9011



SHELF FOR FRONTAL FIXING EURI

In addition to the front fixation, this shelf is locked with two other points on the inner side of the 19" profile/rail, to increase the load carrying capacity and the stability. Shelf (2 HE) with ventilation openings. Maximum load carrying capacity: 30 kgs.

CHARACTERISTICS

Manufactured from press bent sheet steel.

PAINT FINISH

ETA standard finishing cycle: paint-based primer with deposition by cataphoresis with epoxy resin and finishing using thermosetting powders. Colour: RAL 7035 textured finish.

SUPPLY

Includes 1 painted piece with mounting accessories.



SHELF FOR FRONTAL FIXING

EURI CODE	SHELF DEPTH
EURI020300	300
EURI020400	400
EURI020500	500
EURI020600	600

Rack 19"

Available
BLACK RAL 9011



FIXED OR SLIDING SHELF EURI

Shelf W=400 mm with ventilation openings manufactured from sheet steel with fixation on four 19" AMK profiles. Fixed shelf: load carrying capacity 70 kgs. Sliding shelf: load carrying capacity 40 kgs.

PAINT FINISH

ETA standard finishing cycle: paint-based primer with deposition by cataphoresis with epoxy resin and finishing using thermosetting powders. Colour: RAL 7035 textured finish.

SUPPLY

Includes 1 piece.

Screws included for fixed-version mounting; for mounting in pull-out version, order the guides separately WTGE.



FIXED OR SLIDING SHELF

EURI CODE	SHELF DEPTH	CABINET DEPTH
EURI000365	365	500
EURI000465	465	600
EURI000565	565	800
EURI000665	665	800
EURI000765	765	1000

SLIDING GUIDES FOR SHELF WTGE

Guides designed for the fixation of the shelf EURI. Load carrying capacity 40 kgs.

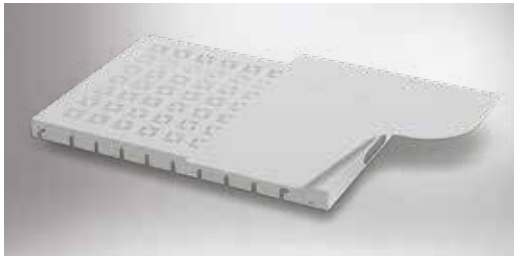
SUPPLY

Includes 2 pieces with fixing accessories (to the cabinet) and mounting accessories of the shelf.



SLIDING GUIDES FOR SHELF

WTGE CODE	SHELF DEPTH	CABINET DEPTH
WTGE-000365	365	600
WTGE-000465	465	600
WTGE-000565	565	800
WTGE-000665	665	800
WTGE-000765	765	1000



EXTENSIBLE SHELF WITH ROTARY SURFACE EURI000500SM

D = 565 mm extensible shelf and rotary surface with mouse pad.

CHARACTERISTICS

Manufactured from press bent sheet steel.

PAINT FINISH

ETA standard finishing cycle: paint-based primer with deposition by cataphoresis with epoxy resin and finishing using thermosetting powders. Colour: RAL 7035 textured finish.



Available
BLACK RAL 9011

SUPPLY

Includes 1 piece complete with mounting accessories.



Available
BLACK RAL 9011



Available
BLACK RAL 9011



Available
BLACK RAL 9011

BLANK CLOSING TRIM PANELS

Used to divide the cold and hot airflow inside the cabinet.

BLANK CLOSING PANELS

CODE SCREWED VERSION EUP	CODE HINGED VERSION EUP	HE
EUP0080	EUP0130	24
EUP0081	EUP0131	29
EUP0082	EUP0132	33
EUP0083	EUP0133	38
EUP0084	EUP0134	42
EUP0085	EUP0135	47

Rack 19"

MULTI-FUNCTION CLOSING PANELS

Multi-functions panels to be completed with the 19" panels available.

CLOSING PANELS WITH CABLE GUIDE RINGS

Panels for cable management already supplied with cable rings.

CLOSING PANELS

CODE MULTI-FUNCTION EUP	CODE WITH GUIDE RINGS EUP	HE
EUP0090	EUP0140	24
EUP0091	EUP0141	29
EUP0092	EUP0142	33
EUP0093	EUP0143	38
EUP0094	EUP0144	42
EUP0095	EUP0145	47

PAINT FINISH

ETA standard finishing cycle: paint-based primer with deposition by cataphoresis with epoxy resin and finishing using thermosetting powders. Colour: RAL 7035 textured finish.



SUPPLY

Includes nr. 2 pieces, for cabinets W=800 mm.

19" PANELS

Manufactured from satinized aluminium or from sheet steel painted in RAL 7035 textured finish.

SUPPLY

Includes 1 piece.

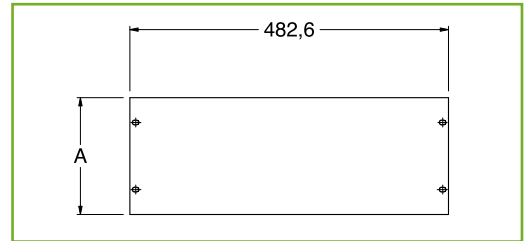
Order separately WT108 (1 cage nut + 1 screw with ring).



Available
BLACK RAL 9011

RACK PANEL

WA CODE	HE	A
WA115LB	1	43,5
WA116LB	2	88
WA117LB	3	132,5
WA118LB	4	177
WA119LB	5	221,5
WA120LB	6	266
WA121LB	7	310,5
WA122LB	8	355
WA123LB	9	399,5
WA124LB	10	444
WA125LB	11	488,5
WA126LB	12	533



Rack 19"

19" FRONT PANEL WITH OPENING WTPF030024

Designed to lodge equipment fixed on DIN rails. Front panel with modular slot that allows to lodge 24 modules, 18 mm in width and 3 units in height.

CHARACTERISTICS

Manufactured from press bent sheet steel.

PAINT FINISH

ETA standard finishing cycle: paint-based primer with deposition by cataphoresis with epoxy resin and finishing using thermosetting powders. Colour: RAL 7035 textured finish.



Available
BLACK RAL 9011

SUPPLY

Includes 1 piece with mounting accessories.

DIN PROFILE FOR PANEL

Designed for the fixing on 19" rails or swinging rack frame.

CHARACTERISTICS

Manufactured from zinc sheet steel.

SUPPLY

Includes 1 piece with mounting accessories.



DIN PROFILE FOR PANEL

CODE	MOUNTING
EUWA-001	19" rail
EUWA-002	Swinging rack frame

SUPPORT BRACKETS WA990B

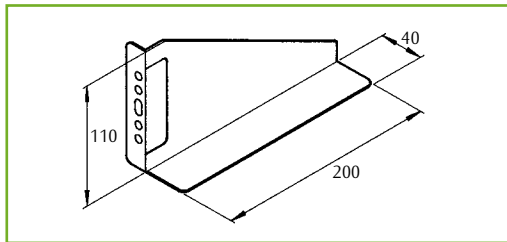
To be assembled on rack frames or “C” rails.

CHARACTERISTICS

Manufactured from press bent sheet steel.

PAINT FINISH

ETA standard finishing cycle: paint-based primer with deposition by cataphoresis with epoxy resin and finishing using thermosetting powders. Colour: RAL 7035 textured finish.



SUPPLY

Includes 2 painted pieces with mounting accessories.

PARTIAL SUPPORT WTSP020200

Designed to support 19” equipment. Compatible with ETA range of rack frames and uprights.

CHARACTERISTICS

Manufactured from press bent sheet steel.

SUPPLY

Includes 2 painted pieces with mounting accessories.



Rack 19”

SUPPORTING GUIDES

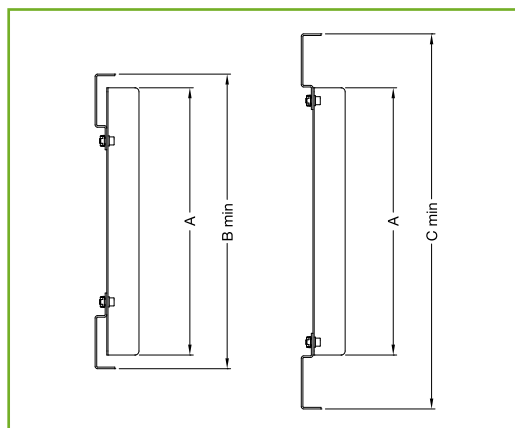
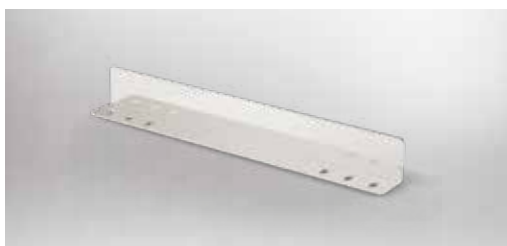
For mounting on EUMK uprights (4pcs).

CHARACTERISTICS

Manufactured from bent sheet steel.

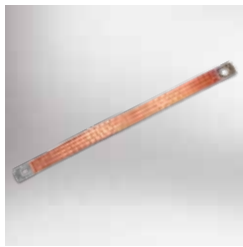
SUPPLY

Includes 2 pieces, with mounting accessories.



SUPPORTING GUIDES

CODE	A	MIN		MAX	
		B	Cabinet Min D	C	Cabinet Min D
AEP0150	232	266	400	366	500
AEP0151	332	366	500	466	600
AEP0152	532	566	800	666	800
AEP0153	732	766	1000	866	1000
AEP0154	932	966	1200	1066	1200



FLEXIBLE COPPER BRAIDS MDCO-TR250

CHARACTERISTICS

For M6 and M8 screws, 250 mm long.

SUPPLY

Includes 10 pieces.



EARTHING COPPER BAR AEP0120

DESCRIPTION

Equipotential copper bar for ground connectors (with isolators) that can be installed along the depth or the width of the cabinet. Manufactured from 20x5 mm copper bars, with M6 threaded holes, 400 mm long.



EARTHING COPPER BAR FOR EQUIPOTENTIAL MEASURES MDSD-CU6X6

Equipotential copper bars for ground connection that can be installed along the depth or the width of the E NUX cabinets.

CHARACTERISTICS

Manufactured from 6x6 copper bar.

SUPPLY

Includes 5 pieces L=2000 mm.

Rack 19"



VENTILATION DRAWER WTDV010500

Designed to incorporate up to 6 fans, to be assembled on 1HE rack (frontal fixing).
Drawer depth=300 mm.

CHARACTERISTICS

Manufactured from press bent sheet steel.

SUPPLY

Includes 1 painted piece (without fans).

Available
BLACK RAL 9011



AXIAL FAN – AEP0249

Suitable for ventilation drawer WTDV010500.
Supplied with grid and cable.
Dimensions 120x120x38 mm
Flow: 165/199 m³/h

SUPPLY

Includes 1 piece

LOW-NOISE FAN – AEP0250

Suitable for ventilation drawer WTDV010500.
Supplied with grid and cable.
Dimensions: 120x120x38 mm
Flow: 122/132 m³/h
Noise level: 37/39dB(A)

SUPPLY

Includes 1 piece



CABLE-ENTRY BRUSH

To be used for an orderly cable entry with dust protection. Special accessory for the cabinet roof. Special application for cable entry plates (to be customized). Assembly using screws.

SUPPLY

Includes 1 piece (length to be determined when ordering).

CABLE-ENTRY BRUSH	
AEP CODE	DIMENSIONS (MM)
AEP0100	600
AEP0101	800



CABLE ENTRY PANEL WITH BRUSH

CHARACTERISTICS

Panel manufactured from bent sheet steel.

SUPPLY

Includes 1 painted piece with mounting accessories.

CABLE ENTRY PANEL WITH BRUSH	
AEP CODE	HE
AEP0040	1
AEP0041	2



PANEL FOR CABLE GUIDE RINGS

CHARACTERISTICS

Manufactured from press bent sheet steel, designed for 5 cable rings.

SUPPLY

Includes 1 painted piece with mounting accessories

PANEL FOR CABLE GUIDE RINGS		
CODE	HE	MATERIAL
AEP0030	1	MILD STEEL

Rack 19"



CABLE GUIDE RINGS WTGC

CHARACTERISTICS

Manufactured from sheet steel painted in RAL9011, with slots on each side, to allow the installation in every positions.

SUPPLY

Includes 10 pieces.

CABLE GUIDE RINGS	
WTGC COE	RING DIMENSIONS (MM)
WTGC-042042	42 x 42
WTGC-042080	42 x 80
WTGC-068096	68 x 96
WTGC-096160	96 x 160



VENTILATION CROSSPIECE FOR EUZE PLINTH

CHARACTERISTICS

Manufactured from press bent sheet steel.

PAINTING

ETA standard finishing cycle: paint-based primer with deposition by cataphoresis with epoxy resin and finishing using thermosetting powders. Colour: RAL 5020 textured finish.

SUPPLY

Includes 2 pieces.



VENTILATION CROSSPIECE FOR EUZE PLINTH	
EUZE CODE	CABINET WIDTH
EUZE-T0600V	600
EUZE-T0800V	800
EUZE-T1000V	1000



VENTILATED DOOR EUPO

Designed to increase heat exchange for the equipment mounted inside the enclosure.*

CHARACTERISTICS

Manufactured from sheet steel, with holes for ventilation and Ø 3mm lever-operated double bar locking system.

PAINTING

ETA standard finishing cycle: paint-based primer with deposition by cataphoresis with epoxy resin and finishing using thermosetting powders. Colour: RAL 7035 textured finish.



PROTECTION RATING

IP2X.

SUPPLY

Door complete with 2 structural uprights and mounting accessories.

VENTILATED DOOR

EUPO CODE	CABINET DIMENSIONS	
	WIDTH	HEIGHT
EUPO060200AV	600	2000
EUPO080200AV	800	2000

* 61.2% flow-through ventilation.

Rack 19"



ROOF VENTILATION SPACERS WLDI-001

CHARACTERISTICS

Hexagonal pin with M12 threaded hole. 40 mm height.

SUPPLY

Includes 4 pieces.



SCREWS AND CAGE BOLTS WA108

CHARACTERISTICS

M6x16 screws with flat countersunk head, complete with under screw edge.

SUPPLY

Includes 20 screws and 20 cage bolts.



COMPLETE RANGE OF PDU

19" PDU E PDU VERTICALI

- Strong structure manufactured from aluminium.
- Output IEC320-C13 and IEC320-C19.
- Protection, management and control devices protected by wrong operations.
- Temperature limit up to 60°C.
- Paint finish: epoxy-polyester powder coating. Colour: RAL 9004.

Available on request:

- Output according to different markets.
- Different cables and input.

19" PDU

- Height 1 HE.
- Depth-adjustable 19" fixing brackets.
- To be mounted on 19" profiles or on cabinet structure
- Multistandard output (Schuko + Italian 10/16Amp) with angle 45°.
- Cable L=3 mt H05VV-F3Gcx1, 5 mm².



VERTICAL PDU

- Vertical mounting.
- 1-phase or 3-phase up to 16/32Amp.
- Cable 1-phase or 3-phase L=5 mt H05VV with output IEC60309.



COMPLETE RANGE OF PDU

DESCRIPTION	PRODUCT CODE	OUTPUT		A	WATT OR INPUT	TECHNICAL FEATURES	L(mm)
		Q.TY	DESCRIPTION				
19" PDU	AEP0520	9	multistandard	16	3500	-	-
	AEP0521	8	multistandard	16	3500	switch indicator lamp	-
	AEP0522	6	multistandard	16	3500	thermal magnetic switch lamp BIP16A	-
	AEP0523	13	multistandard	16	3500	-	-
	AEP0524	13	multistandard	16	3500	switch indicator lamp	-
	AEP0525	12	multistandard	16	3500	thermal magnetic switch lamp BIP16A	-
	AEP0526	9	C13	10	2500	switch indicator lamp	-
	AEP0527	8	C19	16	3500	-	-
	AEP0528	8	multistandard	16	3500	ammeter	-
	AEP0529	8	C13	10	2500	ammeter	-
	AEP0530	8	C19	16	3500	ammeter	-
AEP0531	5	multistandard	16	3500	switch indicator lamp and multistandard pdu controlled with thermostat	-	
VERTICAL PDU	AEP0540	16	C13	16	1-phase 230 Vac	thermal magnetic switch lamp BIP16A + ammeter	1139
		6	C19				
	AEP0541	16	C13	32	1-phase 230 Vac	thermal magnetic switch lamp BIP16A + ammeter	1139
		6	C19				
	AEP0542	24	C13	32	1-phase 230 Vac	thermal magnetic switch lamp BIP16A + ammeter	1582
		9	C19				
	AEP0543	21	C13	32	1-phase 230 Vac	nr. 3 thermal magnetic switch lamp BIP32A + 1 switch indicator lamp + nr. 3 ammeter	1850
9		C19					
3		C19					

Rack 19"



The boxes cover a range from 6 to 21 HE and are available in 2 depths with a large cable entry. The locking system operating from the front of the box guarantees the sealing of the enclosure. The excellent appearance is achieved by external tempered glass and locking cover with eye-catching design.

CHARACTERISTICS

Three sections box manufactured from press bent sheet steel. Door manufactured from sheet steel with external tempered glass complete with closing system Ø 3mm double bar key. Supply includes mounting plate manufactured from sendzimir sheet steel.

PAINT FINISH

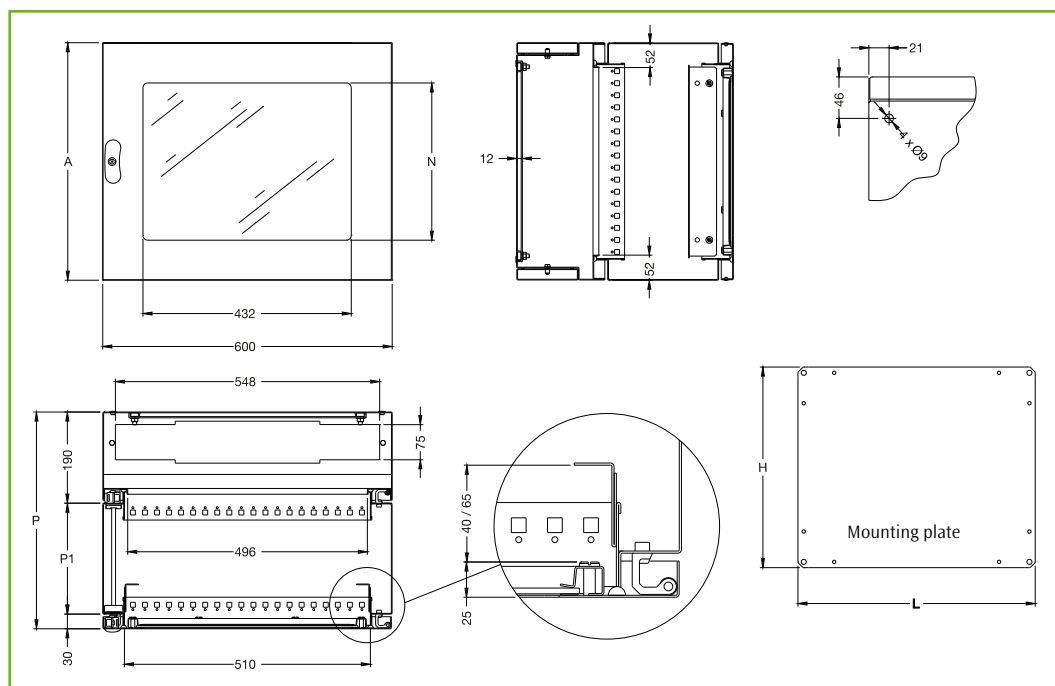
ETA standard finishing cycle: paint-based primer with deposition by cataphoresis with epoxy resin and finishing using thermosetting powders. Colour: RAL 7035 textured finish.



PROTECTION RATING

IP55.

Rack 19"



RACK BOXES

CR CODE	DIMENSIONS			MOUNTING PLATE		HE	N
	A	P	P1	L	H		
CR0645	359	450	230	492	283	6	193
CR0655	359	550	330	492	283	6	193
CR0945	492	450	230	492	416	9	326
CR0955	492	550	330	492	416	9	326
CR1245	626	450	230	492	550	12	460
CR1255	626	550	330	492	550	12	460
CR1545	759	450	230	492	683	15	593
CR1555	759	550	330	492	683	15	593
CR1845	892	450	230	492	816	18	726
CR1855	892	550	330	492	816	18	726
CR2145	1026	450	230	492	950	21	860
CR2155	1026	550	330	492	950	21	860



CHARACTERISTICS AND COMPOSITION

- DC01 sheet steel housing
- Available in solid or perforated version in the lower right and upper left, to install a grill and/or fan
- Reversible sheet steel door with Ø 3 mm double bar locking system and no. 2 welded and painted profiles
- P.A. plate made from sendzimir sheet steel
- Cable entrance closure flange (with polyurethane gasket) made from sheet steel
- Set of screws for grounding and assembly.

PAINT FINISH

ETA standard finishing cycle: paint-based primer with deposition by cataphoresis with epoxy resin and finishing using thermosetting powders. Colour: RAL 7035 textured finish.



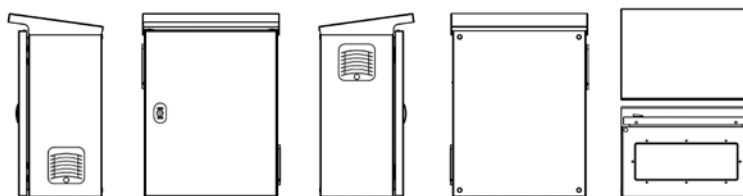
PROTECTION RATING

- IP66 compliant with IEC EN62208 and EN60529 *
- NEMA4 compliant with UL508A; UL50
- Protection rating ensured by the two-component polyurethane foam gasket
- Impact resistance rating IK10 compliant with IEC EN62208; EN62262.

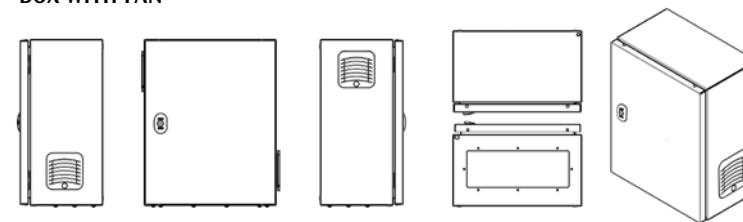
* IP guaranteed for not drilled box.



BOX WITH FAN AND CANOPY



BOX WITH FAN



Boxes

VIDEOSURVEILLANCE BOXES

DIMENSIONS			PRODUCT CODE	
L	H	P	SOLID VERSION	PERFORATED VERSION FOR VENTILATION
300	400	200	EC030420*	EC030420.VS*
400	500	250	EC040525	EC040525.VS
400	600	250	EC040625	EC040625.VS
600	400	300	EC060430	EC060430.VS
600	600	300	EC060630	EC060630.VS

* Canopy not applicable

ACCESSORIES

DESCRIPTION	CATALOG PAGE
ECTT RAIN CANOPY	182
VIRO ECWE0006 LOCKING SYSTEM	179
WTSG010 and WTSV1000220 FAN AND AIR INLET FILTER	329
WI284 and WI286 THERMOSTATS	339 / 340
WI271 and WI274 ANTI-CONDENSATION HEATER	336
MICRO SWITCH ECMC0001	182
POLE MOUNTING KIT ECFP0001	182
WALL MOUNTING BRACKETS ECFS0001	182
DIN RAIL SDWA	191
19" RACK UPRIGHTS ECMR	180
DOOR STOPPER ECWA0001	180
FLANGE INSERTS ECRM	184

ABACUS SYSTEM




ESSE

Cabling solutions
with IP20 protection rating




ESSE

Server solutions
with IP20 protection rating




PRO

Specific solutions
for particularly
harsh applications

**ETA offers a specific line of cabinets,
containers and accessories
dedicated to the world of data centers,
cabling networks,
sharing and security**



A INDUSTRIAL AUTOMATION

- 1** AUTOMOTIVE
- 2** FOOD & BEVERAGE
- 3** PACKAGING
- 4** OIL & GAS
- 5** HANDLING & LOGISTIC
- 6** PHARMA
- 7** WATER & WASTEWATER
- 8** MARINE & OFFSHORE

B DATA NETWORKING

- 1** NETWORKING
- 2** DATA CENTER
- 3** SMART BUILDING

C COMMERCIAL

- 1** MONITORING & SECURITY
- 2** COMMERCIAL BUILDING
- 3** INFRASTRUCTURE
- 4** HVAC

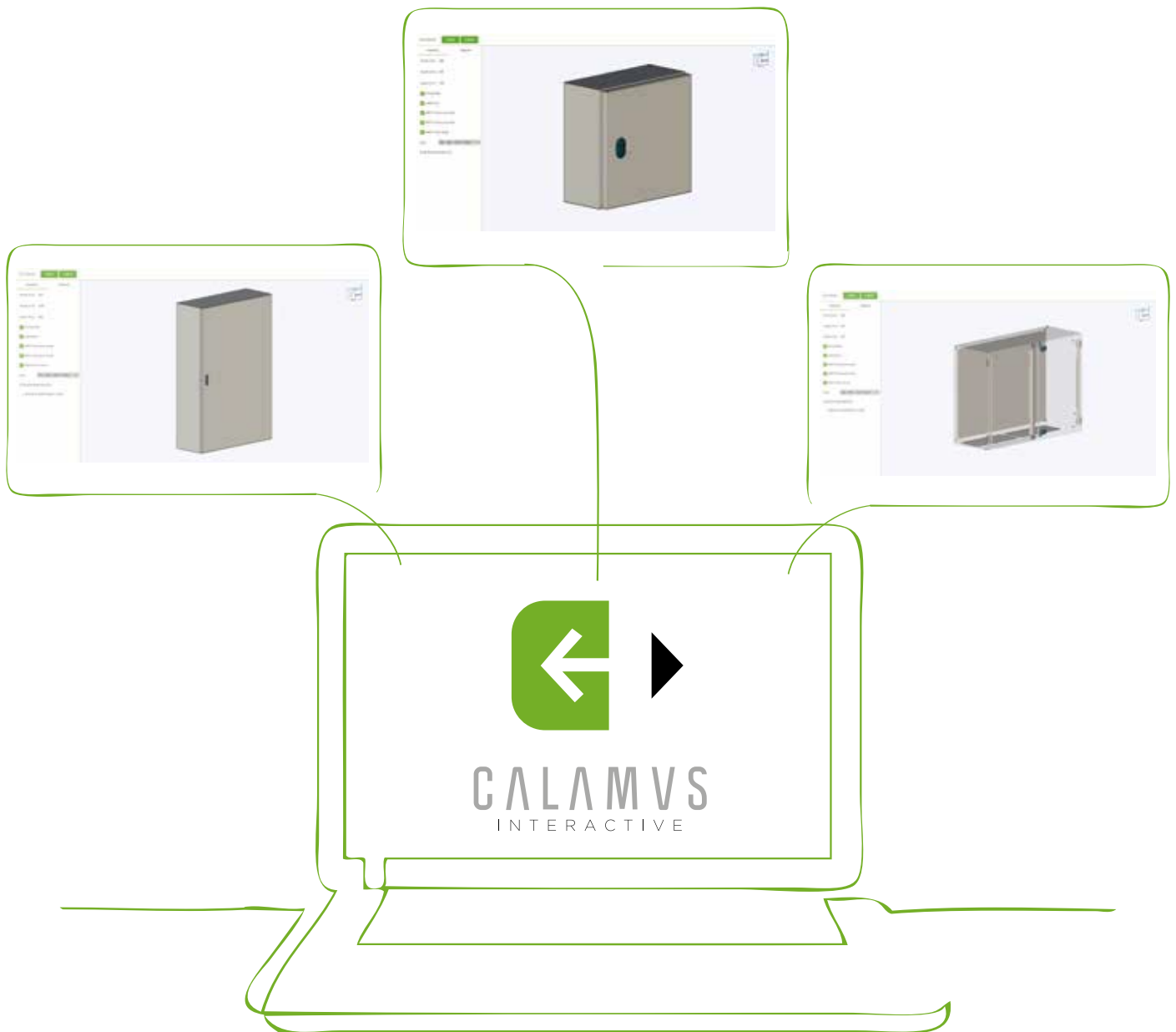
D ENERGY MANAGEMENT

- 1** RENEWABLE
- 2** SMART CITY
- 3** LV DISTRIBUTION
- 4** ENERGY STORAGE

WALL-MOUNTING BOXES E COR AND TERMINAL BOXES SD

A1 A3 A5 A7 C4 D1

E COR WALL-MOUNTING BOXES
E COR WALL-MOUNTING BOXES WITH PLEXI DOOR
E COR COMPLEMENTARY ACCESSORIES
SDV TERMINAL BOXES WITH SCREWED COVER
SDF TERMINAL BOXES WITH FLANGES
SDVX TERMINAL BOXES WITH PLEXI COVER
SDVX-B SYSTEM PLUS TERMINAL BOXES
SDP TERMINAL BOXES WITH DOOR
SD COMPLEMENTARY ACCESSORIES

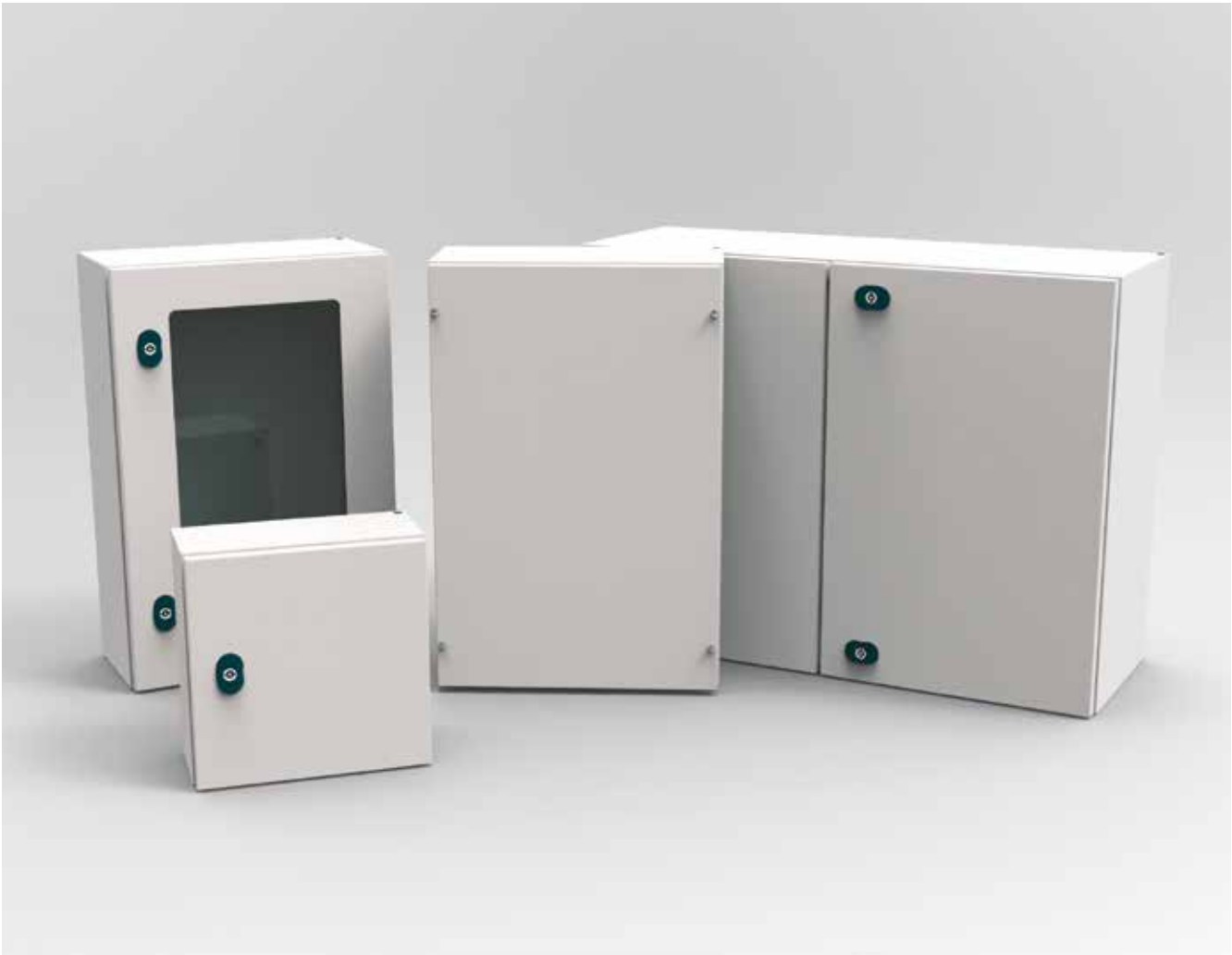


Choose your solution: ETA can produce it

DISCOVER A NEW DIMENSION OF CUSTOMISATION WITH CALAMUS INTERACTIVE - PREVIEW

An online configurator that listens to your needs and communicates with ETA's automated lines, in full compliance with the prerequisites of Industry 4.0. In just a few simple steps, you can select, set up and personalise the E COR enclosure most suitable for your final application (size, machining, accessories, stud bolts and finishing), obtaining our offer and availability in real time. An easy-to-use instrument that is in constant evolution.

You choose what you need... CALAMUS INTERACTIVE will do the rest!



Boxes

e cor AND **sd**
MILD STEEL

BOXES

FEATURES

- 1 Wide range of dimensions: over 40 enclosures with plain door, 19 models with glazed door, enclosures with single plain door, double door with rod locking system and enclosure with single glazed door.
- 2 Mounting plate included.
- 3 Main accessories: plinth, internal door kit and modular chassis, wall-mounting brackets, door stop kit.
- 4 Optional accessories: micro perforated plates, louvered cable entry plates and pole mounting kit.
- 5 Terminal boxes in 5 different versions, with screwed cover, clear cover, for bus system, flanged, with hinged cover.
- 6 Rack enclosures from 3 to 21 units in 450 and 550 mm depths.





INDUSTRY
4.0

TECHNOLOGICAL INNOVATION IS AN ABSOLUTE MUST FOR THE PRODUCTION LINE 4.0

In 2016, ETA Group purchased an abandoned industrial area, and redeveloped it in full compliance with the principles of sustainability, restructuring the building and the entire surrounding area. All this without taking any land away from our wonderful local territory, in the heart of the Lariano Triangle, just a few kilometres from beautiful Lake Como.

In addition to the production line and assembly area dedicated to the ENERPOWER solutions, the production unit in Albavilla (CO), Italy, which was fully completed in 2018, also houses the entire line dedicated to the E COR range, which has been fully integrated and customised for ETA, in keeping with the Industry 4.0 requirements.

A major investment, which stands out thanks to its extraordinary process flexibility and innovative technology. These are the cornerstones of the project, the final goal of which is to offer the customer the possibility of selecting a standard product or a customised product with specific dimensions defined down to the millimetre. The system is not protected by a simple laser barrier, but by the **Barrier of ETA's Knowledge**. It was inspired by Trajan's Column. Symbols representing our arts are depicted on the walls like an epigraph, a modern day endeavour for the future. Because inside there's more than just technology... there's people, knowledge, and the expertise of over 40 years of activity in the Enclosure manufacturing sector.

Tell us about your requirements, and ETA will come up with a solution tailored to meet your needs.

WELDING SYSTEM

MIG welding performed with specific programs for fast welding and weld puddle drop-through.

LASER SYSTEM

Fibre laser with autonomous raw material loading and unloading and processing cycle optimisation.

MACHINERY FOR STUDS WELDING

Semi-finished product handling robot.

BENDING SYSTEM

4-station bending system.

WELDING SYSTEM

Laser welding carried out by two parallel components.

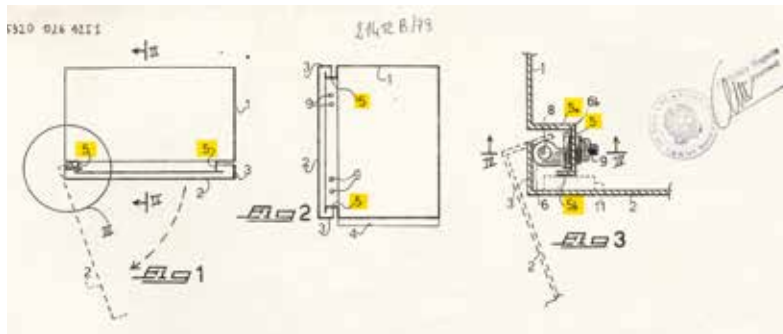


Boxes



Technology is a set of tools, techniques, means and skills that allow us to put a design idea into practice and create a product with certain characteristics. Doing research means selecting the best of many ideas. Sometimes, the best idea is not the most recent, but was thought of some time ago.

THAT'S WHY AN IDEA FROM 1979 COULD, 40 YEARS LATER, STILL BE THE BEST PERFORMING...



The E COR range was originally patented by ETA in 1979, when the enclosure concept included a structured fold of the enclosure and a patented hinge system.

The enclosure has a structured fold with an 80° inclination for greater structural rigidity, which is particularly noticeable on large dimensions.



Boxes

Structured fold of the housing with an 80° inclination for greater rigidity of the fold angle and minimisation of any damage to the polyurethane seal.



Guaranteed higher IP protection (proven by in-house tests and certification bodies).



**SIDE-BY-SIDE MOUNTING
WITH SIMULTANEOUS OPENING
OF THE ADJACENT DOORS**



**INCREASED INTERIOR CAPACITY
THANKS TO THE ADDITIONAL
7 MM IN DEPTH**



**INNOVATIVE SHORT ARC
WELDING TECHNOLOGY
FOR STUD BOLTS**



TRILOBULAR M5 MOUNTING SCREWS

HOUSING



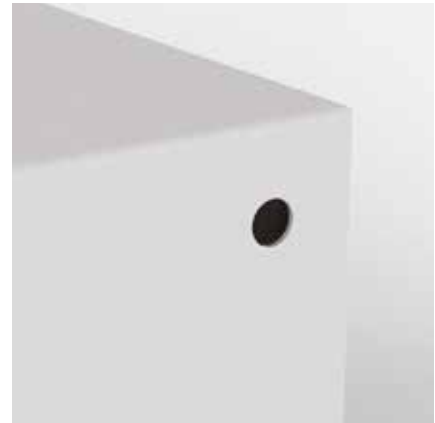
Functional system for installing interior accessories: universal brackets with simple fastening under the hinges.



Universal functional frame for internal door or modular chassis installation.



Wall mounting system with expansion nut and easy fastening from the outside the box.



Boxes



Wiring support, creation of an internal structure and depth adjustment of the accessories at 25 mm intervals thanks to the universal cross-pieces (with front fastening to the universal brackets).



Protective canopy compatible with pole mounting, easy to install thanks to the custom construction concept.

MOUNTING PLATE



Markings (removable with appropriate product) to facilitate wiring.

- Except for: 200x300, 250x300, W ≥ 1000 mm.



Boxes



Rapid Plate installation thanks to the slotted plate design and stud bolts with integrated spacers.

LOCKING SYSTEM



Locking system with quick installation, 1/4 turn and metal insert. Available in standard ocean blue or black.



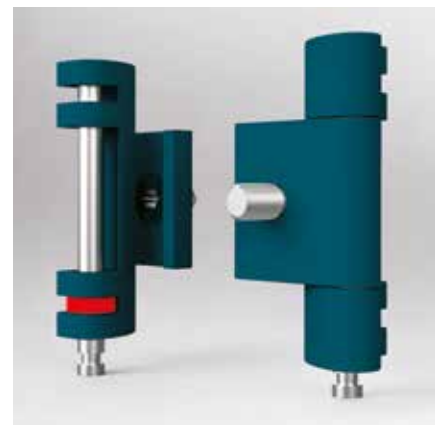
FRONT DOOR



Reversible front door with welded reinforcement profiles. Transparent door supplied in tempered glass.



Specific construction concept and geometry for pressed steel hinges.



New design for 180° hinges painted in smooth RAL5020; possibility of installation without machining the door.

CABLE ENTRY



Enlarged opening and non funnel-shaped cable entry.



Lower total flange+screw protrusion than previous version.



Bordered flange, fitted with a polyurethane gasket for increased strength and protection.

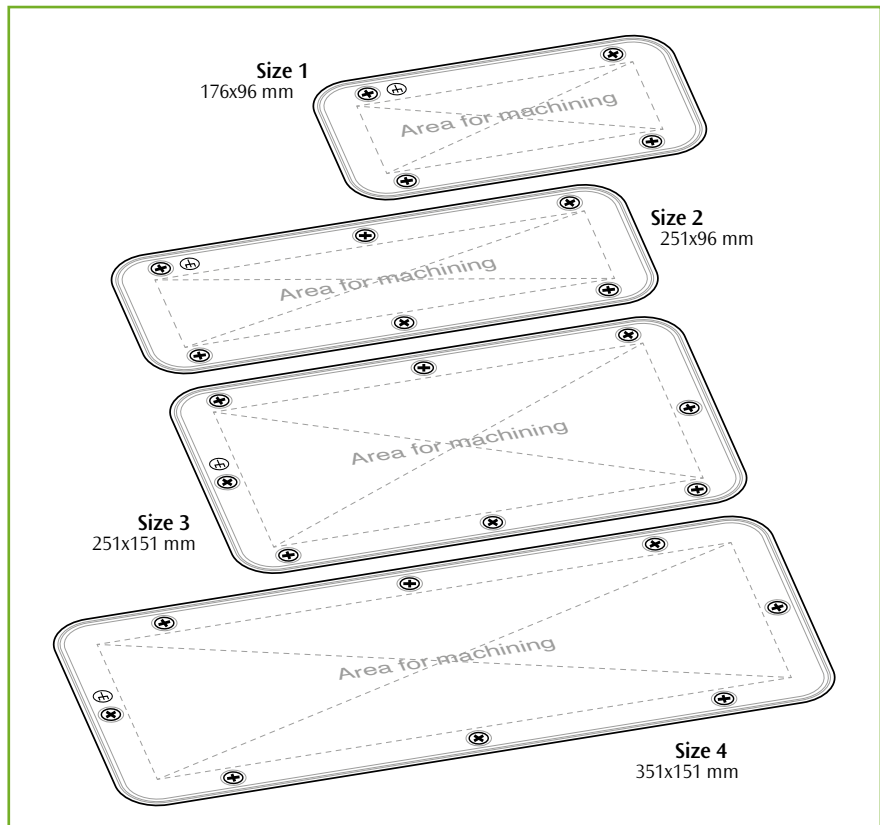


Conductive earth flange with single screw (identified with marking).



Engravings to the mounting plate to assist the user with mounting plate sizing information.

Boxes



4 flange sizes and double flange for L ≥ 600.

CODING SYSTEM

Enclosure with standard dimensions as per the catalogue

EC030415.P.0001

EC range of the E COR product

03 width

04 height

15 depth

.P possible product version

.0001

possible progressive number identifying the special processing for the customer (generated by ETA upon order confirmation)

Enclosure with special dimensions not included in the catalogue (code generated by ETA)

EC.00100.P.0001

EC range of the E COR product

.00100 progressive number identifying the special dimensions for the customer (generated by ETA upon order confirmation)

.P possible product version (generated by ETA upon order confirmation)

.0001 progressive number identifying the special processing for the customer (generated by ETA upon order confirmation)



DIMENSIONS (MM)			ENCLOSURE			
B	A	P	SINGLE BLANK	DOUBLE BLANK	SINGLE TRANSPARENT	EMC VERSION
200	300	150	EC020315 ■			EC020315.E
250	300	150	EC025315 ■			
300	300	150	EC030315 ■			
300	300	200	EC030320 ■			
300	400	150	EC030415 ■			
300	400	200	EC030420 ■			
300	500	150	EC030515 ■			
300	500	200	EC030520 ■			
400	300	150	EC040315 ■			
400	300	200	EC040320 ■		EC040320.P	
400	400	200	EC040420 ■		EC040420.P	EC040420.E
400	400	250	EC040425 ■			
400	500	150	EC040515 ■			
400	500	200	EC040520 ■		EC040520.P	
400	500	250	EC040525 ■		EC040525.P	
400	600	200	EC040620 ■		EC040620.P	EC040620.E
400	600	250	EC040625 ■		EC040625.P	
400	600	300	EC040630 ■			
400	600	350	EC040635 ■			
400	600	400	EC040640 ■			
500	500	200	EC050520 ■			
500	500	250	EC050525 ■			
500	500	300	EC050530 ■			
500	600	150	EC050615 ■			
500	600	200	EC050620 ■			
500	600	250	EC050625 ■			
500	700	200	EC050720 ■		EC050720.P	
500	700	250	EC050725 ■		EC050725.P	
600	400	200	EC060420 ■		EC060420.P	
600	400	300	EC060430 ■			
600	500	200	EC060520 ■			
600	600	200	EC060620 ■		EC060620.P	
600	600	250	EC060625 ■			
600	600	300	EC060630 ■		EC060630.P	EC060630.E
600	600	350	EC060635 ■			
600	600	400	EC060640 ■			
600	800	200	EC060820 ■			
600	800	250	EC060825 ■		EC060825.P	
600	800	300	EC060830 ■		EC060830.P	
600	800	350	EC060835 ■			
600	800	400	EC060840 ■			
600	1000	250	EC061025 ■			
600	1000	300	EC061030 ■		EC061030.P	
600	1000	400	EC061040 ■			
600	1200	300	EC061230 ■		EC061230.P	
800	800	200	EC080820 ■			
800	800	250	EC080825 ■			
800	800	300	EC080830 ■		EC080830.P	
800	800	400	EC080840 ■			
800	1000	250	EC081025 ■			
800	1000	300	EC081030 ■		EC081030.P	
800	1000	400	EC081040 ■			
800	1200	300	EC081230 ■		EC081230.P	
800	1200	400	EC081240 ■			
800	600	300		EC080630 ■		
800	1400	300		EC081430 ■		
1000	800	200		EC100820 ■		
1000	800	300		EC100830 ■		
1000	1000	300		EC101030 ■		
1000	1200	300		EC101230 ■		
1000	1400	300		EC101430 ■		
1200	800	300		EC120830 ■		
1200	1200	300		EC121230 ■		

AVAILABLE: ■ IN STOCK
■ UPON REQUEST

See page 266

DOOR ACCESSORIES

MODULAR CHASSIS	SOLID PANEL H = 200	INNER DOOR	LOCK SYSTEM FOR E COR TYPE	DOOR CROSS-PIECE (10 PCS)	DOOR STOPPER	19" RACK UPRIGHTS (2 PCS)
			Box / 1		ECWA0001	ECMR0300
			Box / 1		ECWA0001	ECMR0300
			Box / 1	ECTP0300	ECWA0001	ECMR0300
			Box / 1	ECTP0300	ECWA0001	ECMR0300
			Box / 1	ECTP0300	ECWA0001	ECMR0400
			Box / 1	ECTP0300	ECWA0001	ECMR0400
			Box / 1	ECTP0300	ECWA0001	ECMR0500
			Box / 1	ECTP0300	ECWA0001	ECMR0500
ECMI040030	ECAV040015		Box / 1	ECTP0400	ECWA0001	ECMR0300
ECMI040030	ECAV040015		Box / 1	ECTP0400	ECWA0001	ECMR0300
ECMI040040	ECAV040015		Box / 1	ECTP0400	ECWA0001	ECMR0400
ECMI040040	ECAV040015		Box / 1	ECTP0400	ECWA0001	ECMR0400
ECMI040050	ECAV040015		Box / 1	ECTP0400	ECWA0001	ECMR0500
ECMI040050	ECAV040015	ECPI040050	Box / 1	ECTP0400	ECWA0001	ECMR0500
ECMI040050	ECAV040015	ECPI040050	Box / 1	ECTP0400	ECWA0001	ECMR0500
ECMI040060	ECAV040015	ECPI040060	Box / 2	ECTP0400	ECWA0001	ECMR0600
ECMI040060	ECAV040015	ECPI040060	Box / 2	ECTP0400	ECWA0001	ECMR0600
ECMI040060	ECAV040015	ECPI040060	Box / 2	ECTP0400	ECWA0001	ECMR0600
ECMI040060	ECAV040015	ECPI040060	Box / 2	ECTP0400	ECWA0001	ECMR0600
ECMI040060	ECAV040015	ECPI040060	Box / 2	ECTP0400	ECWA0001	ECMR0600
			Box / 1	ECTP0500	ECWA0001	ECMR0500
			Box / 1	ECTP0500	ECWA0001	ECMR0500
			Box / 1	ECTP0500	ECWA0001	ECMR0500
			Box / 1	ECTP0500	ECWA0001	ECMR0600
			Box / 1	ECTP0500	ECWA0001	ECMR0600
			Box / 1	ECTP0500	ECWA0001	ECMR0600
ECMI050070	ECAV050015	ECPI050070	Box / 2	ECTP0500	ECWA0001	ECMR0700
ECMI050070	ECAV050015	ECPI050070	Box / 2	ECTP0500	ECWA0001	ECMR0700
ECMI060040	ECAV060015	ECPI060040	Box / 1	ECTP0600	ECWA0001	ECMR0400
ECMI060040	ECAV060015	ECPI060040	Box / 1	ECTP0600	ECWA0001	ECMR0400
			Box / 1	ECTP0600	ECWA0001	ECMR0500
ECMI060060	ECAV060015		Box / 2	ECTP0600	ECWA0001	ECMR0600
ECMI060060	ECAV060015		Box / 2	ECTP0600	ECWA0001	ECMR0600
ECMI060060	ECAV060015		Box / 2	ECTP0600	ECWA0001	ECMR0600
ECMI060060	ECAV060015		Box / 2	ECTP0600	ECWA0001	ECMR0600
ECMI060060	ECAV060015		Box / 2	ECTP0600	ECWA0001	ECMR0600
ECMI060080	ECAV060015	ECPI060080	Box / 2	ECTP0600	ECWA0001	ECMR0800
ECMI060080	ECAV060015	ECPI060080	Box / 2	ECTP0600	ECWA0001	ECMR0800
ECMI060080	ECAV060015	ECPI060080	Box / 2	ECTP0600	ECWA0001	ECMR0800
ECMI060080	ECAV060015	ECPI060080	Box / 2	ECTP0600	ECWA0001	ECMR0800
ECMI060080	ECAV060015	ECPI060080	Box / 2	ECTP0600	ECWA0001	ECMR0800
ECMI060100	ECAV060015	ECPI060100	Box / 2	ECTP0600	ECWA0001	ECMR1000
ECMI060100	ECAV060015	ECPI060100	Box / 2	ECTP0600	ECWA0001	ECMR1000
ECMI060100	ECAV060015	ECPI060100	Box / 2	ECTP0600	ECWA0001	ECMR1000
ECMI060120	ECAV060015	ECPI060120	Latch	ECTP0600	ECWA0001	ECMR1200
			Box / 2	ECTP0800	ECWA0001	ECMR0800
			Box / 2	ECTP0800	ECWA0001	ECMR0800
			Box / 2	ECTP0800	ECWA0001	ECMR0800
			Box / 2	ECTP0800	ECWA0001	ECMR0800
ECMI080100	ECAV080015	ECPI080100	Box / 2	ECTP0800	ECWA0001	ECMR1000
ECMI080100	ECAV080015	ECPI080100	Box / 2	ECTP0800	ECWA0001	ECMR1000
ECMI080100	ECAV080015	ECPI080100	Box / 2	ECTP0800	ECWA0001	ECMR1000
ECMI080120	ECAV080015	ECPI080120	Latch	ECTP0800	ECWA0001	ECMR1200
ECMI080120	ECAV080015	ECPI080120	Latch	ECTP0800	ECWA0001	ECMR1200
			Box / 2	ECTP0800	ECWA0001	ECMR0600
			Latch	ECTP0800	ECWA0001	ECMR1400
			Box / 2	ECTP0500	ECWA0001	ECMR0800
			Box / 2	ECTP0500	ECWA0001	ECMR0800
			Latch	ECTP0500	ECWA0001	ECMR1000
			Latch	ECTP0500	ECWA0001	ECMR1200
			Latch	ECTP0500	ECWA0001	ECMR1400
			Latch	ECTP0500	ECWA0001	ECMR1400
			Latch	ECTP0600	ECWA0001	ECMR1200
			Latch	ECTP0600	ECWA0001	ECMR1200

See page 179 to select the lock system based on the E COR TYPE

SPARE PARTS ACCESSORIES

MOUNTING PLATE	BLANK DOOR	TRANSPARENT DOOR
ECPA020030	ECPO020030	
ECPA025030	ECPO025030	
ECPA030030	ECPO030030	
ECPA030030	ECPO030030	
ECPA030040	ECPO030040	
ECPA030040	ECPO030040	
ECPA030050	ECPO030050	
ECPA030050	ECPO030050	
ECPA040030	ECPO040030	ECPV040030
ECPA040030	ECPO040030	ECPV040030
ECPA040040	ECPO040040	ECPV040040
ECPA040040	ECPO040040	ECPV040040
ECPA040050	ECPO040050	ECPV040050
ECPA040050	ECPO040050	ECPV040050
ECPA040050	ECPO040050	ECPV040050
ECPA040060	ECPO040060	ECPV040060
ECPA040060	ECPO040060	ECPV040060
ECPA040060	ECPO040060	ECPV040060
ECPA040060	ECPO040060	ECPV040060
ECPA040060	ECPO040060	ECPV040060
ECPA050050	ECPO050050	
ECPA050050	ECPO050050	
ECPA050050	ECPO050050	
ECPA050060	ECPO050060	
ECPA050060	ECPO050060	
ECPA050060	ECPO050060	
ECPA050070	ECPO050070	ECPV050070
ECPA050070	ECPO050070	ECPV050070
ECPA060040	ECPO060040	ECPV060040
ECPA060040	ECPO060040	ECPV060040
ECPA060050	ECPO060050	ECPV060050
ECPA060060	ECPO060060	ECPV060060
ECPA060060	ECPO060060	ECPV060060
ECPA060060	ECPO060060	ECPV060060
ECPA060060	ECPO060060	ECPV060060
ECPA060080	ECPO060080	ECPV060080
ECPA060080	ECPO060080	ECPV060080
ECPA060080	ECPO060080	ECPV060080
ECPA060080	ECPO060080	ECPV060080
ECPA060100	ECPO060100	ECPV060100
ECPA060100	ECPO060100	ECPV060100
ECPA060100	ECPO060100	ECPV060100
ECPA060120	ECPO060120	ECPV060120
ECPA080080	ECPO080080	ECPV080080
ECPA080080	ECPO080080	ECPV080080
ECPA080080	ECPO080080	ECPV080080
ECPA080100	ECPO080100	ECPV080100
ECPA080100	ECPO080100	ECPV080100
ECPA080100	ECPO080100	ECPV080100
ECPA080120	ECPO080120	ECPV080120
ECPA080120	ECPO080120	ECPV080120
ECPA080060	ECPO080060*	
ECPA080140	ECPO080140*	
ECPA100080	ECPO100080*	
ECPA100080	ECPO100080*	
ECPA100100	ECPO100100*	
ECPA100120	ECPO100120*	
ECPA100140	ECPO100140*	
ECPA120080	ECPO120080*	
ECPA120120	ECPO120120*	

* Add I to the code to order a master door with lock (e.g. **ECPO080060I**) and C for slave door (e.g. **ECPO080060C**)

Boxes

DIMENSIONS (MM)		
B	A	P
200	300	150
250	300	150
300	300	150
300	300	200
300	400	150
300	400	200
300	500	150
300	500	200
400	300	150
400	300	200
400	400	200
400	400	250
400	500	150
400	500	200
400	500	250
400	600	200
400	600	250
400	600	300
400	600	350
400	600	400
500	500	200
500	500	250
500	500	300
500	600	150
500	600	200
500	600	250
500	700	200
500	700	250
600	400	200
600	400	300
600	500	200
600	600	200
600	600	250
600	600	300
600	600	350
600	600	400
600	800	200
600	800	250
600	800	300
600	800	350
600	800	400
600	1000	250
600	1000	300
600	1000	400
600	1200	300
800	800	200
800	800	250
800	800	300
800	800	400
800	1000	250
800	1000	300
800	1000	400
800	1200	300
800	1200	400
800	600	300
800	1400	300
1000	800	200
1000	800	300
1000	1000	300
1000	1200	300
1000	1400	300
1200	800	300
1200	1200	300

Boxes

ENCLOSURE			
SINGLE BLANK	DOUBLE BLANK	SINGLE TRANSPARENT	EMC VERSION
EC020315 ■			EC020315.E
EC025315 ■			
EC030315 ■			
EC030320 ■			
EC030415 ■			
EC030420 ■			
EC030515 ■			
EC030520 ■			
EC040315 ■			
EC040320 ■		EC040320.P	
EC040420 ■		EC040420.P	EC040420.E
EC040425 ■			
EC040515 ■			
EC040520 ■		EC040520.P	
EC040525 ■		EC040525.P	
EC040620 ■		EC040620.P	EC040620.E
EC040625 ■		EC040625.P	
EC040630 ■			
EC040635 ■			
EC040640 ■			
EC050520 ■			
EC050525 ■			
EC050530 ■			
EC050615 ■			
EC050620 ■			
EC050625 ■			
EC050720 ■		EC050720.P	
EC050725 ■		EC050725.P	
EC060420 ■		EC060420.P	
EC060430 ■			
EC060520 ■			
EC060620 ■		EC060620.P	
EC060625 ■			
EC060630 ■		EC060630.P	EC060630.E
EC060635 ■			
EC060640 ■			
EC060820 ■			
EC060825 ■		EC060825.P	
EC060830 ■		EC060830.P	
EC060835 ■			
EC060840 ■			
EC061025 ■			
EC061030 ■		EC061030.P	
EC061040 ■			
EC061230 ■		EC061230.P	
EC080820 ■			
EC080825 ■			
EC080830 ■		EC080830.P	
EC080840 ■			
EC081025 ■			
EC081030 ■		EC081030.P	
EC081040 ■			
EC081230 ■		EC081230.P	
EC081240 ■			
	EC080630 ■		
	EC081430 ■		
	EC100820 ■		
	EC100830 ■		
	EC101030 ■		
	EC101230 ■		
	EC101430 ■		
	EC120830 ■		
	EC121230 ■		

MICRO-PERFORATED MOUNTING PLATE	MOUNTING PLATE ADJUSTER (10 PCS)	IN-DEPTH UNIVERSAL CROSS-PIECE (4PCS)
ECPF020030		ECTU0150
ECPF025030		ECTU0150
ECPF030030		ECTU0150
ECPF030030	ECRP0001	ECTU0200
ECPF030040		ECTU0150
ECPF030040	ECRP0001	ECTU0200
ECPF030050		ECTU0150
ECPF030050	ECRP0001	ECTU0200
ECPF040030		ECTU0150
ECPF040030	ECRP0001	ECTU0200
ECPF040040	ECRP0001	ECTU0200
ECPF040040	ECRP0001	ECTU0250
ECPF040050		ECTU0150
ECPF040050	ECRP0001	ECTU0200
ECPF040050	ECRP0001	ECTU0250
ECPF040060	ECRP0001	ECTU0200
ECPF040060	ECRP0001	ECTU0250
ECPF040060	ECRP0001	ECTU0300
ECPF040060	ECRP0001	ECTU0350
ECPF040060	ECRP0001	ECTU0400
ECPF050050	ECRP0001	ECTU0200
ECPF050050	ECRP0001	ECTU0250
ECPF050050	ECRP0001	ECTU0300
ECPF050060		ECTU0150
ECPF050060	ECRP0001	ECTU0200
ECPF050060	ECRP0001	ECTU0250
ECPF050070	ECRP0001	ECTU0200
ECPF050070	ECRP0001	ECTU0250
ECPF060040	ECRP0001	ECTU0200
ECPF060040	ECRP0001	ECTU0300
ECPF060050	ECRP0001	ECTU0200
ECPF060060	ECRP0001	ECTU0200
ECPF060060	ECRP0001	ECTU0250
ECPF060060	ECRP0001	ECTU0300
ECPF060060	ECRP0001	ECTU0350
ECPF060060	ECRP0001	ECTU0400
ECPF060080	ECRP0001	ECTU0200
ECPF060080	ECRP0001	ECTU0250
ECPF060080	ECRP0001	ECTU0300
ECPF060080	ECRP0001	ECTU0350
ECPF060080	ECRP0001	ECTU0400
ECPF060100	ECRP0001	ECTU0250
ECPF060100	ECRP0001	ECTU0300
ECPF060100	ECRP0001	ECTU0400
ECPF060120	ECRP0001	ECTU0300
ECPF080080	ECRP0001	ECTU0200
ECPF080080	ECRP0001	ECTU0250
ECPF080080	ECRP0001	ECTU0300
ECPF080080	ECRP0001	ECTU0400
ECPF080100	ECRP0001	ECTU0250
ECPF080100	ECRP0001	ECTU0300
ECPF080100	ECRP0001	ECTU0400
ECPF080120	ECRP0001	ECTU0300
ECPF080120	ECRP0001	ECTU0400
ECPF080060	ECRP0001	ECTU0300
ECPF080140	ECRP0001	ECTU0300
ECPF100080	ECRP0001	ECTU0200
ECPF100080	ECRP0001	ECTU0300
ECPF100100	ECRP0001	ECTU0300
ECPF100120	ECRP0001	ECTU0300
ECPF100140	ECRP0001	ECTU0300
ECPF120080	ECRP0001	ECTU0300
ECPF120120	ECRP0001	ECTU0300

See page 266

AVAILABLE: ■ IN STOCK
■ UPON REQUEST

HOUSING ACCESSORIES

	MICRO-SWITCH	WALL MOUNTING KIT	POLE MOUNTING KIT	PROTECTIVE CANOPY	BLANK CABLE ENTRY PLATE (2 PCS)	LOUVERED CABLE ENTRY PLATE (2 PCS)	PUNCHED CABLE ENTRY PLATE (2 PCS)	PLINTH SIDE CROSS-PIECES WITH INTEGRAT. CORNER PIECE H = 100 (2 PCS)	PLINTH SIDE CROSS-PIECES WITH INTEGRAT. CORNER PIECE H = 200 (2 PCS)	PLINTH FRONTAL CROSSPIECES (2 PCS)
	ECMC0001	ECSF0001	ECFP0001		ECIC0001	ECIA0001	ECIF0001			
	ECMC0001	ECSF0001	ECFP0001		ECIC0001	ECIA0001	ECIF0001			
	ECMC0001	ECSF0001	ECFP0001		ECIC0002	ECIA0002	ECIF0002			
	ECMC0001	ECSF0001	ECFP0001		ECIC0003	ECIA0003	ECIF0003			
	ECMC0001	ECSF0001	ECFP0001		ECIC0002	ECIA0002	ECIF0002			
	ECMC0001	ECSF0001	ECFP0001		ECIC0003	ECIA0003	ECIF0003			
	ECMC0001	ECSF0001	ECFP0001		ECIC0002	ECIA0002	ECIF0002			
	ECMC0001	ECSF0001	ECFP0001		ECIC0003	ECIA0003	ECIF0003			
	ECMC0001	ECSF0001	ECFP0001		ECIC0002	ECIA0002	ECIF0002			
	ECMC0001	ECSF0001	ECFP0001	ECTT040020	ECIC0004	ECIA0004	ECIF0004			
	ECMC0001	ECSF0001	ECFP0001	ECTT040020	ECIC0004	ECIA0004	ECIF0004			
	ECMC0001	ECSF0001	ECFP0001	ECTT040025	ECIC0004	ECIA0004	ECIF0004			
	ECMC0001	ECSF0001	ECFP0001		ECIC0002	ECIA0002	ECIF0002			
	ECMC0001	ECSF0001	ECFP0001	ECTT040020	ECIC0004	ECIA0004	ECIF0004			
	ECMC0001	ECSF0001	ECFP0001	ECTT040025	ECIC0004	ECIA0004	ECIF0004			
	ECMC0001	ECSF0001	ECFP0001		ECIC0002	ECIA0002	ECIF0002			
	ECMC0001	ECSF0001	ECFP0001	ECTT040020	ECIC0004	ECIA0004	ECIF0004			
	ECMC0001	ECSF0001	ECFP0001	ECTT040025	ECIC0004	ECIA0004	ECIF0004			
	ECMC0001	ECSF0001	ECFP0001		ECIC0004	ECIA0004	ECIF0004	ECZP030010	ECZP030020	
	ECMC0001	ECSF0001	ECFP0001		ECIC0004	ECIA0004	ECIF0004	ECZP035010	ECZP035020	
	ECMC0001	ECSF0001	ECFP0001		ECIC0004	ECIA0004	ECIF0004	ECZP040010	ECZP040020	
	ECMC0001	ECSF0001	ECFP0001	ECTT050020	ECIC0004	ECIA0004	ECIF0004			
	ECMC0001	ECSF0001	ECFP0001	ECTT050025	ECIC0004	ECIA0004	ECIF0004			
	ECMC0001	ECSF0001	ECFP0001		ECIC0004	ECIA0004	ECIF0004	ECZP030010	ECZP030020	
	ECMC0001	ECSF0001	ECFP0001		ECIC0002	ECIA0002	ECIF0002			
	ECMC0001	ECSF0001	ECFP0001	ECTT050020	ECIC0004	ECIA0004	ECIF0004			
	ECMC0001	ECSF0001	ECFP0001	ECTT050025	ECIC0004	ECIA0004	ECIF0004			
	ECMC0001	ECSF0001	ECFP0001	ECTT050020	ECIC0004	ECIA0004	ECIF0004			
	ECMC0001	ECSF0001	ECFP0001	ECTT050025	ECIC0004	ECIA0004	ECIF0004			
	ECMC0001	ECSF0001	ECFP0001		ECIC0003	ECIA0003	ECIF0003 *			ECZP0600
	ECMC0001	ECSF0001	ECFP0001	ECTT060030	ECIC0003	ECIA0003	ECIF0003 *	ECZP030010	ECZP030020	ECZP0600
	ECMC0001	ECSF0001	ECFP0001		ECIC0003	ECIA0003	ECIF0003 *			ECZP0600
	ECMC0001	ECSF0001	ECFP0001		ECIC0003	ECIA0003	ECIF0003 *			ECZP0600
	ECMC0001	ECSF0001	ECFP0001	ECTT060025	ECIC0003	ECIA0003	ECIF0003 *			ECZP0600
	ECMC0001	ECSF0001	ECFP0001	ECTT060030	ECIC0003	ECIA0003	ECIF0003 *	ECZP030010	ECZP030020	ECZP0600
	ECMC0001	ECSF0001	ECFP0001		ECIC0003	ECIA0003	ECIF0003 *	ECZP035010	ECZP035020	ECZP0600
	ECMC0001	ECSF0001	ECFP0001		ECIC0003	ECIA0003	ECIF0003 *	ECZP040010	ECZP040020	ECZP0600
	ECMC0001	ECSF0001	ECFP0001		ECIC0003	ECIA0003	ECIF0003 *			ECZP0600
	ECMC0001	ECSF0001	ECFP0001	ECTT060025	ECIC0003	ECIA0003	ECIF0003 *			ECZP0600
	ECMC0001	ECSF0001	ECFP0001	ECTT060030	ECIC0003	ECIA0003	ECIF0003 *	ECZP030010	ECZP030020	ECZP0600
	ECMC0001	ECSF0001	ECFP0001		ECIC0003	ECIA0003	ECIF0003 *	ECZP035010	ECZP035020	ECZP0600
	ECMC0001	ECSF0001	ECFP0001		ECIC0003	ECIA0003	ECIF0003 *	ECZP040010	ECZP040020	ECZP0600
	ECMC0001	ECSF0001	ECFP0001	ECTT060025	ECIC0003	ECIA0003	ECIF0003 *			ECZP0600
	ECMC0001	ECSF0001	ECFP0001	ECTT060030	ECIC0003	ECIA0003	ECIF0003 *	ECZP030010	ECZP030020	ECZP0600
	ECMC0001	ECSF0001	ECFP0001		ECIC0003	ECIA0003	ECIF0003 *	ECZP040010	ECZP040020	ECZP0600
	ECMC0001	ECSF0001	ECFP0001	ECTT060030	ECIC0003	ECIA0003	ECIF0003 *	ECZP030010	ECZP030020	ECZP0600
	ECMC0001	ECSF0001	ECFP0001		ECIC0004	ECIA0004	ECIF0004			ECZP0800
	ECMC0001	ECSF0001	ECFP0001		ECIC0004	ECIA0004	ECIF0004			ECZP0800
	ECMC0001	ECSF0001	ECFP0001	ECTT080030	ECIC0004	ECIA0004	ECIF0004	ECZP030010	ECZP030020	ECZP0800
	ECMC0001	ECSF0001	ECFP0001		ECIC0004	ECIA0004	ECIF0004	ECZP040010	ECZP040020	ECZP0800
	ECMC0001	ECSF0001	ECFP0001		ECIC0004	ECIA0004	ECIF0004			ECZP0800
	ECMC0001	ECSF0001	ECFP0001	ECTT080030	ECIC0004	ECIA0004	ECIF0004	ECZP030010	ECZP030020	ECZP0800
	ECMC0001	ECSF0001	ECFP0001		ECIC0004	ECIA0004	ECIF0004	ECZP040010	ECZP040020	ECZP0800
	ECMC0001	ECSF0001	ECFP0001	ECTT080030	ECIC0004	ECIA0004	ECIF0004	ECZP030010	ECZP030020	ECZP0800
	ECMC0001	ECSF0001	ECFP0001	ECTT080030	ECIC0004	ECIA0004	ECIF0004	ECZP030010	ECZP030020	ECZP0800
	ECMC0001	ECSF0001	ECFP0001		ECIC0004	ECIA0004	ECIF0004	ECZP030010	ECZP030020	ECZP1000
	ECMC0001	ECSF0001	ECFP0001		ECIC0004	ECIA0004	ECIF0004	ECZP030010	ECZP030020	ECZP1000
	ECMC0001	ECSF0001	ECFP0001		ECIC0004	ECIA0004	ECIF0004	ECZP030010	ECZP030020	ECZP1000
	ECMC0001	ECSF0001	ECFP0001		ECIC0004	ECIA0004	ECIF0004	ECZP030010	ECZP030020	ECZP1000
	ECMC0001	ECSF0001	ECFP0001		ECIC0004	ECIA0004	ECIF0004	ECZP030010	ECZP030020	ECZP1000
	ECMC0001	ECSF0001	ECFP0001		ECIC0004	ECIA0004	ECIF0004	ECZP030010	ECZP030020	ECZP1200
	ECMC0001	ECSF0001	ECFP0001		ECIC0004	ECIA0004	ECIF0004	ECZP030010	ECZP030020	ECZP1200

Boxes

* Option:
ECIF0005
with 2 spaces
for flanges



CHARACTERISTICS AND COMPOSITION

Housing made from sheet steel.
 Reversible door made from sheet steel with $\varnothing 3$ mm double Bit locking system and 2 profiles (welded and painted).
 Mounting plate made from sendzimir steel.
 Cable entry closure flange (with polyurethane gasket) made from sheet steel.
 Set of screws for grounding and assembly.

PAINTING

ETA standard finishing cycle: paint-based primer with deposition by cataphoresis with epoxy resin and finishing using thermosetting powders. Colour: RAL7035 textured.



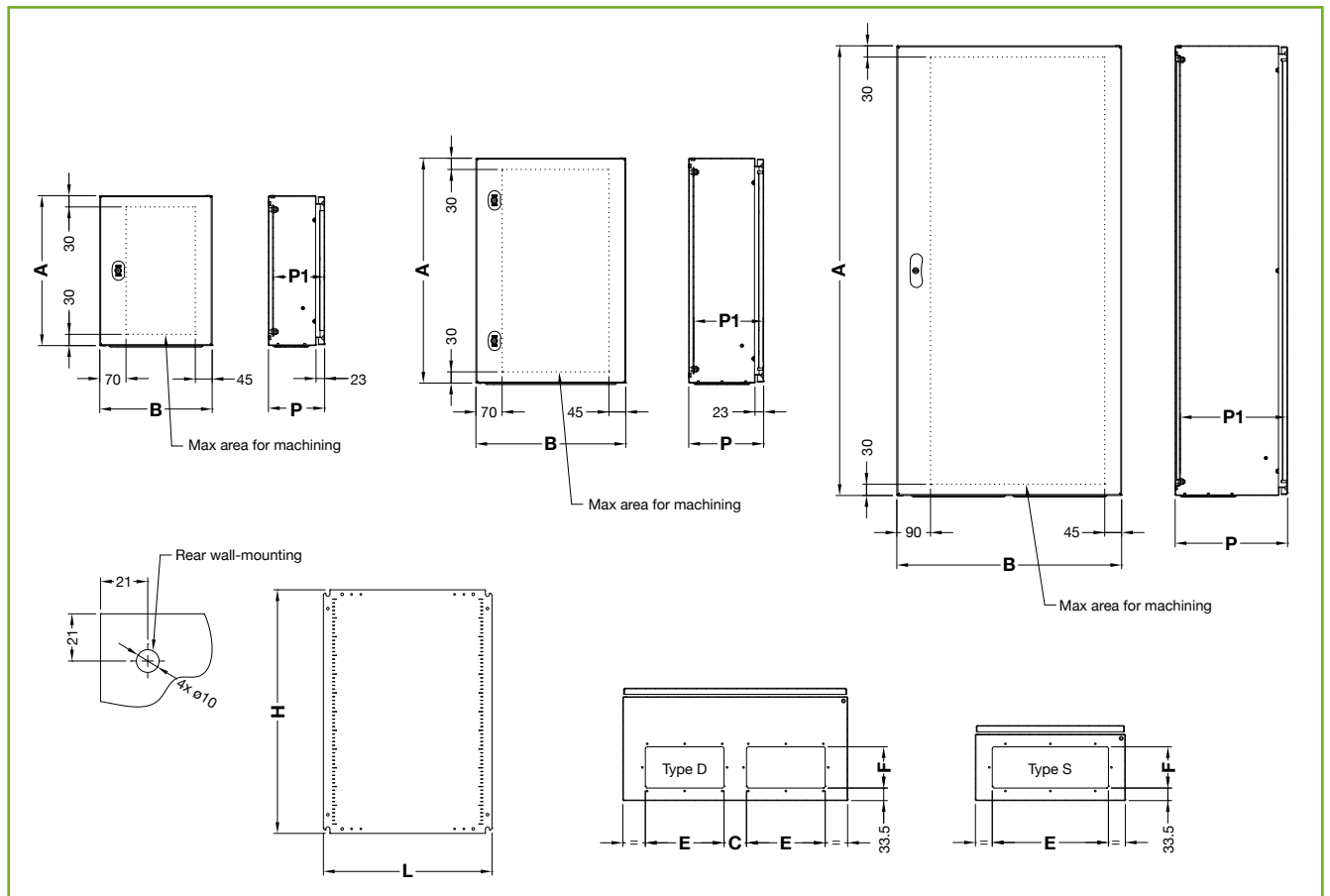
PROTECTION RATING

- IP66 compliant with IEC EN62208 and EN60529.
- NEMA4 compliant with UL508A and UL50.
- Protection rating ensured by the two-component polyurethane foam gasket.
- Impact resistance rating IK10 in compliant with IEC EN62208 and EN62262.



Space markings on Mounting Plate (removable with appropriate product) to facilitate wiring.
Except for: 200x300, 250x300, W \geq 1000 mm.

Boxes



AVAILABLE: ■ IN STOCK
■ UPON REQUEST

ENCLOSURE WITH SINGLE SOLID DOOR

E COR CODE	AVAIL.	ENCLOSURE					CABLE ENTRY				MOUNTING PLATE	
		B	A	P	P1	TYPE/NO.	E	F	C	TYPE	L	H
200												
EC020315	■	200	300	150	135	Box/1	135	55	–	S	150	250
250												
EC025315	■	250	300	150	135	Box/1	135	55	–	S	200	250
300												
EC030315	■	300	300	150	135	Box/1	210	55	–	S	250	250
EC030320	■	300	300	200	185	Box/1	210	110	–	S	250	250
EC030415	■	300	400	150	135	Box/1	210	55	–	S	250	350
EC030420	■	300	400	200	185	Box/1	210	110	–	S	250	350
EC030515	■	300	500	150	135	Box/1	210	55	–	S	250	450
EC030520	■	300	500	200	185	Box/1	210	110	–	S	300	450
400												
EC040315	■	400	300	150	135	Box/1	210	55	–	S	350	250
EC040320	■	400	300	200	185	Box/1	310	110	–	S	350	250
EC040420	■	400	400	200	185	Box/1	310	110	–	S	350	350
EC040425	■	400	400	250	235	Box/1	310	110	–	S	350	350
EC040515	■	400	500	150	135	Box/1	210	55	–	S	350	450
EC040520	■	400	500	200	185	Box/1	310	110	–	S	350	450
EC040525	■	400	500	250	235	Box/1	310	110	–	S	350	450
EC040620	■	400	600	200	185	Box/2	310	110	–	S	350	550
EC040625	■	400	600	250	235	Box/2	310	110	–	S	350	550
EC040630	■	400	600	300	285	Box/2	310	110	–	S	350	550
EC040635	■	400	600	350	335	Box/2	310	110	–	S	350	550
EC040640	■	400	600	400	385	Box/2	310	110	–	S	350	550
500												
EC050520	■	500	500	200	185	Box/1	310	110	–	S	450	450
EC050525	■	500	500	250	235	Box/1	310	110	–	S	450	450
EC050530	■	500	500	300	285	Box/1	310	110	–	S	450	450
EC050615	■	500	600	150	135	Box/1	210	55	–	S	450	550
EC050620	■	500	600	200	185	Box/1	310	110	–	S	450	550
EC050625	■	500	600	250	235	Box/1	310	110	–	S	450	550
EC050720	■	500	700	200	185	Box/2	310	110	–	S	450	650
EC050725	■	500	700	250	235	Box/2	310	110	–	S	450	650
600												
EC060420	■	600	400	200	185	Box/1	210	110	60	D	550	350
EC060430	■	600	400	300	285	Box/1	210	110	60	D	550	350
EC060520	■	600	500	200	185	Box/1	210	110	60	D	550	450
EC060620	■	600	600	200	185	Box/2	210	110	60	D	550	550
EC060625	■	600	600	250	235	Box/2	210	110	60	D	550	550
EC060630	■	600	600	300	285	Box/2	210	110	60	D	550	550
EC060635	■	600	600	350	335	Box/2	210	110	60	D	550	550
EC060640	■	600	600	400	385	Box/2	210	110	60	D	550	550
EC060820	■	600	800	200	185	Box/2	210	110	60	D	550	750
EC060825	■	600	800	250	235	Box/2	210	110	60	D	550	750
EC060830	■	600	800	300	285	Box/2	210	110	60	D	550	750
EC060835	■	600	800	350	335	Box/2	210	110	60	D	550	750
EC060840	■	600	800	400	385	Box/2	210	110	60	D	550	750
EC061025	■	600	1000	250	235	Box/2	210	110	60	D	550	950
EC061030	■	600	1000	300	285	Box/2	210	110	60	D	550	950
EC061040	■	600	1000	400	385	Box/2	210	110	60	D	550	950
EC061230	■	600	1200	300	285	Latch	210	110	60	D	550	1150
800												
EC080820	■	800	800	200	185	Box/2	310	110	60	D	750	750
EC080825	■	800	800	250	185	Box/2	310	110	60	D	750	750
EC080830	■	800	800	300	285	Box/2	310	110	60	D	750	750
EC080840	■	800	800	400	385	Box/2	310	110	60	D	750	750
EC081025	■	800	1000	250	235	Box/2	310	110	60	D	750	950
EC081030	■	800	1000	300	285	Box/2	310	110	60	D	750	950
EC081040	■	800	1000	400	385	Box/2	310	110	60	D	750	950
EC081230	■	800	1200	300	285	Latch	310	110	60	D	750	1150
EC081240	■	800	1200	400	385	Latch	310	110	60	D	750	1150

Boxes

For E COR boxes without plate, order version .N (not handled in the warehouse, available on request).



CHARACTERISTICS AND COMPOSITION

Housing made from sheet steel.
Reversible door made from sheet steel with $\varnothing 3$ mm double Bit locking system and transparent tempered glass.
Mounting plate made from sendzimir steel.
Cable entry closure flange (with polyurethane gasket) made from sheet steel.
Set of screws for grounding and assembly.

PAINTING

ETA standard finishing cycle: paint-based primer with deposition by cathoresis with epoxy resin and finishing using thermosetting powders. Colour: RAL7035 textured.



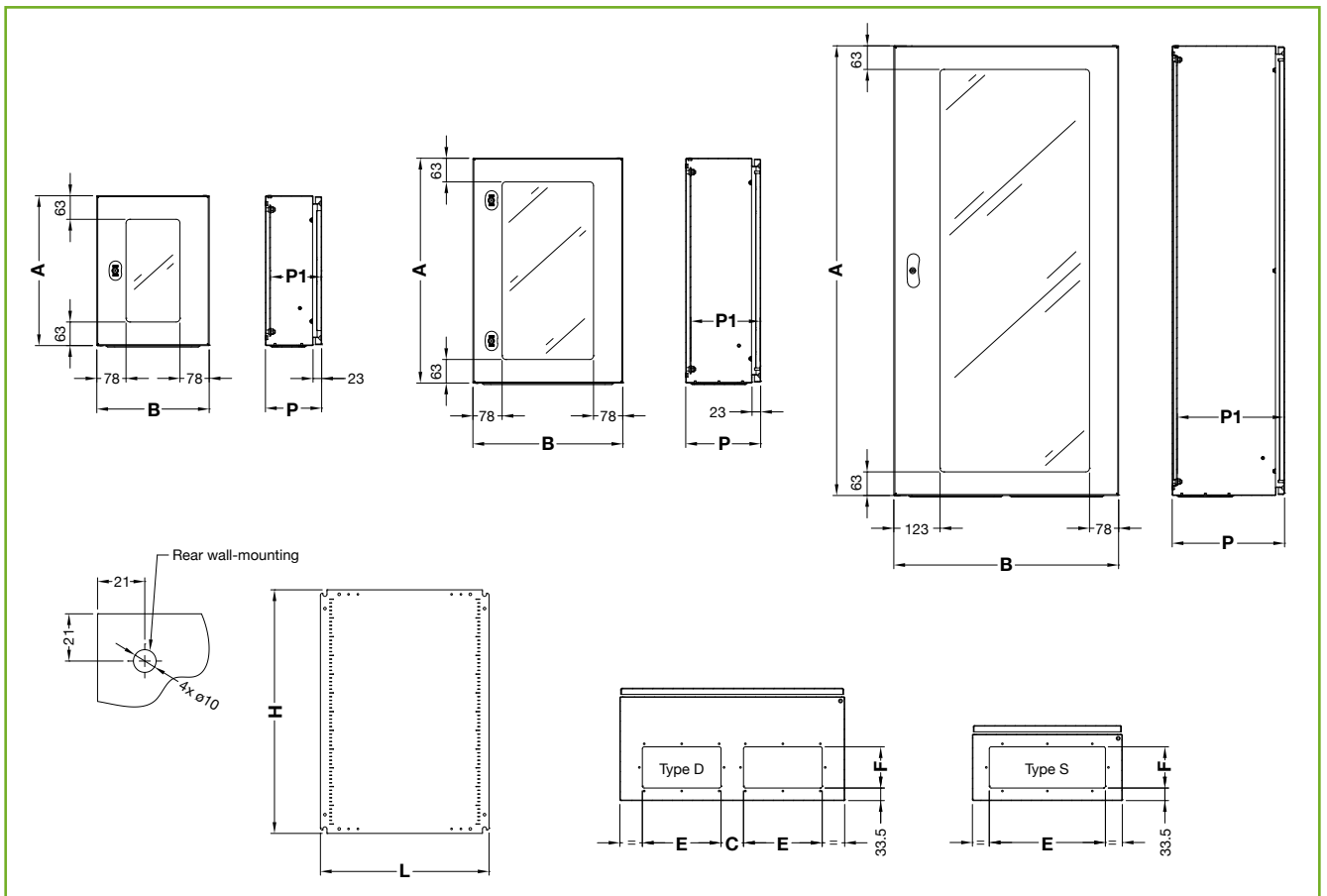
PROTECTION RATING

- IP66 compliant with IEC EN62208 and EN60529.
- NEMA12 compliant with UL508A and UL50.
- Protection rating ensured by the two-component polyurethane foam gasket.
- Impact resistance rating IK10 in compliant with IEC EN62208 and EN62262.



Space markings on Mounting Plate (removable with appropriate product) to facilitate wiring.
Except for: 200x300, 250x300, W \geq 1000 mm.

Boxes



ENCLOSURE WITH TRANSPARENT DOOR

E COR CODE	ENCLOSURE					CABLE ENTRY				MOUNTING PLATE	
	B	A	P	P1	TYPE/NO.	E	F	C	TYPE	L	H
400											
EC040320.P	400	300	200	185	Box/1	310	110	–	S	350	250
EC040420.P	400	400	200	185	Box/1	310	110	–	S	350	350
EC040520.P	400	500	200	185	Box/1	310	110	–	S	350	450
EC040525.P	400	500	250	235	Box/1	310	110	–	S	350	450
EC040620.P	400	600	200	185	Box/2	310	110	–	S	350	550
EC040625.P	400	600	250	235	Box/2	310	110	–	S	350	550
500											
EC050720.P	500	700	200	185	Box/2	310	110	–	S	450	650
EC050725.P	500	700	250	235	Box/2	310	110	–	S	450	650
600											
EC060420.P	600	400	200	185	Box/1	210	110	60	D	550	350
EC060620.P	600	600	200	185	Box/2	210	110	60	D	550	550
EC060630.P	600	600	300	285	Box/2	210	110	60	D	550	550
EC060825.P	600	800	250	235	Box/2	210	110	60	D	550	750
EC060830.P	600	800	300	285	Box/2	210	110	60	D	550	750
EC061030.P	600	1000	300	285	Box/2	210	110	60	D	550	950
EC061230.P	600	1200	300	285	Latch	210	110	60	D	550	1150
800											
EC080830.P	800	800	300	285	Box/2	310	110	60	D	750	750
EC081030.P	800	1000	300	285	Box/2	310	110	60	D	750	950
EC081230.P	800	1200	300	285	Latch	310	110	60	D	750	1150

For E COR boxes without plate, order version .N (not handled in the warehouse, available on request).

Boxes



BOXES WITH SCREWED PANEL

E COR CODE	AVAILAB.	DIMENSIONS			E COR CODE	AVAILAB.	DIMENSIONS		
		L	H	P			L	H	P
200					500				
EC020315.A	■	200	300	150	EC050520.A	■	500	500	200
250					EC050525.A	■	500	500	250
EC025315.A	■	250	300	150	EC050530.A	■	500	500	300
300					EC050615.A	■	500	600	150
EC030315.A	■	300	300	150	EC050620.A	■	500	600	200
EC030320.A	■	300	300	200	EC050625.A	■	500	600	250
EC030415.A	■	300	400	150	EC050720.A	■	500	700	200
EC030420.A	■	300	400	200	EC050725.A	■	500	700	250
EC030515.A	■	300	500	150	600				
EC030520.A	■	300	500	200	EC060420.A	■	600	400	200
400					EC060430.A	■	600	400	300
EC040315.A	■	400	300	150	EC060520.A	■	600	500	200
EC040320.A	■	400	300	200	EC060620.A	■	600	600	200
EC040420.A	■	400	400	200	EC060625.A	■	600	600	250
EC040425.A	■	400	400	250	EC060630.A	■	600	600	300
EC040515.A	■	400	500	150	EC060635.A	■	600	600	350
EC040520.A	■	400	500	200	EC060640.A	■	600	600	400
EC040525.A	■	400	500	250	EC060820.A	■	600	800	200
EC040620.A	■	400	600	200	EC060825.A	■	600	800	250
EC040625.A	■	400	600	250	EC060830.A	■	600	800	300
EC040630.A	■	400	600	300	EC060835.A	■	600	800	350
EC040635.A	■	400	600	350	EC060840.A	■	600	800	400
EC040640.A	■	400	600	400	800				
					EC080820.A	■	800	800	200
					EC080825.A	■	800	800	250
					EC080830.A	■	800	800	300
					EC080840.A	■	800	800	400

AVAILABLE: ■ UPON REQUEST



CHARACTERISTICS AND COMPOSITION

Housing made from sheet steel.
Doors made from sheet steel with \varnothing 3 mm double Bit locking system and 4 profiles (welded and painted).
Mounting plate made from sendzimir steel.
Cable entry closure flanges (with polyurethane gasket) made from sheet steel.
Set of screws for grounding and assembly.

PAINTING

ETA standard finishing cycle: paint-based primer with deposition by cathoresis with epoxy resin and finishing using thermosetting powders. Colour: RAL7035 textured.

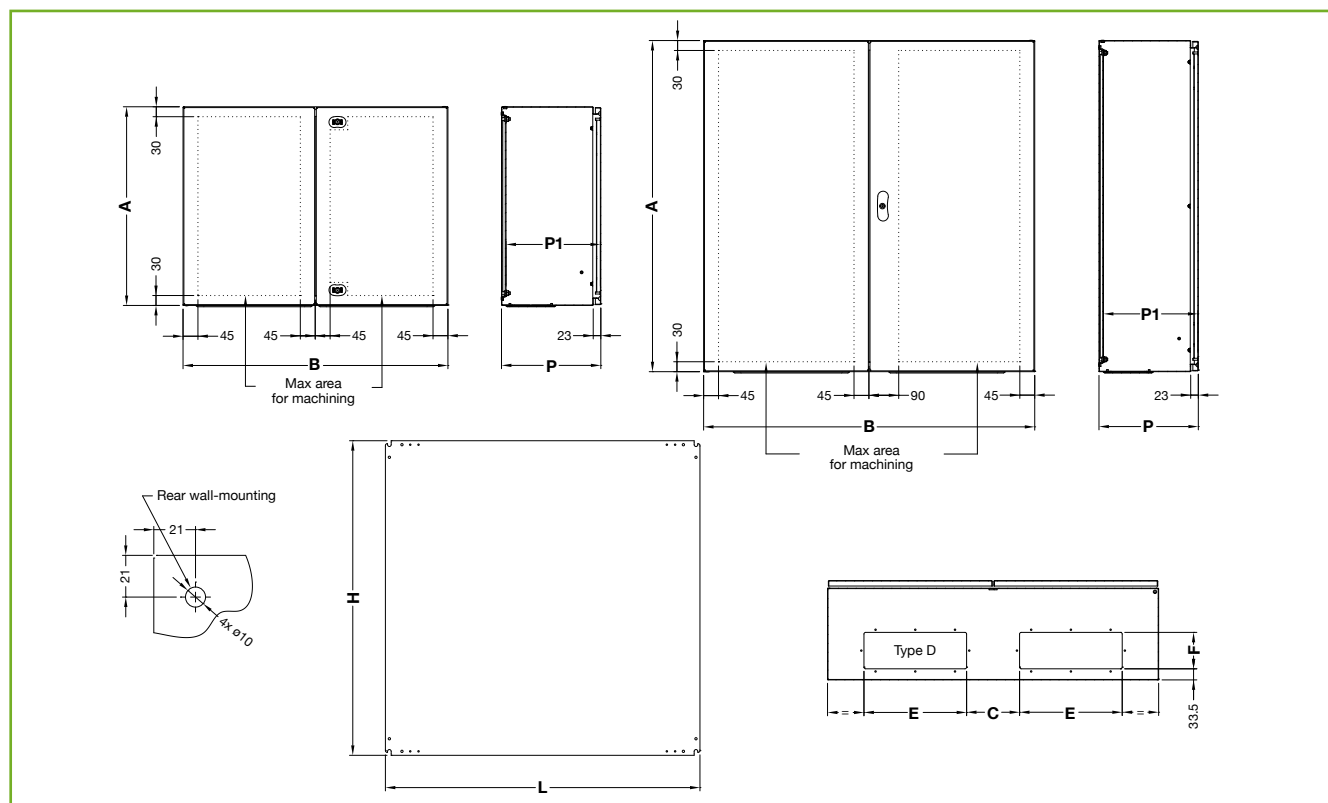


PROTECTION RATING

- IP55 compliant with IEC EN62208 and EN60529.
- NEMA12 compliant with UL508A and UL50.
- Protection rating ensured by the two-component polyurethane foam gasket.
- Impact resistance rating IK10 in compliant with IEC EN62208 and EN62262.



Space markings on Mounting Plate (removable with appropriate product) to facilitate wiring.
Except for: 200x300, 250x300, W \geq 1000 mm.



Boxes

ENCLOSURE WITH DOUBLE SOLID DOOR

E COR CODE	AVAIL.	ENCLOSURE						CABLE ENTRY				MOUNTING PLATE	
		B	A	P	P1	TYPE/NO.	E	F	C	TYPE	L	H	
EC080630	■	800	600	300	285	Box/2	310	110	60	D	750	550	
EC081430	■	800	1400	300	285	Latch	310	110	60	D	750	1350	
EC100820	■	1000	800	200	185	Box/2	310	110	160	D	950	750	
EC100830	■	1000	800	300	285	Box/2	310	110	160	D	950	750	
EC101030	■	1000	1000	300	285	Latch	310	110	160	D	950	950	
EC101230	■	1000	1200	300	285	Latch	310	110	160	D	950	1150	
EC101430	■	1000	1400	300	285	Latch	310	110	160	D	950	1350	
EC120830	■	1200	800	300	285	Latch	310	110	260	D	1150	750	
EC121230	■	1200	1200	300	285	Latch	310	110	260	D	1150	1150	

For E COR boxes without plate, order version .N (not handled in the warehouse, available on request).

AVAILABLE: ■ UPON REQUEST



The UBC (Uniform Building Code), which establishes that the various areas of buildings must be divided into zones with an increasing degree of severity (zone 4 = high risk), is used to assess the performance of enclosures installed in areas with a high seismic risk.

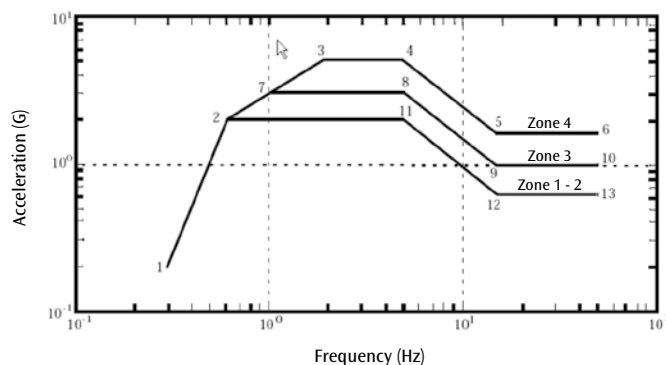
For the purpose of carrying out conformity tests, this is followed by testing to American Bellcore (TELCOR-DIA-GR-63-CORE-Issue3, March 2006) standard, used as a reference in the sector.

Thanks to the collaboration with CESI, a pseudo-static study has been carried out on the maximum dimension W 800 x H 1200 x D 300 mm of an E COR box with a single door (maximum dimension) made of DC01 carbon steel sheet, to evaluate its performance in zones 1-2, 3 and 4.

The tests were completed successfully, and we can therefore assume that all E COR boxes with single blind doors with dimensions less than W 800 x H 1200 x D 300 mm and having the following characteristics can be used in zones 1-2, 3, 4 with high seismic risk:

	ZONE 1 - 2	ZONE 3	ZONE 4
WALL-MOUNTING SYSTEM	SDWCX - 011 (stainless steel AISI316L)	SDWCX - 011 (stainless steel AISI316L)	SDWCX - 011 (stainless steel AISI316L)
P.A. PLATE LOAD LIMIT	600 Newton	600 Newton	600 Newton
VARIATION IN P.A. PLATE MOUNTING		2 additional central stud bolts	2 additional central stud bolts
VARIATION ENCLOSURE SHEET THICKNESS			E COR enclosure carbon sheet steel thickness = 18/10

Boxes



SEISMIC ANALYSES

The seismic analyses were performed using an equivalent static procedure (i.e. applying static loads whose effect is equivalent to the dynamic load defined by the Required Response Spectra RSS from Ref. [1]).

The equivalent static loads were calculated following the IBC procedure (Ref. [2]), but replacing the MCE spectral response mapped with the RSS indicated in the document Telcordia GR-63-CORE (from Ref. [1]).

The maximum spectral accelerations S, for the short term (0.2 s -> 5.0 Hz) and the maximum spectral accelerations S1, for the long term (1.0 s -> 1.0Hz) were read directly from the RRS spectrum (see graph) for the different seismic zones.



MODULAR FRONT WITH UNIVERSAL FUNCTIONAL FRAME, PANELS AND DIN RAILS

Internal frame made from sendzimir sheet steel complete with modular panels, DIN rails made from profiled sendzimir sheet steel and partitions H = 25 or 50 mm (if needed) made from sheet steel. Single piece complete with frame, modular panels, DIN guides, partitions, brackets and mounting accessories.

BLANK PANEL

Made from painted sheet steel. Nr. 2 pieces complete with mounting accessories.

INTERNAL DOOR

Internal frame made from galvanised sheet steel and panel made from sheet steel. Single piece complete with frame, hinges, locking system and mounting hardware.

PAINTING

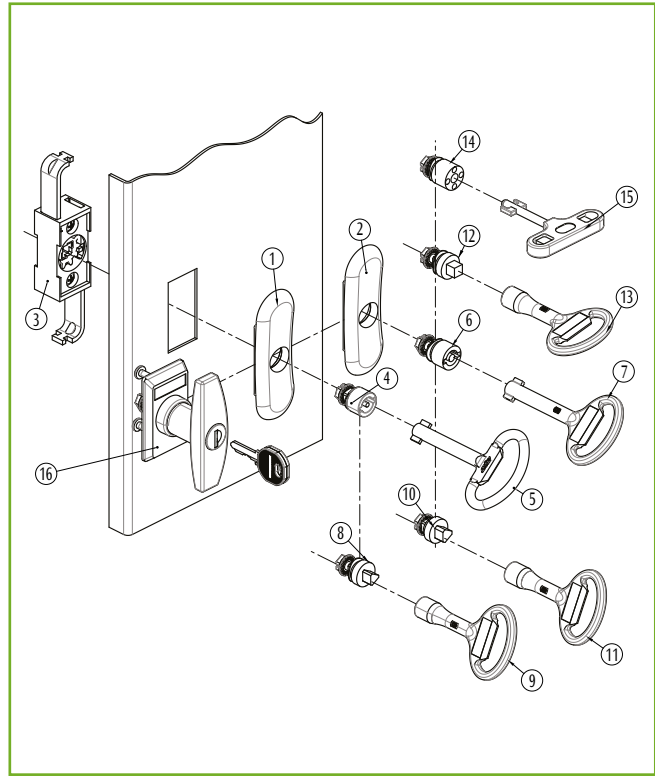
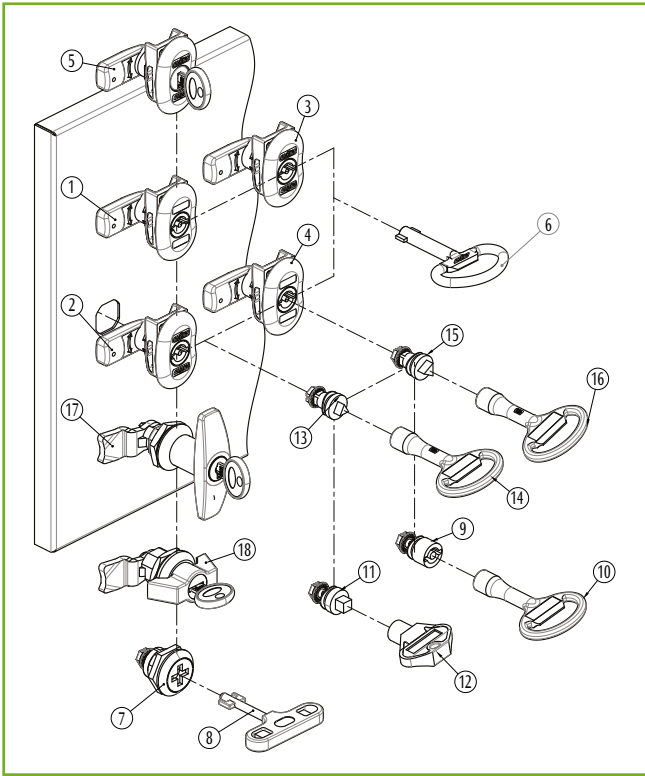
ETA standard finishing cycle: paint-based primer with deposition by cataphoresis with epoxy resin and finishing using thermosetting powders. Colour: RAL7035 textured.








Boxes



E COR ENCLOSURE		CHASSIS WITH UNIVERSAL FUNCT. FRAME, PANELS AND DIN RAILS		BLANK PANEL (2 PCS)			INTERNAL DOOR			
B	A	CODE	FUNCT. CHARACTER.	CODE	WIDTH	HEIGHT	CODE	WIDTH	HEIGHT	TYPE/NO.
400	300	ECMI040030	1 row x 16 DIN modules	ECAV040015	345	147	-	-	-	-
400	400	ECMI040040	2 rows x 16 DIN modules				-	-	-	-
400	500	ECMI040050	3 rows x 16 DIN modules				ECPI040050	340	446	Box/1
400	600	ECMI040060	3 rows x 16 DIN modules	ECAV050015	445	147	ECPI040060	340	546	Box/2
500	700	ECMI050070	4 rows x 21 DIN modules				ECPI050070	440	646	Box/2
600	400	ECMI060040	2 rows x 26 DIN modules	ECAV060015	545	147	ECPI060040	540	346	Box/1
600	600	ECMI060060	3 rows x 26 DIN modules				-	-	-	-
600	800	ECMI060080	5 rows x 26 DIN modules				ECPI060080	540	746	Box/2
600	1000	ECMI060100	6 rows x 26 DIN modules				ECPI060100	540	946	Box/2
600	1200	ECMI060120	7 rows x 26 DIN modules				ECPI060120	540	1146	Box/2
800	1000	ECMI080100	6 rows x 36 DIN modules	ECAV080015	745	147	ECPI080100	740	946	Box/2
800	1200	ECMI080120	7 rows x 36 DIN modules				ECPI080120	740	1146	Box/2



FOR ENCLOSURES WITH BOX LOCK

INSERT CODE	RIF.	DESCRIPTION	ETA LOGO	RIF.	KEY CODE
ECWE0001	2	 COMPLETE CLOSURE SYSTEM	●	6	ECWE0002
ECWE0003	1	 COMPLETE CLOSURE SYSTEM		6	ECWE0002
ECWE0004	3	 COMPLETE CLOSURE SYSTEM	●	6	ECWE0002
ECWE0005	4	 COMPLETE CLOSURE SYSTEM		6	ECWE0002
ECWE0006	5	 COMPLETE CLOSURE SYSTEM WITH VIRO SYSTEM	●		—
WE240	7	FIAT (COMPLETE BOX)		8	WE210
WE260	9	6 mm SQUARE INSERT		10	WE263
WE265	11	7 mm SQUARE INSERT		12	WE268
WE270	13	6.5 mm TRIANGULAR INSERT		14	WE273
WE275	15	8 mm TRIANGULAR INSERT		16	WE278
WE375	17	SWIVEL T (WITH KEY)			—
WE378	18	WITH FINNS (WITH KEY)			—

FOR ENCLOSURES WITH LATCH CLOSURE


INSERT CODE	RIF.	DESCRIPTION	RIF.	KEY CODE
ECWE0007	1	RAL5020 BADGE WITHOUT LOGO		—
ECWE0008	2	BLACK BADGE WITHOUT LOGO		—
WE010	3	ROD OPERATION		—
WE080	14	FIAT	15	WE210
WE030	4	DOUBLE 3 mm FIN INSERT	5	WE160
WE040	6	DOUBLE 5 mm FIN INSERT	7	WE170
WE050	8	7 mm TRIANGULAR INSERT	9	WE180
WE060	10	8 mm TRIANGULAR INSERT	11	WE190
WE070	12	7 mm SQUARE INSERT	13	WE200
WE230	16	SWIVEL T WITH KEY		—



LOCKING SYSTEMS

Wide range of locking systems and inserts for enclosures with one or two locking points or latches. Standard lock cover*: RAL5020 with ETA logo.


* Black lock cover with ETA logo furnished standard for E COR enclosures with special finish.

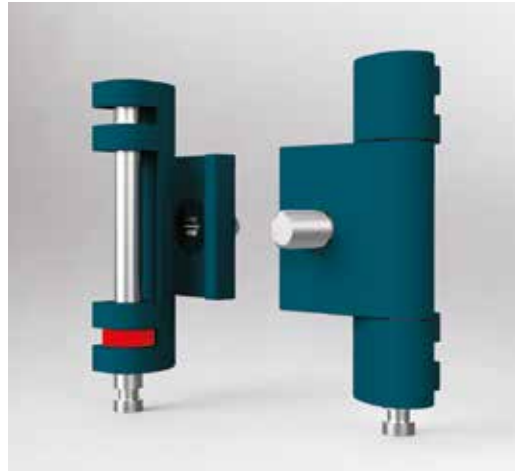
 Closure system complete with cover, 3 mm double-bit metal insert, plastic tab.

Boxes

180° HINGES ECCE0001

They allow the door to be opened to 180°. Manufactured in smooth RAL5020 painted aluminium alloy. Nr. 2 pieces complete with assembly accessories.

 For RAL9011 version, please order ECCE0002.



VIDEO
TUTORIAL

HINGE KIT ECTC0001

Made up from a small hammer and pliers for operation on the hinge pin (without it being removed completely from its seat thanks to the anti-pull seeger) and proceed with door wiring or inversion. Can be used on standard E COR hinges or hinges for 180° door opening.

HINGE REPLACEMENT KIT ECTC0002

Made up from hinge, pin, seeger and screws for assembly.

CROSS-PIECE

PRODUCT CODE	ENCLOS. B
ECTP0300	300
ECTP0400	400
ECTP0500	500
ECTP0600	600
ECTP0700	700
ECTP0800	800

DOOR CROSS-PIECE

Designed to facilitate the passage of cables or conduits. Made from sendzimir sheet steel with a 25 mm drilling distance and Ø 4.5 mm holes to be made in the door's vertical profiles. Nr. 10 pieces complete with mounting accessories.



19" RACK UPRIGHTS

Made from sendzimir sheet metal. Nr. 2 pieces complete with mounting accessories.




19" RACK UPRIGHTS

PRODUCT CODE	ENCLOSURE A	HE
ECMR0300	300	5
ECMR0400	400	8
ECMR0500	500	10
ECMR0600	600	13
ECMR0700	700	15
ECMR0800	800	17
ECMR1000	1000	22
ECMR1200	1200	26

DOOR STOP ECWA0001

Allows the door to be mechanically stopped at 90°, 100° or 110° (complying to the machining on the housing), in order to prevent accidental closure. Made from galvanised sheet steel. Single piece complete with mounting accessories.

 Enclosure and door machining required: indicate when ordering if requested from the supplier.



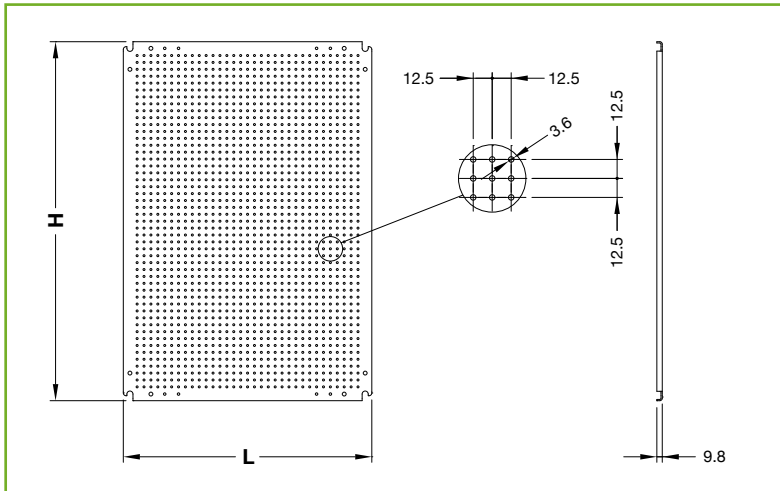


MOUNTING PLATE MICRO-PERFORATED

Made from sendzimir sheet steel.
Individual piece.

MOUNTING PLATE MICRO-PERFORATED

DIM. ENCLOSURE		PLATE CHARACTERISTICS		
B	A	CODE	L	H
200	300	ECPF020030	150	250
250	300	ECPF025030	200	250
300	300	ECPF030030	250	250
300	400	ECPF030040	250	350
300	500	ECPF030050	250	450
400	300	ECPF040030	350	250
400	400	ECPF040040	350	350
400	500	ECPF040050	350	450
400	600	ECPF040060	350	550
500	500	ECPF050050	450	450
500	600	ECPF050060	450	550
500	700	ECPF050070	450	650
600	400	ECPF060040	550	350
600	500	ECPF060050	550	450
600	600	ECPF060060	550	550
600	800	ECPF060080	550	750
600	1000	ECPF060100	550	950
600	1200	ECPF060120	550	1150
800	600	ECPF080060	750	550
800	800	ECPF080080	750	750
800	1000	ECPF080100	750	950
800	1200	ECPF080120	750	1150
800	1400	ECPF080140	750	1350
1000	800	ECPF100080	950	750
1000	1000	ECPF100100	950	950
1000	1200	ECPF100120	950	1150
1000	1400	ECPF100140	950	1350
1200	800	ECPF120080	1150	750
1200	1200	ECPF120120	1150	1150



Boxes

CROSS-PIECES

PRODUCT CODE	ENCLOS. P
ECTU0150	150
ECTU0200	200
ECTU0250	250
ECTU0300	300
ECTU0350	350
ECTU0400	400

CROSS-PIECES WITH UNIVERSAL DEPTH

Universal accessory for internal accessory depth adjustment at 25 mm intervals.
Made from sendzimir sheet steel.
Nr. 4 pieces complete with mounting accessories.

Direct mounting on the universal accessory installation brackets.
No need to machine the enclosure or weld additional stud bolts.



MOUNTING PLATE ADJUSTMENT BRACKET ECRP0001


Allows for 25 mm adjustment of the mounting plate.
Made from sendzimir sheet steel.
Nr. 10 pieces complete with mounting accessories.

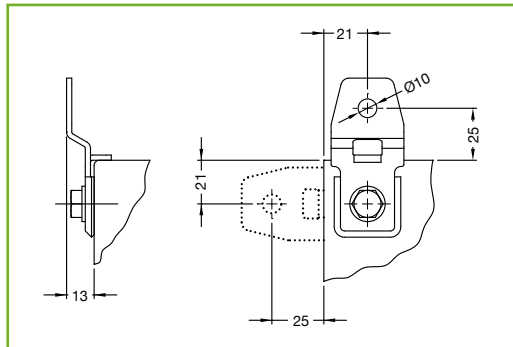
ECTU deep crosspieces are necessary for installation, and must be ordered separately.



WALL MOUNTING KIT ECSF0001

Made of zinc-coated sheet steel.
Nr. 4 pieces complete with mounting accessories.

 Brackets assembled from outside enclosure.




PROTECTIVE CANOPY

Particularly suitable for outdoor installations, where additional protection against atmospheric agents is required. Made from sheet steel.
Single piece complete with mounting accessories.

PAINTING

ETA standard finishing cycle: paint-based primer with deposition by cataphoresis with epoxy resin and finishing using thermosetting powders. Colour: RAL7035 textured.



 Enclosure machining required: indicate when ordering if requested from the supplier.

For outdoor applications, it is recommended to check with our team for the best technical solution (e.g. need for a special finishing cycle).



PROTECTIVE CANOPY

PRODUCT CODE	ENCLOSURE DIMENSION	
	B	P
ECTT040020	400	200
ECTT040025	400	250
ECTT050020	500	200
ECTT050025	500	250
ECTT060025	600	250
ECTT060030	600	300
ECTT080030	800	300

POLE MOUNTING KIT ECFP0001

For fastening the E COR enclosure to a pole with a round or rectangular cross-section. Cross-piece in galvanized sheet steel and collar clamp.

Nr. 2 cross-pieces and nr. 2 clamps complete with mounting accessories.



MICRO-SWITCH ECMC0001

Compliant with the IEC337-VDE0660 standards.
Single piece complete with micro-switch and fastening brackets.



ALUMINIUM WINDOW

Hinged window door manufactured with anodized aluminium structure and Plexiglass protection; it allows the internal components to be viewed to check operation. Pleasant aesthetics.


Simple assembly by replacement of the front door ECOR, with fixing on the same hinges. Double locking system diam. 3 mm, with possibility of replacing inserts.

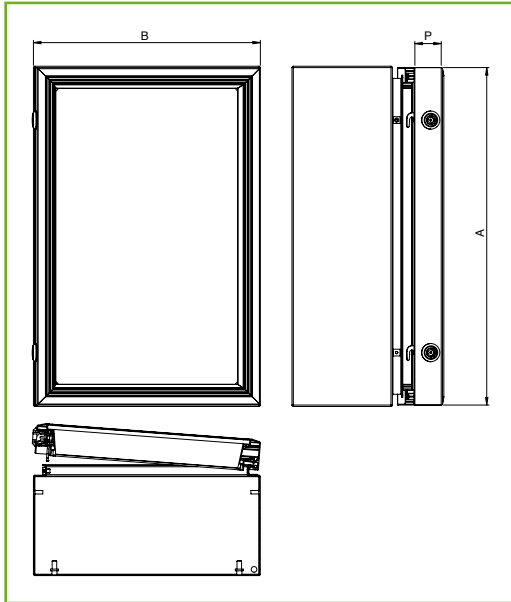
Accessory available on request, can be customised for dimensions (within the limits indicated in the table), H profile, transparent panel type (lexan or thermo-plast) and subject to m.o.q.

Nr. 1 piece complete with assembly accessories.

PROTECTION RATING

IP54 compliant with IEC EN62208; EN60529.

 Assembly directly on the casing without machining.



ALUMINIUM WINDOW

PRODUCT CODE	DIMENSIONS			CLEARANCE AVAILABLE
	B	A	P	
ECFA040040	400	400	30	326
ECFA040050	400	500	30	426
ECFA050070	500	700	30	626
ECFA060040	600	400	30	326
ECFA060060	600	600	30	522
ECFA060080	600	800	60	722
ECFA060120	600	1200	60	1122
ECFA080100	800	1000	60	922
ECFA080120	800	1200	60	1122

WINDOW WITH GLASS ECPV46306



Window max. external dim. L 460 x H 300 x D 60 mm manufactured in steel sheet with tempered glass internal clearance dim. L 310 x H 210 mm; locking system with wing knob.

Can be manufactured with special dimensions within the dimension limit indicated, with m.o.q. to be verified. Nr. 1 piece complete with assembly accessories.

PAINTING


ETA standard finishing cycle: paint-based primer with deposition by cataphoresis with epoxy resin and finishing using thermosetting powders. Colour: RAL7035 textured.

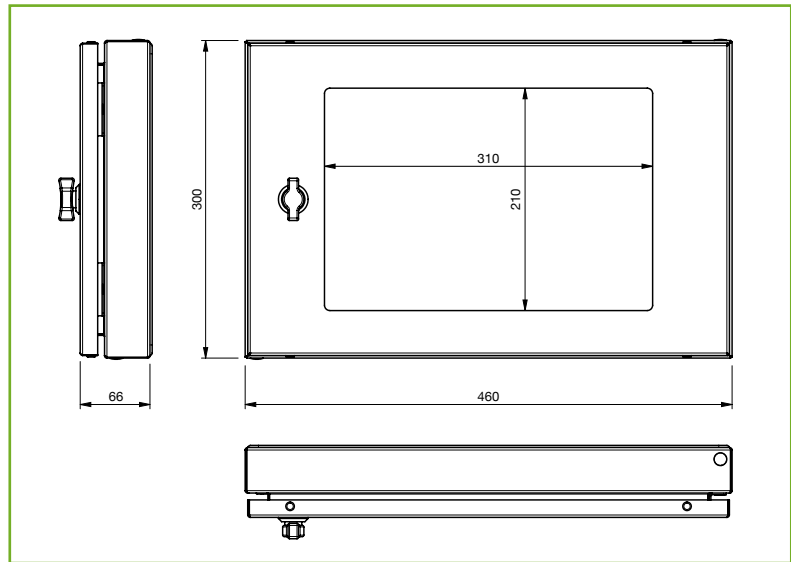


PROTECTION RATING

IP55 compliant with IEC EN62208 and EN60529.

Type 1, compliant with UL508A, UL50.

 Direct assembly on the door of casing with necessary machining, to be indicated in the order phase if required from the supplier.



Boxes



CABLE ENTRY PLATE SOLID / LOUVERED / PERFORATED

Made from sheet steel.
Single piece complete with mounting accessories.

PAINTING

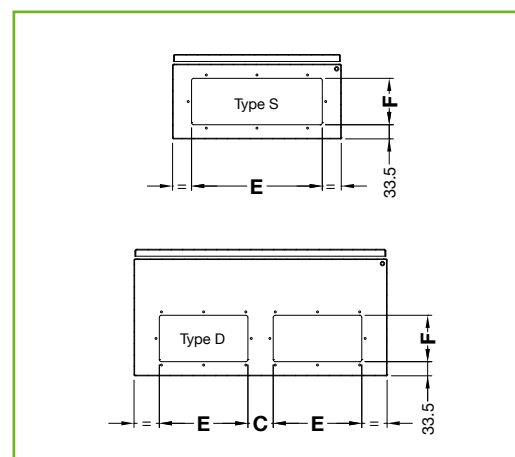
ETA standard finishing cycle: paint-based primer with deposition by cataphoresis with epoxy resin and finishing using thermosetting powders. Colour: RAL7035 textured.



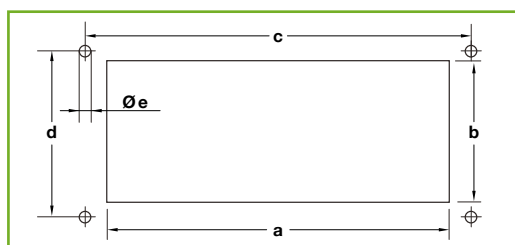
CABLE ENTRY PLATE

PRODUCT CODE			CABLE ENTRY		
SOLID VERSION	LOUVERED VERSION	PERFORATED VERSION	E	F	TYPE
ECIC0001	ECIA0001	ECIF0001	135	55	S
ECIC0002	ECIA0002	ECIF0002	210	55	S
ECIC0003	ECIA0003	ECIF0003	210	110	S
ECIC0004	ECIA0004	ECIF0004	310	110	S
Version with 2 spaces for flanges		ECIF0005	310	110	S
ECIC0003	ECIA0003	ECIF0003	210	110	D
ECIC0004	ECIA0004	ECIF0004	310	110	D
Version with 2 spaces for flanges		ECIF0005	310	110	D

ECIF and holes as per drawing and table below.



Boxes



ECRM0000



ECRM0012



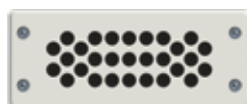
ECRM0014



ECRM0022



ECRM0023



ECRM0029

CABLE ENTRY FLANGE

PRODUCT CODE	CABLE ENTRIES NR.	DIAMETERS	EXTERNAL DIM.			HOLE DIMENSIONS				
			B	A	P	a	b	c	d	e
ECRM0000	0									
ECRM0012	12	5,0 - 13,5								
ECRM0014	14	5,0 - 11,5								
ECRM0022	22	16 holes for 3,0 - 6,5 4 holes for 5,0 - 9,2 2 holes for 8,0 - 12,5	148	60	13,5	112	36	130	32	5
ECRM0023	23	4,0 - 8,5								
ECRM0029	29	4,0 - 7,0								

CABLE ENTRY FLANGE

CHARACTERISTICS AND COMPOSITION

The ECRM type cable entry flange is designed for simple and safe cables passage:

- A valid alternative for boxes in which the space on the casing is limited.
- The ultra-flexible entry mode supplies protection for a wide range of cables/diameters (from 5.0 to 13.0 mm).
- Special design of the rear sealing plate.
- Special adherence even if cables are removed.
- Used on the ECIF cables entry plate or fixed directly onto the E COR casing.
- Simple click&fit assembly or fixing with the aid of screws (not supplied).

Material:

- Frame: PA reinforced with glass fibre.
 - Cable entry protection membrane: Butyl Rubber.
 - Spacer: chloroprene.
 - Protective membrane: polyurethane.
 - Gasket: silicone or polyurethane.
- Temperature: -40 C +80 C. Colour: RAL7035.

PROTECTION RATING

IP65 compliant with IEC EN62208 and EN60529.
Type 12, 13, 4X compliant with UL508A, UL50 (4X covers all diameters greater than 5.0 mm up to a specific maximum diameter).

DEGREE OF FLAMMABILITY

HB compliant with UL94.



UNIVERSAL PLINTH

CHARACTERISTICS AND COMPOSITION

Plinth made up of 2 front cross-pieces 2 lateral cross-pieces with integrated corner piece made from sheet steel.

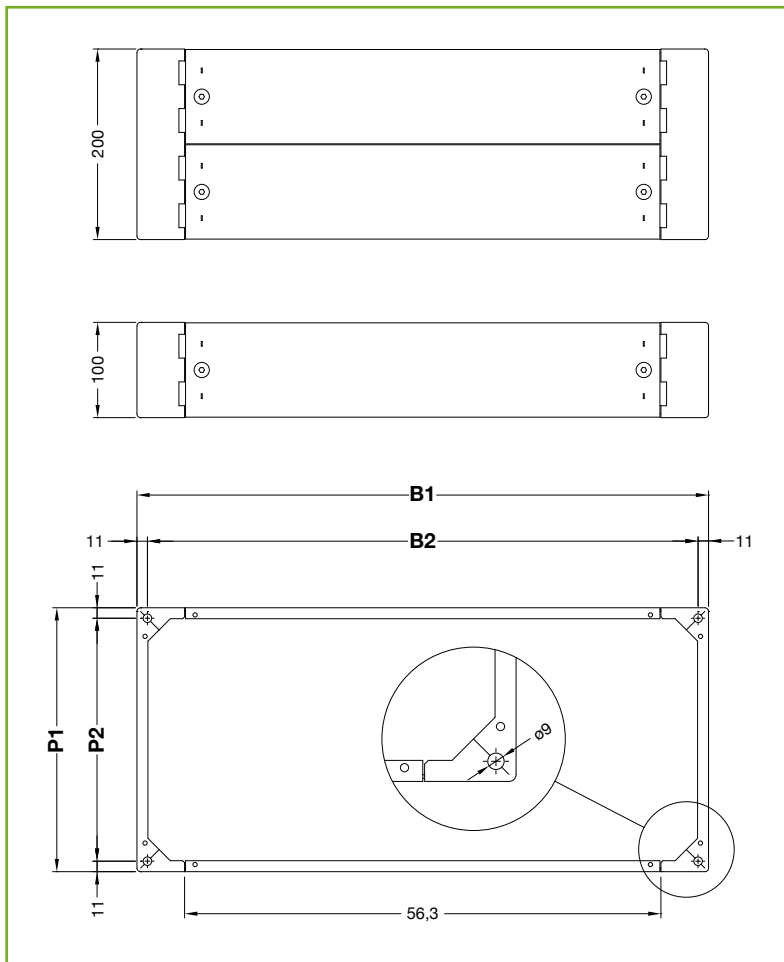
To order, select the pack of front crosspieces (2 pcs) and the pack of lateral crosspieces (2 pcs), including the mounting hardware.

PAINTING

ETA standard finishing cycle: paint-based primer with deposition by cataphoresis with epoxy resin and finishing using thermosetting powders. Colour: RAL5020 textured.



Enclosure machining required: indicate when ordering if requested from the supplier.



MODULAR PLINTH

ENCLOSURE		BASE				
B	P	B1	B2	B3	P1	P2
600	300	600	578	500	277	255
600	350	600	578	500	327	305
600	400	600	578	500	377	355
800	300	800	778	700	277	255
800	400	800	778	700	377	355
1000	300	1000	978	900	277	255
1200	300	1200	1178	1100	277	255

SIDE CROSS-PIECES WITH INTEGRATED CORNER PIECE

PRODUCT CODE	P	H
ECZP030010	300	100
ECZP035010	350	100
ECZP040010	400	100
ECZP030020	300	200
ECZP035020	350	200
ECZP040020	400	200

FRONTAL CROSS-PIECES

PRODUCT CODE	B	H
ECZP0600	600	100
ECZP0800	800	100
ECZP1000	1000	100
ECZP1200	1200	100

For plinth H=200, order 2 packs of frontal crosspieces.

Boxes



CHARACTERISTICS

Box and lid manufactured from sheet steel. Box provided with holes for fixing optional hinges and lid fixed with captive screws.

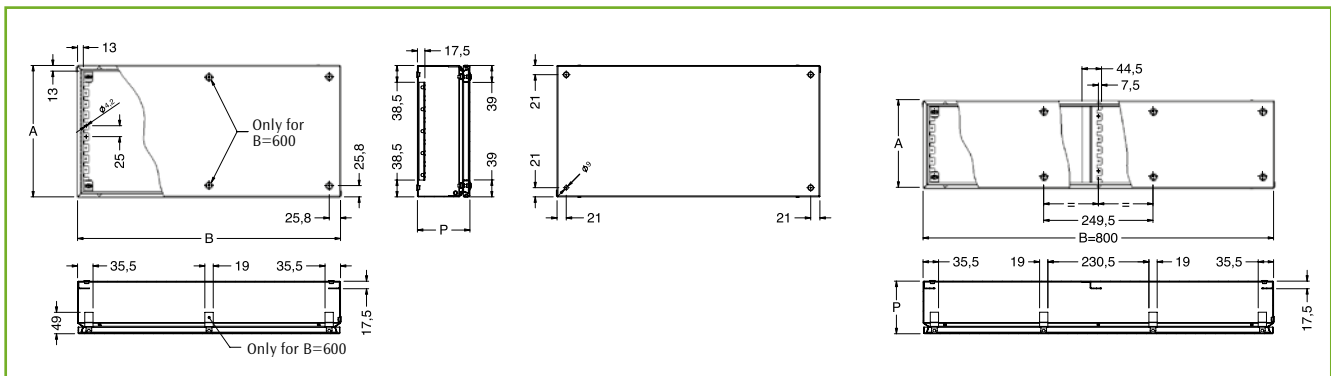
PAINT FINISH

ETA standard finishing cycle: paint-based primer with deposition by cataphoresis with epoxy resin and finishing using thermosetting powders. Colour: RAL 7035 textured finish.



PROTECTION RATING

- IP66 complying with IEC EN62208; EN62262
- NEMA 4 complying with UL508A; UL50
- protection degree guaranteed by the two-component polyurethane foam seal
- impact resistance IK10 complying with IEC EN62208; EN62262.



Boxes

TERMINAL BOXES

SDV CODE	DIMENSIONS		
	B	A	P
SDV1108	150	150	80
SDV2208	200	200	80
SDV3208	300	200	80
SDV4208	400	200	80
SDV5208	500	200	80
SDV6208	600	200	80
SDV8208	800	200	80
SDV1112	150	150	120
SDV2212	200	200	120
SDV3112	300	150	120
SDV3212	300	200	120
SDV3312	300	300	120
SDV4212	400	200	120
SDV4312	400	300	120
SDV4412	400	400	120
SDV5212	500	200	120
SDV5312	500	300	120
SDV6212	600	200	120
SDV6312	600	300	120
SDV6412	600	400	120
SDV8212	800	200	120
SDV8412	800	400	120

To be ordered separately: mounting plate and/or DIN rails.



CHARACTERISTICS

Box and lid manufactured from sheet steel. Box provided with holes for fixing hinges and gland plates complete with gasket; lid fixed with captive screws.

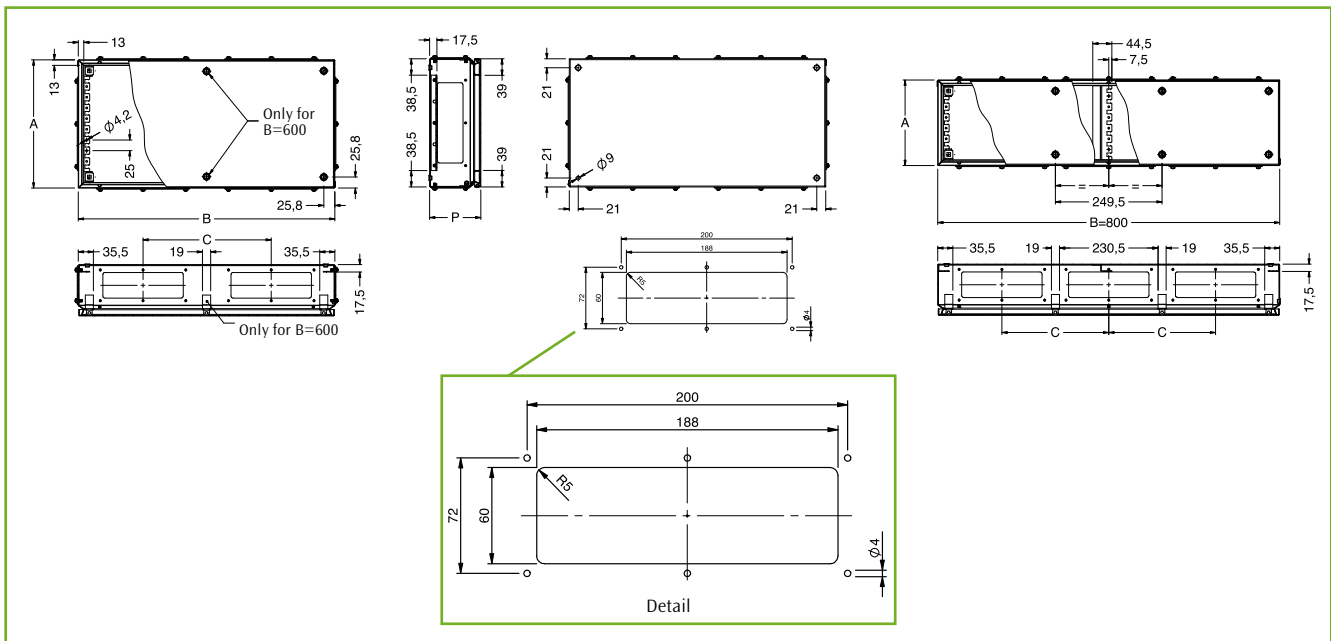
PAINT FINISH

ETA standard finishing cycle: paint-based primer with deposition by cataphoresis with epoxy resin and finishing using thermosetting powders. Colour: RAL 7035 textured finish.



PROTECTION RATING

- IP66 complying with IEC EN62208; EN62262
- NEMA 4 complying with UL508A; UL50
- protection degree guaranteed by the two-component polyurethane foam seal
- impact resistance IK10 complying with IEC EN62208; EN62262.



Boxes

TERMINAL BOXES WITH GLAND PLATES

SDF CODE	DIMENSIONS				TOTAL NUMBER GLAND PLATES	NUMBER OF GLAND PLATES	
	B	A	C	P		SIDE "B"	SIDE "A"
SDF3212	300	200	-	120	2	2	-
SDF3312	300	300	-	120	4	2	2
SDF4212	400	200	-	120	2	2	-
SDF4312	400	300	-	120	4	2	2
SDF4412	400	400	-	120	4	2	2
SDF5212	500	200	130	120	4	4	-
SDF5312	500	300	130	120	6	4	2
SDF6212	600	200	150	120	4	4	-
SDF6312	600	300	150	120	6	4	2
SDF6412	600	400	150	120	6	4	2
SDF8212	800	200	150	120	6	6	-
SDF8412	800	400	150	120	8	6	2

To be ordered separately: mounting plate and/or DIN rails.



CHARACTERISTICS

Box and lid manufactured from sheet steel. Hinged lid with captive screws and provided with plexiglas for internal inspection.

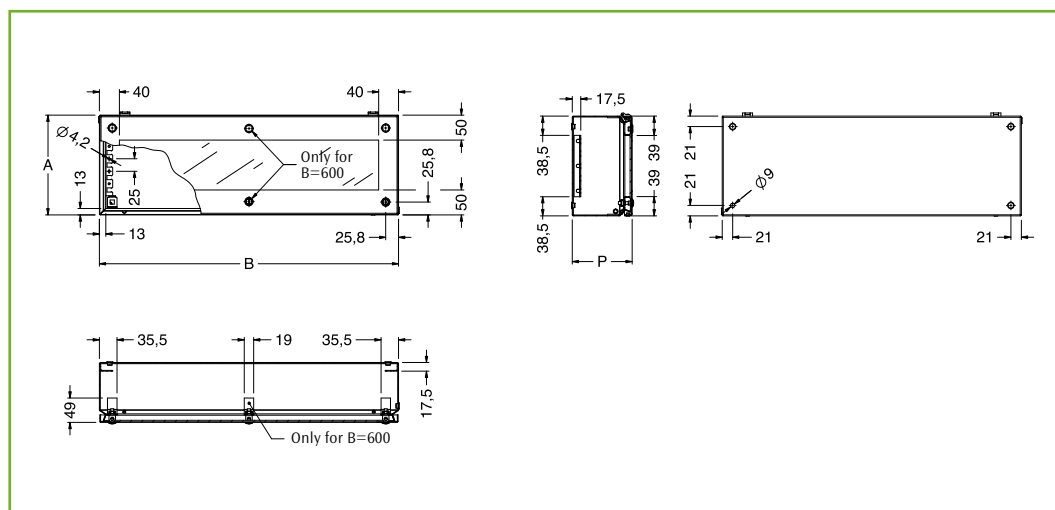
PAINT FINISH

ETA standard finishing cycle: paint-based primer with deposition by cataphoresis with epoxy resin and finishing using thermosetting powders. Colour: RAL 7035 textured finish.



PROTECTION RATING

- IP55 complying with IEC EN62208; EN62262
- impact resistance IK10 complying with IEC EN62208; EN62262.



Boxes

TERMINAL BOXES WITH TRANSPARENT LID

SDVX CODE	DIMENSIONS		
	B	A	P
SDVX4212	400	200	120
SDVX6212	600	200	120

To be ordered separately: mounting plate and/or DIN rails (refer to page 179).



CHARACTERISTICS

Box and lid manufactured from sheet steel. Hinged lid with captive screws and provided with plexiglas for internal inspection.

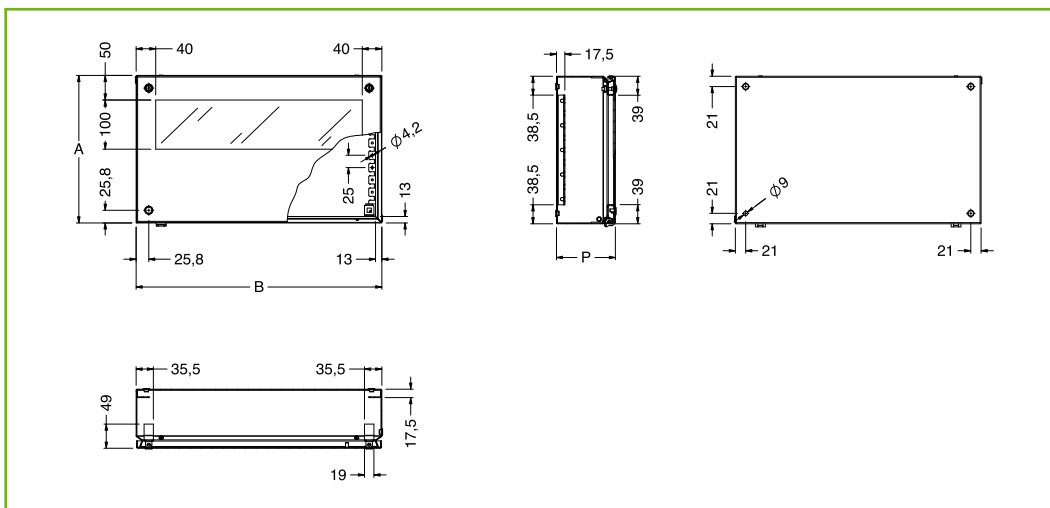
PAINT FINISH

ETA standard finishing cycle: paint-based primer with deposition by cataphoresis with epoxy resin and finishing using thermosetting powders. Colour: RAL 7035 textured finish.



PROTECTION RATING

- IP55 complying with IEC EN62208; EN62262
- impact resistance IK10 complying with IEC EN62208; EN62262.



Boxes

TERMINAL BOX FOR BUS SYSTEMS

SDVX CODE	DIMENSIONS		
	B	A	P
SDVX5312B	500	300	120

To be ordered separately: mounting plate and/or DIN rails (refer to page 179).



CHARACTERISTICS

Box manufactured from sheet steel. Door manufactured from sheet steel with \varnothing 3mm double bar key locking system.

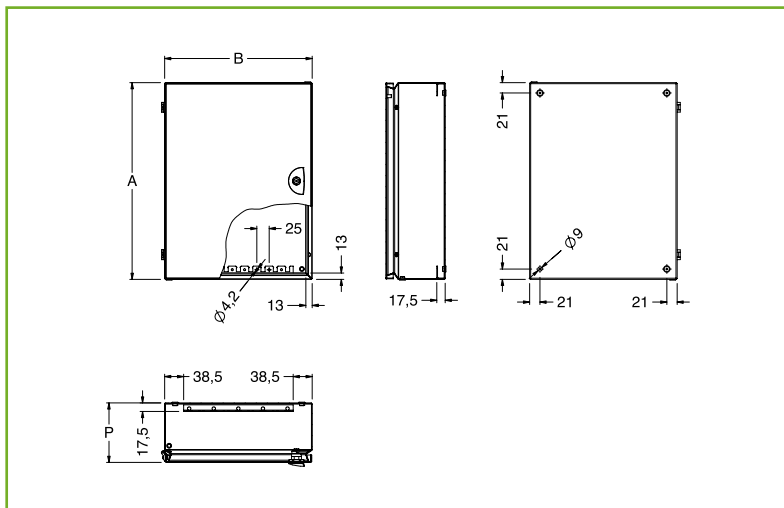
PAINT FINISH

ETA standard finishing cycle: paint-based primer with deposition by cataphoresis with epoxy resin and finishing using thermosetting powders. Colour: RAL 7035 textured finish.



PROTECTION RATING

- IP55 complying with IEC EN62208; EN62262
- impact resistance IK10 complying with IEC EN62208; EN62262.



Boxes

TERMINAL BOXES WITH DOOR

SDP CODE	DIMENSIONS		
	B	A	P
SDP2208	200	200	80
SDP2308	200	300	80
SDP2408	200	400	80
SDP2212	200	200	120
SDP2312	200	300	120
SDP2412	200	400	120
SDP2512	200	500	120
SDP3312	300	300	120
SDP3412	300	400	120

To be ordered separately: mounting plate and/or DIN rails (refer to page 179).

MOUNTING PLATE SDPA

CHARACTERISTICS

Manufactured from 2.0 mm thick sendzimir sheet steel.

SUPPLY

Includes 1 piece.



MOUNTING PLATE				
SDPA CODE	BOX DIM.		MOUN. PLATE DIM.	
	WIDTH	HEIGHT	W	H
SDPA-11	150	150	126	120
SDPA-22	200	200	176	170
SDPA-31	300	150	276	120
SDPA-32	300	200	276	170
SDPA-33	300	300	276	270
SDPA-42	400	200	376	170
SDPA-43	400	300	376	270
SDPA-44	400	400	376	370
SDPA-52	500	200	476	170
SDPA-53	500	300	476	270
SDPA-62	600	200	576	170
SDPA-63	600	300	576	270
SDPA-64	600	400	576	370
SDPA-82	800	200	776	170
SDPA-84	800	400	776	370

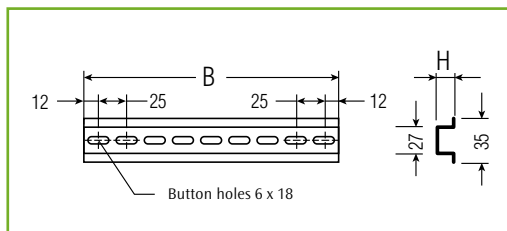
INNER RAILS SDWA

CHARACTERISTICS

Manufactured from sendzimir sheet steel bars.

SUPPLY

Includes 10 pieces.



INNER RAILS			
SDWA CODE	BOX WIDTH	B	H
SDWA-013	150	125	7,5
SDWA-015	200	175	7,5
SDWA-020	300	275	7,5
SDWA-025	400	375	7,5
SDWA-030	500	475	7,5
SDWA-035	600	575	15
SDWA-040	800	775	15

Boxes

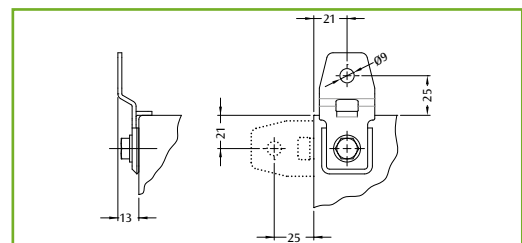
WALL MOUNTING BRACKETS SDWC-010

CHARACTERISTICS

Manufactured from zincpassivated sheet steel.

SUPPLY

Includes 4 pieces.



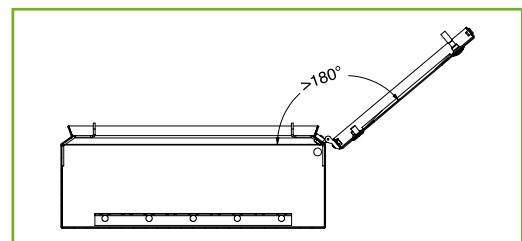
HINGES SDWA-005

CHARACTERISTICS

Manufactured from white zincpassivated alloy.

SUPPLY

Includes 6 pieces with mounting accessories.





For any requirement following your purchase order, the spare parts listed in the table can be ordered.

SPARE PARTS - E COR SHEET STEEL

DIMENSIONS			SINGLE BLANK DOOR	DOUBLE BLANK DOOR		TRANSPARENT DOOR	SCREWED PANEL	MOUNTING PLATE	CABLES ENTRY PLATE		
L	H	P		STOPPED WITH LOCK	WITH STOPPING DEVICE				SOLID	LOUVERED	DRILLED
200	300	150	ECPO020030	-	-	-	ECPN020030	ECPA020030	ECIC0001	ECIA0001	ECIF0001
250	300	150	ECPO025030	-	-	-	ECPN025030	ECPA025030	ECIC0001	ECIA0001	ECIF0001
300	300	150	ECPO030030	-	-	-	ECPN030030	ECPA030030	ECIC0002	ECIA0002	ECIF0002
300	300	200	ECPO030030	-	-	-	ECPN030030	ECPA030030	ECIC0003	ECIA0003	ECIF0003
300	400	150	ECPO030040	-	-	-	ECPN030040	ECPA030040	ECIC0002	ECIA0002	ECIF0002
300	400	200	ECPO030040	-	-	-	ECPN030040	ECPA030040	ECIC0003	ECIA0003	ECIF0003
300	500	150	ECPO030050	-	-	-	ECPN030050	ECPA030050	ECIC0002	ECIA0002	ECIF0002
300	500	200	ECPO030050	-	-	-	ECPN030050	ECPA030050	ECIC0003	ECIA0003	ECIF0003
400	300	150	ECPO040030	-	-	ECPV040030	ECPN040030	ECPA040030	ECIC0002	ECIA0002	ECIF0002
400	300	200	ECPO040030	-	-	ECPV040030	ECPN040030	ECPA040030	ECIC0004	ECIA0004	ECIF0004
400	400	200	ECPO040040	-	-	ECPV040040	ECPN040040	ECPA040040	ECIC0004	ECIA0004	ECIF0004
400	500	150	ECPO040050	-	-	ECPV040050	ECPN040050	ECPA040050	ECIC0002	ECIA0002	ECIF0002
400	500	200	ECPO040050	-	-	ECPV040050	ECPN040050	ECPA040050	ECIC0004	ECIA0004	ECIF0004
400	500	250	ECPO040050	-	-	ECPV040050	ECPN040050	ECPA040050	ECIC0004	ECIA0004	ECIF0004
400	600	200	ECPO040060	-	-	ECPV040060	ECPN040060	ECPA040060	ECIC0004	ECIA0004	ECIF0004
400	600	250	ECPO040060	-	-	ECPV040060	ECPN040060	ECPA040060	ECIC0004	ECIA0004	ECIF0004
400	600	300	ECPO040060	-	-	ECPV040060	ECPN040060	ECPA040060	ECIC0004	ECIA0004	ECIF0004
400	600	350	ECPO040060	-	-	ECPV040060	ECPN040060	ECPA040060	ECIC0004	ECIA0004	ECIF0004
400	600	400	ECPO040060	-	-	ECPV040060	ECPN040060	ECPA040060	ECIC0004	ECIA0004	ECIF0004
500	500	200	ECPO050050	-	-	-	ECPN050050	ECPA050050	ECIC0004	ECIA0004	ECIF0004
500	500	250	ECPO050050	-	-	-	ECPN050050	ECPA050050	ECIC0004	ECIA0004	ECIF0004
500	500	300	ECPO050050	-	-	-	ECPN050050	ECPA050050	ECIC0004	ECIA0004	ECIF0004
500	600	150	ECPO050060	-	-	-	ECPN050060	ECPA050060	ECIC0002	ECIA0002	ECIF0002
500	700	200	ECPO050070	-	-	ECPV050070	ECPN050070	ECPA050070	ECIC0004	ECIA0004	ECIF0004
500	700	250	ECPO050070	-	-	ECPV050070	ECPN050070	ECPA050070	ECIC0004	ECIA0004	ECIF0004
600	400	200	ECPO060040	-	-	ECPV060040	ECPN060040	ECPA060040	ECIC0003	ECIA0003	ECIF0003*
600	400	300	ECPO060040	-	-	ECPV060040	ECPN060040	ECPA060040	ECIC0003	ECIA0003	ECIF0003*
600	600	200	ECPO060060	-	-	ECPV060060	ECPN060060	ECPA060060	ECIC0003	ECIA0003	ECIF0003*
600	600	250	ECPO060060	-	-	ECPV060060	ECPN060060	ECPA060060	ECIC0003	ECIA0003	ECIF0003*
600	600	300	ECPO060060	-	-	ECPV060060	ECPN060060	ECPA060060	ECIC0003	ECIA0003	ECIF0003*
600	600	350	ECPO060060	-	-	ECPV060060	ECPN060060	ECPA060060	ECIC0003	ECIA0003	ECIF0003*
600	600	400	ECPO060060	-	-	ECPV060060	ECPN060060	ECPA060060	ECIC0003	ECIA0003	ECIF0003*
600	800	200	ECPO060080	-	-	ECPV060080	ECPN060080	ECPA060080	ECIC0003	ECIA0003	ECIF0003*
600	800	250	ECPO060080	-	-	ECPV060080	ECPN060080	ECPA060080	ECIC0003	ECIA0003	ECIF0003*
600	800	300	ECPO060080	-	-	ECPV060080	ECPN060080	ECPA060080	ECIC0003	ECIA0003	ECIF0003*
600	800	350	ECPO060080	-	-	ECPV060080	ECPN060080	ECPA060080	ECIC0003	ECIA0003	ECIF0003*
600	800	400	ECPO060080	-	-	ECPV060080	ECPN060080	ECPA060080	ECIC0003	ECIA0003	ECIF0003*
600	1000	250	ECPO060100	-	-	ECPV060100	-	ECPA060100	ECIC0003	ECIA0003	ECIF0003*
600	1000	300	ECPO060100	-	-	ECPV060100	-	ECPA060100	ECIC0003	ECIA0003	ECIF0003*
600	1000	350	ECPO060100	-	-	ECPV060100	-	ECPA060100	ECIC0003	ECIA0003	ECIF0003*
600	1000	400	ECPO060100	-	-	ECPV060100	-	ECPA060100	ECIC0003	ECIA0003	ECIF0003*
600	1200	300	ECPO060120	-	-	ECPV060120	-	ECPA060120	ECIC0003	ECIA0003	ECIF0003*
800	600	300	-	ECPO080060I	ECPO080060C	-	-	ECPA080060	ECIC0004	ECIA0004	ECIF0004
800	800	300	ECPO080080	-	-	ECPV080080	ECPN080080	ECPA080080	ECIC0004	ECIA0004	ECIF0004
800	800	400	ECPO080080	-	-	ECPV080080	ECPN080080	ECPA080080	ECIC0004	ECIA0004	ECIF0004
800	1000	250	ECPO080100	-	-	ECPV080100	-	ECPA080100	ECIC0004	ECIA0004	ECIF0004
800	1000	300	ECPO080100	-	-	ECPV080100	-	ECPA080100	ECIC0004	ECIA0004	ECIF0004
800	1000	400	ECPO080100	-	-	ECPV080100	-	ECPA080100	ECIC0004	ECIA0004	ECIF0004
800	1200	300	ECPO080120	-	-	ECPV080120	-	ECPA080120	ECIC0004	ECIA0004	ECIF0004
800	1200	400	ECPO080120	-	-	ECPV080120	-	ECPA080120	ECIC0004	ECIA0004	ECIF0004
1000	800	200	-	ECPO100080I	ECPO100080C	-	-	ECPA100080	ECIC0004	ECIA0004	ECIF0004
1000	800	300	-	ECPO100080I	ECPO100080C	-	-	ECPA100080	ECIC0004	ECIA0004	ECIF0004
1000	1000	300	-	ECPO100100I	ECPO100100C	-	-	ECPA100100	ECIC0004	ECIA0004	ECIF0004
1000	1200	300	-	ECPO100120I	ECPO100120C	-	-	ECPA100120	ECIC0004	ECIA0004	ECIF0004
1200	1000	300	-	ECPO120100I	ECPO120100C	-	-	ECPA120100	ECIC0004	ECIA0004	ECIF0004
1200	1200	300	-	ECPO120120I	ECPO120120C	-	-	ECPA120120	ECIC0004	ECIA0004	ECIF0004

Boxes

Option: *
ECIF0005
with 2 spaces
for flanges

A INDUSTRIAL AUTOMATION

- 1** AUTOMOTIVE
- 2** FOOD & BEVERAGE
- 3** PACKAGING
- 4** OIL & GAS
- 5** HANDLING & LOGISTIC
- 6** PHARMA
- 7** WATER & WASTEWATER
- 8** MARINE & OFFSHORE

B DATA NETWORKING

- 1** NETWORKING
- 2** DATA CENTER
- 3** SMART BUILDING

C COMMERCIAL

- 1** MONITORING & SECURITY
- 2** COMMERCIAL BUILDING
- 3** INFRASTRUCTURE
- 4** HVAC

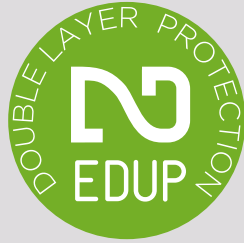
D ENERGY MANAGEMENT

- 1** RENEWABLE
- 2** SMART CITY
- 3** LV DISTRIBUTION
- 4** ENERGY STORAGE

CONTROL DESK

A1 A3 A5 A7 C4 D1

E NUX DESK CABINETS
MODULAR CONTROL DESKS
MONOBLOC CONTROL DESKS



**ETA, the first world-wide producer
to use the cataphoresis process
in electrical panel painting**



Control desk

CONTROL DESK SOLUTIONS

FEATURES

Three types of solutions to meet various application needs:

- enclosures with control desk based on E NUX system: with upper and lower door, and an halfway zone for a panel or a front shelf mounting, available assembled or in flat-pack version. This solution proposes the concept of vertical modularity that is typical of E NUX PC solutions: in addition to the E NUX structure, there's the front frame with an height that is contained in 1400 mm to ensure a good visual control of the area that has to be supervised. Available in four widths and in two depths, the range is compatible with the standard accessories of the E NUX system
- modular desks with 400 and 500 mm depth, formed by a series of elements: an AE base, two types of shelf (ME or LE) and an upper part (PE). The flexible use of the components solves the various needs based on usage and final installation
- monobloc desks to be used in easier conditions and for simpler applications: available in two versions – SBA with rear door and an adjustable in depth mounting plate, ZBA with solid rear panel and a mounting plate that is screwed on the inside rear cover – to offer a technical solution, which is always adapted to the needs of the customer.





Control desk

CHARACTERISTICS

E NUX structure and adjustable cable entry bottom manufactured from high-strength low-alloy sheet steel with rear panel with folded sides and removable roof manufactured from sheet steel. Front frame EU-AL and roof with extension manufactured from sheet steel. Upper door manufactured from sheet steel with sendzimir profiles with mechanical stop and Ø 3 mm double bar locking system. Lower door manufactured from sheet steel with reinforcing profiles, rod mechanism and Ø 3 mm double bar locking system.

PAINT FINISH

ETA standard finishing cycle: paint-based primer with deposition by cataphoresis with epoxy resin and finishing using thermosetting powders:

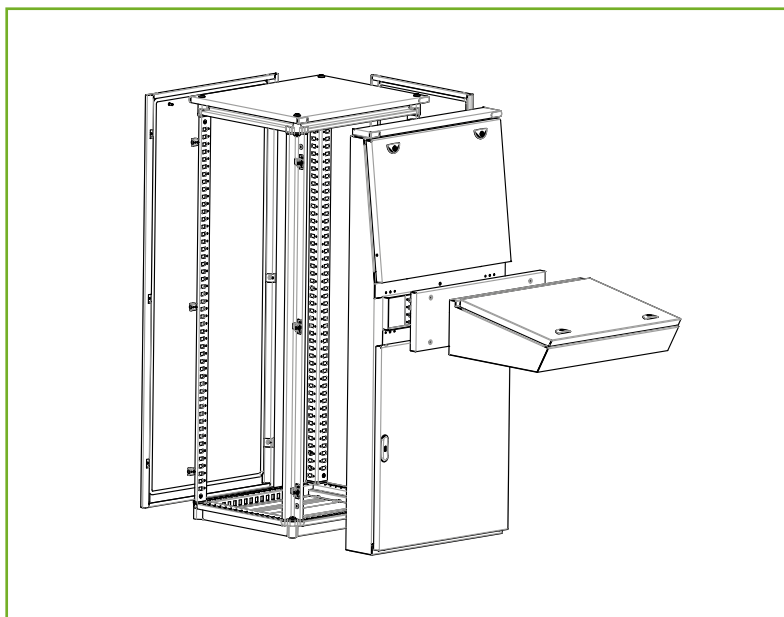
- structure: colour RAL 7035 smooth finish
- EUAL front, rear door or panel: colour RAL 7035 textured finish
- roof: colour RAL 5020 textured finish.

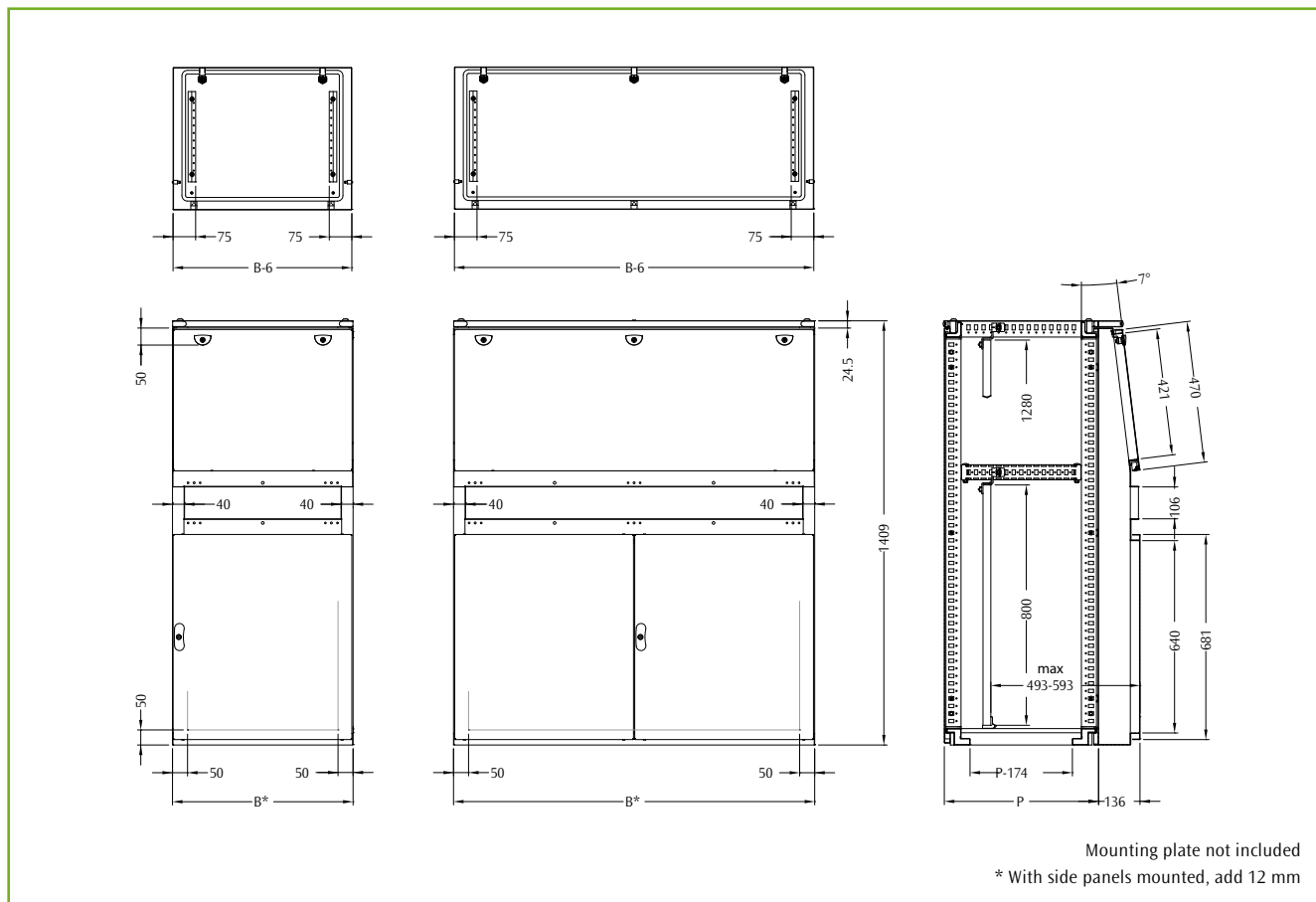
SUPPLY

- E NUX structure with rear door or panel (assembled or in kit) and EUAL front frame complete with upper and lower doors
- to complete the configuration of the front, it shall be ordered separately the EUME shelf or the EUPN front panel
- supply includes adhesive gasket and mounting accessories.

PROTECTION RATING

- IP55 complying with IEC EN62208; EN62262
- impact resistance IK10 complying with IEC EN62208; EN62262.





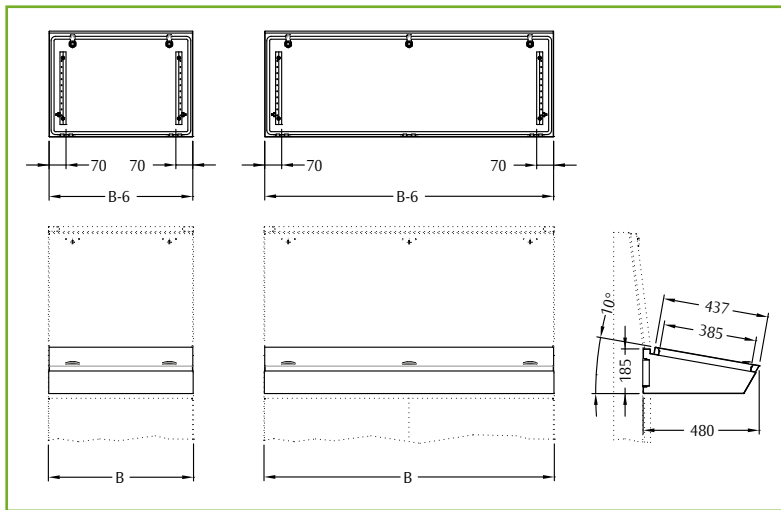
DESK CABINET E NUX

DIMENSIONS			CABINET DIM.		FLAT-PACK VERSION				ASSEMBLED VERSION	
WIDTH	HEIGHT	DEPTH	B	P	TOP + BOTTOM	EUAL FRONT STR. + STR. UPRIGHTS	REAR DOOR + UPRIGHTS	REAR PANEL + UPRIGHTS	E NUX AL WITH REAR DOOR	E NUX AL WITH REAR PANEL
600	1400	400	600	414	EUTF060040	EUAL060140	EUPO060140	EURE060140	EUAL061404FP	EUAL061404FR
800	1400	400	800	414	EUTF080040	EUAL080140	EUPO080140	EURE080140	EUAL081404FP	EUAL081404FR
1200	1400	400	1200	414	EUTF120040	EUAL120140	EUPO120140	EURE120140	EUAL121404FP	EUAL121404FR
1600	1400	400	1600	414	EUTF160040	EUAL160140	EUPO160140	EURE160140	EUAL161404FP	EUAL161404FR
600	1400	500	600	514	EUTF060050	EUAL060140	EUPO060140	EURE060140	EUAL061405FP	EUAL061405FR
800	1400	500	800	514	EUTF080050	EUAL080140	EUPO080140	EURE080140	EUAL081405FP	EUAL081405FR
1200	1400	500	1200	514	EUTF120050	EUAL120140	EUPO120140	EURE120140	EUAL121405FP	EUAL121405FR
1600	1400	500	1600	514	EUTF160050	EUAL160140	EUPO160140	EURE160140	EUAL161405FP	EUAL161405FR

Control desk

Complete in the order:

- with EUME shelf or EUPN panel - page 198
- with side panels EUFI040140 (dim 400x1400) or EUFI050140 (dim 500 x 1400) - page 58
- if necessary with mounting plate EUPR (page 53) / EUPA (page 49)



SHELF EUME

CHARACTERISTICS

Structure manufactured sheet steel. Upper panel manufactured from sheet steel with Ø 3 mm double bar locking system, sendzimir rails and gas springs to avoid accidental closing.

PAINT FINISH

ETA standard finishing cycle: paint-based primer with deposition by cataphoresis with epoxy resin and finishing using thermosetting powders. Colour: RAL 7035 textured finish.

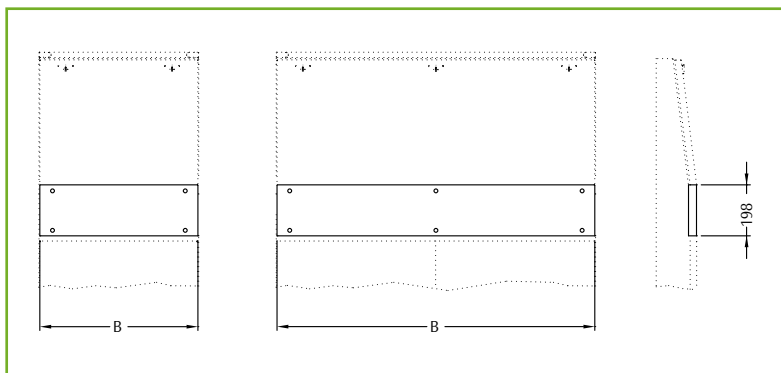


SUPPLY

- Enclosure with:
- upper panel
 - sealing gasket
 - mounting accessories.

SHELF		
EUME CODE	CABINET WIDTH	B
EUME000600AL	600	600
EUME000800AL	800	800
EUME001200AL	1200	1200
EUME001600AL	1600	1600

Control desk



PANEL EUPN

CHARACTERISTICS

Manufactured from sheet steel.

PAINT FINISH

ETA standard finishing cycle: paint-based primer with deposition by cataphoresis with epoxy resin and finishing using thermosetting powders. Colour: RAL 7035 textured finish.



SUPPLY

Includes 1 piece with mounting accessories.

PANEL		
EUPN CODE	CABINET WIDTH	B
EUPN000600	600	594
EUPN000800	800	794
EUPN001200	1200	1194
EUPN001600	1600	1594

**FRONT INSERTED MOUNTING PLATE
EUPR/EUPA**

Manufactured from sendzimir sheet steel.
For L>1400: mounting plate manufactured with two parts with horizontal union and stiffening omega.

To be ordered separately: mounting plate kit WTKB-002.

For the mounting plate H=800, in depth profile WTPR and mounting accessories WTSF-001CP have to be ordered separately.

PROFILES	
WTPR CODE	CABINET DEPTH
WTPR-050040CP	400
WTPR-050050CP	500

MOUNTING PLATE			
EUPR / EUPA CODE	CABINET WIDTH	MOUNTING PLATE DIMENSIONS	
		L	H
EUPR-060080	600	485	800
EUPR-080080	800	685	800
EUPR-120080	1200	1085	800
EUPR-160080	1600	1485	800
EUPA-060140	600	485	1280
EUPA-080140	800	685	1280
EUPA-120140	1200	1085	1280
EUPA-160140	1600	1485	1280



MODULAR PLINTH EUZE

CHARACTERISTICS

Corner pieces manufactured from press bent sheet steel, with PVC front covers caps. Front and side crosspieces manufactured from press bent sheet steel.

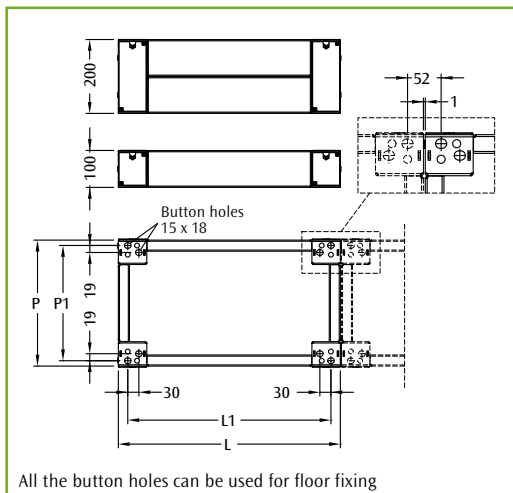
PAINT FINISH

ETA standard finishing cycle: paint-based primer with deposition by cataphoresis with epoxy resin and finishing using thermosetting powders. Colour: RAL 5020 textured finish.



SUPPLY

- The modular plinth is made up of:
- corner pieces: supply includes 4 pieces complete with front covers and mounting hardware
 - front/rear crosspieces: supply includes 2 pieces
 - side crosspieces: supply includes 2 pieces.



UNIVERSAL CORNER PIECES	
EUZE CODE	DESCRIPTION
EUZE-A100	CORNER PIECES FOR PLINTH H=100
EUZE-A200	CORNER PIECES FOR PLINTH H=200

Supply includes 4 pieces with mounting accessories.

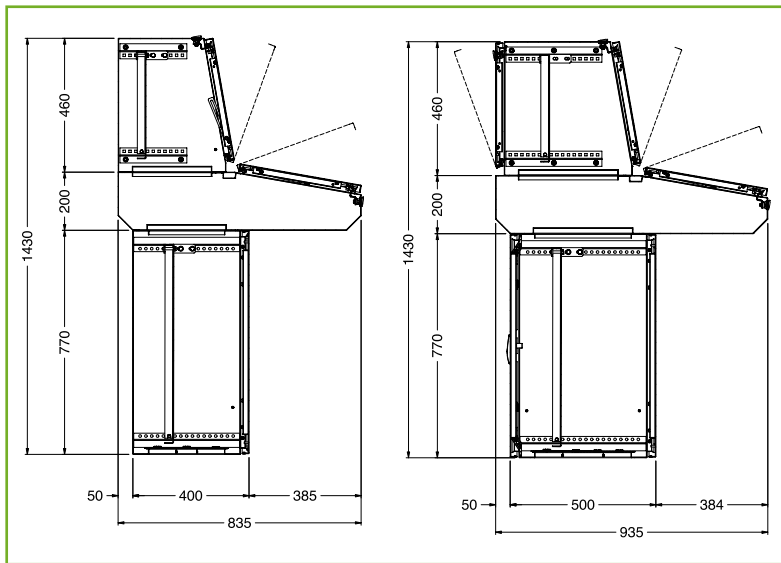
SIDE CROSSPIECES FOR EUAL		
EUZE CODE	DESCRIPTION	CROSS. LENGTH MM
EUZE-T0400T	PLINTH CROSSPIECES D=400	369
EUZE-T0500T	PLINTH CROSSPIECES D=500	469

FRONT CROSSPIECES		
EUZE CODE	DESCRIPTION	CROSS. LENGTH MM
EUZE-T0600	PLINTH CROSSPIECES W=600	444
EUZE-T0800	PLINTH CROSSPIECES W=800	644
EUZE-T1200	PLINTH CROSSPIECES W=1200	1044
EUZE-T1600	PLINTH CROSSPIECES W=1600	1444

DIMENSIONAL SPECIFICATIONS					
CABINET DIM.		PLINTH DIM.		CENT. DISTANCES	
L	P	L	P	L1	P1
600	400	600	503	549	474
600	500	600	603	549	574
800	400	800	503	749	474
800	500	800	603	749	574
1200	400	1200	503	1149	474
1200	500	1200	603	1149	574
1600	400	1600	503	1549	474
1600	500	1600	603	1549	574

To order the front and side crosspieces H=200, add the suffix "D" to the code (i.e.: EUZE-T0400TD).
Supply includes 2 pieces.

Control desk



BOX AE



CHARACTERISTICS

Structure manufactured from press bent sheet steel and door manufactured from sheet steel with lateral stiffening cover and Ø 3 mm double bar locking system. Mounting plate manufactured from sendzimir sheet steel.

SUPPLY

- enclosure
- front door (for base P=500 mm, front and rear door)
- mounting plate
- adjustable cable entry.

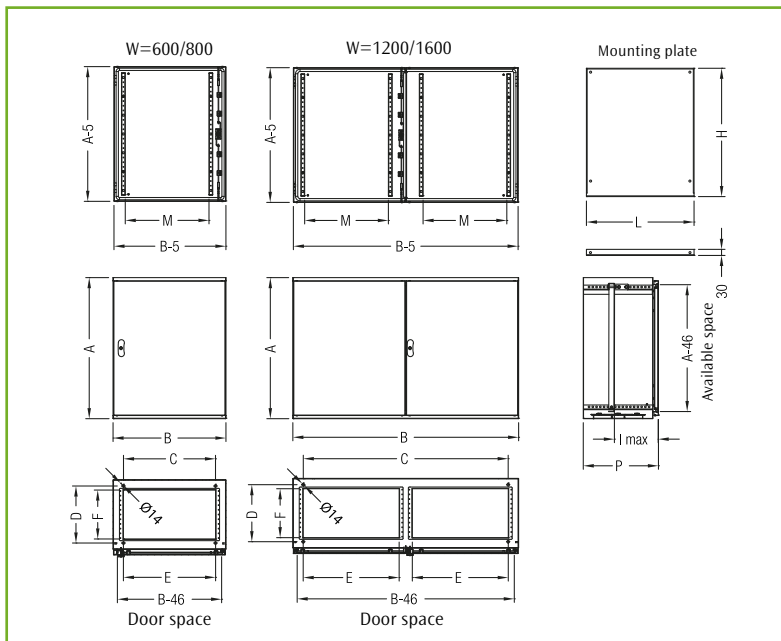
PAINT FINISH

ETA standard finishing cycle: paint-based primer with deposition by cataphoresis with epoxy resin and finishing using thermosetting powders. Colour: RAL 7035 textured finish.

PROTECTION RATING

- IP55 complying with IEC EN62208; EN62262
- NEMA 12 complying with UL508A; UL50
- protection degree guaranteed by the two-component polyurethane foam seal
- impact resistance IK10 complying with IEC EN62208; EN62262.

If necessary, complete with cover TL - page 209



Control desk



BOX AE											
AE CODE	DIMENSIONS			FLOOR FIXING		CABLE ENTRY		DOOR SPACE		MOUNTING PLATE	
	B	A	P	C	D	E	F	M	L	H	I MAX
AE601	600	770	400	489	303	490	260	445	530	684	358
AE802	800	770	400	689	303	690	260	645	730	684	358
AE123	1200	770	400	1089	303	510 (x 2)	260	445	1130	684	358
AE164	1600	770	400	1489	303	710 (x 2)	260	645	1530	684	358
AE8025	800	770	500	689	373	690	330	645	730	684	425
AE1235	1200	770	500	1089	373	510 (x 2)	330	445	1130	684	425
AE1645	1600	770	500	1489	373	710 (x 2)	330	645	1530	684	425

SHELF LE



CHARACTERISTICS

Enclosure manufactured from press bent sheet steel. Upper panel manufactured from sheet steel with Ø 3 mm double bar locking system, sendzimir rails and gas springs to support lid and avoiding accidental closing.

SUPPLY

- enclosure
- upper panel
- rails to mount supplementary mounting plate
- sealing gasket
- mounting accessories.

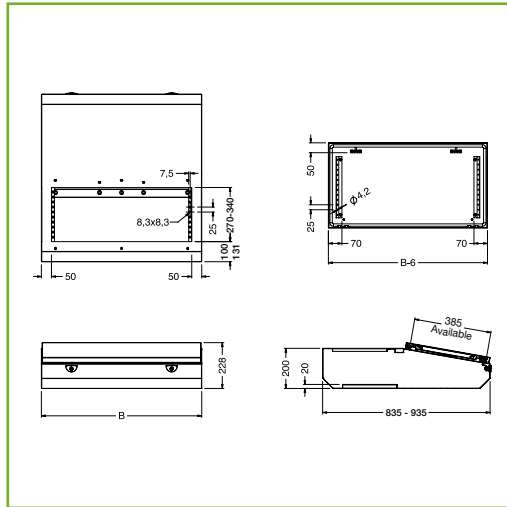
PAINT FINISH

ETA standard finishing cycle: paint-based primer with deposition by cataphoresis with epoxy resin and finishing using thermosetting powders. Colour: RAL 7035 textured finish.



PROTECTION

- IP55 complying with IEC EN62208; EN62262
- NEMA 12 complying with UL508A; UL50
- protection degree guaranteed by the two-component polyurethane foam seal
- impact resistance IK10 complying with IEC EN62208; EN62262.



SHELF			
LE CODE	B	P	NO. OF LOCKS
LE601	600	400	2
LE802	800	400	2
LE123	1200	400	2
LE164	1600	400	3
LE8025	800	500	2
LE1235	1200	500	2
LE1645	1600	500	3

UPPER PART PE



CHARACTERISTICS

Structure manufactured from press bent sheet steel. Mounting plate manufactured from sendzimir sheet steel with zincpassivated rails for mounting plate adjustment. Door manufactured from sheet steel complete with sendzimir vertical rails, mechanical stop and Ø 3 mm double bar locking system.

SUPPLY

- enclosure
- front door (for upper part P=500 mm, front door and rear cover)
- mounting plate
- sealing gasket
- mounting accessories.

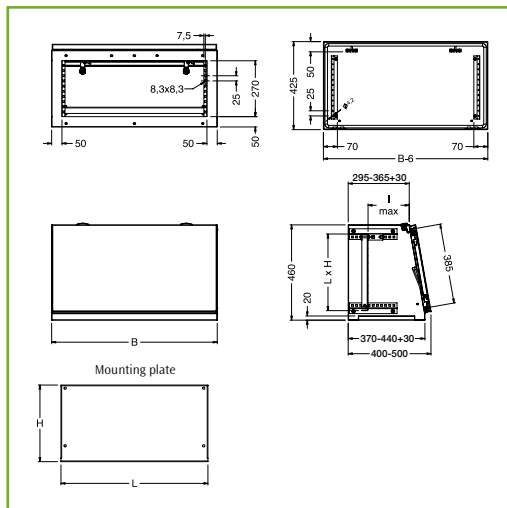
PAINT FINISH

ETA standard finishing cycle: paint-based primer with deposition by cataphoresis with epoxy resin and finishing using thermosetting powders. Enclosure, door and panel: colour RAL 7035 textured finish.



PROTECTION RATING

- IP55 complying with IEC EN62208; EN62262
- NEMA 12 complying with UL508A; UL50
- protection degree guaranteed by the two-component polyurethane foam seal
- impact resistance IK10 complying with IEC EN62208; EN62262.



UPPER PART						
PE CODE	B	P	L	H	I MAX	NO. OF LOCKS
PE601	600	400	510	370	250	2
PE802	800	400	710	370	250	2
PE123	1200	400	1110	370	250	2
PE164	1600	400	1510	370	250	3
PE8025	800	500	710	370	335	2
PE1235	1200	500	1110	370	335	2
PE1645	1600	500	1510	370	335	3

Control desk



SHELF ME



CHARACTERISTICS

Enclosure manufactured from press bent sheet steel. Upper panel manufactured from sheet steel with Ø 3 mm double bar locking system, sendzimir rails and gas springs to avoid accidental closing.

SUPPLY

- enclosure
- panel
- sealing gasket
- mounting accessories.

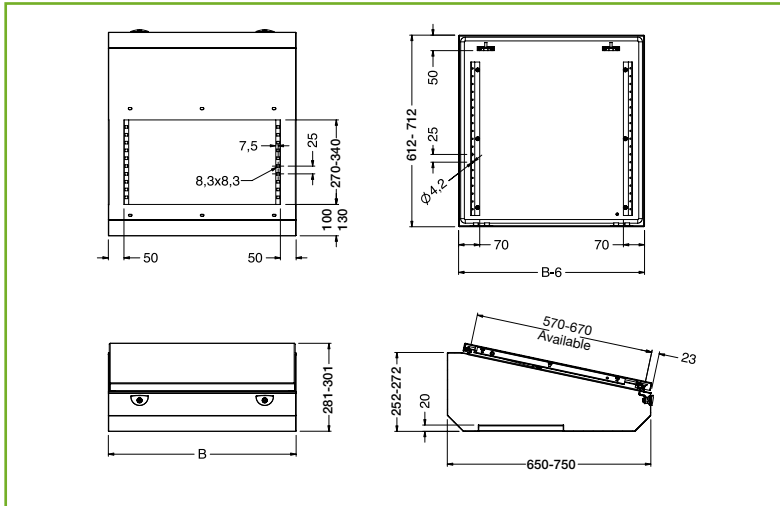
PAINT FINISH

ETA standard finishing cycle: paint-based primer with deposition by cataphoresis with epoxy resin and finishing using thermosetting powders. Colour: RAL 7035 textured finish.



PROTECTION RATING

- IP55 complying with IEC EN62208; EN62262
- NEMA 12 complying with UL508A; UL50
- protection degree guaranteed by the two-component polyurethane foam seal
- impact resistance IK10 complying with IEC EN62208; EN62262.



SHELF			
ME CODE	B	P	NO. OF LOCKS
ME601	600	400	2
ME802	800	400	2
ME123	1200	400	2
ME164	1600	400	3
ME8025	800	500	2
ME1235	1200	500	2
ME1645	1600	500	3

Control desk

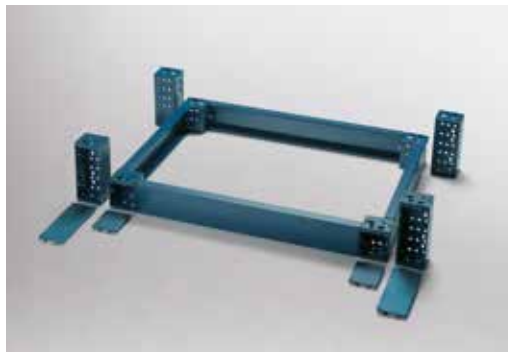
MODULAR PLINTH EUZE

CHARACTERISTICS

Corner pieces manufactured from press bent sheet steel, with PVC front covers caps. Front and side cross-pieces manufactured from press bent sheet steel.

PAINT FINISH

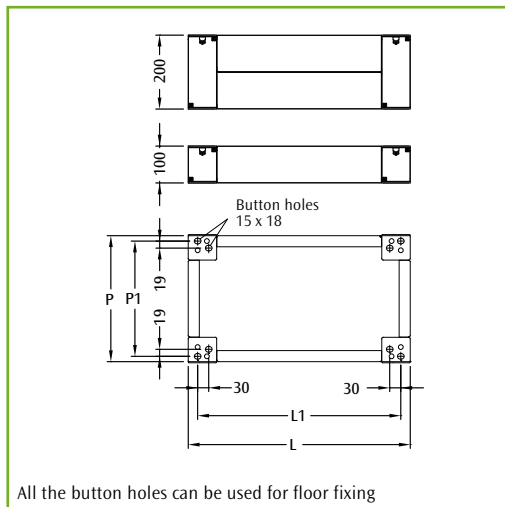
ETA standard finishing cycle: paint-based primer with deposition by cataphoresis with epoxy resin and finishing using thermosetting powders. Colour: RAL 5020 textured finish.



SUPPLY

The modular plinth is made up of:

- corner pieces: supply includes 4 pieces complete with front covers and mounting hardware
- front/rear crosspieces: supply includes 2 pieces
- side crosspieces: supply includes 2 pieces.



UNIVERSAL CORNER PIECES

EUZE CODE	DESCRIPTION
EUZE-A100	CORNER PIECES FOR PLINTH H=100
EUZE-A200	CORNER PIECES FOR PLINTH H=200

Supply includes 4 pieces with mounting accessories.

FRONT CROSSPIECES

EUZE CODE	DESCRIPTION	CROSS. LENGTH MM
EUZE-T0600	PLINTH CROSSPIECES W=600	444
EUZE-T0800	PLINTH CROSSPIECES W=800	644
EUZE-T1200	PLINTH CROSSPIECES W=1200	1044
EUZE-T1600	PLINTH CROSSPIECES W=1600	1444

Supply includes 2 pieces.

To order the front crosspieces H=200, add the suffix "D" to the code (i.e.: EUZE-T0600D).

AE SIDE CROSSPIECES

EUZE CODE	DESCRIPTION	CROSS. LENGTH MM
EUZE-T0400C	PLINTH CROSSPIECES D=400	236
EUZE-T0500B	PLINTH CROSSPIECES D=500	306

Supply includes 2 pieces.

To order the side crosspieces H=200, add the suffix "D" to the code (i.e.: EUZE-T0400CD).

DIMENSIONAL SPECIFICATIONS

CONTROL DESK DIM.		PLINTH DIM.		CENT. DISTANCES	
L	P	L	P	L1	P1
600	400	600	370	549	341
800	400	800	370	749	341
800	500	800	440	749	411
1200	400	1200	370	1149	341
1200	500	1200	440	1149	411
1600	400	1600	370	1549	341
1600	500	1600	440	1549	411



CHARACTERISTICS

Enclosure manufactured from press bent sheet steel provided with front and rear doors manufactured from sheet steel with lateral stiffening cover, and upper panel manufactured from sheet steel complete with sendzimir rails and gas springs to avoid accidental closing. Adjustable in depth mounting plate manufactured from sendzimir sheet steel.

PAINT FINISH

ETA standard finishing cycle: paint-based primer with deposition by cataphoresis with epoxy resin and finishing using thermosetting powders. Structure, doors, upper panel: colour RAL 7035 textured finish.

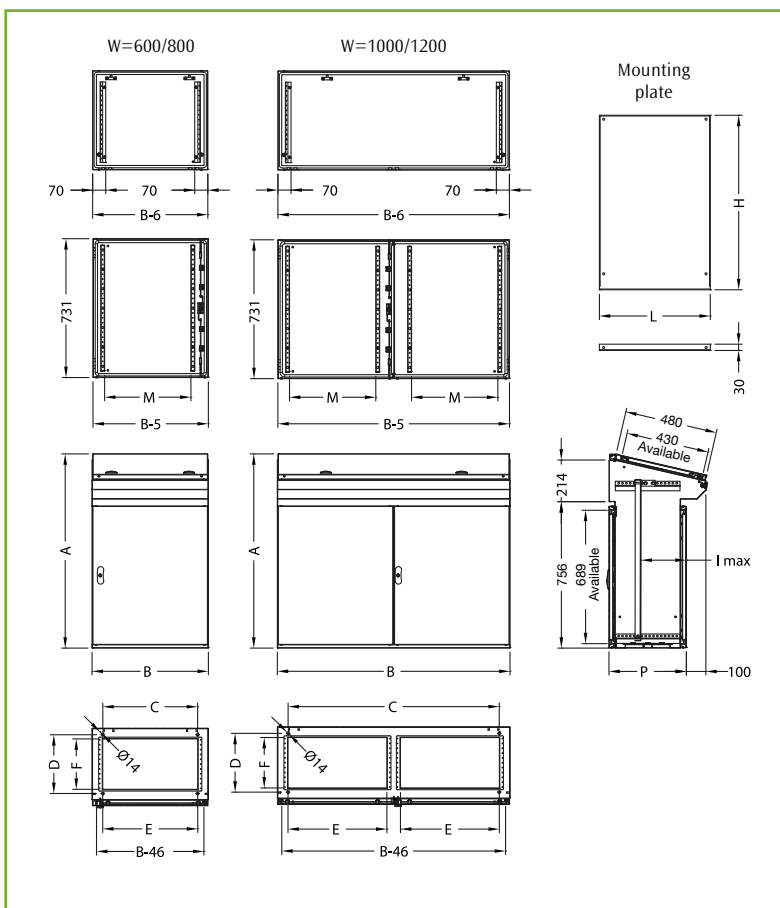


SUPPLY

- control desk
- doors complete with Ø 3 mm double bar closing system
- upper panel complete with closing system
- mounting plate
- adjustable cable entry.

PROTECTION RATING

- IP55 complying with IEC EN62208; EN62262
- NEMA 12 complying with UL508A, UL50
- impact resistance IK10 complying with IEC EN62208; EN62262.



Control desk

For any requirement following your purchase order, the spare parts listed in the table can be ordered.



SPARE PARTS - SBA

DIMENSIONS			MOUNTING PLATE
L	H	P	
600	1000	400	WPZ-SB601
800	1000	400	WPZ-SB801
1000	1000	400	WPZ-SB001
1200	1000	400	WPZ-SB201

CONTROL DESK

SBA CODE	DIMENSIONS			FLOOR FIXING		CABLE ENTRY		DOOR SPACE	MOUNTING PLATE		
	B	A	P	C	D	E	F	M	L	H	I MAX
SBA601	600	1000	400	489	273	490	230	445	530	830	334
SBA801	800	1000	400	689	273	690	230	645	730	830	334
SBA001	1000	1000	400	889	273	410 (x2)	230	345	930	830	334
SBA201	1200	1000	400	1089	273	510 (x2)	230	445	1130	830	334

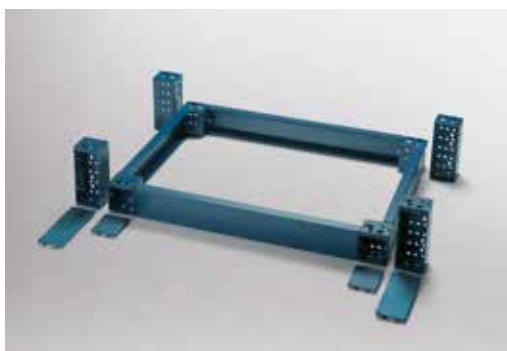
MODULAR PLINTH EUZE

CHARACTERISTICS

Corner pieces manufactured from press bent sheet steel, with PVC front covers caps. Front and side cross-pieces manufactured from press bent sheet steel.

PAINT FINISH

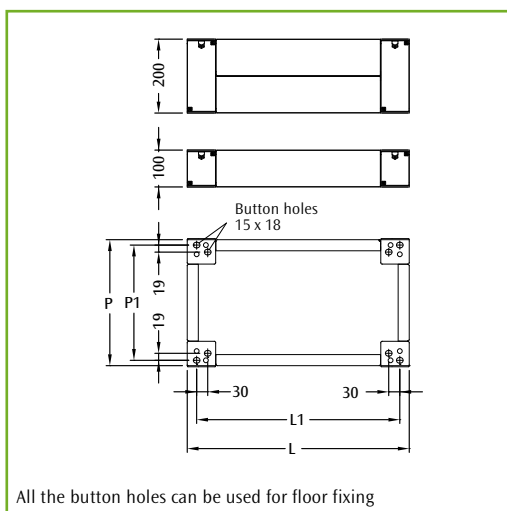
ETA standard finishing cycle: paint-based primer with deposition by cataphoresis with epoxy resin and finishing using thermosetting powders. Colour: RAL 5020 textured finish.



SUPPLY

The modular plinth is made up of:

- corner pieces: supply includes 4 pieces complete with front covers and mounting hardware
- front/rear crosspieces: supply includes 2 pieces
- side crosspieces: supply includes 2 pieces.



All the button holes can be used for floor fixing

UNIVERSAL CORNER PIECES

EUZE CODE	DESCRIPTION
EUZE-A100	CORNER PIECES FOR PLINTH H=100
EUZE-A200	CORNER PIECES FOR PLINTH H=200

Supply includes 4 pieces with mounting accessories.

UNIVERSAL FRONT CROSSPIECES

EUZE CODE	DESCRIPTION	CROSS. LENGTH MM
EUZE-T0600	FRONT CROSS. FOR PLINTH W=600	444
EUZE-T0800	FRONT CROSS. FOR PLINTH W=800	644
EUZE-T1000	FRONT CROSS. FOR PLINTH W=1000	844
EUZE-T1200	FRONT CROSS. FOR PLINTH W=1200	1044

Supply includes 2 pieces.

To order the front crosspieces H=200 add the suffix "D" to the code (i.e.: EUZE-T0600D).

SBA SIDE CROSSPIECES

EUZE CODE	DESCRIPTION	CROSS. LENGTH MM
EUZE-T0400B	SIDE CROSS. PLINTH D=400	206

Supply includes 2 pieces.

To order the side crosspieces H=200, add the suffix "D" to the code (i.e.: EUZE-T0400BD).

DIMENSIONAL SPECIFICATIONS

CONTROL DESK DIMENSIONS		PLINTH DIM.		CENT. DISTANCES	
L	P	L	P	L1	P1
600	400	600	340	549	311
800	400	800	340	749	311
1000	400	1000	340	949	311
1200	400	1200	340	1149	311



CHARACTERISTICS

Enclosure manufactured from press bent sheet steel provided with front door manufactured from sheet steel with lateral stiffening cover, and upper panel manufactured from sheet steel complete with sendzimir rails and mechanical door stop. Mounting plate manufactured from sendzimir sheet steel mounted on the rear cover.

PAINT FINISH

ETA standard finishing cycle: paint-based primer with deposition by cathoresis with epoxy resin and finishing using thermosetting powders. Structure, doors, upper panel: colour RAL 7035 textured finish.

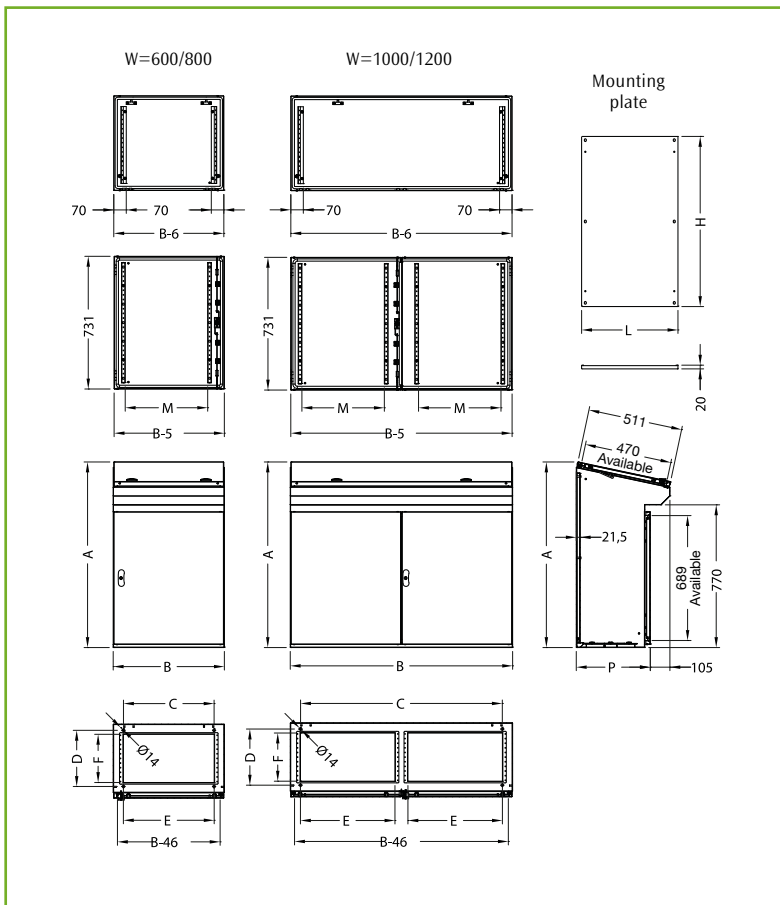


SUPPLY

- control desk
- door complete with Ø 3 mm double bar closing system
- upper panel complete with closing system
- mounting plate
- adjustable cable entry.

PROTECTION RATING

- IP55 complying with IEC EN62208; EN62262
- NEMA 12 complying with UL508A, UL50
- impact resistance IK10 complying with IEC EN62208; EN62262.



Control desk

For any requirement following your purchase order, the spare parts listed in the table can be ordered.



SPARE PARTS - ZBA

DIMENSIONS			MOUNTING PLATE
L	H	P	
600	1000	400	WPZ-ZB601
800	1000	400	WPZ-ZB801
1000	1000	400	WPZ-ZB001
1200	1000	400	WPZ-ZB201

CONTROL DESK

ZBA CODE	DIMENSIONS			FLOOR FIXING		CABLE ENTRY		DOOR SPACE	MOUNTING PLATE	
	B	A	P	C	D	E	F	M	L	H
ZBA601	600	1000	400	489	303	490	260	445	520	918
ZBA801	800	1000	400	689	303	690	260	645	720	918
ZBA001	1000	1000	400	889	303	410 (x2)	260	345	920	918
ZBA201	1200	1000	400	1089	303	510 (x2)	260	445	1120	918

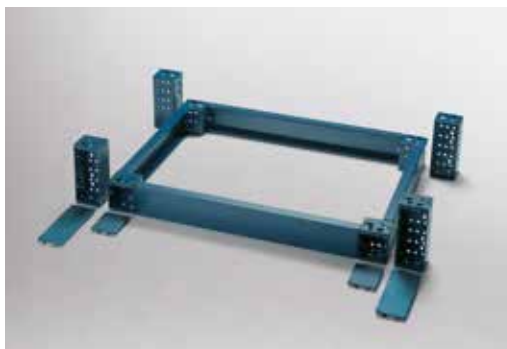
MODULAR PLINTH EUZE

CHARACTERISTICS

Corner pieces manufactured from press bent sheet steel, with PVC front covers caps. Front and side cross-pieces manufactured from press bent sheet steel.

PAINT FINISH

ETA standard finishing cycle: paint-based primer with deposition by cataphoresis with epoxy resin and finishing using thermosetting powders. Colour: RAL 5020 textured finish.



SUPPLY

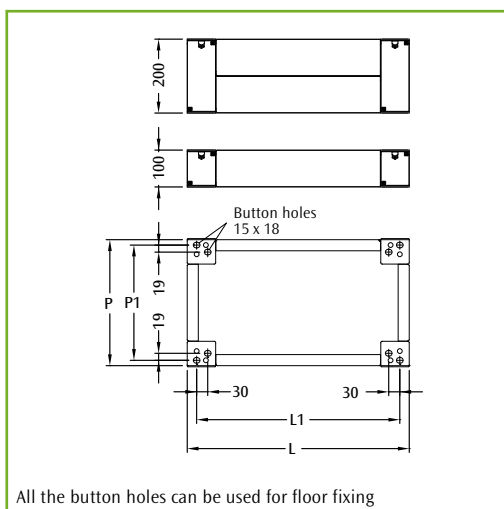
The modular plinth is made up of:

- corner pieces: supply includes 4 pieces complete with front covers and mounting hardware
- front/rear crosspieces: supply includes 2 pieces
- side crosspieces: supply includes 2 pieces.

UNIVERSAL CORNER PIECES

EUZE CODE	DESCRIPTION
EUZE-A100	CORNER PIECES FOR PLINTH H=100
EUZE-A200	CORNER PIECES FOR PLINTH H=200

Supply includes 4 pieces with mounting accessories.



UNIVERSAL FRONT CROSSPIECES

EUZE CODE	DESCRIPTION	CROSS. LENGTH MM
EUZE-T0600	FRONT CROSS. FOR PLINTH W=600	444
EUZE-T0800	FRONT CROSS. FOR PLINTH W=800	644
EUZE-T1000	FRONT CROSS. FOR PLINTH W=1000	844
EUZE-T1200	FRONT CROSS. FOR PLINTH W=1200	1044

Supply includes 2 pieces.

To order the front crosspieces H=200 add the suffix "D" to the code (i.e.: EUZE-T0600D).

ZBA SIDE CROSSPIECES

EUZE CODE	DESCRIPTION	CROSS. LENGTH MM
EUZE-T0400C	SIDE CROSS. PLINTH D=400	236

Supply includes 2 pieces.

To order the side crosspieces H=200, add the suffix "D" to the code (i.e.: EUZE-T0400CD).

DIMENSIONAL SPECIFICATIONS

CONTROL DESK DIMENSIONS		PLINTH DIMENSIONS		CENT. DISTANCE	
L	P	L	P	L1	P1
600	400	600	370	549	341
800	400	800	370	749	341
1000	400	1000	370	949	341
1200	400	1200	370	1149	341



CASING FOR PE

To be mounted on the 500 mm deep PE instead of the rear panel when a greater depth is required.

CHARACTERISTICS

Manufactured from sheet steel.

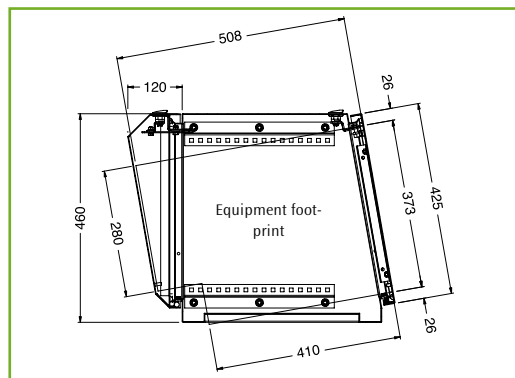
PAINT FINISH

ETA standard finishing cycle: paint-based primer with deposition by cataphoresis with epoxy resin and finishing using thermosetting powders. Colour: RAL 7035 textured finish.



SUPPLY

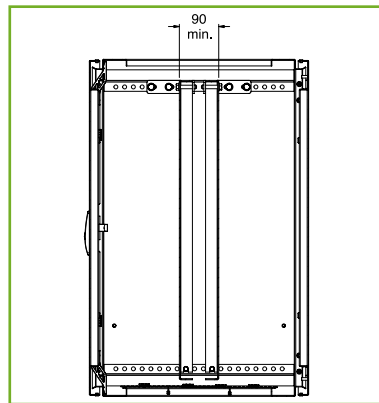
Includes 1 casing with closing system, sealing gasket and mounting accessories.



CASING PE	
PECF CODE	PE WIDTH
PECF8025	800
PECF1235	1200
PECF1645	1600



Control desk



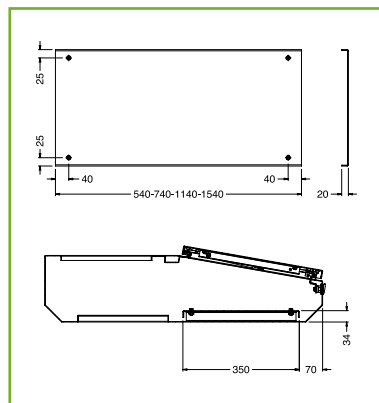
MOUNTING PLATE (ADDITIONAL) FOR BASE AE

Manufactured from sendzimir sheet steel.

SUPPLY

Includes 1 piece complete with mounting accessories.

MOUNTING PLATE FOR AE	
PA4-AE CODE	AE WIDTH
PA4-AE825	800
PA4-AE235	1200
PA4-AE645	1600



MOUNTING PLATE FOR SHELF LE

Manufactured from sendzimir sheet steel.

SUPPLY

Includes 1 piece complete with mounting accessories.

MOUNTING PLATE FOR LE	
PA4-LE CODE	LE WIDTH
PA4-LE015	600
PA4-LE025	800
PA4-LE235	1200
PA4-LE645	1600

COVER TL FOR LE SHELF

Manufactured from sheet steel.

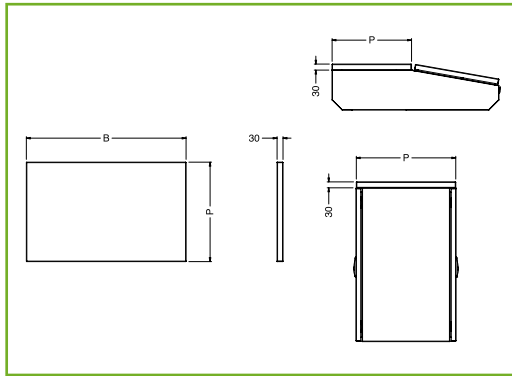
PAINT FINISH

ETA standard finishing cycle: paint-based primer with deposition by cataphoresis with epoxy resin and finishing using thermosetting powders. Colour: RAL 7035 textured finish.



SUPPLY

Includes 1 piece complete with sealing gasket and mounting accessories.



TL FOR LE D=400 MM

TL CODE	DIMENSIONS	
	B	P
TL601	600	398
TL802	800	398
TL123	1200	398
TL164	1600	398

TL FOR LE D=500 MM

TL CODE	DIMENSIONS	
	B	P
TL8025	800	498
TL1235	1200	498
TL1645	1600	498

HANDLE FOR CONTROL DESK

Manufactured from aluminium alloy. Supply includes 1 piece complete with mounting accessories.

HANDLE

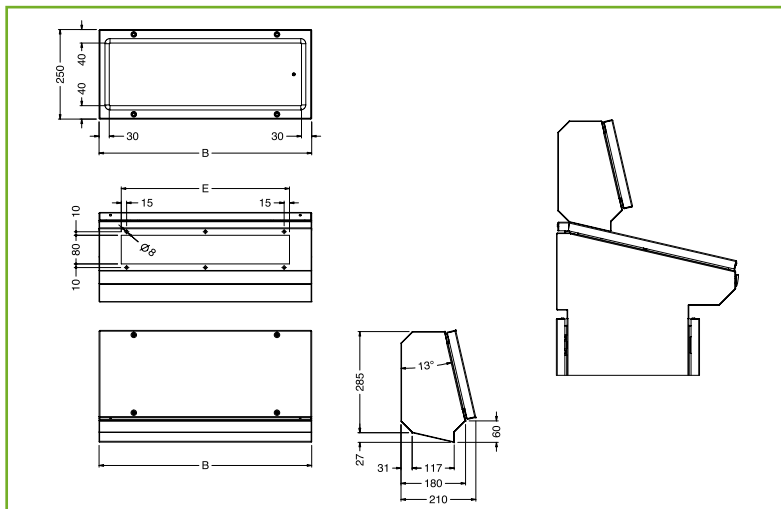
WA CODE	DESK WIDTH
WA-400	600
WA-410	800
WA-430	1000
WA-440	1200
WA-450	1600



Control desk

SPA UPPER PART

Compatible with ZBA and SBA after drilling. Screws included.

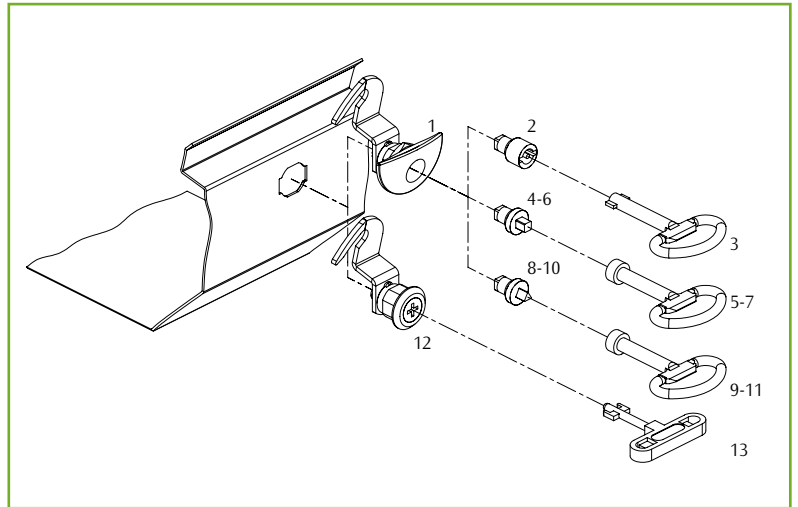


SPA UPPER PART

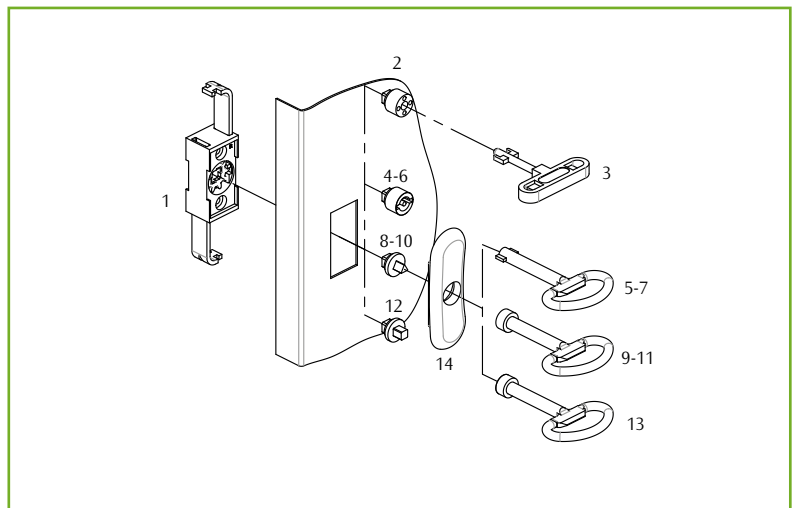
SPA CODE	DIMENSIONS	
	B	E
SPA601	594	470
SPA801	794	670
SPA001	994	870
SPA201	1194	1070

LOCKING SYSTEMS

LOCKING SYSTEMS		
WE CODE	REF.	DESCRIPTION
WE251	1	LOCK
WE255	2	ETA INSERT
WE160	3	ETA KEY
WE260	4	INSERT \varnothing 6 MM
WE263	5	KEY \varnothing 6 MM
WE265	6	INSERT \varnothing 7 MM
WE268	7	KEY \varnothing 7 MM
WE270	8	INSERT \varnothing 6,5 MM
WE273	9	KEY \varnothing 6,5 MM
WE275	10	INSERT \varnothing 8 MM
WE278	11	KEY \varnothing 8 MM
WE209	12	FIAT LOCK
WE210	13	FIAT KEY



LOCKING SYSTEMS		
WE CODE	REF.	DESCRIPTION
WE010	1	ROD SYSTEM
WE080	2	FIAT INSERT
WE210	3	FIAT KEY
WE030	4	ETA INSERT \varnothing 3 MM
WE160	5	ETA KEY \varnothing 3 MM
WE040	6	ETA INSERT \varnothing 5 MM
WE170	7	ETA KEY \varnothing 5 MM
WE050	8	INSERT \varnothing 7 MM
WE180	9	KEY \varnothing 7 MM
WE060	10	INSERT \varnothing 8 MM
WE190	11	KEY \varnothing 8 MM
WE070	12	INSERT \varnothing 7 MM
WE200	13	KEY \varnothing 7 MM
WE021	14	ETA LOCK COVER



Control desk

A INDUSTRIAL AUTOMATION

- 1 AUTOMOTIVE
- 2 FOOD & BEVERAGE
- 3 PACKAGING
- 4 OIL & GAS
- 5 HANDLING & LOGISTIC
- 6 PHARMA
- 7 WATER & WASTEWATER
- 8 MARINE & OFFSHORE

B DATA NETWORKING

- 1 NETWORKING
- 2 DATA CENTER
- 3 SMART BUILDING

C COMMERCIAL

- 1 MONITORING & SECURITY
- 2 COMMERCIAL BUILDING
- 3 INFRASTRUCTURE
- 4 HVAC

D ENERGY MANAGEMENT

- 1 RENEWABLE
- 2 SMART CITY
- 3 LV DISTRIBUTION
- 4 ENERGY STORAGE

SUITE CABINETS E NUX-X
A2 A4 A6 A8

MONOBLOC CABINETS E MOX-X
A2 A4 A6 A8

COMPACT SOLUTIONS E COMP-X
A2 A4 A6 A8

WALL-MOUNTING BOXES E COR
A2 A4 A6 A8

ELECTRICAL ENCLOSURES COMPLYING WITH ATEX E COR-X
A1 A3 A4 A5 A7 A8 C4 D1

TERMINAL BOXES E GRAN-X
A2 A4 A6 A8

PUSHBUTTON BOXES SHX
A2 A4 A6 A8

SOLUTIONS WITH SLOPED ROOF E COR-TX
A2 A4 A6 A8

MONOBLOC CONTROL DESKS ZBX
A1 A3 A5 A7 C4 D1

MODULAR CONTROL DESKS
A1 A3 A5 A7 C4 D1

STAINLESS STEEL SOLUTIONS

SINGLE WALL SOLUTIONS **OUTDOOR SOLUTIONS**
DOUBLE WALL SOLUTIONS A7 A8 B3 C2 C3 D1 D2

EMC SOLUTIONS

SUITE CABINETS E NUX
WALL MOUNTING BOXES STE
A1 A3 A4 A5 A7 A8 C4 D1

TERMINAL BOXES SDE
A1 A3 A4 A5 A7 A8 C4 D1



e nux
STAINLESS STEEL

e mox
STAINLESS STEEL

e comp
STAINLESS STEEL

zba
INOX

e cor
STAINLESS STEEL

Stainless steel

For indoor and outdoor applications, where the main requirement is to offer a high resistance to harsh chemical and environmental factors, we propose AISI304L and AISI316L stainless steel solutions.

S
U
P
E
R

EXTREME PROTECTION FOR HARSH ENVIRONMENTS

**FOOD
OIL & GAS
CHEMICAL
PETROCHEMICAL
IN-SHORE
MARINE
ENVIRONMENT
OFF-SHORE**

Certified welding process UNI EN15614 WPAR (Welding Procedure Approval Record) and WPS (Welding Procedure Specification).

Certification of the quality management system according to ATEX standard.

Highly qualified & well trained staff.

Customisation with holes, cut-outs, special dimension & professional assistance for special projects.

IMQ
DIRETTIVA ATEX



ISO 9001

RESEARCH

Use of silicone seal for the ranges of stainless steel products.



ADDED VALUE

Cabinet E NUX and boxes E COR provided with AISI316L stainless steel hinges. E NUX components: rear panel fixing brackets, side panel fixing brackets, door locking points, everything manufactured from stainless steel AISI316L.



STRENGTH

E COR, E NUX, E MOX and E COMP front door, produced with formed corners. E NUX structure proposed with the same high-performance constructive concepts of the sheet steel version.



DESIGN

Specific lock cover for boxes E COR with a double door, a functional and eye-catching handle used for cabinets: E NUX, E MOX and E COMP.



SUSTAINABILITY

Innovative energy-saving laser technology for high precision welding in order to produce our structure E NUX.

PROTECTION

Boxes E COR, cabinets E NUX and E MOX/E COMP doors manufactured from pre-satinized stainless steel sheet (AISI304L or AISI316L) covered with PVC film for additional protection and provided with packaging.

FUNCTIONALITY

Front door with a reduced dimension of the door angle, in order to permit the door opening in case of E COR boxes placed side by side. Easy assembly of E NUX suite cabinet thanks to the innovative orthogonal joint.

Stainless steel

EASINESS

Boxes E COR supplied with a mounting plate that is provided with slots in the corner, to allow a simple installation.



CHARACTERISTICS

The profile used for uprights and crosspieces is unique, manufactured from stainless steel AISI304L (AISI316L on request), closed with continuous welding and free of sharp edges. The bottom is a single piece with box-type structure manufactured from press-bent welded profiles (in stainless steel AISI304L (AISI316L on request), while the frame corners are manufactured with AISI316L stainless steel orthogonal joints laser welded to vertical upright rails and horizontal rails for the roof and bottom. The union of the entire structure is obtained by 8 high-strength screws and positioning pins between the two parts of the orthogonal joint. Hinges in stainless steel AISI316L.

SUPPLY

- structure manufactured from stainless steel sheet AISI304L (AISI316L on request)
- roof and rear panel manufactured from pre-satinized stainless steel sheet AISI304L (AISI316L on request)
- door with formed corners manufactured from pre-satinized stainless steel sheet AISI304L (AISI316L on request) provided with a stiffening tubular frame, silicone seal and \varnothing 3 mm double bar lever-operated locking system; standard 135° door opening
- bottom manufactured from stainless steel sheet AISI304L (AISI316L on request) with modular and adjustable cable entry (double cable entry for $L \geq 1000$ mm) and gasket.

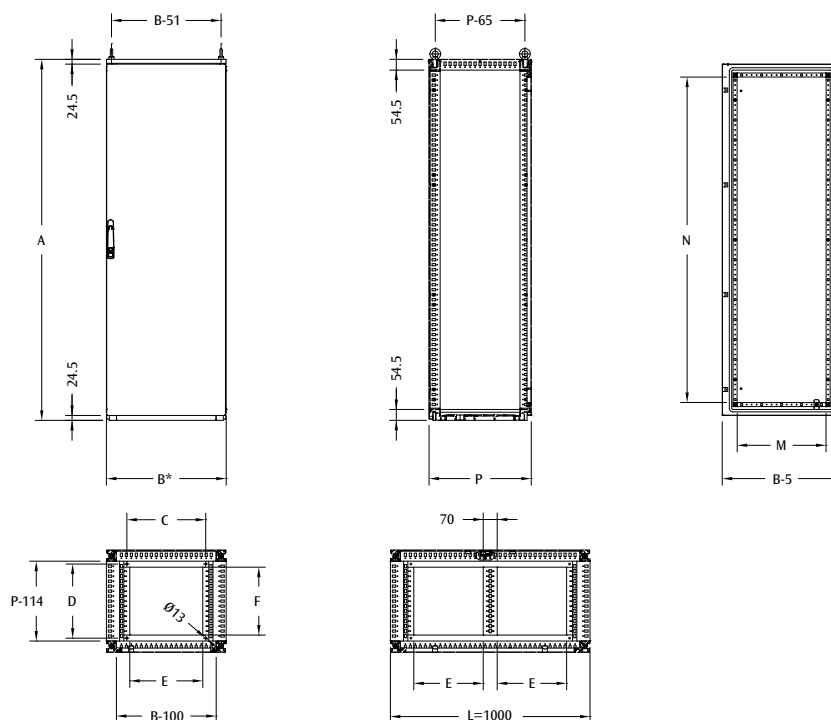
PROTECTION RATING

- IP55 complying with IEC EN62208; EN62262
- NEMA 12 complying with UL508A; UL50
- protection degree guaranteed by the two-component silicone foam seal
- impact resistance IK10 complying with IEC EN62208; EN62262.



Available on request: single door cabinet and suite cabinets, with protection rating IP > 55, NEMA 4X. For more information, see page 68.

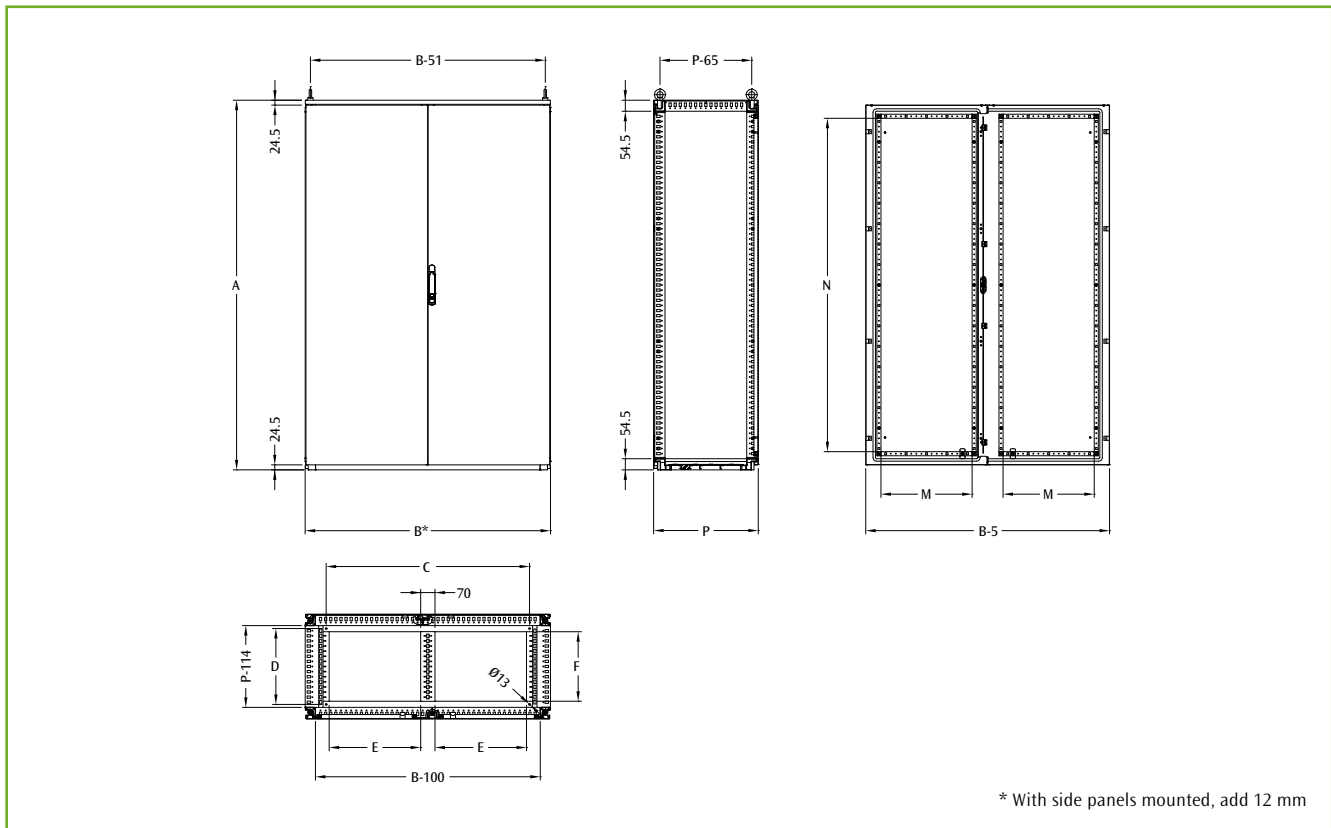
Stainless steel



* With side panels mounted, add 12 mm

- 🔍 Main accessories to be ordered separately:
- mounting plate EUPA, see page 217
 - side panels EUFX, see page 219
 - plinth EUZX, see page 220.

- 🔍 Available on request: stainless steel modular cabinet E NUX with internal doors and E NUX PC cabinet with sliding shelf.



- 🔍 Main accessories to be ordered separately:
- mounting plate EUPA, see page 217
 - side panels EUFX, see page 219
 - plinth EUZX, see page 220.

E NUX STAINLESS STEEL WITH SINGLE BLANK DOOR

E NUX CODE	DIMENSIONS			CABINET DIMENSIONS			FLOOR FIXING		CABLE ENTRY		DOOR SPACE	
	WIDTH	HEIGHT	DEPTH	B*	A	P	C	D	E	F	M	N
ENUX-061804PRX	600	1800	400	600	1809	414	395	271	365	240	445	1630
ENUX-061805PRX	600	1800	500	600	1809	514	395	371	365	340	445	1630
ENUX-062005PRX	600	2000	500	600	2009	514	395	371	365	340	445	1830
ENUX-062006PRX	600	2000	600	600	2009	614	395	471	365	440	445	1830
ENUX-081804PRX	800	1800	400	800	1809	414	595	271	565	240	645	1630
ENUX-081805PRX	800	1800	500	800	1809	514	595	371	565	340	645	1630
ENUX-082005PRX	800	2000	500	800	2009	514	595	371	565	340	645	1830
ENUX-082006PRX	800	2000	600	800	2009	614	595	471	565	440	645	1830
ENUX-101805PRX	1000	1800	500	1000	1809	514	795	371	765	340	845	1630
ENUX-101806PRX	1000	1800	600	1000	1809	614	795	471	765	440	845	1630
ENUX-102005PRX	1000	2000	500	1000	2009	514	795	371	765	340	845	1830
ENUX-102006PRX	1000	2000	600	1000	2009	614	795	471	765	440	845	1830

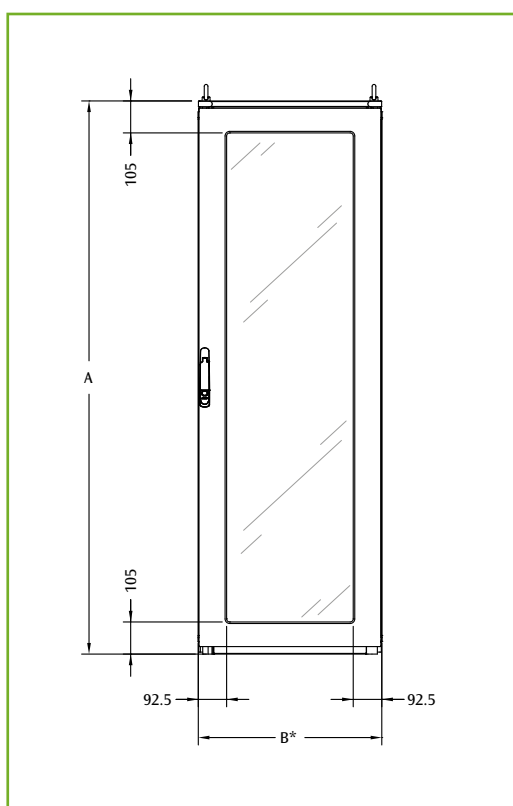
Stainless steel

🔍 To order a stainless steel enclosure in high grade AISI316L, add the suffix "H" to the code (i.e.: ENUX-061804PRXH).

E NUX STAINLESS STEEL WITH DOUBLE BLANK DOOR

E NUX CODE	DIMENSIONS			CABINET DIMENSIONS			FLOOR FIXING		CABLE ENTRY		DOOR SPACE	
	WIDTH	HEIGHT	DEPTH	B*	A	P	C	D	E	F	M	N
ENUX-121804PRX	1200	1800	400	1200	1809	414	995	271	447	240	445	1630
ENUX-121805PRX	1200	1800	500	1200	1809	514	995	371	447	340	445	1630
ENUX-122005PRX	1200	2000	500	1200	2009	514	995	371	447	340	445	1830
ENUX-122006PRX	1200	2000	600	1200	2009	614	995	471	447	440	445	1830

🔍 To order a stainless steel enclosure in high grade AISI316L, add the suffix "H" to the code (i.e.: ENUX-121804PRXH).



Stainless steel

CHARACTERISTICS

The profile used for uprights and crosspieces is unique, manufactured from stainless steel AISI304L (AISI316L on request), closed with continuous welding and free of sharp edges. The bottom is a single piece with box-type structure manufactured from press-bent welded profiles (in stainless steel AISI304L (AISI316L on request), while the frame corners are manufactured with AISI316L stainless steel orthogonal joints laser welded to vertical upright rails and horizontal rails for the roof and bottom. The union of the entire structure is obtained by 8 high-strength screws and positioning pins between the two parts of the orthogonal joint. Hinges in stainless steel AISI316L.

SUPPLY

- structure manufactured from stainless steel sheet AISI304L (AISI316L on request)
- roof and rear panel manufactured from pre-satinized stainless steel sheet AISI304L (AISI316L on request)
- door with formed corners manufactured from pre-satinized stainless steel sheet AISI304L (AISI316L on request) provided with a stiffening tubular frame, Plexiglas, silicone seal and Ø 3 mm lever-operated double bar locking system
- bottom manufactured from stainless steel sheet AISI304L (AISI316L on request) with modular and adjustable cable entry (double cable entry for W=1000 mm) and gasket.

PROTECTION RATING

- IP55 complying with IEC EN62208; EN62262
- NEMA 12 complying with UL508A; UL50
- protection degree guaranteed by the two-component silicone foam seal
- impact resistance IK10 complying with IEC EN62208; EN62262.

E NUX STAIN. STEEL WITH PLEXI DOOR

E NUX CODE	CABINET DIMENSIONS		
	B*	A	P
ENUX-061804PVX	600	1809	414
ENUX-061805PVX	600	1809	514
ENUX-062005PVX	600	2009	514
ENUX-062006PVX	600	2009	614
ENUX-081804PVX	800	1809	414
ENUX-081805PVX	800	1809	514
ENUX-082005PVX	800	2009	514
ENUX-082006PVX	800	2009	614
ENUX-101805PVX	1000	1809	514
ENUX-101806PVX	1000	1809	614
ENUX-102005PVX	1000	2009	514
ENUX-102006PVX	1000	2009	614

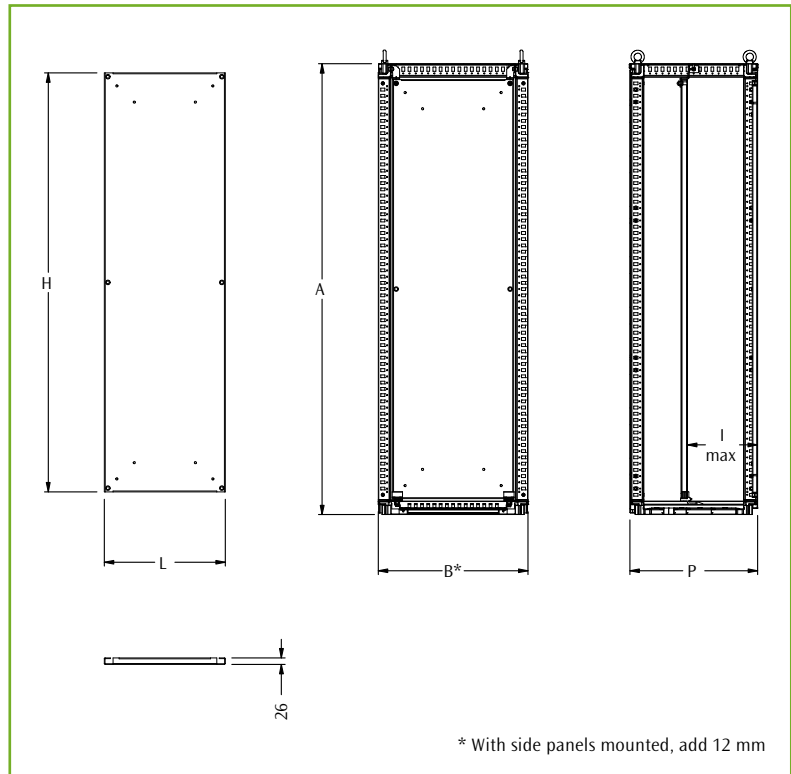
To order a stainless steel enclosure in high grade AISI 316L, add the suffix "H" to the code (i.e.: ENUX-061804PVXH).



FRONT INSERTED MOUNTING PLATE EUPA

CHARACTERISTICS

Manufactured from sendzimir sheet steel.



* With side panels mounted, add 12 mm

MOUNTING PLATE W=600

EUPA CODE	CABINET DIMENSIONS			MOUNTING PLATE DIM.		
	B*	A	P	L	H	I MAX
EUPA-060180	600	1809	414	485	1680	350
EUPA-060180	600	1809	514	485	1680	450
EUPA-060180	600	1809	614	485	1680	550
EUPA-060200	600	2009	414	485	1880	350
EUPA-060200	600	2009	514	485	1880	450
EUPA-060200	600	2009	614	485	1880	550

MOUNTING PLATE W=1000

EUPA CODE	CABINET DIMENSIONS			MOUNTING PLATE DIM.		
	B*	A	P	L	H	I MAX
EUPA-100180	1000	1809	414	885	1680	350
EUPA-100180	1000	1809	514	885	1680	450
EUPA-100180	1000	1809	614	885	1680	550
EUPA-100200	1000	2009	414	885	1880	350
EUPA-100200	1000	2009	514	885	1880	450
EUPA-100200	1000	2009	614	885	1880	550

MOUNTING PLATE W=800

EUPA CODE	CABINET DIMENSIONS			MOUNTING PLATE DIM.		
	B*	A	P	L	H	I MAX
EUPA-080180	800	1809	414	685	1680	350
EUPA-080180	800	1809	514	685	1680	450
EUPA-080180	800	1809	614	685	1680	550
EUPA-080200	800	2009	414	685	1880	350
EUPA-080200	800	2009	514	685	1880	450
EUPA-080200	800	2009	614	685	1880	550

MOUNTING PLATE W=1200

EUPA CODE	CABINET DIMENSIONS			MOUNTING PLATE DIM.		
	B*	A	P	L	H	I MAX
EUPA-120180	1200	1809	414	1085	1680	350
EUPA-120180	1200	1809	514	1085	1680	450
EUPA-120180	1200	1809	614	1085	1680	550
EUPA-120200	1200	2009	414	1085	1880	350
EUPA-120200	1200	2009	514	1085	1880	450
EUPA-120200	1200	2009	614	1085	1880	550

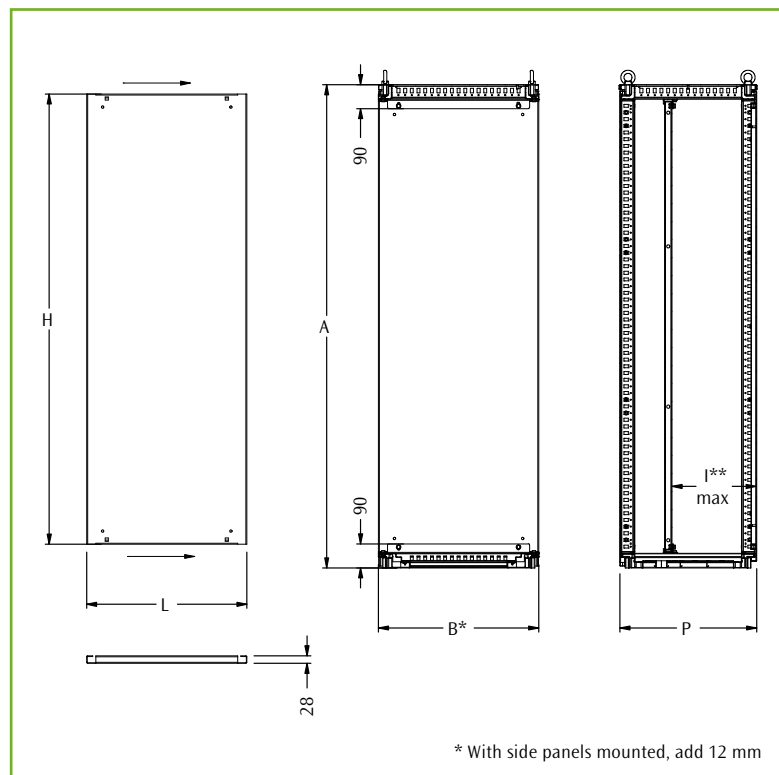
Stainless steel



SIDE INSERTED MOUNTING PLATE EUPL

CHARACTERISTICS

Manufactured from sendzimir sheet steel.
Includes mounting accessories and sliding guides.



Stainless steel

MOUNTING PLATE W=600

EUPL CODE	CABINET DIMENSIONS			MOUNTING PLATE DIM.		
	B*	A	P	L	H	I MAX
EUPL-060180	600	1809	414	600	1685	315
EUPL-060180	600	1809	514	600	1685	415
EUPL-060180	600	1809	614	600	1685	515
EUPL-060200	600	2009	414	600	1885	315
EUPL-060200	600	2009	514	600	1885	415
EUPL-060200	600	2009	614	600	1885	515

MOUNTING PLATE W=1000

EUPL CODE	CABINET DIMENSIONS			MOUNTING PLATE DIM.		
	B*	A	P	L	H	I MAX
EUPL-100180	1000	1809	414	1000	1685	315
EUPL-100180	1000	1809	514	1000	1685	415
EUPL-100180	1000	1809	614	1000	1685	515
EUPL-100200	1000	2009	414	1000	1885	315
EUPL-100200	1000	2009	514	1000	1885	415
EUPL-100200	1000	2009	614	1000	1885	515

MOUNTING PLATE W=800

EUPL CODE	CABINET DIMENSIONS			MOUNTING PLATE DIM.		
	B*	A	P	L	H	I MAX
EUPL-080180	800	1809	414	800	1685	315
EUPL-080180	800	1809	514	800	1685	415
EUPL-080180	800	1809	614	800	1685	515
EUPL-080200	800	2009	414	800	1885	315
EUPL-080200	800	2009	514	800	1885	415
EUPL-080200	800	2009	614	800	1885	515

MOUNTING PLATE W=1200

EUPL CODE	CABINET DIMENSIONS			MOUNTING PLATE DIM.		
	B*	A	P	L	H	I MAX
EUPL-120180	1200	1809	414	1200	1685	315
EUPL-120180	1200	1809	514	1200	1685	415
EUPL-120180	1200	1809	614	1200	1685	515
EUPL-120200	1200	2009	414	1200	1885	315
EUPL-120200	1200	2009	514	1200	1885	415
EUPL-120200	1200	2009	614	1200	1885	515

SIDE PANELS EUFX

CHARACTERISTICS

Manufactured from AISI 304L stainless steel sheet (AISI 316L on request) with rounded folding.

SUPPLY

- two side panels
- rapid fasten couplers
- mounting accessories.

To order the side panels for the mounting of 180° hinges, add the suffix "C" to the code (i.e.: EUFX-040180C).



SIDE PANELS

EUFX CODE	DIMENSIONS	
	HEIGHT	DEPTH
EUFX-040180	1800	400
EUFX-050180	1800	500
EUFX-060180	1800	600
EUFX-050200	2000	500
EUFX-060200	2000	600

To order the item in high grade AISI 316L, add the suffix "H" to the code. (i.e.: EUFX-040180H).

INNER DOOR EUPIX

CHARACTERISTICS

Manufactured from AISI304L stainless steel material (AISI 316L on request) and supplied complete with vertical uprights and horizontal rails.

SUPPLY

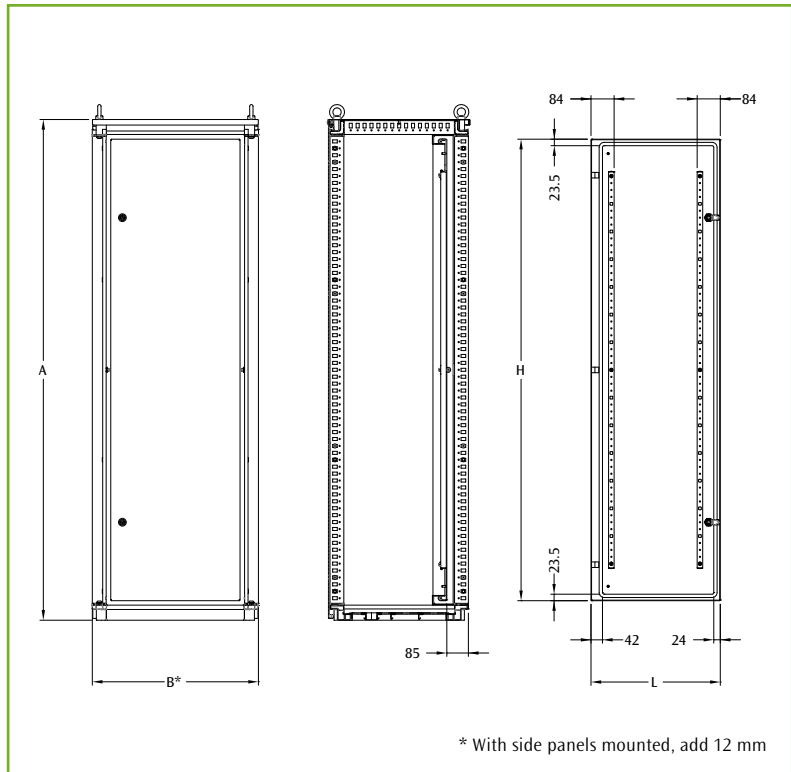
- door complete with Ø 3 mm double bar locking system
- hinges
- vertical uprights and horizontal rails
- mounting accessories.

INNER DOOR

EUPIX CODE	CABINET DIM.		INNER DOOR	
	B*	A	L	H
EUPIX-060180	600	1809	467	1667
EUPIX-060200	600	2009	467	1867
EUPIX-080180	800	1809	667	1667
EUPIX-080200	800	2009	667	1867
EUPIX-100180	1000	1809	867	1667
EUPIX-100200	1000	2009	867	1867

To order the item in high grade AISI 316L, add the suffix "H" to the code. (i.e.: EUPIX-060180H).

Profiles for inner door (see WTPP for H=1800 or 2000mm) on page 57) to be ordered separately.



Stainless steel



MODULAR PLINTH EUZX

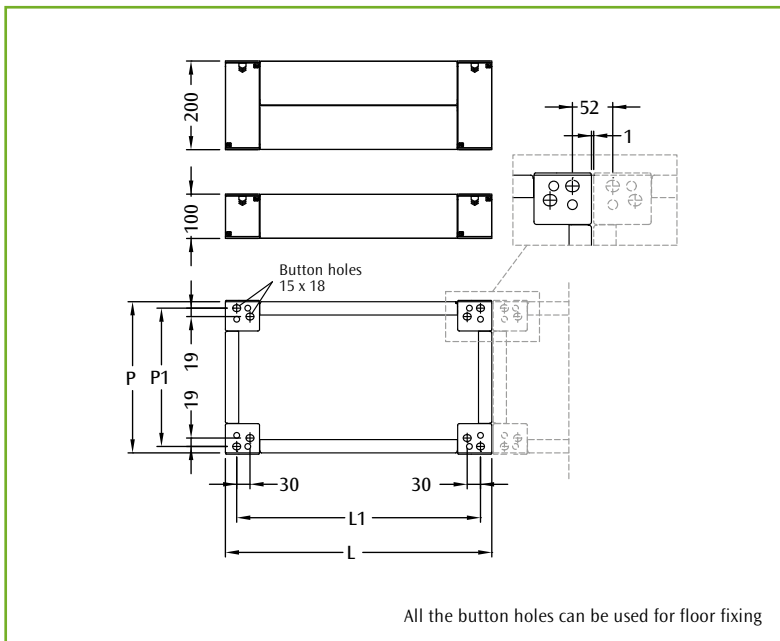
CHARACTERISTICS

Corner pieces manufactured from AISI 304L stainless steel (AISI 316L on request), with front covers made from stainless steel. Front/side crosspieces manufactured from AISI 304L stainless steel (AISI 316L on request).

SUPPLY

The modular plinth is made up of:

- corner pieces: supply includes 4 pieces complete with front covers and mounting hardware
- front/rear crosspieces: supply includes 2 pieces
- side crosspieces: supply includes 2 pieces.



Stainless steel

DIMENSIONAL SPECIFICATIONS

CABINET DIM.		PLINTH DIM.		CENT. DISTANCES	
W	D	L	P	L1	P1
600	400	600	378	549	349
600	500	600	478	549	449
600	600	600	578	549	549
800	400	800	378	749	349
800	500	800	478	749	449
800	600	800	578	749	549
1000	500	1000	478	949	449
1000	600	1000	578	949	549
1200	400	1200	378	1149	349
1200	500	1200	478	1149	449
1200	600	1200	578	1149	549

To order the item in high grade AISI316L, add the suffix "H" to the code (i.e. EUZX-T0400H).

To order the plinth H=200, add the suffix D to the code (i.e. EUZX-T0400D).

UNIVERSAL FRONT/SIDE CROSSPIECES

EUZX CODE	DESCRIPTION	CROSS. LENGTH MM
EUZX-T0400	FRONT/SIDE CROSSPIECES FOR PLINTH W=400	244
EUZX-T0500	FRONT/SIDE CROSSPIECES FOR PLINTH W=500	344
EUZX-T0600	FRONT/SIDE CROSSPIECES FOR PLINTH W=600	444
EUZX-T0800	FRONT/SIDE CROSSPIECES FOR PLINTH W=800	644
EUZX-T1000	FRONT/SIDE CROSSPIECES FOR PLINTH W=1000	844
EUZX-T1200	FRONT/SIDE CROSSPIECES FOR PLINTH W=1200	1044

UNIVERSAL CORNER PIECES

EUZX CODE	DESCRIPTION
EUZX-A100	CORNER PIECES FOR PLINTH H=100
EUZX-A200	CORNER PIECES FOR PLINTH H=200



PLINTH EUZX

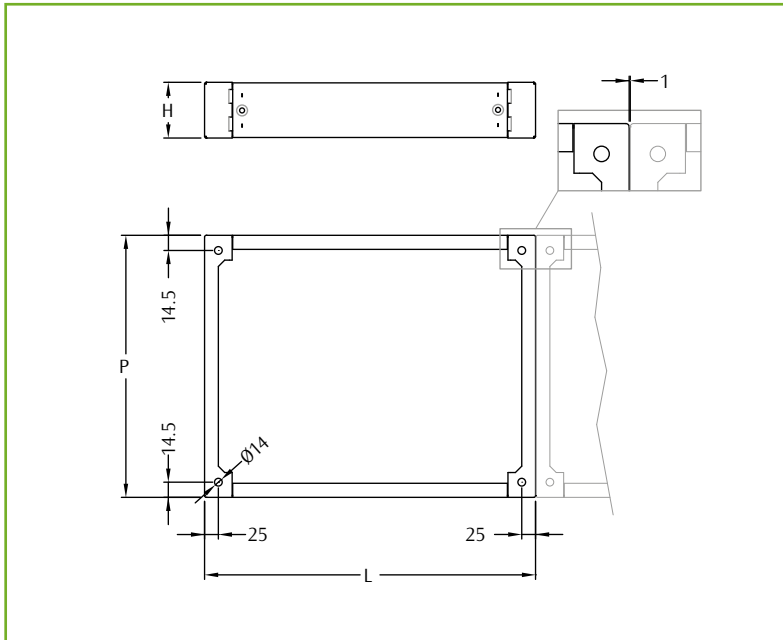
CHARACTERISTICS

Front crosspieces and side crosspieces with integrated corners manufactured from AISI 304L stainless steel (AISI 316L on request).

SUPPLY

The plinth is made up of:

- front crosspieces: supply includes 2 pieces
- side crosspieces with integrated corners: supply includes 2 pieces with mounting screws.



To order the item in high grade AISI316L, add the suffix "H" to the code (i.e. EUZX-P0500H).

To order the side cross-pieces with integrated corners H=200 mm, add the suffix "D" to the code (i.e. EUZX-P0400D).

To order the plinth H=200mm, order 2 packages of front cross-pieces (i.e. Plinth H=200 mm dim. 800x500: 1 x EUZX-P0500D + 2 x EUZX-L0800).

Stainless steel

SIDE CROSSPIECES WITH INTEGRATED CORNERS

EUZX CODE	DESCRIPTION	CROSS. H. MM
EUZX-P0400	SIDE CROSSPIECES WITH INTEGRATED CORNERS FOR PLINTH D=400	100
EUZX-P0500	SIDE CROSSPIECES WITH INTEGRATED CORNERS FOR PLINTH D=500	100
EUZX-P0600	SIDE CROSSPIECES WITH INTEGRATED CORNERS FOR PLINTH D=600	100

FRONT CROSSPIECES E NUX

EUZX CODE	DESCRIPTION
EUZX-L0600	FRONT. CROSSPIECES FOR PLINTH W=600
EUZX-L0800	FRONT. CROSSPIECES FOR PLINTH W=800
EUZX-L1000	FRONT. CROSSPIECES FOR PLINTH W=1000
EUZX-L1200	FRONT. CROSSPIECES FOR PLINTH W=1200



SHROUD FOR FILTER FANS

In the presence of a ventilation or filtering system (cf. page 329), this cover kit determines maintenance of the IP protection rating in the event of heavy duty installation or environments.

CHARACTERISTICS

In AISI304L stainless steel sheet (AISI316 on request).

SUPPLY

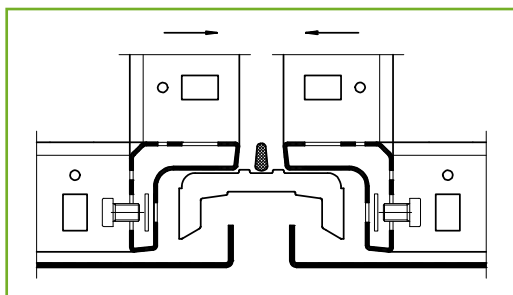
A single piece complete with assembly accessories.

PROTECTION RATING

- Filter/fan: IP56 compliant with EN60529.
- Protection rating guaranteed by the gasket.
- Resistance in saline mist and humidistat: pending.

SHROUD FOR FILTER FANS

WTCV CODE		COMPATIBLE WITH	
STAINLESS STEEL SHEET AISI304L	STAINLESS STEEL SHEET AISI316L	FAN	GRID
WTCV10X	WTCV10H	WTSV1000203 / WTSV1000211 / WTSV1000220	WTSG10
WTCV15X	WTCV15H	WTSV1500203 / WTSV1500211 / WTSV1500220	WTSG15
WTCV20X	WTCV20H	WTSV2000203 / WTSV2000211 / WTSV2000220	WTSG20
WTCV25X	WTCV25H	WTSV2500203 / WTSV2500211 / WTSV2500220 WTSV2501203 / WTSV2501220	WTSG25
WTCV30X	WTCV30H	WTSV3000203 / WTSV3000220 / WTSV3001203 WTSV3001220 / WTSV3002203 / WTSV3002220 WTSV3002262	WTSG30



Stainless steel

JOINING KIT EUKU-002X

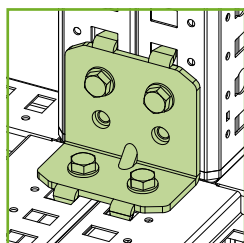
To be used to join two cabinets together. It is better to use lifting brackets WTSS-001 instead of lifting eyebolts.

CHARACTERISTICS

Manufactured from stainless steel AISI316L.

SUPPLY

Includes union spacers, fixing accessories and gasket to guarantee IP protection degree.



REINFORCING BRACKETS EUKU-003

To be used to grant more rigidity to cabinets joined in a suite.

CHARACTERISTICS

Manufactured from zincpassivated sheet steel.

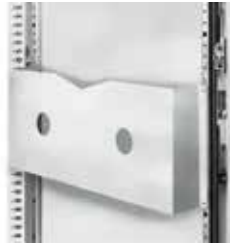
SUPPLY

Includes 4 pieces with mounting accessories.



STAINLESS STEEL CABLE GLANDS

Stainless steel cable glands are available (see pages 267).



PLAN POCKET

Large size plan manufactured stainless steel sheet.

 **SUPPLY**

Includes 1 piece complete with mounting screws.

PLAN POCKET

WTTS CODE	DOOR WIDTH
WTTS-000600X	600
WTTS-000800X	800
WTTS-001000X	1000



180° CHROME HINGES EUCE-180001C

Supply includes 4 pieces (door requires machining to fit).



LEVELLING FEET WTPX-005X

They can be applied on the cabinet structure or plinth. They make easier for floor cleaning and are height adjustable.

 **SUPPLY**

Includes 4 pieces complete with pin in AISI 304L, plastic base, plate and mounting accessories.



DOOR STOP WTFP-001X

It allows the mechanical stop of the door (90°), preventing the accidental closing.

 **SUPPLY**

Includes 1 piece with mounting accessories.



EYEBOLTS M12 WTGS-001X

M12 lifting eyebolts manufactured from stainless steel. Includes 4 pieces.



LIFTING BRACKETS WTSS-001

Zincpassivated sheet steel lifting brackets. Supply includes 4 pieces.



CHARACTERISTICS

Structure manufactured from AISI304L stainless steel sheet with removable rear panel (AISI 316L on request). Door manufactured from AISI304L stainless steel sheet with stiffening frame (AISI 316L on request). Front inserted mounting plate manufactured from sendzimir sheet steel (for E MOX $W \geq 1000$ mm, EUPA mounting plate. Hinges in AISI316L stainless steel.

SUPPLY

- cabinet structure with upper aesthetic profiles and rear panel
- door with formed corners complete with $\varnothing 3$ mm lever-operated double bar locking system, silicone seal and tubular stiffening frame
- modular and adjustable cable entry with sealing gasket
- front-inserted mounting plate.

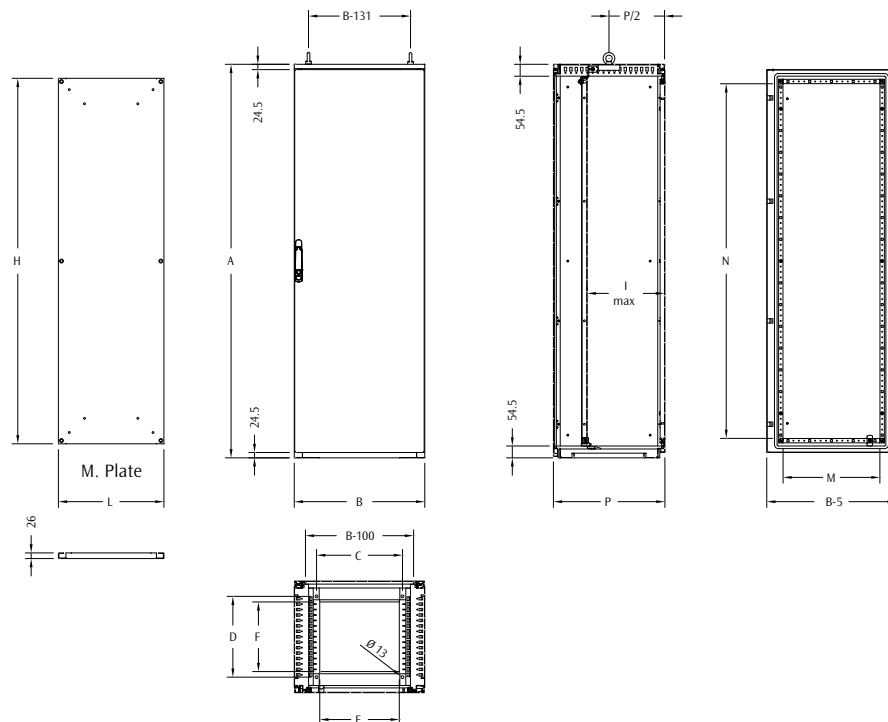
PROTECTION RATING

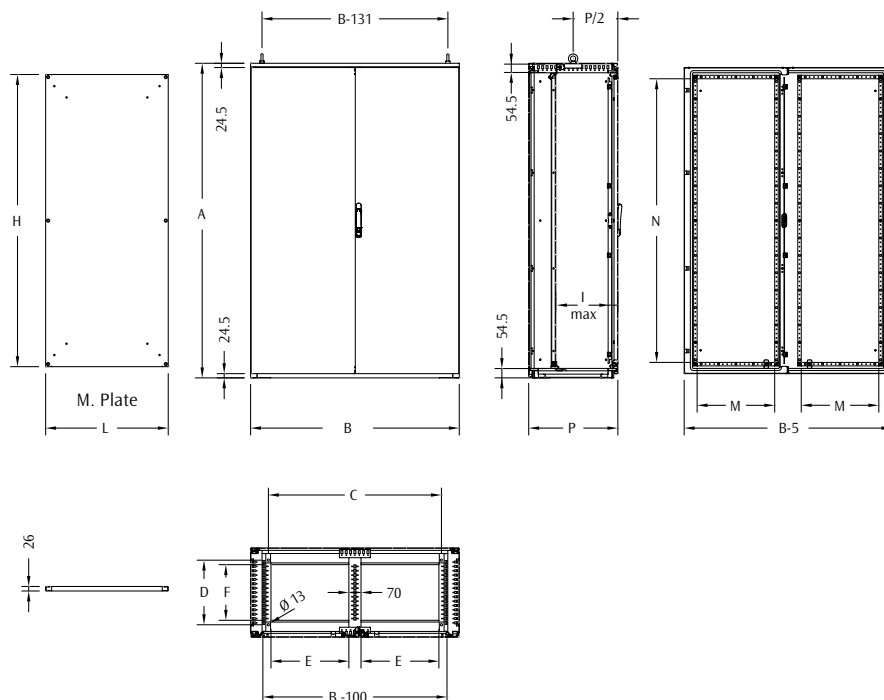
- IP66 (single blank door), IP55 plexi and double door) complying with IEC EN62208; EN62262
- NEMA 12 complying with UL508A; UL50*
- protection degree guaranteed by the two-component silicone foam seal
- impact resistance IK10 complying with IEC EN62208; EN62262.



* NEMA 4X available on request.

Stainless steel





E MOX STAINLESS STEEL WITH SINGLE BLANK DOOR

E MOX CODE	CABINET DIMENSIONS			FLOOR FIXING		CABLE ENTRY		DOOR SPACE		MOUNTING PLATE DIM.		
	B	A	P	C	D	E	F	M	N	L	H	I
EMOX-061604PRX	600	1609	414	550	310	365	220	445	1430	485	1480	350
EMOX-061804PRX	600	1809	414	550	310	365	220	445	1630	485	1680	350
EMOX-061805PRX	600	1809	514	550	410	365	320	445	1630	485	1680	450
EMOX-062004PRX	600	2009	414	550	310	365	220	445	1830	485	1880	350
EMOX-062005PRX	600	2009	514	550	410	365	320	445	1830	485	1880	450
EMOX-081604PRX	800	1609	414	750	310	565	220	645	1430	685	1480	350
EMOX-081804PRX	800	1809	414	750	310	565	220	645	1630	685	1680	350
EMOX-081805PRX	800	1809	514	750	410	565	320	645	1630	685	1680	450
EMOX-082004PRX	800	2009	414	750	310	565	220	645	1830	685	1880	350
EMOX-082005PRX	800	2009	514	750	410	565	320	645	1830	685	1880	450
EMOX-101804PRX	1000	1809	414	950	310	765	220	845	1630	885	1680	350
EMOX-102004PRX	1000	2009	414	950	310	765	220	845	1830	885	1880	350

Stainless steel

To order the item in high grade AISI 316L, add the suffix "H" to the code. (i.e.: EMOX-061604PRXH).

E MOX STAINLESS STEEL WITH DOUBLE BLANK DOOR

E MOX CODE	CABINET DIMENSIONS			FLOOR FIXING		CABLE ENTRY		DOOR SPACE		MOUNTING PLATE DIM.		
	B	A	P	C	D	E	F	M	N	L	H	I
EMOX-121804PRX	1200	1809	414	995	310	447	220	445	1630	1085	1680	350
EMOX-121805PRX	1200	1809	514	995	410	447	320	445	1630	1085	1680	450
EMOX-122004PRX	1200	2009	414	995	310	447	220	445	1830	1085	1880	350

To order the item in high grade AISI 316L, add the suffix "H" to the code. (i.e.: EMOX-121804PRXH).



CHARACTERISTICS

Structure manufactured from AISI304L stainless steel sheet (AISI 316L on request). Door manufactured from AISI304L stainless steel sheet (AISI316L on request). Front inserted mounting plate manufactured from sendzimir sheet steel.

SUPPLY

Enclosure complete with:

- door with formed corners complete with $\varnothing 3$ mm lever-operated double bar locking system, 2 stiffening sendzimir profiles and silicone seal
- adjustable cable entry
- front inserted mounting plate.

PROTECTION RATING

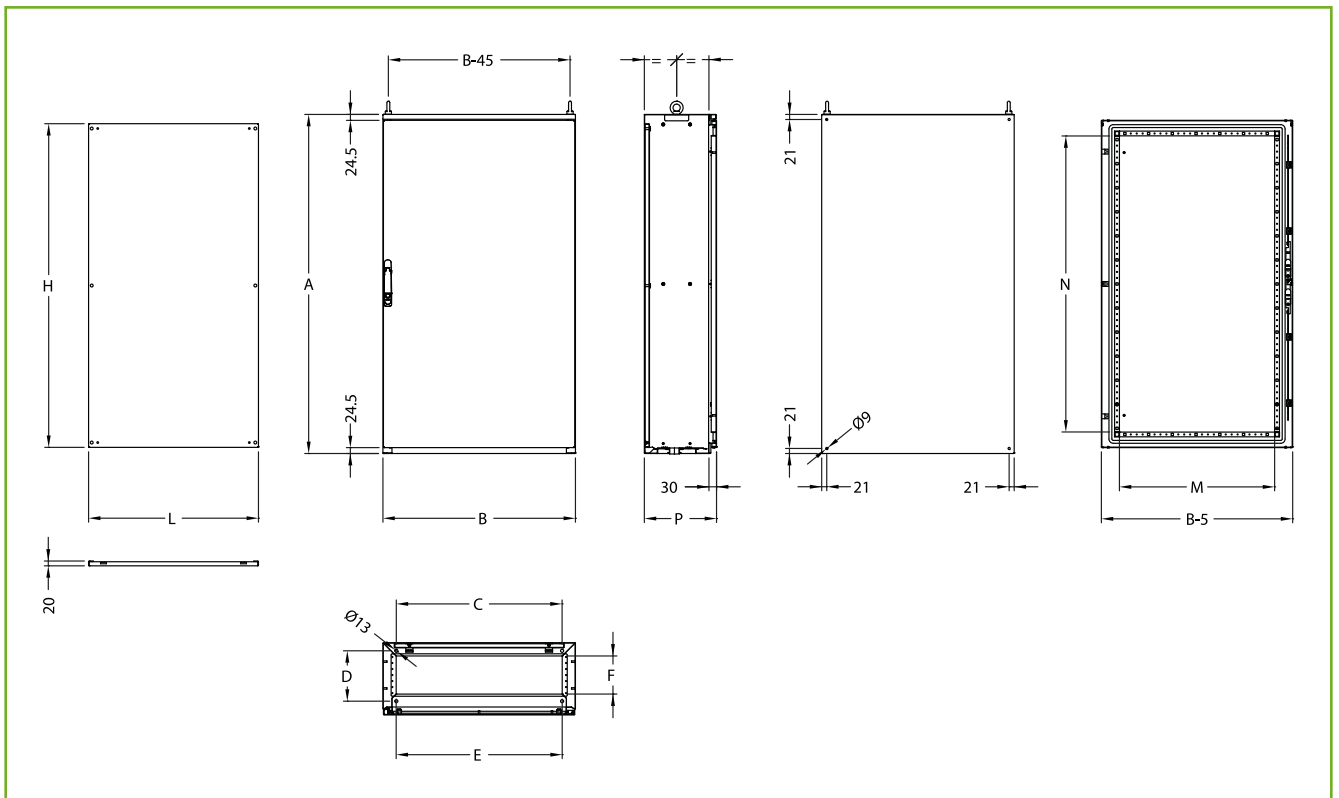
- IP55 complying with IEC EN62208; EN62262
- NEMA 12 complying with UL508A; UL50*
- protection degree guaranteed by the two-component silicone foam seal
- impact resistance IK10 complying with IEC EN62208; EN62262.

Available on request.



* NEMA 4X available on request.

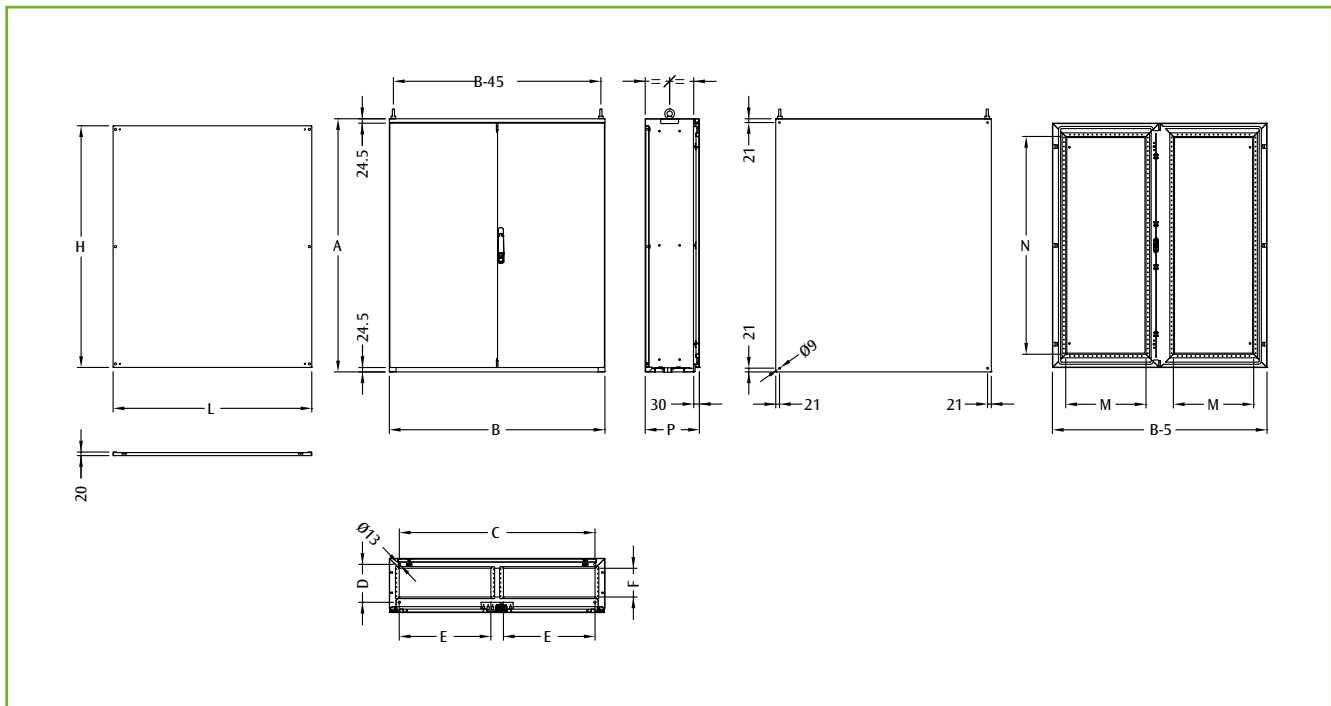
Stainless steel



E COMP STAINLESS STEEL WITH SINGLE DOOR

E COMP CODE	CABINET DIMENSIONS			FLOOR FIXING		CABLE ENTRY		DOOR SPACE		MOUNT. PLATE DIM.	
	B	A	P	C	D	E	F	M	N	L	H
ECOMP6-1240X	600	1209	400	550	320	490	260	445	1030	506	1145
ECOMP6-1430X	600	1409	300	550	220	490	160	445	1230	506	1345
ECOMP6-1440X	600	1409	400	550	320	490	260	445	1230	506	1345
ECOMP8-1240X	800	1209	400	750	320	690	260	645	1030	706	1145
ECOMP8-1430X	800	1409	300	750	220	690	160	645	1230	706	1345
ECOMP8-1440X	800	1409	400	750	320	690	260	645	1230	706	1345

To order the item in high grade AISI 316L, add the suffix "H" to the code. (i.e.: ECOMP6-1240XH).



Stainless steel

E COMP STAINLESS STEEL WITH DOUBLE DOOR

E COMP CODE	CABINET DIMENSIONS			FLOOR FIXING		CABLE ENTRY		DOOR SPACE		MOUNT. PLATE DIM.	
	B	A	P	C	D	E	F	M	N	L	H
ECOMP10-1240X	1000	1209	400	950	320	390	260	345	1030	906	1145
ECOMP10-1430X	1000	1409	300	950	220	390	160	345	1230	906	1345
ECOMP10-1440X	1000	1409	400	950	320	390	260	345	1230	906	1345
ECOMP12-1240X	1200	1209	400	1150	320	490	260	345	1030	1106	1145
ECOMP12-1430X	1200	1409	300	1150	220	490	160	445	1230	1106	1345
ECOMP12-1440X	1200	1409	400	1150	320	490	260	445	1230	1106	1345

To order the item in high grade AISI 316L, add the suffix "H" to the code. (i.e.: ECOMP10-1240XH).

PLINTH EUZX

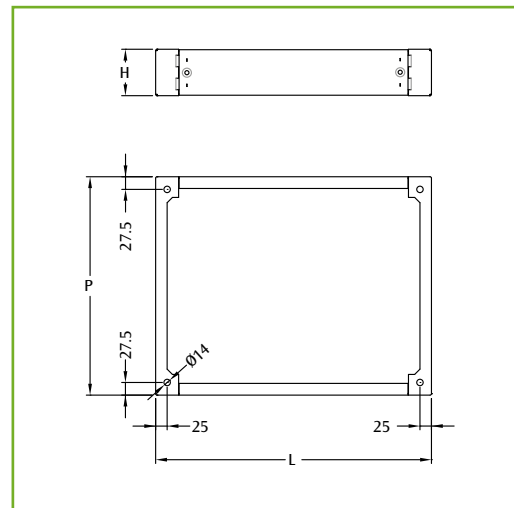
CHARACTERISTICS

Front crosspieces and side crosspieces with integrated corners manufactured from AISI 304L stainless steel (AISI 316L on request).

SUPPLY

The plinth is made up of:

- front crosspieces: supply includes 2 pieces
- side crosspieces with integrated corners: supply includes 2 pieces with mounting screws.



DIMENSIONAL SPECIFICATIONS

CABINET DIMENSIONS		PLINTH DIM.	
WIDTH	DEPTH	L	P
600	400	600	365
600	500	600	465
800	400	800	365
800	500	800	465
1000	400	1000	365
1000	500	1000	465
1200	400	1200	365
1200	500	1200	465

FRONT CROSSPIECES E MOX

EUZX CODE	DESCRIPTION
EUZX-L0600M	FRONT. CROSSPIECES FOR PLINTH W=600
EUZX-L0800M	FRONT. CROSSPIECES FOR PLINTH W=800
EUZX-L1000M	FRONT. CROSSPIECES FOR PLINTH W=1000
EUZX-L1200M	FRONT. CROSSPIECES FOR PLINTH W=1200

To order the plinth H=200mm, order 2 packages of front crosspieces (i.e. Plinth H=200 mm dim. 800x500: 1 x EUZX-P0500MD + 2 x EUZX-L0800M).

To order the item in higher grade AISI316L, add the suffix "H" to the code (i.e. EUZX-P0500MH).

SIDE CROSSPIECES WITH INTEGRATED CORNERS E MOX


EUZX CODE	DESCRIPTION	CROSS. HEIGHT MM
EUZX-P0400M	SIDE CROSSPIECES WITH INTEGRATED CORNERS FOR PLINTH D=400	100
EUZX-P0400MD	SIDE CROSSPIECES WITH INTEGRATED CORNERS FOR PLINTH D=400	200
EUZX-P0500M	SIDE CROSSPIECES WITH INTEGRATED CORNERS FOR PLINTH D=500	100
EUZX-P0500MD	SIDE CROSSPIECES WITH INTEGRATED CORNERS FOR PLINTH D=500	200

DIMENSIONAL SPECIFICATIONS

CABINET DIMENSIONS		PLINTH DIM.	
WIDTH	DEPTH	L	P
600	300	600	275
600	400	600	375
800	300	800	275
800	400	800	375
1000	300	1000	275
1000	400	1000	375
1200	300	1200	275
1200	400	1200	375

FRONT CROSSPIECES E COMP

EUZX CODE	DESCRIPTION
EUZX-L0600M	FRONT. CROSSPIECES FOR PLINTH W=600
EUZX-L0800M	FRONT. CROSSPIECES FOR PLINTH W=800
EUZX-L1000M	FRONT. CROSSPIECES FOR PLINTH W=1000
EUZX-L1200M	FRONT. CROSSPIECES FOR PLINTH W=1200

 To order the plinth H=200 mm, order 2 packages of front crosspieces (i.e. Plinth H=200 mm dim. 600x400: 1 x EUZX-P0400PD + 2 x EUZX-L0600M).

To order the item in higher grade AISI316L, add the suffix "H" to the code (i.e. EUZX-P0500PH).

SIDE CROSSPIECES WITH INTEGRATED CORNERS E COMP

EUZX CODE	DESCRIPTION	CROSS. HEIGHT MM
EUZX-P0300P	SIDE CROSSPIECES WITH INTEGRATED CORNERS FOR PLINTH D=300	100
EUZX-P0300PD	SIDE CROSSPIECES WITH INTEGRATED CORNERS FOR PLINTH D=300	200
EUZX-P0400P	SIDE CROSSPIECES WITH INTEGRATED CORNERS FOR PLINTH D=400	100
EUZX-P0400PD	SIDE CROSSPIECES WITH INTEGRATED CORNERS FOR PLINTH D=400	200



180° HINGES EUCE

Chrome hinges for 180° opening (door requires machining to fit).

SUPPLY

Includes 3 pieces with mounting screws (EUCE-180008C).
Includes 4 pieces with mounting screws (EUCE-180009C).



EYEBOLTS WTGS-003

Zincpassivated M12 lifting eyebolts.

SUPPLY

Includes 2 pieces with nuts and washers.

Stainless steel

COMPATIBILITY WITH E NUX SYSTEM AND ETA ACCESSORIES:

- vertical uprights EUMI, see page 106
- rails WTPR H=50 mm
- microswitch W1100M
- further ETA accessories for the inner mounting.

WALL MOUNTING BRACKETS SDWCX-010

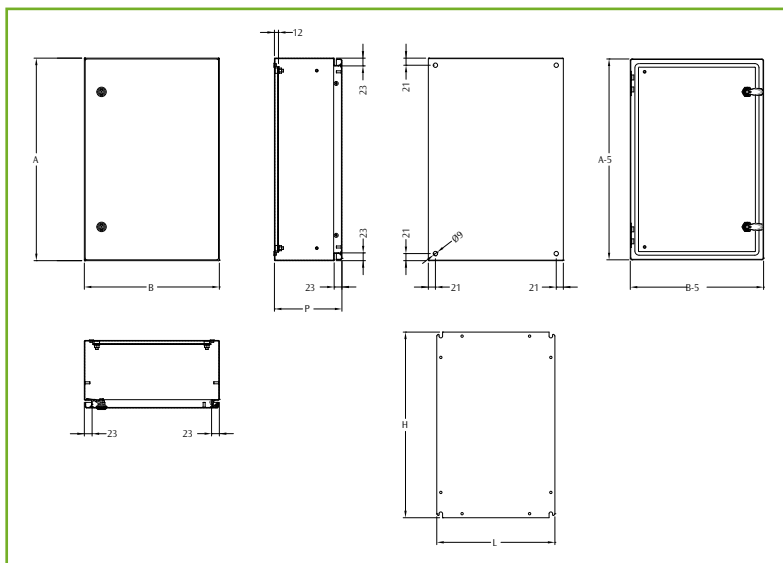
Manufactured from AISI 316L stainless steel.

SUPPLY

Includes 4 pieces.

FURTHER ACCESSORIES

- vertical rails, see page 116
- fast-fixing brackets WTPR-R, see page 116
- sliding rails ECPP, see page 116.



CHARACTERISTICS

Enclosure and door with formed corners manufactured from pre-satinized AISI 304L stainless steel sheet (AISI 316L on request). Flat mounting plate manufactured from sendzimir sheet steel with slots in the corners. Hinges in stainless steel.

SUPPLY

- Box complete with:
- mounting plate
 - door with locking system (box and insert in zinc alloy, lever in stainless steel) with Ø 3mm double bar key
 - package with screws for earth connection and mounting plate.

PROTECTION RATING

- IP66 complying with IEC EN62208; EN62262
- NEMA 4X complying with UL508A; UL50
- protection degree guaranteed by the two-component silicone foam seal*
- impact resistance IK10 complying with IEC EN62208; EN62262.

From size 600x800, box supplied with door rails already mounted.

STAINLESS STEEL BOX WITH SINGLE BLANK DOOR

CODE UNTIL 31/05/2022	CODE FROM 01/06/2022	AVAILABLE	BOX DIMENSIONS			M. PLATE DIM.		N. LOCKS / TYPE	CODE UNTIL 31/05/2022	CODE FROM 01/06/2022	AVAILABLE	BOX DIMENSIONS			M. PLATE DIM.		N. LOCKS / TYPE
			B	A	P	L	H					B	A	P	L	H	
ECOR2-315X	EC020315X	■	200	300	150	150	250	1	ECOR6-420X	EC060420X	■	600	400	200	550	350	1
ECOR3-315X	EC030315X	■	300	300	150	250	250	1	ECOR6-520X	EC060520X	■	600	500	200	550	450	2
ECOR3-320X	EC030320X	■	300	300	200	250	250	1	ECOR6-620X	EC060620X	■	600	600	200	550	550	2
ECOR3-415X	EC030415X	■	300	400	150	250	350	1	ECOR6-625X	EC060625X	■	600	600	250	550	550	2
ECOR3-420X	EC030420X	■	300	400	200	250	350	1	ECOR6-630X	EC060630X	■	600	600	300	550	550	2
ECOR4-315X	EC040315X	■	400	300	150	350	250	1	ECOR6-820X	EC060820X	■	600	800	200	550	750	2
ECOR4-320X	EC040320X	■	400	300	200	350	250	1	ECOR6-825X	EC060825X	■	600	800	250	550	750	2
ECOR4-420X	EC040420X	■	400	400	200	350	350	1	ECOR6-830X	EC060830X	■	600	800	300	550	750	2
ECOR4-425X	EC040525X	■	400	400	250	350	350	1	ECOR6-1030X	EC061030X	■	600	1000	300	550	950	2
ECOR4-520X	EC040520X	■	400	500	200	350	450	1	ECOR6-1230X	EC061230X	■	600	1200	300	550	1150	ROD SYST.
ECOR4-620X	EC040620X	■	400	600	200	350	550	2	ECOR8-630X	EC080630X	■	800	600	300	750	550	2
ECOR4-625X	EC040625X	■	400	600	250	350	550	2	ECOR8-830X	EC080830X	■	800	800	300	750	750	2
ECOR5-520X	EC050520X	■	500	500	200	450	450	1	ECOR8-1030X	EC081030X	■	800	1000	300	750	950	2
ECOR5-525X	EC050525X	■	500	500	250	450	450	1	ECOR8-1230X	EC081230X	■	800	1200	300	750	1150	ROD SYST.
ECOR5-530X	EC050530X	■	500	500	300	450	450	1	ECOR8-1430X	EC081430X	■	800	1400	300	750	1350	ROD SYST.
ECOR5-620X	EC050620X	■	500	600	200	450	550	2									
ECOR5-720X	EC050720X	■	500	700	200	450	650	2									
ECOR5-725X	EC050725X	■	500	700	250	450	650	2									

■ IN STOCK
■ UPON REQUEST

Until May 31, 2022, add the "H" suffix to the code to order the AISI316L steel item (i.e.: ECOR2-315XH).

After June 1, 2022, replace the "X" suffix with an "H" to order the AISI316L steel item (i.e.: EC020315H).

Available upon request.



CHARACTERISTICS

Enclosure and door with formed corners manufactured from pre-satinized AISI 304L stainless steel sheet (AISI 316L on request). Flat mounting plate manufactured thick sendzimir sheet steel provided with slots in the corners. Hinges in stainless steel.

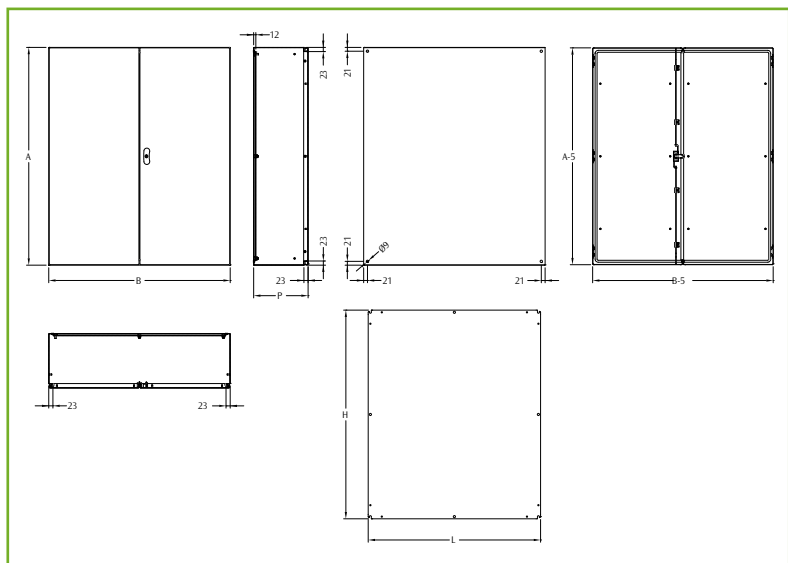
SUPPLY

Box complete with:

- mounting plate
- door with locking system (insert in zinc alloy, lever in stainless steel) with Ø 3mm double bar key
- package with screws for earth connection and mounting plate.

PROTECTION RATING

- IP55 complying with IEC EN62208; EN62262
- NEMA 12 complying with UL508A; UL50
- protection degree guaranteed by the two-component silicone foam seal
- impact resistance IK10 complying with IEC EN62208; EN62262.



- IN STOCK
- UPON REQUEST

STAINLESS STEEL BOX WITH DOUBLE BLANK DOOR

CODE UNTIL 31/05/2022	CODE FROM 01/06/2022	AVAILABLE	BOX DIMENSIONS			M.PLATE DIM.		CODE UNTIL 31/05/2022	CODE FROM 31/05/2022	AVAILABLE	BOX DIMENSIONS			M.PLATE DIM.	
			B	A	P	L	H				B	A	P	L	H
ECOR10-830X	EC100830X	■	1000	800	300	950	750	ECOR12-830X	EC120830X	■	1200	800	300	1150	750
ECOR10-1030X	EC101030X	■	1000	1000	300	950	950	ECOR12-1230X	EC121230X	■	1200	1200	300	1150	1150
ECOR10-1230X	EC101230X	■	1000	1200	300	950	1150								

Stainless steel

Until May 31, 2022, add the "H" suffix to the code to order the AISI316L steel item (I.e.: ECOR2-315XH).
After June 1, 2022, replace the "X" suffix with an "H" to order the AISI316L steel item (I.e.: EC020315H).

SPARE PARTS - E COR STAINLESS STEEL

DIMENSIONS			MOUNTING PLATE	DIMENSIONS			MOUNTING PLATE
L	H	P		L	H	P	
200	300	150	ECPA-020030	600	400	200	ECPA-060040
300	300	150	ECPA-030030	600	600	200	ECPA-060060
300	400	150	ECPA-030040	600	600	250	ECPA-060060
300	400	200	ECPA-030040	600	600	300	ECPA-060060
400	300	150	ECPA-040030	600	800	200	ECPA-060080
400	400	200	ECPA-040040	600	800	250	ECPA-060080
400	400	250	ECPA-040040	600	800	300	ECPA-060080
400	500	200	ECPA-040050	600	1200	300	ECPA-060120
400	600	200	ECPA-040060	800	800	300	ECPA-080080
400	600	250	ECPA-040060	800	1000	300	ECPA-080100
500	500	200	ECPA-050050	800	1200	300	ECPA-080120
500	500	250	ECPA-050050	1000	1000	300	ECPA-100100
500	700	200	ECPA-050070	1000	1200	300	ECPA-100120
500	700	250	ECPA-050070				

For any requirement following your purchase order, the spare parts listed in the table can be ordered.





CHARACTERISTICS

Enclosure manufactured from sheet steel supplied without cable entry and with mounting plate manufactured from sendzimir sheet steel. External anti-rotation and anti-slip stud M6 (H=15mm) copper-plated steel, welded on the enclosure.

SUPPLY

Enclosure complete with:

- mounting plate.
- door with door with locking system (box and insert in zinc alloy, lever in stainless steel) with Ø 3mm double bar key and two-component silicone foam seal
- package with screws for earth connection and mounting plate.

PAINT FINISH

ETA standard finishing cycle: paint-based primer with deposition by cathoresis with epoxy resin and finishing using thermosetting powders. Colour: RAL 7035 textured finish.



For wall mounting, order brackets SDWC-010



The requirements of the enclosures that are intended to be used in explosive atmosphere (ATEX) are high: the wide range of ETA boxes fully responds to both the standard required by the directive and the need of the market to have a product for increased safety and with enclosure against dust and gas.

ETA wall-mounting boxes ...EE are in compliance with the European Directive 2014/34/UE that aims to ensure the free circulation in the EU countries for the products concerned and it is applied to the equipment and protective systems indeed to be used in potentially explosive atmosphere (AtEx), for the presence of flammable substances in the form of gases, vapours, mists or dusts.

According to the reference standards EN IEC60079-0; EN60079-7 and EN60079-31 boxes are "electric enclosures" classified for category II and zones 1, 2, 21, 22 for gas and dust (GD) with protection method EX, eb, tb.

Protection methods EX, eb, tb, are based on the idea of prevention; to comply with that the directive establishes a high structural level and restrictive features of equipments and components, and strict periodic tests of process on the approved products IEC 80079-34 and ISO 9001.

Stainless Steel

PROTECTION RATING

- IP65 complying with EN60529 for **ST** and **ECOR**
- IP66 complying with EN60529 for **EC**
- NEMA 4 (ST...EE), Nema 4X (E COR...EEX) complying with UL508A; UL50
- protection degree guaranteed by the two-component polyurethane foam seal
- impact resistance IK10 complying with EN62262;

CONFORMITY

- According to certification **IMQ 09 ATEX 037 U** ATEX classification for increased safety and via enclosures
II2G Ex eb IIC Gb
II2D Ex tb IIIC Db

SERVICE TEMPERATURE

- T min = -20°C; T max = +80°C for **ST** and **ECOR** rangers
- T min = -60°C; T max = +130°C for **EC** range

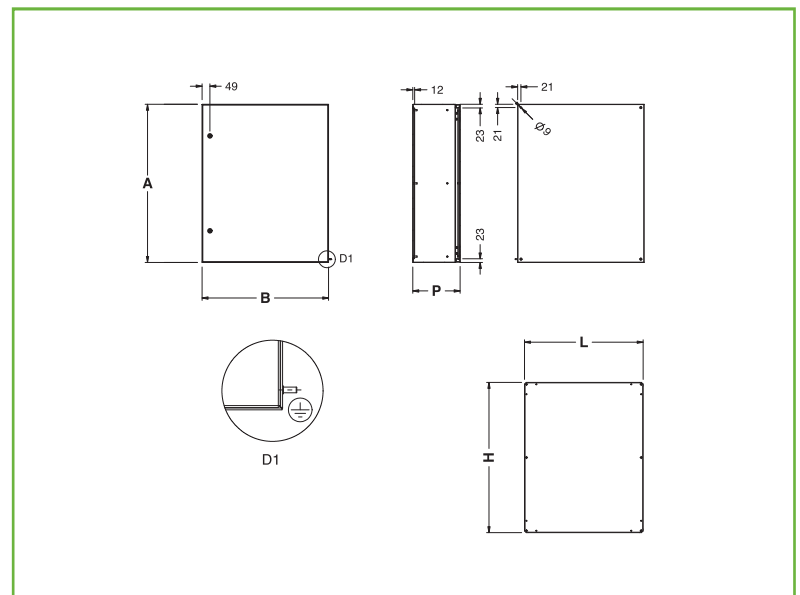
ST ECOR EC ATEX

ZONE	SAFETY (ATEX)	ENVIROMENT	MATERIAL OF ENCLOSURE	SUGGESTED ETA RANGE
1, 21	eb (increased)	Industrial	Mild Steel	ST...EE
2, 22	tb (protection by enclosure)	Harsh	Stainless Steel	ECOR...EEX

PRODUCT CODE IDENTIFICATION

PRODUCT RANGE	DIMENSIONS (VxHxD)	MILD STEEL VERSION	STAINLESS STEEL* VERSION
ST	2315	EE	/
ECOR	2-315	/	EEX / EEXH
EC	025315	EE	EEX / EEXH

*X= Stainless Steel 304 L - XH= Stainless Steel 316 L





CHARACTERISTICS

Structure and door with formed corners manufactured from pre-satinized AISI304L stainless steel sheet (AISI316L on request). Flat mounting plate manufactured from sendzimir sheet steel, with slots in the corners. Hinges in stainless steel. External anti-rotation and anti-slip stud M6 (H=15mm) in AISI304L stainless steel, welded on the enclosure.

SUPPLY

Enclosure complete with:

- mounting plate
- door with locking system (box and insert in zinc alloy, lever in stainless steel) with Ø 3mm double bar key, and two-component silicone foam seal
- package with screws for earth connection and mounting plate.

For wall mounting,
order brackets
SDWCX-010



CUSTODIE ELETTRICHE

MILD STEEL		STAINLESS STEEL AISI 304L		BOX DIMENSIONS			MOUNT. PLATE DIM.		NO.OF LOCKS/ROD SYSTEM
COD. FINO AL 31/05/2022	COD. DAL 01/06/2022	COD. FINO AL 31/05/2022	COD. DAL 01/06/2022	B	A	P	L	H	
ST2315EE	EC025315EE	ECOR2-315EEX	EC025315EEX	200	300	150	150	250	1
ST3315EE	EC030315EE	ECOR3-315EEX	EC030315EEX	300	300	150	250	250	1
ST3415EE	EC030415EE	ECOR3-415EEX	EC030415EEX	300	400	150	250	350	1
ST3420EE	EC030420EE	ECOR3-420EEX	EC030420EEX	300	400	200	250	350	1
ST3515EE	EC030515EE	N.A.	N.A.	300	500	150	250	450	1
ST3520EE	EC030520EE	N.A.	N.A.	300	500	200	250	450	1
ST4315EE	EC040315EE	ECOR4-315EEX	EC040315EEX	400	300	150	350	250	1
ST4320EE	EC040320EE	N.A.	N.A.	400	300	200	350	250	1
ST4420EE	EC040420EE	ECOR4-420EEX	EC040420EEX	400	400	200	350	350	1
N.A.	N.A.	ECOR4-425EEX	EC040425EEX	400	400	250	350	350	1
ST4515EE	EC040515EE	N.A.	N.A.	400	500	150	350	450	1
ST4520EE	EC040520EE	ECOR4-520EEX	EC040520EEX	400	500	200	350	450	1
ST4525EE	EC040525EE	N.A.	N.A.	400	500	250	350	450	1
ST4620EE	EC040620EE	ECOR4-620EEX	EC040620EEX	400	600	200	350	550	2
ST4625EE	EC040625EE	ECOR4-625EEX	EC040625EEX	400	600	250	350	550	2
ST4640EE	EC040640EE	N.A.	N.A.	400	600	400	350	550	2
ST5520EE	EC050520EE	ECOR5-520EEX	EC050520EEX	500	500	200	450	450	1
N.A.	N.A.	ECOR5-525EEX	EC050525EEX	500	500	250	450	450	1
ST5720EE	EC050720EE	ECOR5-720EEX	EC050720EEX	500	700	200	450	650	2
ST5725EE	EC050725EE	ECOR5-725EEX	EC050725EEX	500	700	250	450	650	2
ST6420EE	EC060420EE	ECOR6-420EEX	EC060420EEX	600	400	200	550	350	1
ST6430EE	EC060430EE	N.A.	N.A.	600	400	300	550	350	1
ST6620EE	EC060620EE	ECOR6-620EEX	EC060620EEX	600	600	200	550	550	2
N.A.	N.A.	ECOR6-625EEX	EC060625EEX	600	600	250	550	550	2
ST6630EE	EC060630EE	ECOR6-630EEX	EC060630EEX	600	600	300	550	550	2
ST6640EE	EC060640EE	N.A.	N.A.	600	600	400	550	550	2
ST6820EE	EC060820EE	ECOR6-820EEX	EC060820EEX	600	800	200	550	750	2
ST6825EE	EC060825EE	ECOR6-825EEX	EC060825EEX	600	800	250	550	750	2
ST6830EE	EC060830EE	ECOR6-830EEX	EC060830EEX	600	800	300	550	750	2
ST6840EE	EC060840EE	N.A.	N.A.	600	800	400	550	750	2
ST61025EE	EC061025EE	N.A.	N.A.	600	1000	250	550	950	2
ST61030EE	EC061030EE	N.A.	N.A.	600	1000	300	550	950	2
ST61040EE	EC061040EE	N.A.	N.A.	600	1000	400	550	950	2
ST8830EE	EC080830EE	ECOR8-830EEX	EC080830EEX	800	800	300	750	750	2
ST8840EE	EC080840EE	N.A.	N.A.	800	800	400	750	750	2
ST81030EE	EC081030EE	ECOR8-1030EEX	EC081030EEX	800	1000	300	750	950	2
ST81040EE	EC081040EE	N.A.	N.A.	800	1000	400	750	950	2
ST61230EE	EC061230EE	ECOR6-1230EEX	EC061230EEX	600	1200	300	550	1150	ROD SYSTEM
ST81230EE	EC081230EE	ECOR8-1230EEX	EC081230EEX	800	1200	300	750	1150	ROD SYSTEM

Stainless Steel

🔍 Add the "H" suffix to the code to order the AISI316L steel item (i.e.: until May 31, 2022: ECOR6-830EEXH - i.e. From June 1, 2022: EC060830EEXH). Available on request.



CHARACTERISTICS

Enclosure manufactured from pre-satinized AISI 304L stainless steel sheet (AISI 316L on request). Plexi door with formed corners, silicone seal and plexiglass (fixed with a frame). Flat mounting plate manufactured from sendzimir sheet steel with slots in the corners. Hinges in stainless steel.

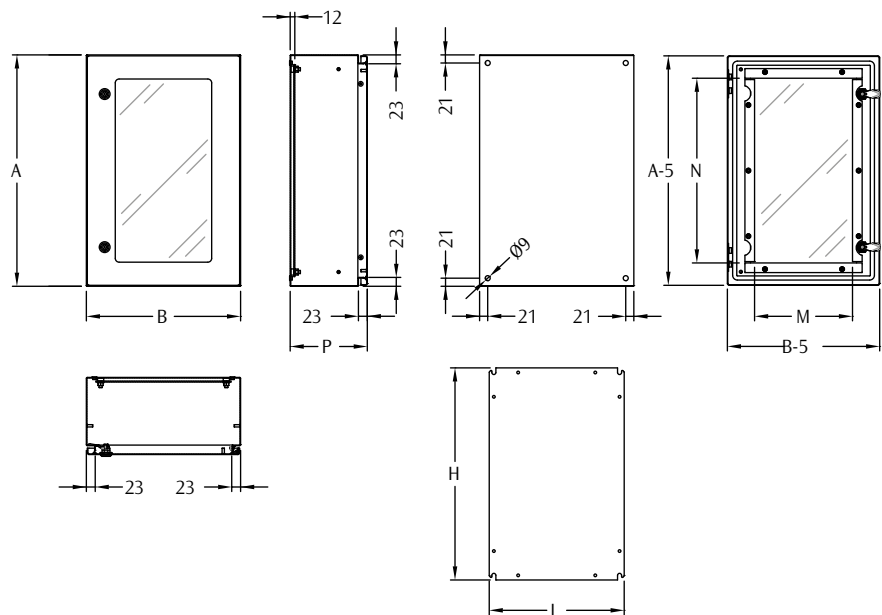
SUPPLY

Box complete with:

- mounting plate
- door with locking system (box and insert in zinc alloy, lever in stainless steel) with Ø 3mm double bar key, and silicone seal
- package with screws for earth connection and mounting plate.

PROTECTION RATING

- IP66 complying with IEC EN62208; EN62262
- NEMA 12 complying with UL508A; UL50
- protection degree guaranteed by the two-component silicone foam seal.
- impact resistance IK10 complying with IEC EN62208; EN62262.



Stainless steel

STAINLESS STEEL BOX WITH PLEXI DOOR

CODE UNTIL 31/05/2022	CODE FROM 01/06/2022	BOX DIMENSIONS			DOOR SPACE		MOUNT. PLATE DIM.		NR. OF LOCKS
		B	A	P	M	N	L	H	
ECOR3-420PVX	EC030420X.P	300	400	200	150	275	250	350	1
ECOR4-520PVX	EC040520X.P	400	500	200	250	375	350	450	1
ECOR4-620PVX	EC040620X.P	400	600	200	250	475	350	550	2
ECOR5-725PVX	EC050725X.P	500	700	250	350	575	450	650	2
ECOR6-820PVX	EC060820X.P	600	800	200	450	675	550	750	2
ECOR6-825PVX	EC060825X.P	600	800	250	450	675	550	750	2
ECOR8-1030PVX	EC081030X.P	800	1000	300	650	875	750	950	2

Until May 31, 2022, add the "H" suffix to the code to order the AISI316L steel item (i.e.: ECOR4-620PVXH). After June 1, 2022, replace the "X" suffix with an "H" to order the AISI316L steel item (i.e.: EC040620H.P). Available on request.

FUNCTIONAL FRAME ECMI

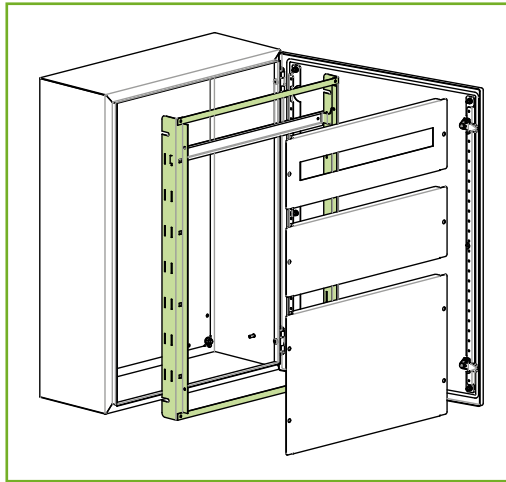
CHARACTERISTICS

Internal frame for the assembly of modular panels and DIN rails. Manufactured from stainless steel sheet AISI304L (on request AISI316L).

SUPPLY

Includes 1 piece with mounting accessories.

For boxes with D=150 mm, the functional frame is not used



FUNCTIONAL FRAME

ECMI CODE	DIMENSIONS		DESCRIPTION
	WIDTH	HEIGHT	
ECMI-040060X	400	600	3 rows for 14 DIN modules
ECMI-060080X	600	800	4 rows for 25 DIN modules
ECMI-080100X	800	1000	5 rows for 36 DIN modules

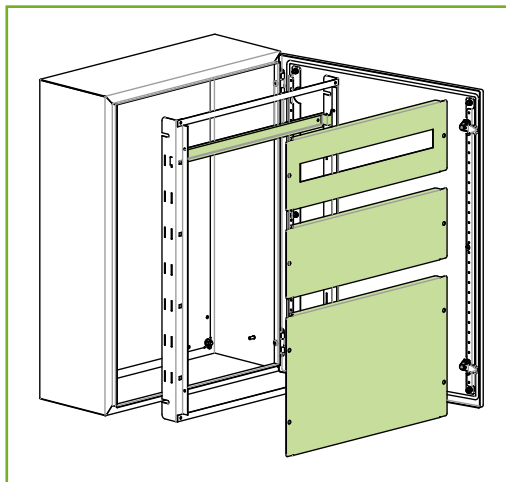
MODULAR PANELS ECPM/ECAV

CHARACTERISTICS

Modular panels manufactured from stainless steel sheet AISI304L (AISI 316L on request). Available in blank version or for DIN rail, they can be easily mounted on E COR boxes using the functional frame ECMI.

SUPPLY

Includes 1 piece with mounting accessories (ECPM panel including 2 brackets and DIN rail).



Stainless steel

MODULAR PANELS FOR DIN RAILS*

ECPM CODE	DIMENSIONS		NO. OF MODULES
	WIDTH	HEIGHT	
ECPM-040180X	400	180	14
ECPM-060180X	600	180	25
ECPM-080180X	800	180	36

* DIN rails and brackets included

MODULAR BLANK PANELS

ECAV CODE	DIMENSIONS	
	WIDTH	HEIGHT
ECAV-040180X	400	180
ECAV-060180X	600	180
ECAV-060360X	600	360
ECAV-080180X	800	180
ECAV-080360X	800	360

DIN RAIL WITH BRACKETS

ECDI CODE	DIMENSIONS		NO. OF MODULES
	WIDTH	HEIGHT	
ECDI-014040	400	14	
ECDI-025060	600	25	
ECDI-036080	800	36	

INNER DOOR ECPO

CHARACTERISTICS

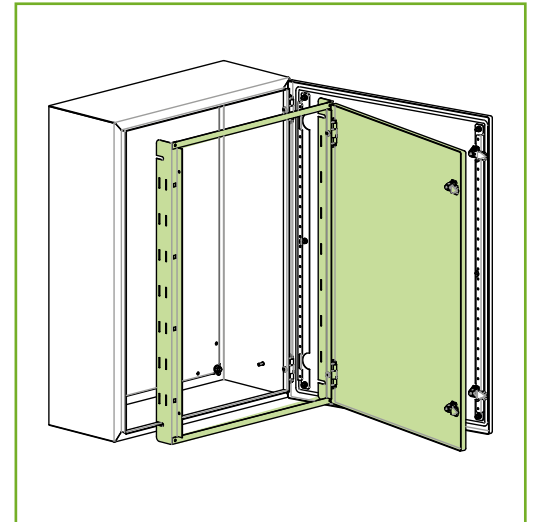
Manufactured from stainless steel sheet AISI304L (on request AISI316L).

SUPPLY

Includes 1 piece with ECMI frame, hinges, closing systems and screws.

PROTECTION RATING

IP2X.



Available for E COR P=150 mm.

INNER DOOR		
ECPO CODE	DIMENSIONS	
	WIDTH	HEIGHT
ECPO1-34X	300	400
ECPO1-45X	400	500
ECPO1-46X	400	600
ECPO1-57X	500	700
ECPO1-68X	600	800
ECPO1-810X	800	1000

LOCK WE001X

For food industry or special applications in harsh environments where high hygienic standards are required, a specific locking system is available.

WE002X key to be ordered separately.



RAIN CANOPY ECTT

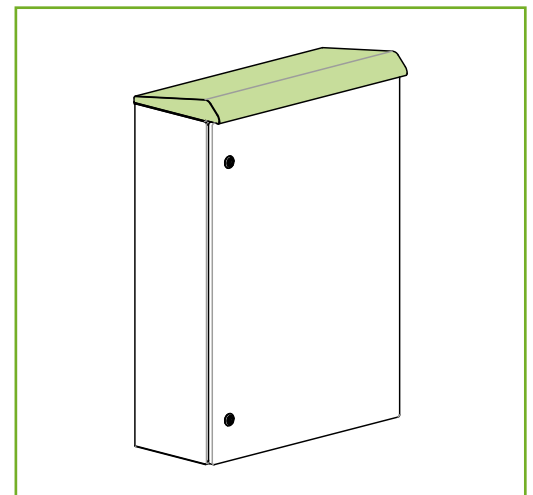
Particularly suitable for outdoor installations where it is required an additional protection against atmospheric agents.

CHARACTERISTICS

Manufactured from AISI 304L stainless steel sheet (AISI 316L available on request).

SUPPLY

Includes 1 piece with mounting accessories.



Dimensions min. 400x200 and max. 1000x200 managed as ECTT, lower and upper dimensions managed as TTX.

CANOPY		
ECTT CODE	DIMENSIONS	
	WIDTH	DEPPTH
ECTT1-04X	400	200
ECTT1-05X	500	200
ECTT2-05X	500	250
ECTT1-06X	600	250
ECTT2-08X	800	300

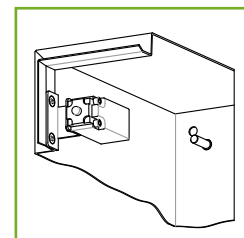
MICROSWITCH W1100ST

CHARACTERISTICS

Complying with standards IEC337-VDE0660. Mounting bracket manufactured from sendzimir sheet steel for a fast-assembly on ST wall-mounting boxes.

SUPPLY

- microswitch
- mounting bracket
- screws



PLINTH EUZX

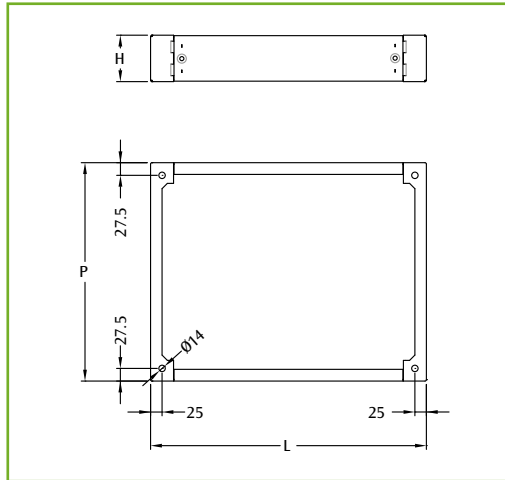
CHARACTERISTICS

Front crosspieces and side crosspieces with integrated corners manufactured from AISI 304L stainless steel (AISI 316L on request).

SUPPLY

The plinth is made up of:

- front crosspieces: supply includes 2 pieces
- side crosspieces with integrated corners: supply includes 2 pieces with mounting screws.



DIMENSIONAL SPECIFICATIONS

BOX DIMENSIONS		PLINTH DIM.	
L	P	L	P
600	300	600	275
800	300	800	275
1000	300	1000	275

SIDE CROSSPIECES WITH INTEGRATED CORNERS E COR

EUZX CODE	DESCRIPTION	CROSSPIECES HEIGHT
		MM
EUZX-P0300P	SIDE CROSSPIECES WITH INTEGRATED CORNERS FOR PLINTH D=300	100
EUZX-P0300PD	SIDE CROSSPIECES WITH INTEGRATED CORNERS FOR PLINTH D=300	200

FRONT CROSSPIECES E COR

EUZX CODE	DESCRIPTION
EUZX-L0600M	FRONT CROSSPIECES FOR PLINTH W=600
EUZX-L0800M	FRONT CROSSPIECES FOR PLINTH W=800
EUZX-L1000M	FRONT CROSSPIECES FOR PLINTH W=1000

To order the plinth H=200 mm, order 2 packages of front crosspieces (i.e. Plinth H=200 mm dim. 600x300: 1 x EUZX-P0300PD + 2 x EUZX-L0600M).

To order the item in higher grade AISI316L, add the suffix "H" to the code (i.e. EUZX-P0300PH).

Stainless steel

WALL MOUNTING BRACKETS SDWCX-010

CHARACTERISTICS

Manufactured from AISI316L stainless steel.

SUPPLY

Includes 4 pieces.



DOOR STOP WA061X

It allows the mechanical stop of the door (90°), preventing the accidental closing.

SUPPLY

Supply includes 1 piece with mounting accessories.

Stainless steel cable glands are available (see pages 267 and 268).



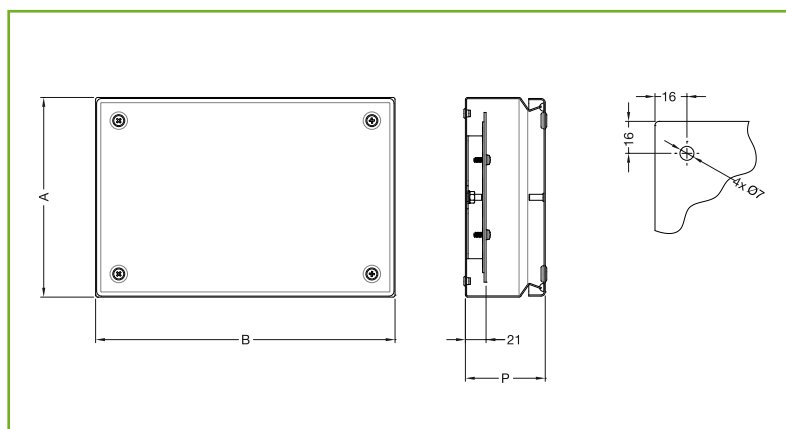


CHARACTERISTICS

Boxes and door manufactured from AISI 304L stainless steel sheet (AISI 316L on request). Lid provided with stainless steel captive screws, silicone seal and formed corners for improved aesthetics.

PROTECTION RATING

- IP66 complying with IEC EN62208, EN62262
- NEMA 4X complying with UL508A; UL50
- protection degree guaranteed by the two-component silicone foam seal
- impact resistance IK10 complying with IEC EN62208; EN62262.



Safety and easiness - thanks to the innovative lid fixed with ¼ turns captive screws.

Performance - thanks to the formed corners and the silicone seal.

Eye-catching aesthetics - with specific stainless steel fastening brackets.

STAINLESS STEEL TERMINAL BOXES

E GRAN CODE	BOX DIMENSIONS		
	B	A	P
EGRAN1-108X	150	150	80
EGRAN2-208X	200	200	80
EGRAN3-208X	300	200	80
EGRAN1-112X	150	150	120
EGRAN4-212X	400	200	120
EGRAN3-312X	300	300	120

Stainless steel

🔍 DIN profiles (pag. 191) mounting plate and wall-mounting brackets SHWCX-010 (pag. 239) to be ordered separately.

To order the item in high grade AISI 316L, add the suffix "H" to the code (i.e.: EGRAN1-108XH).

MOUNTING PLATE SDPA

CHARACTERISTICS

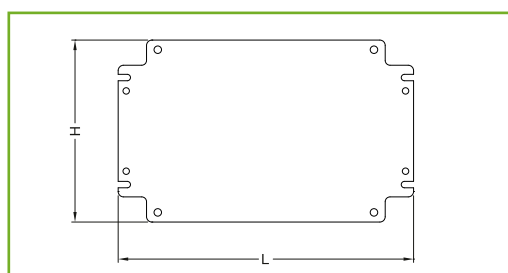
Manufactured from sendzimir sheet steel.

SUPPLY

Includes 1 piece.

MOUNTING PLATE

SDPA CODE	BOX DIMENSIONS		B	A
	WIDTH	HEIGHT		
SDPA-11	150	150	140	140
SDPA-22	200	200	176	170
SDPA-32	300	200	276	170
SDPA-33	300	300	276	270
SDPA-42	400	200	376	170





CHARACTERISTICS

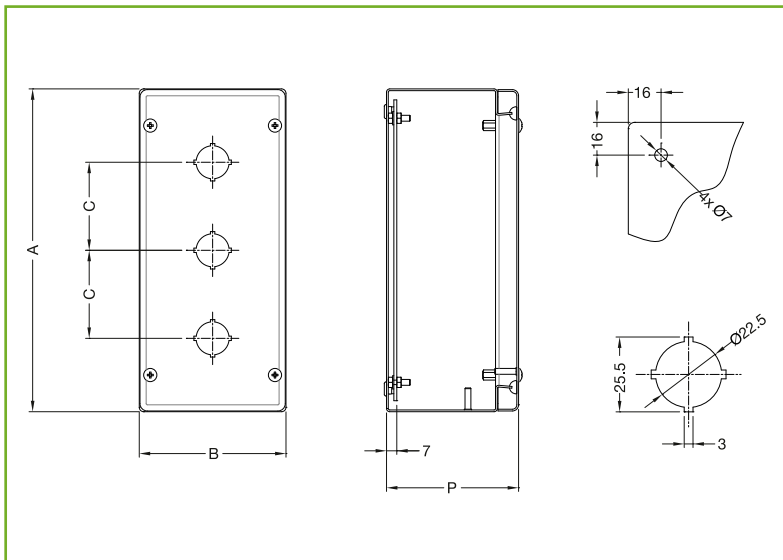
Structure and lid manufactured from pre-satinized AISI304L stainless steel sheet (AISI316L on request). Lid supplied with silicone gasket, fixed in four points (placed outside the gasket) with captive screw and available in 2 versions: punched for the fixation of push buttons $\varnothing 22.5$ mm or blank. Wall-mounting from the inner part of the box or from the external part with fixing brackets.

PROTECTION RATING

- IP66 complying with IEC EN62208, EN62262
- IP69K complying with DIN 40050-9
- NEMA 4X complying with UL508A; UL50
- impact resistance IK10 complying with IEC EN62208; EN62262.

To be ordered separately: mounting plate and/or DIN profiles (see page 191).

To order the item in high grade AISI 316L, add the suffix "H" to the code (i.e.: SHX1-109FH).



PUSHBUTTON WITH PUNCHED LID

SHX CODE	DESCRIPTION			HOLES $\varnothing 22,5$	
	B	A	P	C	N
SHX1-109F	100	100	90	-	1
SHX1-169F	100	160	90	60	2
SHX1-229F	100	220	90	60	3
SHX1-289F	100	280	90	60	4

PUSHBUTTON WITH BLANK LID

SHX CODE	DESCRIPTION		
	B	A	P
SHX1-109C	100	100	90
SHX1-169C	100	160	90
SHX1-229C	100	220	90
SHX1-289C	100	280	90

Stainless steel

SHPA MOUNTING PLATE

CHARACTERISTICS

Manufactured from sendzimir sheet steel.

SUPPLY

Includes 1 piece.

MOUNTING PLATE

PUSHBUTTON CODE	MOUNT. PLATE PIASTRA	DIMENSIONS	
		L	H
SHX1-109F	-	-	-
SHX1-169F	SHPA-16	60	145
SHX1-229F	SHPA-22	60	205
SHX1-289F	SHPA-28	60	265

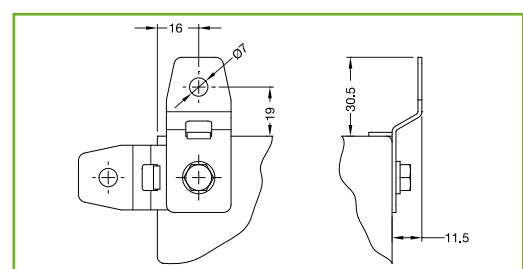
WALL MOUNTING BRACKETS SHWCX-010

CHARACTERISTICS

Manufactured from AISI316L stainless steel sheet.

SUPPLY

Includes nr. 4 pieces.





CHARACTERISTICS

Enclosure and door manufactured AISI 304L stainless steel sheet (AISI 316L upon request).
Mounting plate manufactured from sendzimir sheet steel.
Stainless steel hinges.

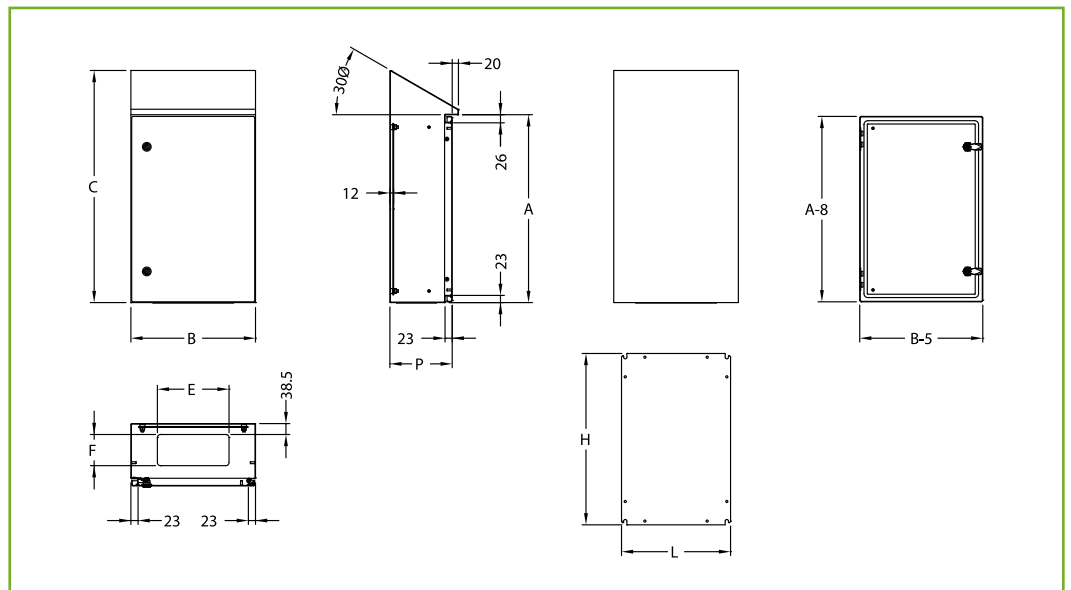
SUPPLY

The enclosure is supplied with:

- mounting plate
- door with locking system (box and insert in zinc alloy, lever in stainless steel) with Ø 3mm double bar keyset of screws for grounding and mounting plate assembling
- cable entry plate.

PROTECTION RATING

- IP66 complying with IEC EN62208; EN62262
- NEMA 4X complying with UL508A; UL50
- impact resistance IK10 complying with IEC EN62208; EN62262.



STAINLESS STEEL BOXES WITH SLOPED ROOF

CODE UNTIL 31/05/2022	CODE FROM 01/06/2022	BOX DIMENSIONS				CABLE ENTRY		MOUNTING PLATE		NO. OF LOCKS / TYPE
		B	A	P	C	E	F	L	H	
ECOR4-515TX	EC040515X.T	400	503	150	617	230	50	350	450	1
ECOR4-620TX	EC040620X.T	400	603	200	745	230	100	350	550	2
ECOR5-730TX	EC040730X.T	500	703	300	903	330	100	450	650	2
ECOR6-825TX	EC060825X.T	600	803	250	974	430	100	550	750	2
ECOR8-1025TX	EC081025X.T	800	1003	250	1174	530	100	750	950	2
ECOR8-1030TX	EC081030X.T	800	1003	300	1203	530	100	750	950	2
ECOR8-1230TX	EC081230X.T	800	1203	300	1403	530	100	750	1150	ROD SYSTEM

Until May 31, 2022, add the "H" suffix to the code to order the AISI316L steel item (i.e.: ECOR6-825TXH).
After June 1, 2022, replace the "X" suffix with an "H" to order the AISI316L steel item (i.e.: EC060825H.T).



CHARACTERISTICS

Enclosure manufactured from AISI 304L press bent stainless steel material. Mounting plate manufactured from sendzimir sheet steel mounted on the rear cover. Upper cover manufactured from AISI 304L material with sendzimir profiles and mechanical stop. Adjustable cable entry. Item in AISI 316L available on request.

SUPPLY

- control desk
- doors complete with Ø 3 mm double bar key locking system
- mounting plate
- upper cover complete with locking system
- adjustable cable entry.

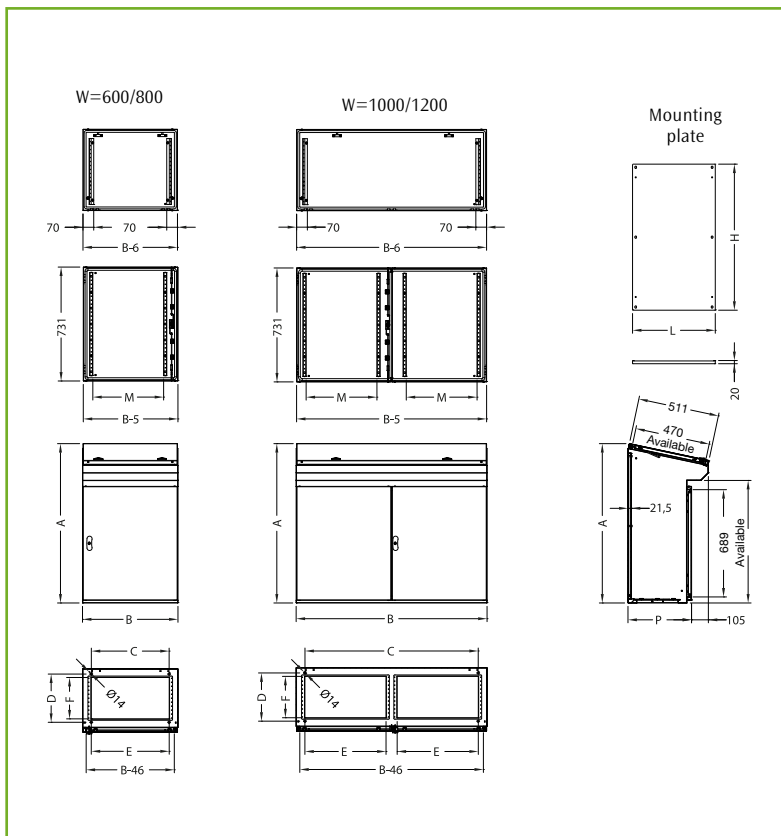
PROTECTION RATING

- IP55
- NEMA 12 complying with UL508A; UL50.

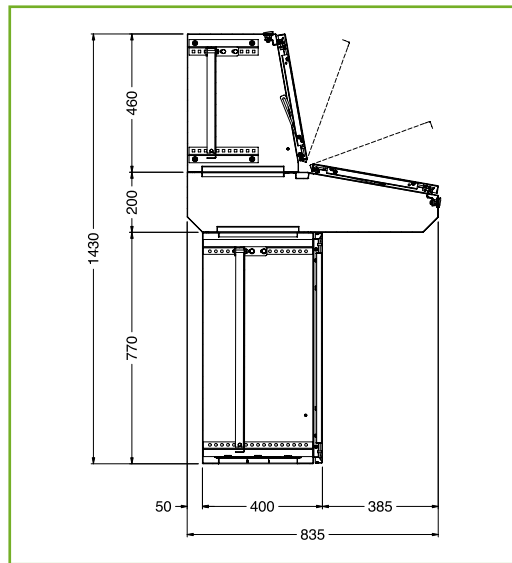
STAINLESS STEEL CONTROL DESKS

ZBX CODE	DIMENSIONS			FLOOR FIXING		CABLE ENTRY		DOOR SPACE	MOUNTING PLATE	
	B	A	P	C	D	E	F	M	L	H
ZBX6-01	600	1000	400	550	310	490	260	445	520	918
ZBX8-01	800	1000	400	750	310	690	260	645	720	918
ZBX0-01	1000	1000	400	950	310	410 (x2)	260	345	920	918
ZBX2-01	1200	1000	400	1150	310	510 (x2)	260	445	1120	918

To order the item in high grade AISI 316L, add the suffix "H" to the code. (i.e.: ZBX6-01H).



Stainless steel



BOX AEX



CHARACTERISTICS

Enclosure manufactured from AISI 304L press bent stainless steel sheet. Mounting plate manufactured from sendzimir sheet steel. Door manufactured from AISI 304L stainless steel sheet with lateral stiffening cover. Item in AISI 316L available on request.

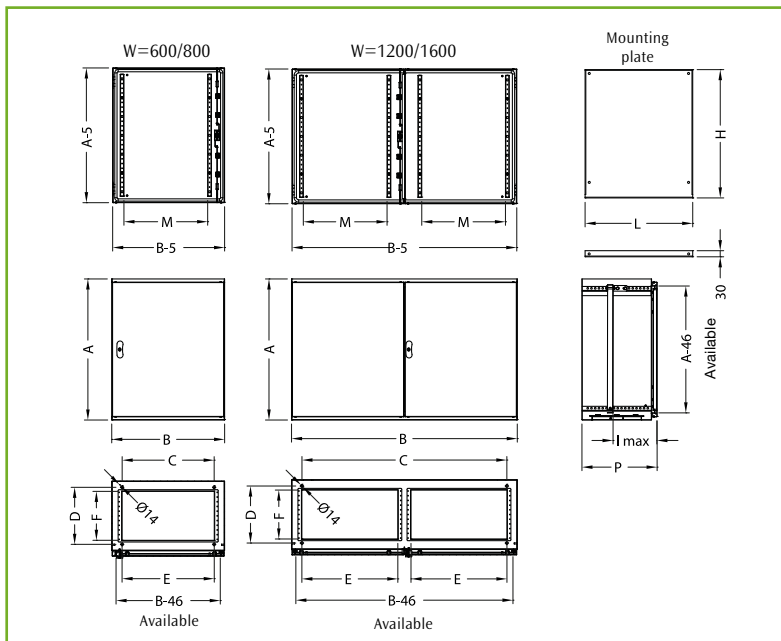
SUPPLY

Box includes:

- door complete with Ø 3 mm double bar closing system
- mounting plate
- adjustable cable entry.

PROTECTION RATING

- IP55
- NEMA 12 complying with UL508A; UL50.



Stainless steel

STAINLESS STEEL BOX

AEX CODE	DIMENSIONS			FLOOR FIXING		CABLE ENTRY		DOOR SPACE	MOUNTING PLATE		
	B	A	P	C	D	E	F	M	L	H	I MAX
AEX6-01	600	770	400	550	310	490	260	445	530	684	358
AEX8-02	800	770	400	750	310	690	260	645	730	684	358
AEX1-23	1200	770	400	950	310	510 (x2)	260	445	1130	684	358
AEX1-64	1600	770	400	1150	310	710 (x2)	260	645	1530	684	358

To order the item in high grade AISI 316L, add the suffix "H" to the code (i.e.: AEX6-01H).

SHELF LEX



CHARACTERISTICS

Structure manufactured from AISI 304L press bent stainless steel sheet. Upper panel manufactured from AISI 304L stainless steel sheet with sendzimir rails and gas springs to support lid and avoid accidental closing. Item in AISI 316L available on request.

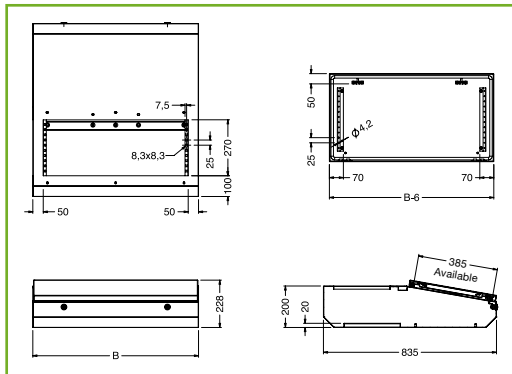
SUPPLY

Shelf includes:

- lid complete with Ø 3 mm double bar closing system
- rails to mount supplementary mounting plate
- sealing gasket
- mounting accessories.

PROTECTION RATING

IP55.



STAINLESS STEEL SHELF

LEX CODE	B	NUMBER OF LOCKS
LEX6-01	600	2
LEX8-02	800	2
LEX1-23	1200	2
LEX1-64	1600	3

To order the item in high grade AISI 316L, add the suffix "H" to the code (i.e.: LEX6-01H).

UPPER PART PEX



CHARACTERISTICS

Structure manufactured from AISI 304L press bent stainless steel sheet. Mounting plate manufactured from sendzimir sheet steel with zincpassivated rails for mounting plate adjustment. Hinged front panel manufactured from AISI 304L stainless steel sheet complete with sendzimir vertical rails and mechanical stop. Item in AISI 316L available on request.

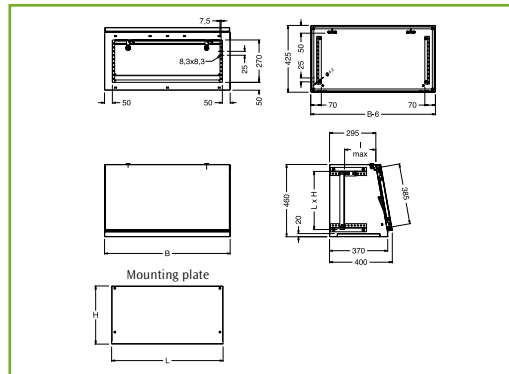
SUPPLY

Upper part includes:

- hinged front cover with Ø 3 mm double bar locking system
- mounting plate
- sealing gasket
- mounting accessories.

PROTECTION RATING

IP55.



STAINLESS STEEL UPPER PART

PEX CODE	B	MOUNTING PLATE DIM.		
		L	H	I MAX
PEX6-01	600	510	370	250
PEX8-02	800	710	370	250
PEX1-23	1200	1110	370	250
PEX1-64	1600	1510	370	250

To order the item in AISI 316L, add the suffix "H" to the code (i.e.: PEX6-01H).

Stainless steel

SHELF MEX



CHARACTERISTICS

Structure manufactured from AISI304L press bent stainless steel sheet.
Upper panel manufactured from AISI304L material with sendzimir rails and gas springs to support lid and avoid accidental closing.
Item in AISI316L available on request.

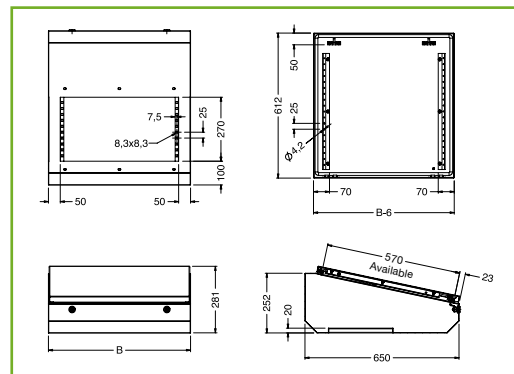
SUPPLY

Shelf includes:

- lid complete with Ø 3 mm double bar closing system
- sealing gasket
- mounting accessories.

PROTECTION RATING

- IP55
- NEMA 12 complying with UL508A; UL50.



STAINLESS STEEL SHELF

MEX CODE	B	NUMBER OF LOCKS
MEX6-01	600	2
MEX8-02	800	2
MEX1-23	1200	2
MEX1-64	1600	3

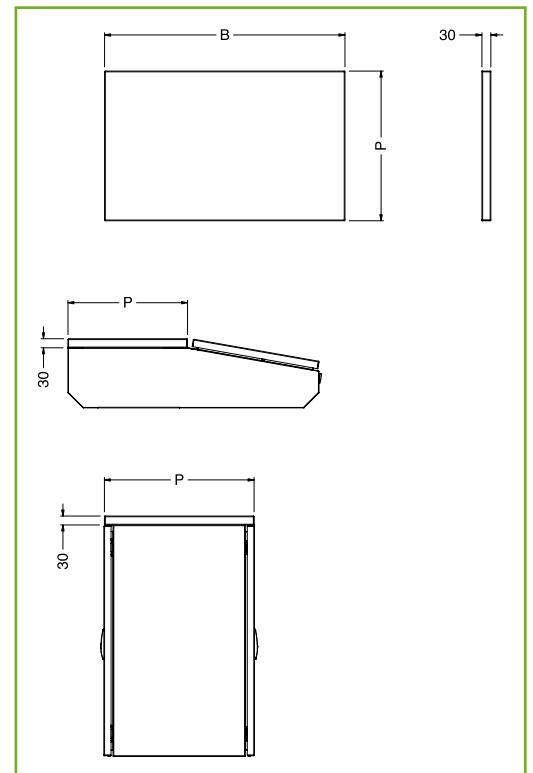
To order the item in AISI 316L, add the suffix "H" to the code (i.e.: MEX6-01H).

COVER TLX

Manufactured from AISI304L stainless steel sheet (AISI316L on request). To be used as top cover of the LEX shelf.

SUPPLY

Includes single piece with mounting accessories.



STAINLESS STEEL COVER

TLX CODE	B	P
TLX6-01	600	398
TLX8-02	800	398
TLX1-23	1200	398
TLX1-64	1600	398

To order the item in AISI 316L, add the suffix "H" to the code (i.e.: TLX6-01H).

PLINTH EUZX

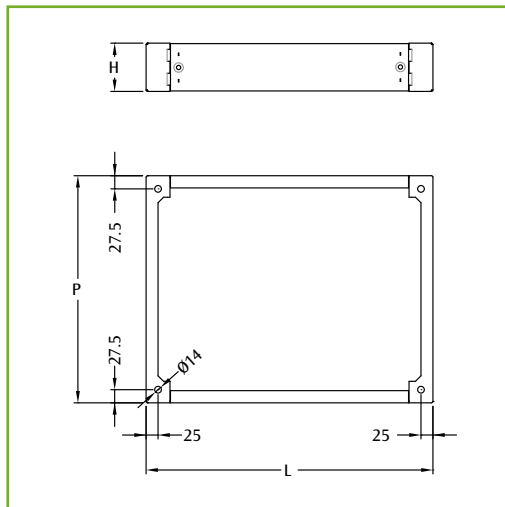
CHARACTERISTICS

Front crosspieces and side crosspieces with integrated corners manufactured from AISI304L stainless steel (AISI316L on request).

SUPPLY

The plinth is made up of:

- front crosspieces: supply includes 2 pieces
- side crosspieces with integrated corners: supply includes 2 pieces with mounting screws.



DIMENSIONAL SPECIFICATIONS

CONTROL DESK DIM.		PLINTH DIM.	
W	D	L	P
600	400	600	365
800	400	800	365
1000	400	1000	365
1200	400	1200	365
1600	400	1600	365

SIDE CROSSPIECES WITH INTEGRATED CORNERS

EUZX CODE	DESCRIPTION	CROSS. HEIGHT MM
EUZX-P0400M	SIDE CROSSPIECES WITH INTEGRATED CORNERS FOR PLINTH D=400	100
EUZX-P0400MD	SIDE CROSSPIECES WITH INTEGRATED CORNERS FOR PLINTH D=400	200

FRONT CROSSPIECES

EUZX CODE	DESCRIPTION
EUZX-L0600M	FRONT CROSSPIECES FOR PLINTH W=600
EUZX-L0800M	FRONT CROSSPIECES FOR PLINTH W=800
EUZX-L1000M	FRONT CROSSPIECES FOR PLINTH W=1000
EUZX-L1200M	FRONT CROSSPIECES FOR PLINTH W=1200
EUZX-L1600M	FRONT CROSSPIECES FOR PLINTH W=1600

To order the plinth H=200 mm, order 2 packages of front crosspieces (i.e. Plinth H=200 mm dim. 800 x 400: 1 x EUZX-P0400MD + 2 x EUZX-L0800M).

To order the item in higher grade AISI316L, add the suffix "H" to the code (i.e. EUZX-P0400MH).

Stainless steel



OPERATOR PANEL ENCLOSURE



CHARACTERISTICS

Operator housing made from AISI304L satin stainless steel sheet metal and a ScotchBrite finish, shaped and welded on all sides.

Furnished with a solid hinged lid, complete with a panel-stopper, screwed on at the top for easy maintenance. Rounded stainless steel handles, which can be positioned either on the sides, the bottom or the curved sections of the operator housing.

SUPPLY

- Solid operator housing complete with lid and panel-stopper.
- Keyboard support supplied separately.
- Handles supplied separately.

PROTECTION RATING

- IP66 compliant with IEC EN62208; EN60529 (pending)
- IP69K compliant with DIN 40050-9
- NEMA 4X, compliant with UL508A and UL50 (pending)
- Protection rating ensured by the use of two-component silicone foam
- Impact resistance rating IK10, compliant with IEC EN62208 and EN62202.

To order the keyboard support, use the part of the housing code that indicates the width and add PTX to the end of the code (i.e. ERAM3-PTX = keyboard support for a 300 mm wide E RAM housing).

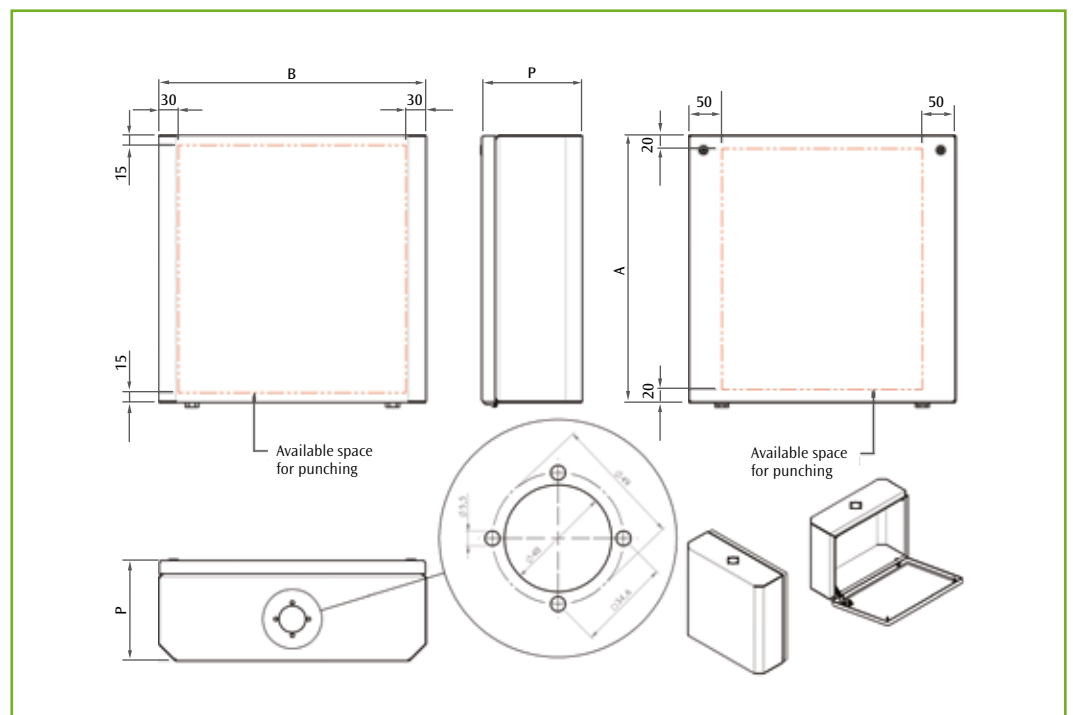
To order the version in AISI316L, add H to the end of the code (i.e. ERAM3-315XH).

CODE E RAM	OPERATOR HOUSING DIMENSIONS		
	B	A	P
ERAM3-315X	300	300	150
ERAM4-315X	400	300	150
ERAM4-415X	400	400	150
ERAM6-415X	600	400	150

OPTIONALS

Handle made from AISI304L stainless steel.

Package containing 2 pieces, complete with mounting accessories ERM-02 – L=200.



Stainless steel

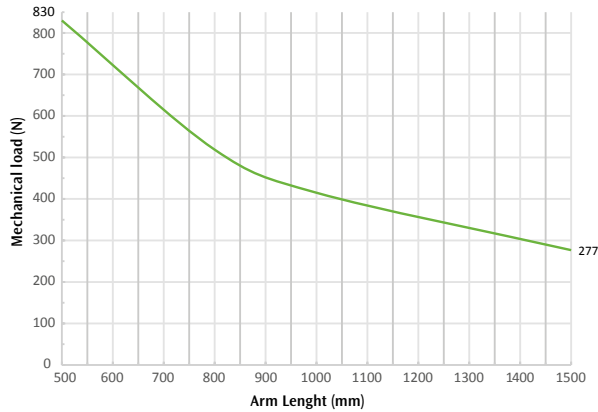
CHARACTERISTICS

Articulated single-piece support profiles, made from AISI304L stainless steel section and a satin finish. External diameter 48.30 mm.

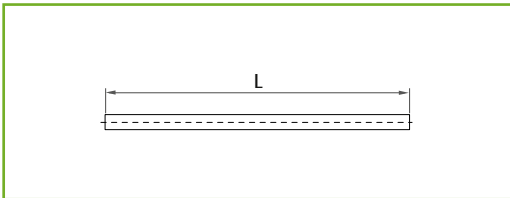
SUPPLY

- I, L, J, or S sections (upon request).
- Screws for fastening to the coupling elements supplied together with the relative couplings.

LOAD CAPACITY



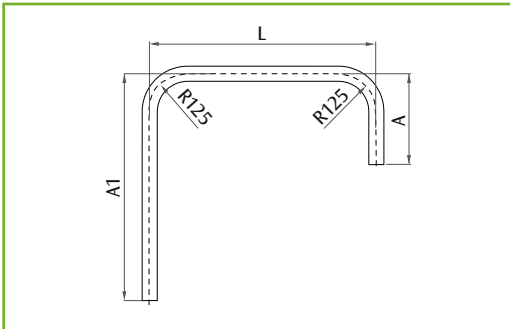
“I” VERSION



Your solution:
ERI-L
Min. L = 250 mm
Max. L = 1500 mm

CODE	L
ERI-0500X	500
ERI-0750X	750
ERI-1000X	1000

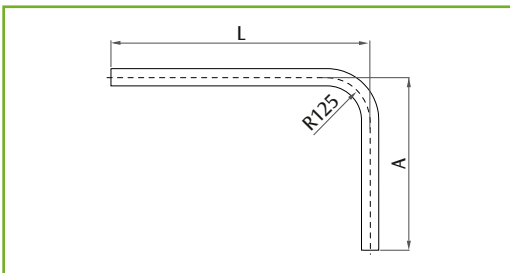
“J” VERSION



Your solution:
ERJ-A¹LA
Min. A¹ = 250 mm
Max. A¹ = 1000 mm
Min. L = 380 mm
Max. L = 1000 mm
Min. A = 250 mm
Max. A = 1000 mm

CODE	DIMENSIONS		
	A ¹	L	A
ERJ-030503X	300	500	300
ERJ-050503X	500	500	300
ERJ-070703X	750	750	300

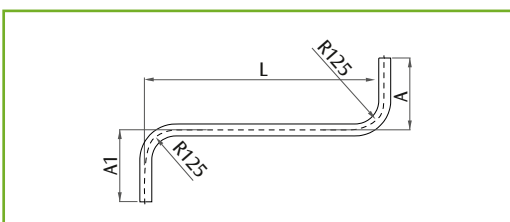
“L” VERSION



Your solution:
ERL-LA
Min. L = 250 mm
Max. L = 1000 mm
Min. A = 250 mm
Max. A = 1000 mm

CODE	DIMENSIONS	
	L	A
ERL-0305X	300	500
ERL-0505X	500	500
ERL-0705X	750	500

“S” VERSION



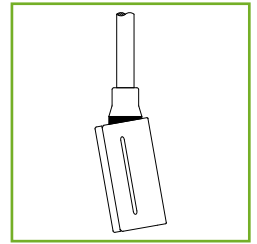
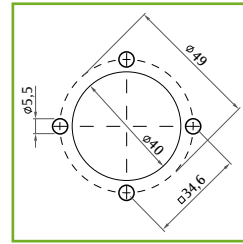
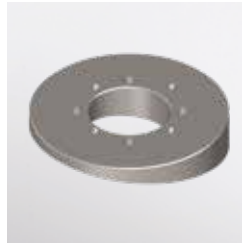
Your solution:
ERS-A¹LA
Min. A¹ = 250 mm
Max. A¹ = 1000 mm
Min. L = 380 mm
Max. L = 1000 mm
Min. A = 250 mm
Max. A = 1000 mm

Available upon request.

Stainless steel

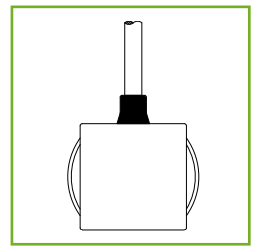
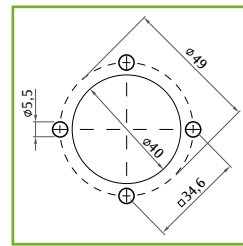
**FIXED 10° ANGLE FOR HOUSING
ERCF-010X**

Made from AIS303 stainless steel.
Complete with fastening screws.



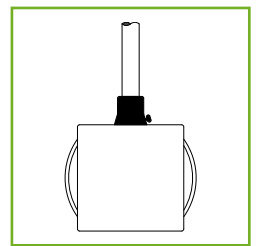
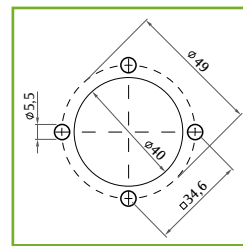
**FIXED ATTACHMENT FOR HOUSING
ERCF-001X**

Made from AIS303 stainless steel.
Complete with fastening screws.



**SWIVEL ATTACHMENT FOR HOUSING
ERCG-001X**

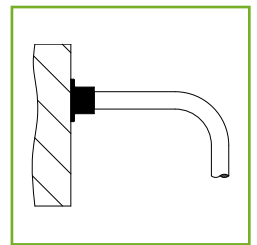
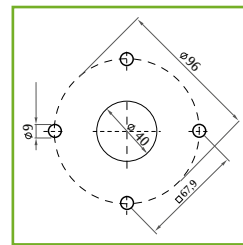
Made from AIS303 stainless steel.
Complete with fastening screws and swivel locking system.



**FIXED WALL-MOUNTING BASE ATTACHMENT
ERPF-001X**

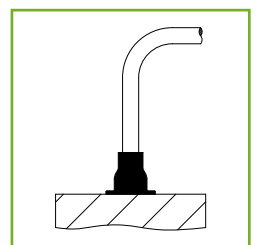
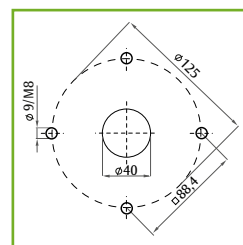
Made from AIS303 stainless steel.
Complete with fastening screws.

Stainless steel



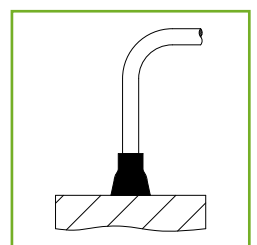
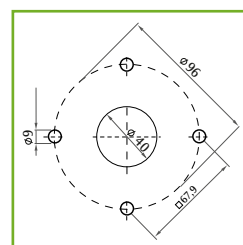
**SWIVEL WALL-MOUNTING BASE ATTACHMENT
ERPG-001XA**

Made from AIS303 stainless steel.
Complete with fastening screws and swivel locking system. Front fastening.



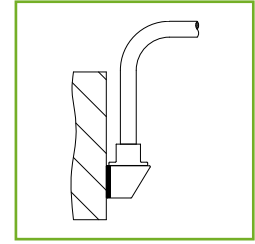
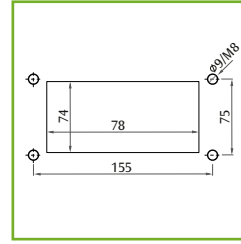
**SWIVEL WALL-MOUNTING BASE ATTACHMENT
ERPG-001XP**

Made from AIS303 stainless steel.
Complete with fastening screws and swivel locking system. Rear fastening.



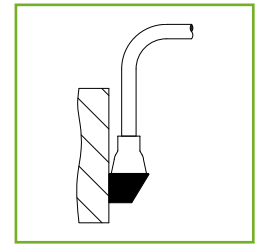
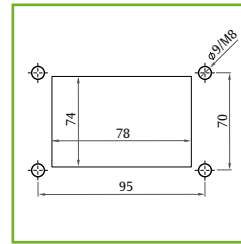
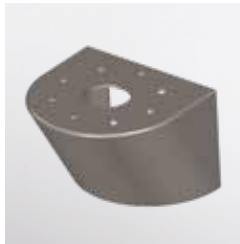
WALL-MOUNTING PLATE ERPS-001XA

Made from AIS304L stainless steel.
Allows for the wall-mounting of the base attachments. Front fastening.
To be combined with: ERPS-001XP (to be ordered separately).



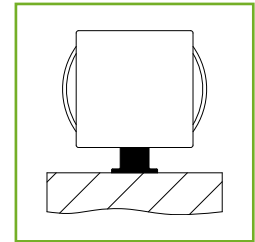
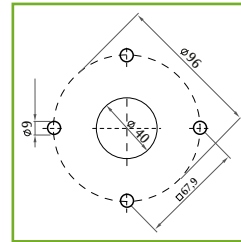
WALL-MOUNTING BRACKET ERPS-001XP

Made from AIS304L stainless steel.
Allows for the wall-mounting of the base attachments. Rear fastening.
To be combined with: ERPF-001X or ERPG-001XP.



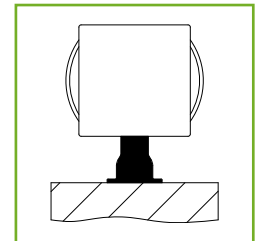
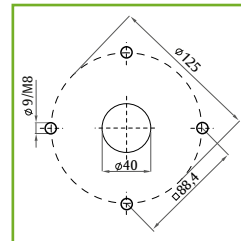
* FIXED DIRECT BASE ATTACHMENT ERDF-001X

Made from AIS303 stainless steel.
Complete with fastening screws.



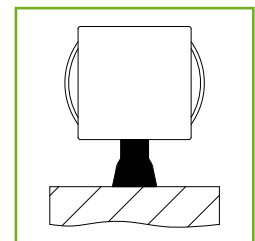
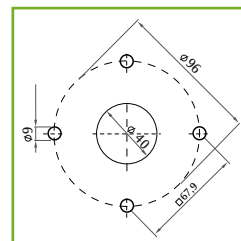
* SWIVEL DIRECT BASE ATTACHMENT ERDG-001XA

Made from AIS303 stainless steel.
Complete with fastening screws and swivel locking system. Front fastening.



* SWIVEL DIRECT BASE ATTACHMENT ERDG-001XP

Made from AIS303 stainless steel.
Complete with fastening screws and swivel locking system. Rear fastening.



Stainless steel

* For the container drilling template, please refer to the ERCF-001X.

TOGETHER, WE CAN CREATE THE IDEAL SYSTEM FOR YOU IN JUST A FEW SIMPLE STEPS

OPERATOR PANEL ENCLOSURE

1 - DIMENSIONS

<input type="checkbox"/> STANDARD					<input type="checkbox"/> SPECIAL		
E RAM CODE	HOUSING DIMENSIONS			DIMENSIONS ON REQUEST*			
	B	A	P	B	A	P	
<input type="checkbox"/> ERAM3-315X	300	300	150				
<input type="checkbox"/> ERAM4-315X	400	300	150				
<input type="checkbox"/> ERAM4-415X	400	400	150				
<input type="checkbox"/> ERAM5-415X	600	400	150				

* Feasibility and m.o.q. to be checked with Sales team

2 - MATERIAL

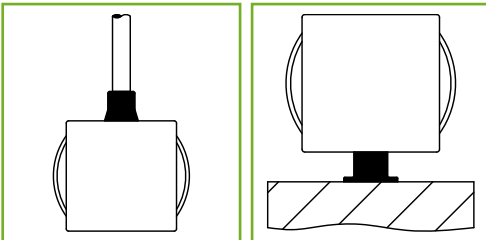
- AISI 304L AISI 316L

3 - PUNCHING FOR HMI

- None Customer drawing

4 - PUNCHING FOR JOINT AND SUSPENSION ARM SYSTEM

- ETA Standard ETA Standard None
 Customer drawing



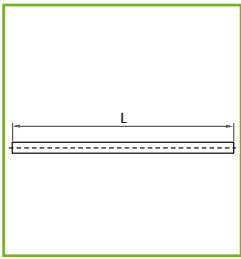
Stainless steel

5 - ACCESSORIES

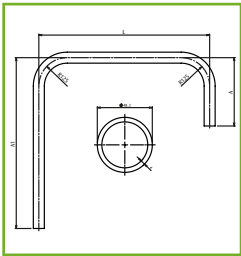
- ERM-002 handles (supply includes nr. 2 pieces) Keyboard shelf

6 - FURTHER REQUIREMENTS, PUNCHINGS, ACCESSORIES

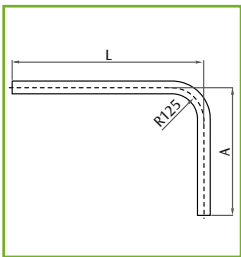
ARTICULATED SUPPORT ARM



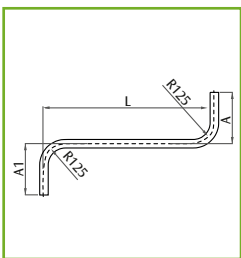
"I" VERSION		
CODE	L = min 250 - max 1.500	
<input type="checkbox"/> ERI-0500X	500	
<input type="checkbox"/> ERI-0750X	750	
<input type="checkbox"/> ERI-1000X	1.000	
<input type="checkbox"/> SPC		



"J" VERSION			
CODE	A1 = min 250 - max 1.000	L = min 380 - max 1.000	A = min 250 - max 1.000
<input type="checkbox"/> ERJ-030503X	300	500	300
<input type="checkbox"/> ERJ-050503X	500	500	300
<input type="checkbox"/> ERJ-070703X	750	750	300
<input type="checkbox"/> SPC			



"L" VERSION		
CODE	L = min 250 - max 1.000	A = min 250 - max 1.000
<input type="checkbox"/> ERL-0305X	300	500
<input type="checkbox"/> ERL-0505X	500	500
<input type="checkbox"/> ERL-0705X	750	500
<input type="checkbox"/> SPC		



"S" VERSION			
CODE	A1 = min 250 - max 1.000	L = min 380 - max 1.000	A = min 250 - max 1.000
<input type="checkbox"/> ERS-030503X	300	500	300
<input type="checkbox"/> ERS-030703X	300	750	300
<input type="checkbox"/> ERS-031003X	300	1000	300
<input type="checkbox"/> SPC			

HOUSING

- CHOOSE THE ELEMENT FOR THE HOUSING
- Fixing ERCF-001X
 - Swivel ERCC-001X
 - Swivel (rear fastening) ERCF-010X

Stainless steel

BASE ATTACHMENT

- CHOOSE THE ELEMENT FOR THE FIXING
- Fixed ERDF-001X
 - Swivel (front fastening) ERDG-001XA
 - Swivel (rear fastening) ERDG-001XP

WALL-FIXING

- CHOOSE THE ELEMENT FOR THE FIXING
- Fixed ERPF-001X
 - Swivel (front fastening) ERPG-001XA
 - Swivel (rear fastening) ERPG-001XP

WALL-MOUNTING BRACKET

- CHOOSE THE ELEMENT FOR THE FIXING
- Front fastening ERPS-001XA
 - Rear fastening ERPS-001XP

WALL-FIXING

- Fixed ERPF-001
- Swivel with rear fastening ERPG-001XP

SOLUTION FOR OUTDOOR APPLICATIONS



ETA QUALITY, FOR OUTDOOR

Thanks to the specific constructive concept, high quality materials and resistant finishes, the range of outdoor solutions E VIS provides the perfect protection of the framework internal components by environmental factors, extreme temperatures, direct sunlight, harsh environment, vandalism and atmospherical, chemical and mechanical agents.

For these reasons, E VIS product design provides an exceptional protection for your outdoor applications.

BENEFITS

New manufacturing concepts	Innovation
Natural ventilation	Functionality
Resistant materials and finishes for outdoor applications	Strength
Quick assembly and easy wiring	Easiness
Anti-vandalism design and protection of the inner components	Safety

Outdoor



e vis

SOLUTIONS FOR OUTDOOR APPLICATIONS

FEATURES

- 1 Available in two versions: single-wall or double-wall with coverings.
- 2 Available in two materials: steel sheet and aluminium alloy.
- 3 ETA special finishing cycle: paint-based primer with deposition by cataphoresis with epoxy resin and finishing using thermosetting powders.
- 4 Monobloc cabinets with a vandal-resistant silhouette that is inaccessible when the door is closed.
- 5 Rain canopy screwed on the structure.



- 6 Door provided with a locking system with key and with the possibility to install different inserts or lockable closures.
- 7 Natural ventilation around the monobloc cabinet, due to the “double-wall” system of the side and rear panels, the ventilated roof and the plinth.
- 8 Quick and easy installation wiring, combined with the maximum safety and security.
- 9 It can be equipped internally with ETA standard accessories.

Outdoor





INNOVATION

Innovative product concept.



DESIGN

Thanks to the custom design, the side covers are assembled without the aid of screws.

Outdoor

S
PLUS
R

FLEXIBILITY

Possibility to design solutions with special dimensions, different finishes, special insulations, silicone seal or completely customised solutions according to customers' requirements.



THERMAL MANAGEMENT

Double-layer front door and ventilation openings on the roof for a simple thermal management of the solution.



FUNCTIONALITY

Only 3 screws to assemble the hinged roof and fix the side covers to the monobloc structure.



STRENGTH AND SAFETY

With the door closed there are no points of access from the outside. Locking system with key.



EASINESS

Large cable entry and quick assembly of the front plinth crosspiece for an easy wiring.



IMPROVEMENTS

- Reversible door
- plinth side crosspieces for an easy mounting
- lifting system with 2 eyebolts
- plate can be recessed flush with the uprights
- silicone foam seal supplied as a standard.

CHARACTERISTICS

- Monobloc enclosure, roof, door and rear panel manufactured from aluminium alloy AlMg3 or sheet steel.
- welded monobloc structure with removable rear panel
 - roof with ventilation slots and screwed to the monobloc enclosure
 - exclusive frontal access with a door provided with a two-component silicone foam seal, 3 points lever-operated locking system and key lock
 - 40 mm high rain canopy with a 20 mm overhang on all sides
 - removable and screwed cable entry plates
 - available with the double door for L=1200 mm
 - plinth H=100/200 available with front blank or ventilated crosspieces, to be ordered separately.

PAINT FINISH

ETA special finishing cycle: paint-based primer with deposition by cataphoresis with epoxy resin and finishing using thermosetting powders. Colour: RAL 7035 smooth finish.



PROTECTION RATING

- IP56 (single door) and IP55 (double door) complying with IEC EN62208; EN62262
- protection degree guaranteed by the two-component silicone foam seal
- impact resistance IK 10 complying with IEC EN62208; EN62262.

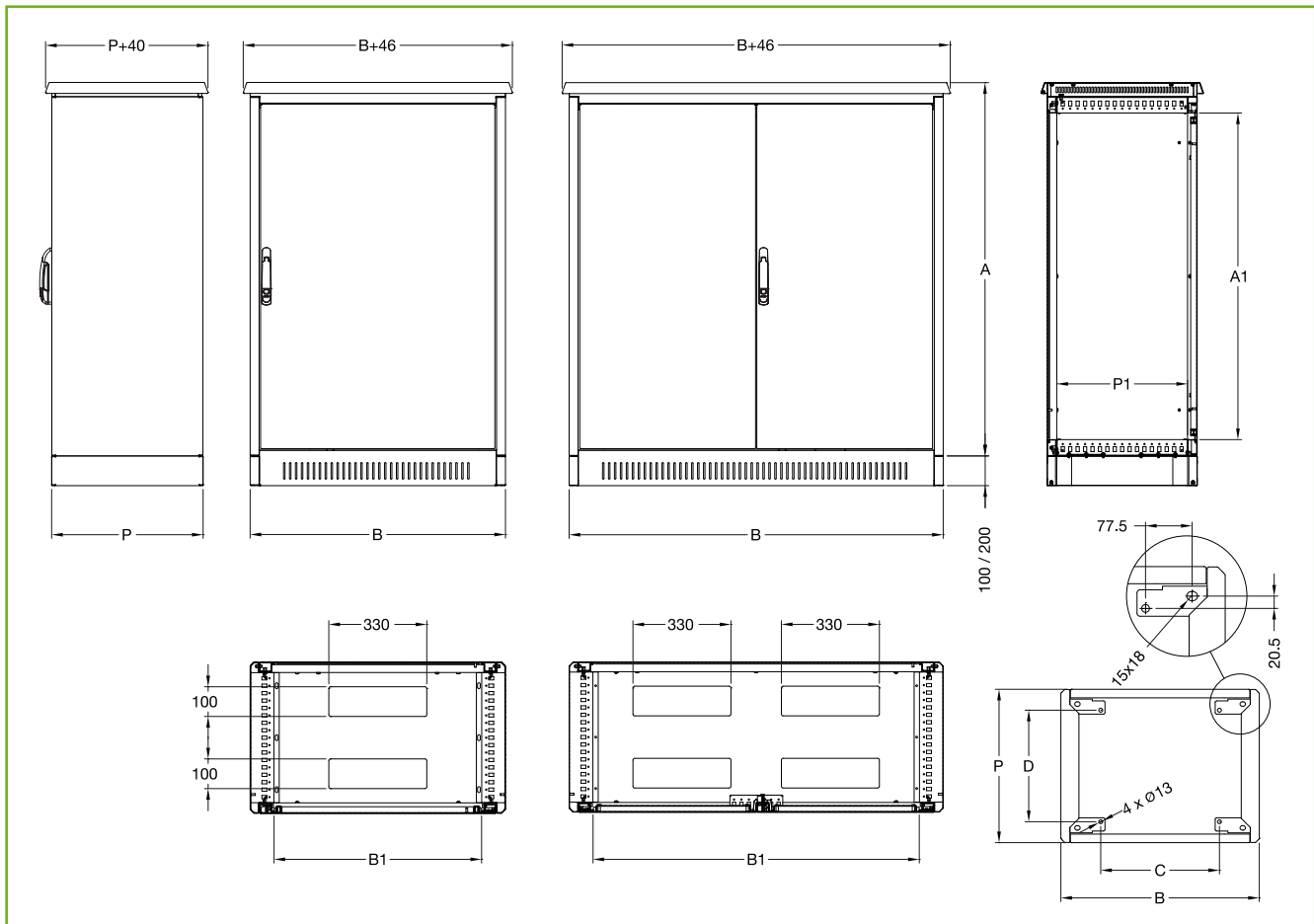


RAL 7035L



Accessories, see page 260.

Outdoor



DIMENSIONAL SPECIFICATIONS

E VIS CODE	DIMENSIONS			CABINET DIMENSIONS			AVAILABLE SPACE		
	WIDTH	HEIGHT	DEPTH	B	A	P	B1	A1	P1
EVIS060804SA	600	800	400	660	858	410	500	700	340
EVIS061204SA	600	1200	400	660	1258	410	500	1100	340
EVIS061205SA	600	1200	500	660	1258	510	500	1100	440
EVIS061404SA	600	1400	400	600	1458	410	500	1300	340
EVIS080804SA	800	800	400	860	858	410	700	700	340
EVIS081204SA	800	1200	400	860	1258	410	700	1100	340
EVIS081205SA	800	1200	500	860	1258	510	700	1100	440
EVIS081404SA	800	1400	400	860	1458	410	700	1300	340
EVIS120804SA	1200	800	400	1260	858	410	1100	700	340
EVIS121204SA	1200	1200	400	1260	1258	410	1100	1100	340
EVIS121205SA	1200	1200	500	1260	1258	510	1100	1100	440
EVIS121404SA	1200	1400	400	1260	1458	410	1100	1300	340

Codes are referring to the single-wall solution manufactured from aluminium alloy. To order the single-wall sheet steel version, replace the suffix "A" with the suffix "M" (i.e.: EVIS060804SM).

Further dimensions available upon request.

Outdoor



RAL 7035L



Accessories, see page 260.

Outdoor

✓ IMPROVEMENTS

- Reversible door
- plinth side crosspieces for an easy mounting
- lifting system with 2 eyebolts
- plate can be recessed flush with the uprights
- silicone foam seal supplied as a standard.

📦 CHARACTERISTICS

- Monobloc enclosure, roof, door, rear panel and covers manufactured from aluminium alloy AIMg3 or sheet steel.
- welded monobloc structure with removable rear panel and provided with external covers
 - rear and side covers fixed to the monobloc structure without the aid of screws, with a pre-defined mounting sequence and a logical system of joints
 - hinged roof with ventilation slots frontally screwed to the frame of the monobloc enclosure
 - exclusive frontal access with a double-wall door provided with a two-component silicone foam seal, 3 points lever-operated locking system and key lock
 - 40 mm high rain canopy with a 20 mm overhang on all sides
 - removable and screwed cable entry plates
 - available with the double door for L=1200 mm
 - plinth H=100/200 available with front blank or ventilated crosspieces, to be ordered separately

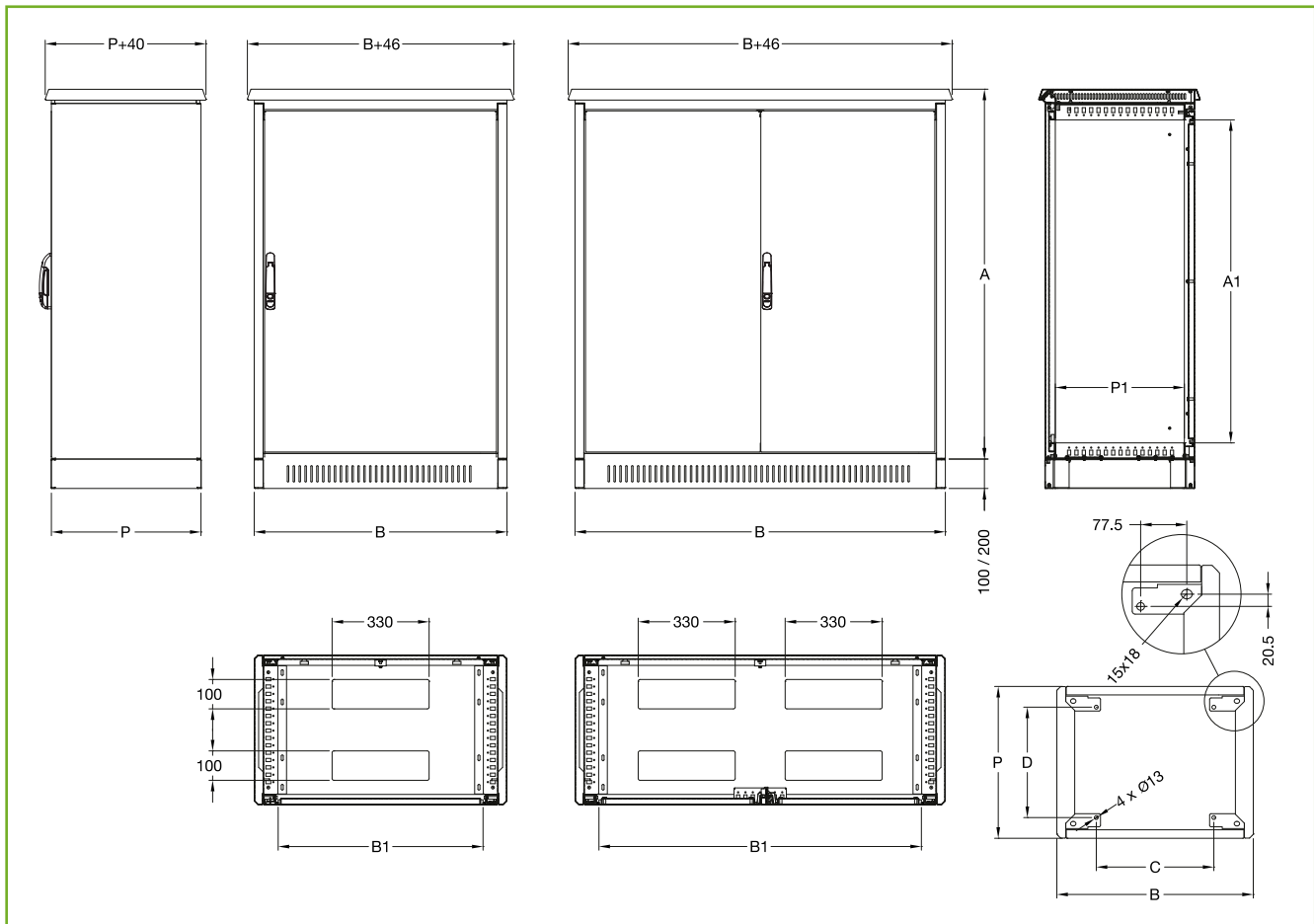
🌀 PAINT FINISH

ETA special finishing cycle: paint-based primer with deposition by cataphoresis with epoxy resin and finishing using thermosetting powders. Colour: RAL 7035 smooth finish.



🛡️ PROTECTION RATING

- IP56 (single door) and IP55 (double door) complying with IEC EN62208; EN62262
- protection degree guaranteed by the two-component silicone foam seal
- impact resistance IK 10 complying with IEC EN62208; EN62262.



DIMENSIONAL SPECIFICATIONS

E VIS CODE	DIMENSIONS			CABINET DIMENSIONS			AVAILABLE SPACE		
	WIDTH	HEIGHT	DEPTH	B	A	P	B1	A1	P1
EVIS060804DA	600	800	400	660	858	410	500	700	340
EVIS061204DA	600	1200	400	660	1258	410	500	1100	340
EVIS061205DA	600	1200	500	660	1258	510	500	1100	440
EVIS061404DA	600	1400	400	600	1458	410	500	1300	340
EVIS080804DA	800	800	400	860	858	410	700	700	340
EVIS081204DA	800	1200	400	860	1258	410	700	1100	340
EVIS081205DA	800	1200	500	860	1258	510	700	1100	440
EVIS081404DA	800	1400	400	860	1458	410	700	1300	340
EVIS120804DA	1200	800	400	1260	858	410	1100	700	340
EVIS121204DA	1200	1200	400	1260	1258	410	1100	1100	340
EVIS121205DA	1200	1200	500	1260	1258	510	1100	1100	440
EVIS121404DA	1200	1400	400	1260	1458	410	1100	1300	340

Codes are referring to the double-wall solution manufactured from aluminium alloy. To order the double-wall sheet steel version, replace the suffix "A" with the suffix "M" (i.e.: EVIS060804DM).


Further dimensions available upon request.

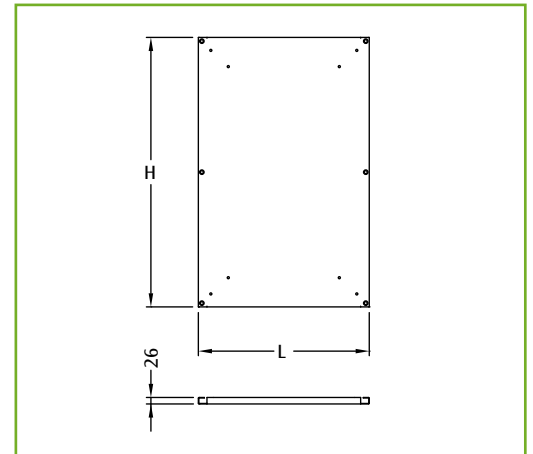
Outdoor



FRONT INSERTED MOUNTING PLATE EVPA

Manufactured from sendzimir sheet steel.

 To be ordered separately: mounting accessories WTAC-002.



MOUNTING PLATE

EVPA CODE	CABINET DIM.		M. PLATE DIM.	
	B	A	L	H
EVPA-060080	600	800	485	680
EVPA-060120	600	1200	485	1080
EVPA-060140	600	1400	485	1280
EVPA-080080	800	800	685	680
EVPA-080120	800	1200	685	1080
EVPA-080140	800	1400	685	1280
EVPA-120080	1200	800	1085	680
EVPA-120120	1200	1200	1085	1080
EVPA-120140	1200	1400	1085	1280

Outdoor



MODULAR PLINTH EVZE

CHARACTERISTICS

Front and lateral crosspieces with integrated corners manufactured from aluminium alloy AlMg3 or sheet steel.

PAINT FINISH

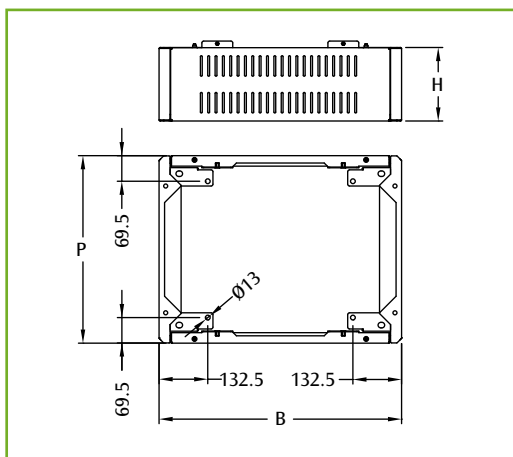
ETA special finishing cycle: paint-based primer with deposition by cataphoresis with epoxy resin and finishing using thermosetting powders. Colour: RAL 7035 smooth finish.



SUPPLY

The plinth is composed by:

- two lateral blank crosspieces with integrated corners
- two front blank or ventilated crosspieces.



LATERAL CROSSPIECES WITH CORNERS

EVZE CODE	DESCRIPTION	P
EVZE-T0400A	LATERAL CROSSPIECES WITH INTEGRATED CORNERS H=100	410
EVZE-T0500A	LATERAL CROSSPIECES WITH INTEGRATED CORNERS H=100	510

FRONT CROSSPIECES

EVZE CODE	DESCRIPTION	B
EVZE-T0600A	FRONT BLANK CROSSPIECES H=100	660
EVZE-T0800A	FRONT BLANK CROSSPIECES H=100	860
EVZE-T1200A	FRONT BLANK CROSSPIECES H=100	1260

Codes are referring to the plinth in aluminium alloy.

To order the plinth in the sheet steel version, replace the suffix "A" with the suffix "M" (i.e.: EVZE-T0400M).

To order the frontal crosspieces with ventilation slots, add the suffix "V" to the code (i.e.: EVZE-T0400AV or EVZE-T0400MV).

To order crosspieces with H=200, add the suffix "D" to the code (i.e.: EVZE-T0400AD or EVZE-T0400AVD).



19" RAILS AEMK

Designed for assembling 19" items or modular equipment on DIN rails.

CHARACTERISTICS

Manufactured from zinc sheet steel.

SUPPLY

Includes nr. 2 pieces.

19" RAILS		
AEMK CODE	CABINET HEIGHT	HE
AEMK150800	800	15
AEMK241200	1200	24
AEMK291400	1400	29



BRACKETS AEP0070

Brackets manufactured from zinc sheet steel, used for the mounting of 19" uprights on cabinets W=600 mm.

SUPPLY

Includes nr. 4 pieces.



WIDTH RAILS AEP0098

Rails for the mounting of 19" rack uprights (AEMK, AERL, AERC) on E VIS cabinets with W=800 mm. Manufactured from sendzimir sheet steel.

SUPPLY

Includes nr. 2 pieces.

WIDTH RAILS	
AEP CODE	WIDTH
AEP0098	800

Outdoor

To be ordered separately AEP0070 (nr. 4 pieces) for the assembly of 19" rack rails.

EYEBOLTS WTGS-004

CHARACTERISTICS

Zinc-passivated M12 lifting eyebolts.

SUPPLY

Includes nr. 2 pieces with mounting accessories.

DOOR STOP WTFP-008

Allows the mechanical stop of the door at 95°.

SUPPLY

Includes 1 piece with accessories.

WE LOCKING SYSTEMS


For WE locking systems and inserts that are different from the standard solutions with the key, see page 59.



THERMAL MANAGEMENT

Outdoor applications, that are exposed to different temperature gradients and to a continuous solar irradiation, need a good conditioning to constantly ensure the proper functioning of the electrical and electronic equipment installed.

In order to handle these issues in an appropriate way, in addition to the standard items for ventilation and heating, we offer a choice of specific outdoor cooling unit, to be installed inside or outside the cabinet and a wide range of accessories (anti-condensation heaters etc.)

 For further information, see Thermal Management section (page 303).

Outdoor

Cable glands for outdoor applications are available (see pages 267 and 268).





EMC SOLUTIONS

The EC Directive on electromagnetic compatibility applies to equipment and units that can generate/ receive electromagnetic waves and liable to cause interferences, altering the correct functioning of electronic equipment installed in the cabinets.

Our products, not being a source of electromagnetic waves, go beyond the dispositions of the Directive, but they can act as a barrier of the electromagnetic waves which propagate from the internal and external source: this allows a significant damping of the electromagnetic field strength (both the electric and the magnetic components of the field) and, as a consequence, of the disturbance that they cause to the equipment.

BENEFITS

Structural features	High protection
Constructive concepts and performing materials	Customer support to comply with the Directive
Variety of solutions, cabinets and boxes	Flexibility
Compliance to the industry standards	Safety

EMC



CHARACTERISTICS

The profile used for uprights and crosspieces is unique, manufactured from high-strength low-alloy sheet steel, closed with continuous welding and free of sharp edges. The bottom is a single piece with box type structure manufactured from press-bent welded profiles of high-strength low-alloy sheet steel. The frame corners are manufactured in a special steel with orthogonal joints laser welded to vertical upright rails and horizontal rails for the roof and bottom. Only 8 high-strength low-alloy screws are necessary to mount the structure, while two position pins allow the easy mounting of the two parts of the joint.

PAINT FINISH

ETA standard finishing cycle: paint-based primer with deposition by cataphoresis with epoxy resin and finishing using thermosetting powders:

- door and rear panel (external): RAL 7035 textured finish
- roof (external): RAL 5020 textured finish.



ASSEMBLED E NUX CABINET

- structure manufactured from high-strength low-alloy galvanized sheet steel
- door manufactured from sheet steel, galvanized on both sides and painted only externally, with stiffening frame, complete with Ø 3 mm lever-operated double bar locking system
- rear panel and removable roof galvanized on both sides and painted only externally
- bottom manufactured from high-strength low-alloy galvanized sheet steel, provided with a single galvanized base plate
- shielding and conductive gasket positioned on the structure and the bottom.

E NUX CABINET

ASSEMBLED CABINET CODE	DIMENSIONS		
	WIDTH	HEIGHT	DEPTH
ENUX062006PRZ	600	2000	600
ENUX082006PRZ	800	2000	600
ENUX062008PRZ	600	2000	800
ENUX082008PRZ	800	2000	800

Further dimensions available on request.

For plexi door version, it is available on request a window manufactured from polycarbonate or methacrylate, with the internal part manufactured from a wire mesh that allows the vision of the internal instrumentation without altering significantly the offered shielding values.

PROTECTION RATING

NEMA 1 complying with UL508, UL50.

EMC cabinets tested at the Nemko SpA laboratory. For more details, refer to the Technical section on page 349.

JOINING KIT EUKU-002EMC

Used to join together E NUX EMC cabinets.

SUPPLY

Includes: 8 connection blocks - conductive, shielding and adhesive gasket - mounting accessories.



SIDE PANELS EUFI

CHARACTERISTICS

Manufactured from sheet steel with folded sides, galvanized on both sides and painted only externally.

PAINT FINISH

ETA standard finishing cycle: paint-based primer with deposition by cataphoresis with epoxy resin and finishing using thermosetting powders: Colour: RAL 7035 textured finish.

SUPPLY

- two side panels
- rapid fasten couplers
- mounting accessories.

Further dimensions are available upon request.



SIDE PANELS

EUFI CODE	DIMENSIONS	
	HEIGHT	DEPTH
EUFI060200EMC	2000	600
EUFI080200EMC	2000	800

EMC



E COR EMC ENCLOSURE

CHARACTERISTICS AND COMPOSITION

Housing made from sendzimir sheet steel with painted externally only, without cable entry. Reversible door made from sendzimir sheet steel and painted externally only, with Ø 3 mm double Bit locking system (box and insert in zinc alloy, stainless steel tab) and conductive and shielding gasket. Mounting plate made from galvanized steel. Set of screws for grounding and assembly.

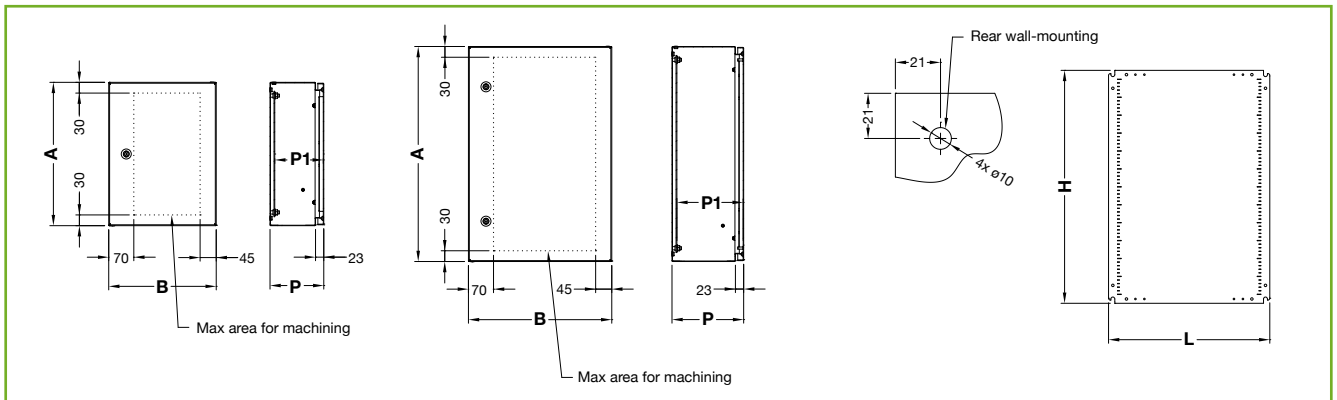
PAINTING

ETA standard finishing cycle: paint-based primer with deposition by cathoresis with epoxy resin and finishing using thermosetting powders. Colour: RAL7035 textured. External paint only.



PROTECTION RATING

NEMA1 compliant with UL508A and UL50.



E COR BOXES

E COR CODE	ENCLOSURE				TYPO/NO.	MOUNTING PLATE	
	B	A	P	P1		L	H
EC020315.E	200	300	150	135	Box/1	150	250
EC040420.E	400	400	200	185	Box/1	350	350
EC040620.E	400	600	200	185	Box/2	350	550
EC060630.E	600	600	300	285	Box/2	550	550

SD EMC TERMINAL BOXES

Enclosure and cover manufactured from sheet steel.

SUPPLY

The box includes:

- galvanized enclosure, painted only externally
- galvanized cover, painted only externally, fixed with captive screws and provided with holes for the application of hinges
- conductive and shielding gasket
- set of screws for cover fixing.

PAINT FINISH

ETA standard finishing cycle: paint-based primer with deposition by cathoresis with epoxy resin and finishing using thermosetting powders. Colour: RAL 7035 textured finish.



PROTECTION RATING

NEMA 1 complying with UL508; UL50.



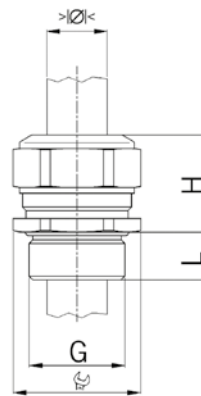
SD BOXES

SDVE CODE	BOX DIMENSIONS		
	WIDTH	HEIGHT	DEPTH
SDVE3312	300	300	120
SDVE5312	500	300	120

For your special projects, we offer a wide range of tested cable glands that have been designed to guarantee safe and performing solutions!

From simplified to complex and harsh applications areas, a specific solution for the cabling is available:


- 1 Generic industrial business
- 2 Transportation: high vibrating loads and high levels of chemical pollution
- 3 Marine industry: specific requirements
- 4 Electronically-controlled substations: EMC requirements
- 5 Food industries: anti-bacterial substances for high level of safety
- 6 Chemical industry and off-shore: potentially explosive atmospheres




STAINLESS STEEL CABLE GLANDS

Material: stainless steel
 Seal: TPE for A2; FPM for A4
 O-ring: NBR for A2; FPM for A4
 Strain relief: Ver. A
 Temperature range: -40° / + 100°C for A2; -40° / + 200°C for A4
 Protection rating: IP 68 up to 10 bar

STAINLESS STEEL CABLE GLANDS
 Long entry thread metric, two-piece sealing insert not overall length insulated

G	>Ø< min mm	>Ø< max mm	 mm	H mm	L mm	CODE (STAINLESS STEEL A2)	CODE (STAINLESS STEEL A4)	M.o.q.
M16x1.5	6.0	10.5	19	20	10	WP17105X2	WP17105X4	50
M20x1.5	8.0	15.0	24	21	10	WP20150X2	WP20150X4	50
M25x1.5	12.5	20.5	30	25	11	WP25205X2	WP25205X4	25
M32x1.5	17.0	25.5	36	28	13	WP32255X2	WP32255X4	25
M40x1.5	24.0	33.0	46	31	13	WP40330X2	WP40330X4	10
M50x1.5	33.0	42.0	55	34	14	WP50420X2	WP50420X4	10
M63x1.5	40.0	52.0	70	37	14	WP63520X2	WP63520X4	5

 Stainless steel A4 is acid-resistant and suitable for high temperatures.

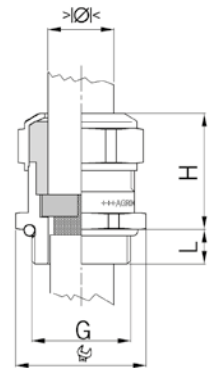
Harsh environments



CABLE GLANDS FOR EMC APPLICATIONS


This range guarantees full control during installation and compensates for tolerances in shielding thicknesses to make a secure screened tap connection. The spring system provides for a very good contact of partially stripped shielding cables equally as well as for the contact of completely exposed cable shields which can be routed further.

Material: nickel-plated brass
 Contact spring: steel 1.4310
 Seal: TPE
 O-ring: NBR
 Strain relief: according to IEC EN 6244, Ver. A
 Temperature range: -40° / + 100°C
 Protection rating: IP 68 / IP 69K



CABLE GLANDS FOR EMC APPLICATIONS

Two-piece sealing insert, not overall length insulated

G	>Ø< min mm	>Ø< max mm	 mm	H mm	L mm	Code (short entry thread metric)	L mm	CODE (long entry thread metric)	M.o.q.	NOTE
M12x1.5	3.5	5.0	15	22	5	WP12050EC	10	WP12050EL	50	1
M12x1.5	5.0	6.5	15	22	5	WP12065EC	10	WP12065EL	50	1
M16x1.5	6.0	10.5	18	25	5	WP17105EC	10	WP17105EL	50	-
M20x1.5	8.0	15.0	24	27	6	WP20150EC	10	WP20150EL	50	-
M25x1.5	12.5	20.5	30	33	7	WP25205EC	11	WP25205EL	25	-
M32x1.5	17.0	25.5	36	33	8	WP32255EC	13	WP32255EL	25	-
M40x1.5	24.0	33.0	46	38	8	WP40330EC	13	WP40330EL	10	2
M50x1.5	33.0	42.0	55	42	9	WP50420EC	14	WP50420EL	10	2
M63x1.5	40.0	52.0	70	42	10	WP63520EC	14	WP63520EL	5	2

1 - one piece sealing insert
 2 - approval pending

FURTHER OPTIONS AVAILABLE

CABLE GLANDS FOR FOOD INDUSTRY

Ultra-flat cable glands offering very little surface for contamination; manufactured from stainless steel A2, temperature range -40°/+200° and protection rating IP68. Available with or without EHEDG certification.

CABLE GLANDS FOR OUTDOOR APPLICATIONS

Ultra-flat cable glands inhibiting any manipulation from outside, with no contact surface for interference. Manufactured from nickel-plated brass, temperature range -40°/+100° and protection rating IP68.

CABLE GLANDS FOR POTENTIALLY EXPLOSIVE ATMOSPHERES

Cable glands designed for Ex d IIC and increased safety Ex e II applications; manufactured in nickel-plated brass (stainless steel version available on request), temperature range -60°/+100°, protection rating IP68.
 Certificate: EC-Type PTB 10 ATEX 1034X / IECEx PTB 12.0055
 Certificate: SEV 15 ATEX 0152X / IECEx SEV 15.0019X



Harsh environments



For any further request, do not hesitate to contact our Sales team.

A INDUSTRIAL AUTOMATION

- 1** AUTOMOTIVE
- 2** FOOD & BEVERAGE
- 3** PACKAGING
- 4** OIL & GAS
- 5** HANDLING & LOGISTIC
- 6** PHARMA
- 7** WATER & WASTEWATER
- 8** MARINE & OFFSHORE

B DATA NETWORKING

- 1** NETWORKING
- 2** DATA CENTER
- 3** SMART BUILDING

C COMMERCIAL

- 1** MONITORING & SECURITY
- 2** COMMERCIAL BUILDING
- 3** INFRASTRUCTURE
- 4** HVAC

D ENERGY MANAGEMENT

- 1** RENEWABLE
- 2** SMART CITY
- 3** LV DISTRIBUTION
- 4** ENERGY STORAGE

BIONIQ
BIONIQ LIGHT
BQPA
ETR
ETCR
BEC

PENDANT ARM SYSTEM

A1 A2 A3 A5 A6 A7 C4 D1

THERMAL MANAGEMENT ETHERMO

A1 A3 A4 A5 A8 C4

CABLE TRAY SYSTEM E RIVI

A1 A3 A5 A7 C4 D1

HOW TO BUILD YOUR CONTROL PANEL

- 1 Choose the Bioniq, Bioniq light or ETCR range.
- 2 Enter the front panel dimensions (L x H).
- 3 Enter the enclosure dimensions taking the following depth options into account for the Bioniq range:
standard depth 75/130 +
100 extension for Bioniq and 75/130/180 extension for Bioniq light
- 4 Select optional accessories.
- 5 Build BQPA or ETR suspension system.



bqpa



etr



bqpa



etr



bqpa



etr



etr

Suspension arm system



SUSPENSION ARM SYSTEM

FEATURES

Bioniq is the pendant system for control interfaces that is presented to combine design and technology. It is designed as a real "system", manufactured from aluminium alloy and uses its modularity on the three dimensional axes.

- The BQC operator panel enclosure and the BQK keyboard enclosure are customizable in width, height and depth, on the base of the man-machine interface that have to be inserted.

- The BQPA pendant arm system can be composed on the base of the type of application (it can be fixed on the roof, on the wall or on pedestal).
- Wide range of accessories.

Suspension
arm system





CHARACTERISTICS

Structure made from alloyed aluminium with extruded profiles joined by means of die-cast angular pieces.

PAINT FINISH

ETA standard finishing cycle: paint-based primer with deposition by cathaphoresis with epoxy resin and finishing using thermosetting powders. Colour: RAL 9006 silver.



PROTECTION RATING

NEMA 1 in compliance with UL508A; UL50.

SELECTION

To select the operator panel enclosure, indicate the generic family code, classified according to depth as in the table hereunder, and simply indicate the width and height dimensions. When ordering, also specify if the suspension arm shall be fixed to the roof (T) or bottom (B) of the enclosure or if it is a desk version (P).

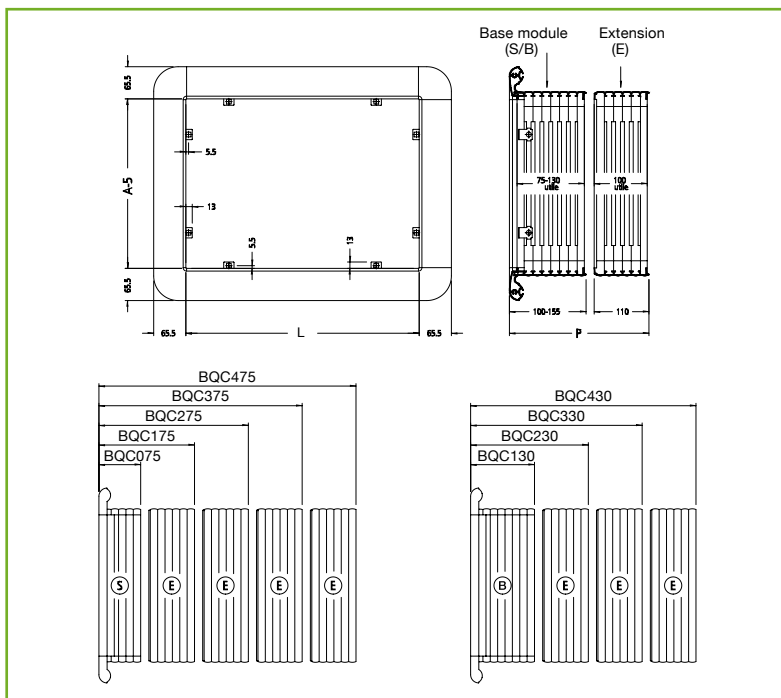
WIDTH AND HEIGHT

Thanks to a high degree of customization, you can choose the width (L) and the height (A) of the operator panel on the base of the equipment that have to be inserted.

DEPTH

The enclosure depth must be selected from the base modules with two different depths, as follows:

- small module (S) with useful internal depth of 75 mm
 - big module (B) with useful internal depth of 130 mm.
- The base modules can be expanded with extensions (E) with useful internal depth of 100 mm.



SELECTION PROCEDURE

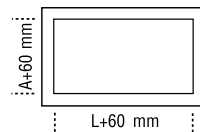
					W+60 mm	H+60 mm	T/B/P
S	B	Q	C	0 7 5			
B	B	Q	C	1 3 0			
S + E	B	Q	C	1 7 5			
B + E	B	Q	C	2 3 0			
S + 2E	B	Q	C	2 7 5			
B + 2E	B	Q	C	3 3 0			
S + 3E	B	Q	C	3 7 5			
B + 3E	B	Q	C	4 3 0			
S + 4E	B	Q	C	4 7 5			

T = fixing of BQPA pendant arm system on BQC enclosure roof

B = fixing of BQPA pendant arm system on BQC enclosure bottom

P = fixing of BQC enclosure on the desk.

- All dimensions are given in mm
- For dimensions above 999 mm, please contact the ETA sales office
- Complete the configuration with BQBP rear panel, BQWA-003 hinges and BQFR front panel if necessary
- The minimum depth of the BQC operator panel enclosure shall be 130 mm (if the BQPA pendant arm system is used)



Suspension arm system



CHARACTERISTICS

Structure made from alloyed aluminium with extruded profiles joined by means of die-cast angular pieces.

PAINT FINISH

ETA standard finishing cycle: paint-based primer with deposition by cataphoresis with epoxy resin and finishing using thermosetting powders. Colour: RAL 9006 silver.



PROTECTION RATING

NEMA 1 in compliance with UL508A; UL50.

SELECTION

To select the keyboard enclosure, indicate the generic family code, classified according to depth, and indicate the width and height dimensions.

WIDTH AND HEIGHT

Thanks to a high degree of customization, you can choose the width (L) and the height (A) of the operator panel on the base of the equipment that have to be inserted.

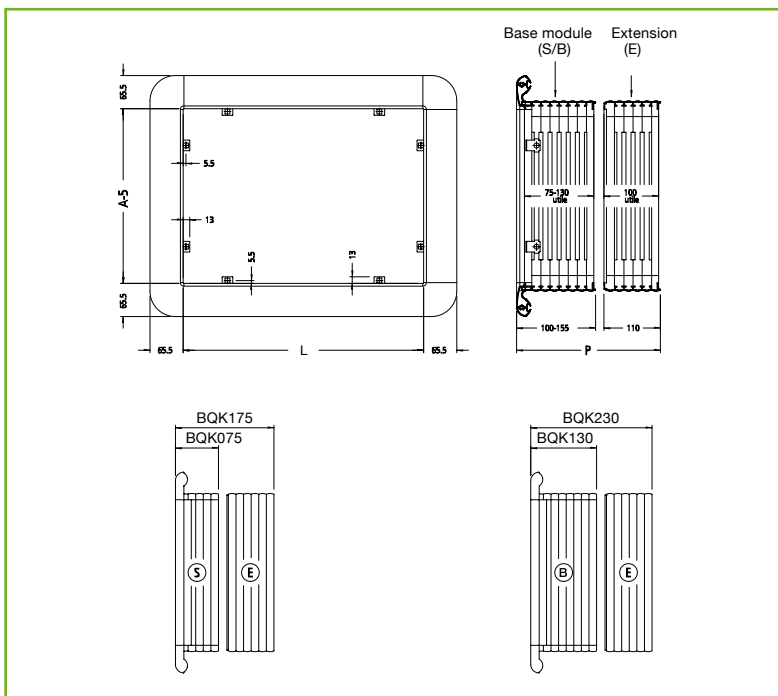
DEPTH

The enclosure depth must be selected from the base modules with two different depths, as follows:

- small module (S) with useful internal depth of 75 mm
- big module (B) with useful internal depth of 130 mm.

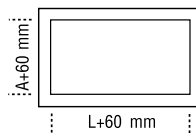
The base modules can be expanded with extensions (E) with useful internal depth of 100 mm.

To be ordered separately the joining profile to the operator panel enclosure BQPU-001 and the rubber sleeve BQM-001 for cable passage (as an alternative to BQPU-001, order the 90-degree connection bracket BQKU-003, see page 279).

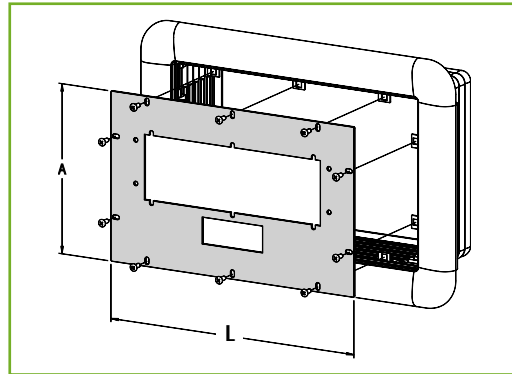


SELECTION PROCEDURE

		W+60 mm	H+60 mm
S	B Q K 0 7 5		
B	B Q K 1 3 0		
S + E	B Q K 1 7 5		
B + E	B Q K 2 3 0		



- All dimensions are given in mm
- Complete the configuration with BQBP rear panel, BQWA-003 hinges and BQFR front panel if necessary (see page 274)



🔍 If required, specify the size of the holes to be drilled in the panel.
Fixing kit BQFK-001 for the front panel assembly to be ordered separately.

FRONT PANEL BQFR-001

CHARACTERISTICS

Panel manufactured from sheet aluminium, it can be screwed from outside through special holes.

PAINT FINISH

ETA standard finishing cycle: paint-based primer with deposition by cataphoresis with epoxy resin and finishing using thermosetting powders. Colour: RAL 9006L.

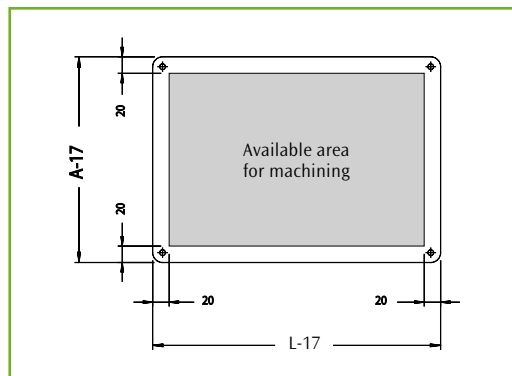


SUPPLY

Panel complete with mounting accessories.

SELECTION

According to customer specifications, with dimensions given in millimeters, ETA manufactures the drilled front panel and the corresponding operator panel enclosure BQC.



🔍 If a hinged panel is required, specify this option in the order and order the BQWA-003 hinges separately (see page 279).
For the desk configuration with direct fixing, order the rear panel BQBP-002.

REAR PANEL BQBP-001 / BQBP-002

CHARACTERISTICS

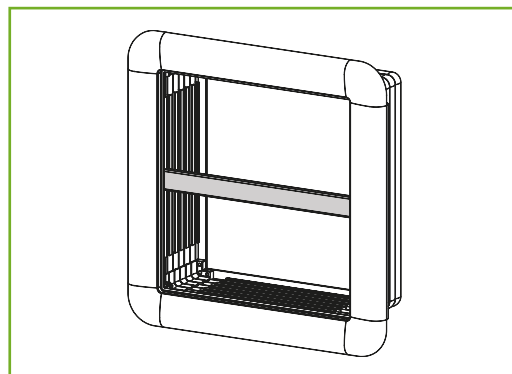
Panel manufactured from non-painted sheet aluminium, it can be screwed from outside through special holes.

SUPPLY

Single panel complete with mounting accessories.

SELECTION

According to customer specifications, with dimensions given in millimeters, ETA manufactures the rear panel.



SEPARATION PROFILE BQPR-001

It allows to divide the operator panel enclosure into two areas and it can be installed vertically and horizontally.

CHARACTERISTICS

Manufactured from sheet steel.

PAINT FINISH

ETA standard finishing cycle: paint-based primer with deposition by cataphoresis with epoxy resin and finishing using thermosetting powders. Colour: RAL 9006 silver.



SUPPLY

Single piece complete with mounting accessories.

SELECTION

The separation profile dimensions match the BQFR front panel dimensions.



SUSPENSION ARM SYSTEM

FEATURES

Bioniq light is the pendant system for control interfaces with a sober and essential design: a flexible system with a high quality/price ratio and fully modular on the three dimensional axes.

- The BQLC operator panel enclosure and the BQLK keyboard enclosure are customizable in width, height and depth, on the base of the man-machine interface that have to be inserted.

- The BQPA pendant arm system can be composed on the base of the type of application (it can be fixed on the roof, on the wall or on pedestal).
- Wide range of accessories.

Suspension
arm system





CHARACTERISTICS

Structure manufactured from anodized aluminium from extruded profiles, joined by means of die-cast and painted angular pieces.

PROTECTION RATING

NEMA 1 in compliance with UL508A; UL5 0.

SELECTION

To select the light operator panel enclosure BQLC, indicate the generic family code, classified according to depth as in the table hereunder, and simply indicate the width and height dimensions. When ordering, also specify if the suspension arm shall be fixed to the roof (T) or bottom (B) of the enclosure or if it is a desk version (P).

WIDTH AND HEIGHT

Thanks to a high degree of customization, you can choose the width (L) and the height (A) of the operator panel on the base of the equipment that have to be inserted.

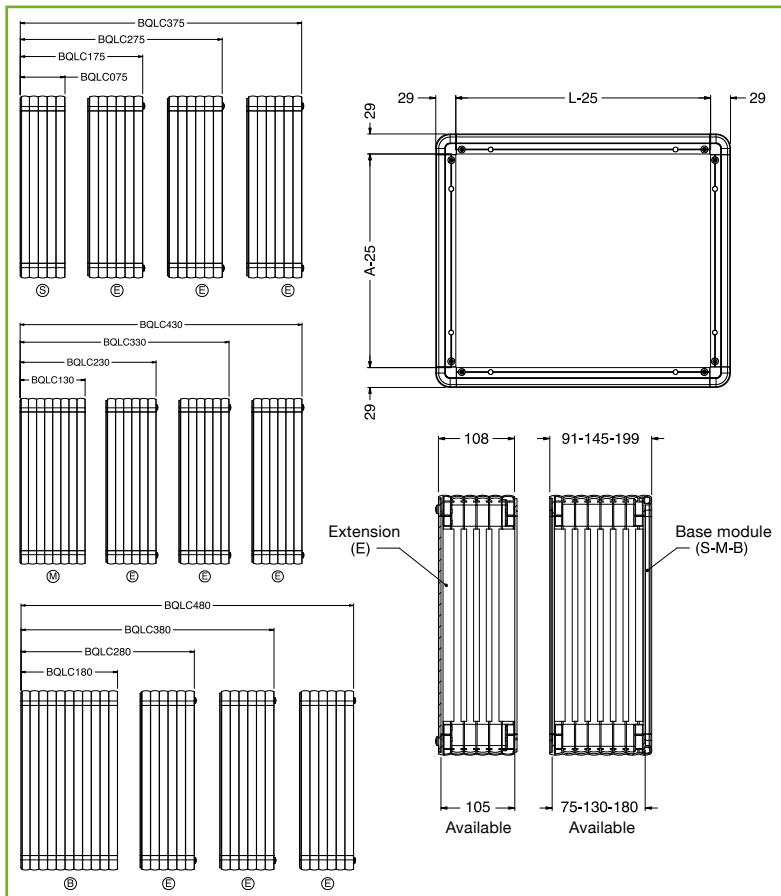
DEPTH

The enclosure depth must be selected among modules with three different depths:

- small module (S) with useful internal depth of 75 mm
- medium module (M) with useful internal depth of 130 mm
- big module (B) with useful internal depth of 180 mm.

The base modules can be expanded with extensions (E) with useful internal depth of 100 mm.

BQLH handles to be ordered separately (see page 278).



SELECTION PROCEDURE

		W+60 mm	H+60 mm	T/B/P
S	B Q L C 0 7 5			
M	B Q L C 1 3 0			
B	B Q L C 1 8 0			
S + E	B Q L C 1 7 5			
M + E	B Q L C 2 3 0			
B + E	B Q L C 2 8 0			
S + 2E	B Q L C 2 7 5			
M + 2E	B Q L C 3 3 0			
B + 2E	B Q L C 3 8 0			
S + 3E	B Q L C 3 7 5			
M + 3E	B Q L C 4 3 0			
B + 3E	B Q L C 4 8 0			

T = fixing of BQPA pendant arm system on BQLC enclosure roof

B = fixing of BQPA pendant arm system on BQLC enclosure bottom

P = fixing of BQLC enclosure on the desk

- All dimensions are given in mm
- For dimensions above 999 mm, please contact the ETA sales office
- Complete the configuration with BQLBP rear panel, and if needed with BQWA-003 hinges and BQFR front panel if the unit is not fixed directly to the enclosure
- The minimum depth of the BQLC operator panel enclosure shall be 130 mm (if a pendant arm system is used)

Suspension arm system



CHARACTERISTICS

Structure manufactured from anodized aluminium from extruded profiles, joined by means of die-cast and painted angular pieces.

PROTECTION RATING

NEMA 1 in compliance with UL508A; UL50.

SELECTION

To select the keyboard housing BQLK, indicate the generic family code, classified according to depth as in the table hereunder, and simply indicate the width and height dimensions.

WIDTH AND HEIGHT

Thanks to a high degree of customization, you can chose the width (L) and the height (A) of the operator panel on the base of the equipment that have to be inserted.

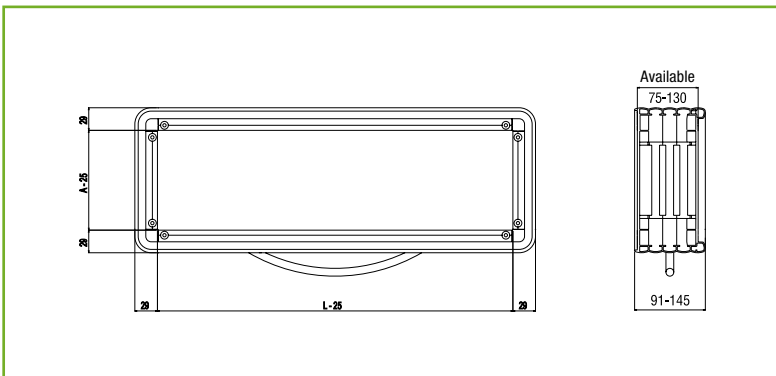
DEPTH

The enclosure depth must be selected among modules with two different depths:

- small module (S) with useful internal depth of 75 mm
- medium module (M) with useful internal depth of 130 mm.

In this case, the extension modules cannot be used.

To be ordered separately: the joining profile, the operator panel enclosure BQLKU-001, the rubber sleeve BQLM-001 for cable passage and the handles BQLH, see page 278. As an alternative to BQLKU-001, order the 90-degree connection bracket BQLKU-004 coupled with rubber sleeve BQM-001.



SELECTION PROCEDURE

	W+60 mm	H+60 mm
B Q L K 0 7 5		
B Q L K 1 3 0		

- All dimensions are given in mm
- For dimensions above 999 mm, please contact the ETA sales office
- Complete the configuration with BQLBP rear panel, and if needed with BQ-WA-003 hinges and BQFR front panel if the unit is not fixed directly to the enclosure

FRONT PANEL BQLFR-001

CHARACTERISTICS

Panel manufactured from aluminium sheet, it can be screwed from inside through the studs welded on the panel.

PAINT FINISH

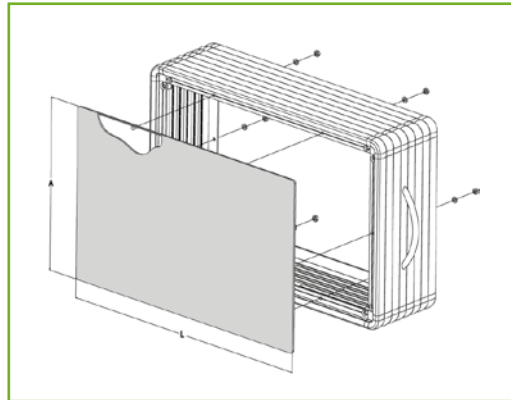
ETA standard finishing cycle: paint-based primer with deposition by cataphoresis with epoxy resin and finishing using thermosetting powders. Colour: RAL 9006L.



SUPPLY

Includes 1 panel complete with mounting accessories.

Fixing kit BQLFK-001 for the front panel assembly to be ordered separately.



SELECTION

According to customer specifications, with dimensions given in millimeters, ETA manufactures the drilled front panel and the corresponding operator panel housing BQLC.

If required, specify the size of the holes to be drilled in the panel.

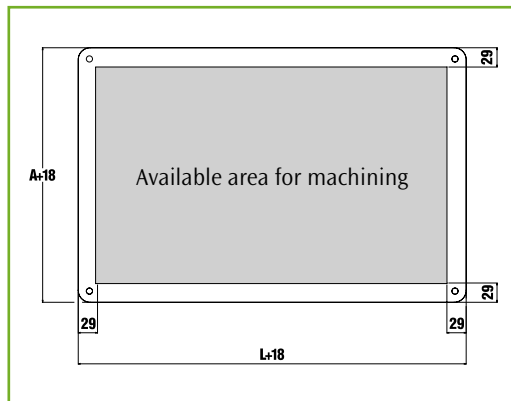
REAR PANEL BQLBP-001

CHARACTERISTICS

Panel manufactured from non-painted aluminium sheet, it can be screwed from inside through the studs welded on the panel.

SUPPLY

Includes 1 panel complete with mounting accessories.



SELECTION

According to customer specifications, with dimensions given in millimeters, ETA manufactures the rear panel.

If a hinged panel is required, specify this option in the order and order the BQWA-003 hinges separately.

SEPARATION PROFILE BQLPR-001

It allows to divide the operator panel enclosure into two areas; it can be installed vertically and horizontally.

CHARACTERISTICS

Manufactured from sheet steel.

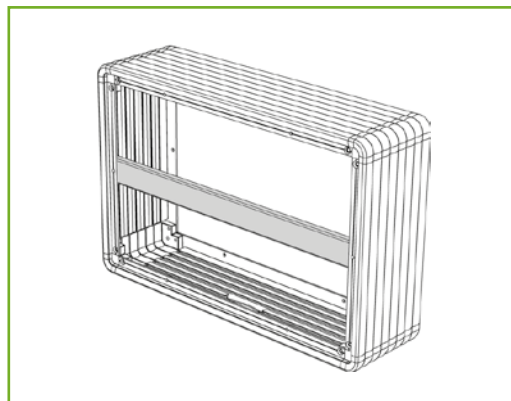
PAINT FINISH

ETA standard finishing cycle: paint-based primer with deposition by cataphoresis with epoxy resin and finishing using thermosetting powders. Colour: RAL 9006 silver.



SUPPLY

Includes 1 piece complete with mounting accessories.



SELECTION

The separation profile dimensions match the BQLFR front panel dimensions.

BQLH HANDLE

CHARACTERISTICS

Handle made from alloyed steel.

PAINT FINISH

ETA standard finishing cycle: paint-based primer with deposition by cataphoresis with epoxy resin and finishing using thermosetting powders. Colour: RAL 9006 silver.

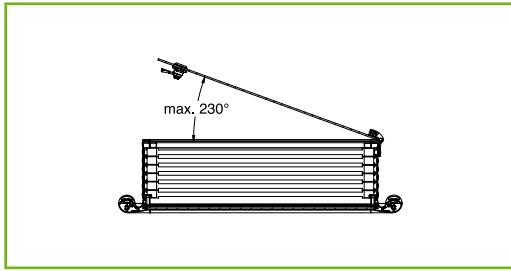


SUPPLY

Includes 1 piece with mounting accessories:

- BQLH-001 handle L=150 mm
- BQLH-002 handle L=225 mm
- BQLH-004 handle L=360 mm.





HINGE BQWA-003

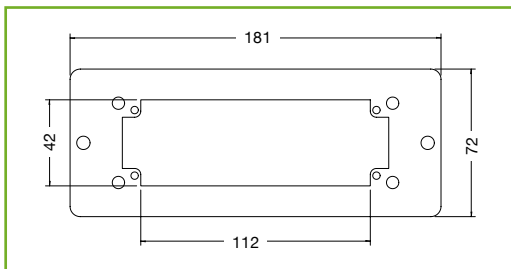
It allows to open the rear panel BQPB and BQLBP.

CHARACTERISTICS

Manufactured from alloyed zinc, it opens at 230°.

SUPPLY

Includes 1 piece complete with mounting accessories.

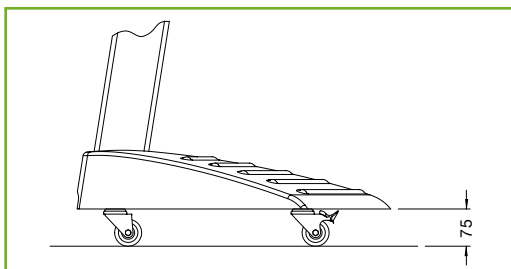


FLANGE FOR FLOPPY DISK DOOR SIEMENS BQFD-002

Flange manufactured from sheet aluminium to contain the Siemens CNC. It allows to lodge the device on the side of the enclosure.

SUPPLY

Includes 1 piece.



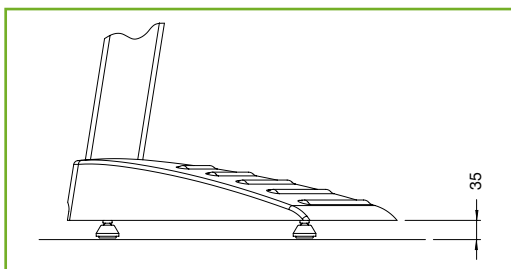
CASTOR FOR BIONIQ DESK BQRU-001

CHARACTERISTICS

Support of pressed sheet metal with chrome-plated zinc details; high-quality polyamide castor.

SUPPLY

Includes 1 piece complete with mounting hardware.



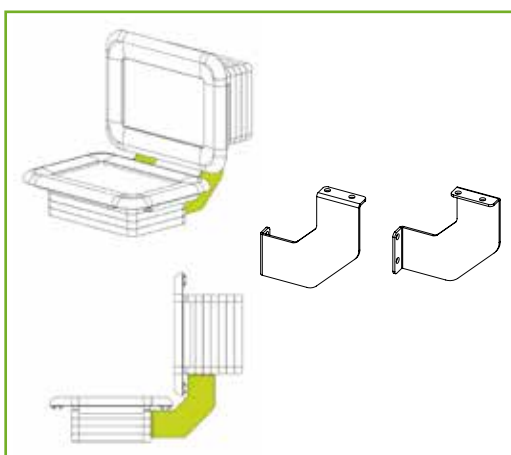
FOOT FOR BIONIQ DESK BQPL-001

CHARACTERISTICS

Swivelling foot consisting of a polyamide base and a galvanized steel support.

SUPPLY

Includes 1 piece.



SQUARE-ANGLE CONNECTION BRACKET FOR BIONIQ BQKU-003 FOR BIONIQ LIGHT BQLKU-004

It allows to fix a keyboard to the operator panel enclosure of the bioniq/bioniq light system at 90°.

CHARACTERISTICS

Bracket made from sheet steel.

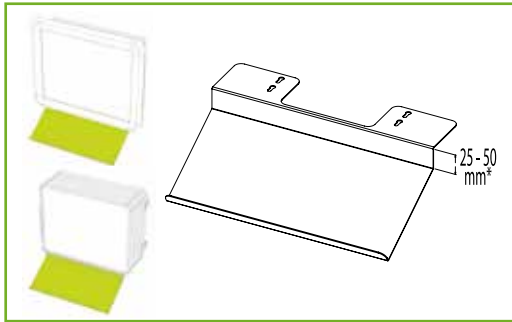
PAINT FINISH

ETA standard finishing cycle: paint-based primer with deposition by cataphoresis with epoxy resin and finishing using thermosetting powders. Colour: aluminium coating RAL 9006.

SUPPLY

Includes 2 pieces complete with mounting hardware.





When ordering, indicate the keyboard footprint (WxD in mm).
 * Height of profile for bioniq light 25 mm, height of profile for bioniq 50 mm.

KEYBOARD SUPPORT FOR BIONIQ BQSK-001 FOR BIONIQ LIGHT BQLSK-001

It allows to fix a keyboard to the operator panel enclosure of the bioniq/bioniq light system.

CHARACTERISTICS

Manufactured from sheet steel.

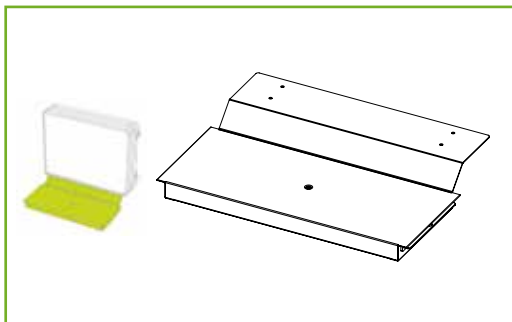
PAINT FINISH

ETA standard finishing cycle: paint-based primer with deposition by cathoresis with epoxy resin and finishing using thermosetting powders. Colour: aluminium coating RAL 9006.



SUPPLY

Includes 1 piece complete with screws to fix to the enclosure.



When ordering, indicate the keyboard footprint (WxD in mm).

KEYBOARD SHELF WITH MOUSE PAD FOR BIONIQ BQRM-001 FOR BIONIQ LIGHT BQLRM-001

CHARACTERISTICS

Keyboard shelf with mouse pad manufactured from sheet steel, fixing bracket manufactured from sheet steel.

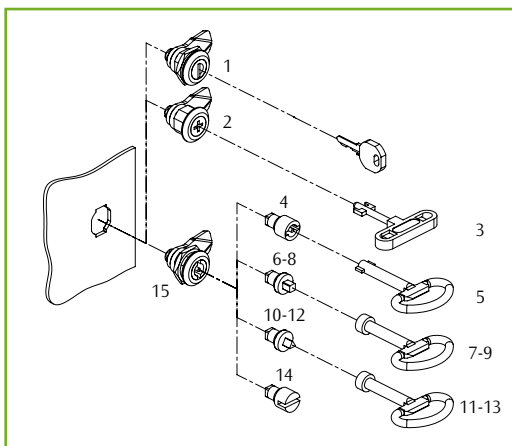
PAINT FINISH

ETA standard finishing cycle: paint-based primer with deposition by cathoresis with epoxy resin and finishing using thermosetting powders. Colour: aluminium coating RAL 9006.



SUPPLY

Includes 1 piece complete with screws to fix to the enclosure.



LOCKING SYSTEMS

The locking systems for bioniq and bioniq light are conceived for the secure locking of the rear panel.

SUPPLY

Each lock consists of a key, an insert and a block with fixing lever.

LOCKING SYSTEM		
LOCKSET CODE FOR PANEL FIXING BWE	REF.	DESCRIPTION
BWE030	1	LOCK WITH KEY
BWE050	2	FIAT LOCK
BWE210	3	FIAT KEY
BWE010	4	ETA INSERT
BWE096	5	ETA KEY
BWE060	6	INSERT ∇ 6 MM
BWE260	7	KEY ∇ 6 MM
BWE070	8	INSERT ∇ 7 MM
BWE268	9	KEY ∇ 7 MM
BWE080	10	INSERT ∇ 6.5 MM
BWE273	11	KEY ∇ 6.5 MM
BWE090	12	INSERT ∇ 8 MM
BWE278	13	KEY ∇ 8 MM
BWE100	14	SCREW DRIVER INSERT
BWE140	15	LOCK WITHOUT INSERT



The bioniq/bioniq light pendant arm system must be made up according to the type of arm to be assembled, as projection from above or from a wall require a different combination of elements.

CHARACTERISTICS

Tubular structure manufactured from extruded aluminium; other elements made from die-cast pieces.

PAINT FINISH

ETA standard finishing cycle: paint-based primer with deposition by cataphoresis with epoxy resin and finishing using thermosetting powders. Colour: aluminium coating RAL 9006.



Rotary turret, enclosure coupling, flanges and angular piece, medium grey painting.

SELECTION

The suspension system is composed of elements (wall flange, turning turret, angular pieces, joints) and customizable modular segments (segment A and final tube T), whose codes are given in the table.

The arm must then be assembled with the operator panel enclosure, and with the keyboard enclosure if available.

LENGTH

The modular sections of the arm (BQAA segment or BQEC tube) are available in fixed lengths (see the table) or can be customized.

The suspension system must be fixed to the base.

SELECTION PROCEDURE

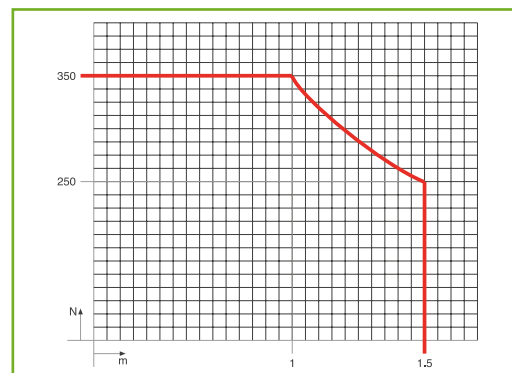
DESCRIPTION

CODE

ROTARY TURRET "11"	B Q R 0 1 1
WALL FLANGE "10"	B Q F 0 1 0
WALL COUPLING "15"	B Q R 0 1 5
ANGULAR PIECE "30"	B Q E 0 3 0
ANGULAR PIECE "35"	B Q E 0 3 5
ENCLOSURE COUPLING BQC AND BQLC "40"	B Q J 0 4 0
COUPLING FOR SIMPLE ENCLOSURE BST/BSTF "50"	B Q J 0 5 0
SECTION "A" L=500 MM	B Q A A 0 5 0 0
SECTION "A" L=750 MM	B Q A A 0 7 5 0
SECTION "A" L=1000 MM	B Q A A 1 0 0 0
SECTION "A" L=1500 MM	B Q A A 1 5 0 0
SECTION "A" L=	B Q A A
Note: max length for section "A"=1500 mm.	
TUBE "T" L=250 MM	B Q E C 0 2 5 0
TUBE "T" L=500 MM	B Q E C 0 5 0 0
TUBE "T" L=750 MM	B Q E C 0 7 5 0
TUBE "T" L=1000 MM	B Q E C 1 0 0 0
TUBE "T" L=	B Q E C

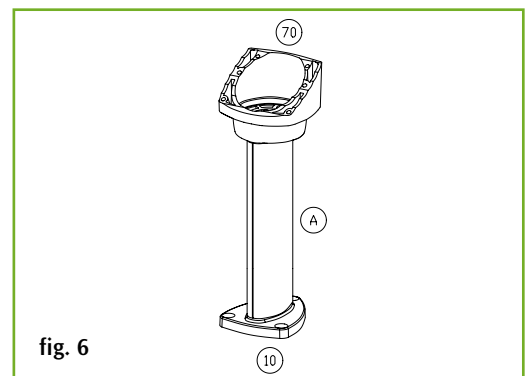
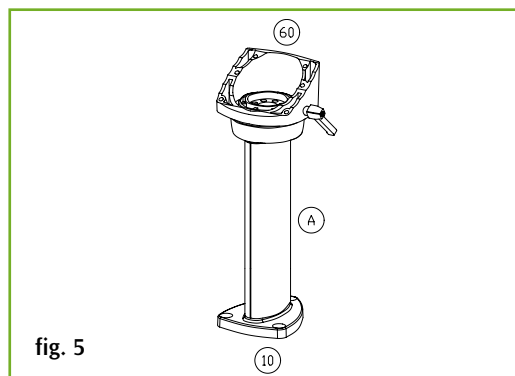
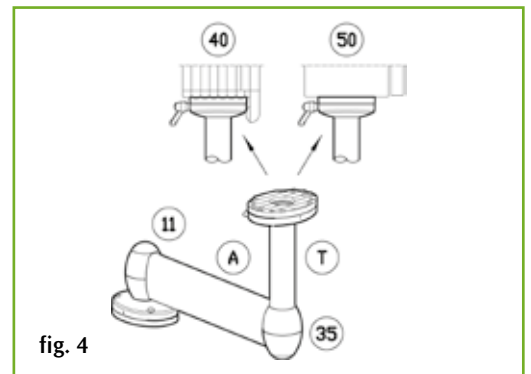
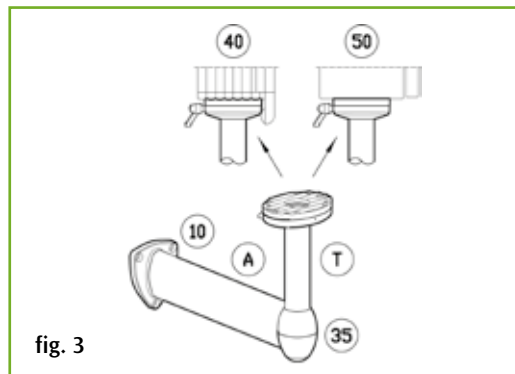
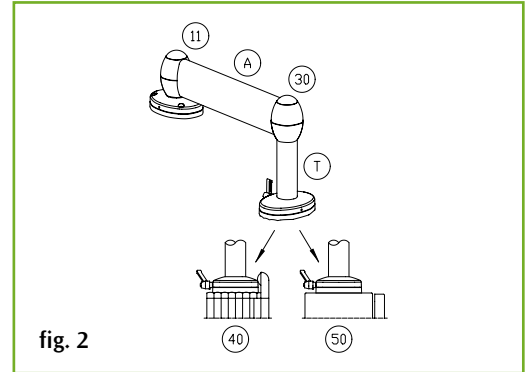
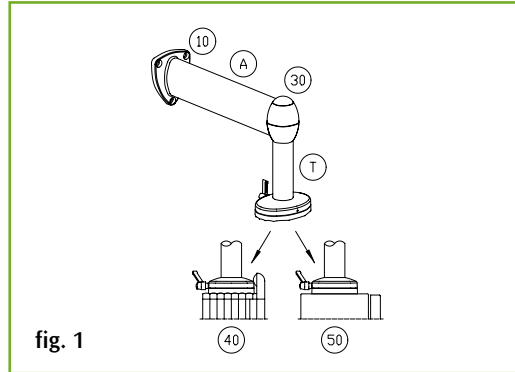
LOAD DIAGRAM

The basic parameter for the selection of the pendant arm system is the mechanical load it must bear in different situations, which depends on the weight of enclosures and the protruding arm length. The following diagram provides a correct identification of the mechanical load capacity of the pendant arm system, based on its size and the weight of all enclosure and arm components.



Suspension arm system

FIXING SOLUTIONS FOR THE PENDANT ARM SYSTEM



ELEMENTS AND SEGMENTS

Suspension arm system

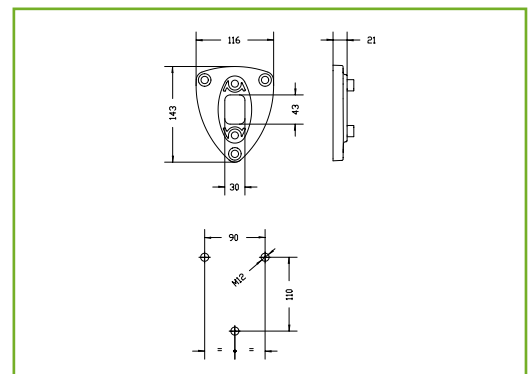


WALL MOUNT FLANGE "10" BQF010

Weight: kg. 0.251.

SUPPLY

Includes 1 piece with mounting and fixing accessories.



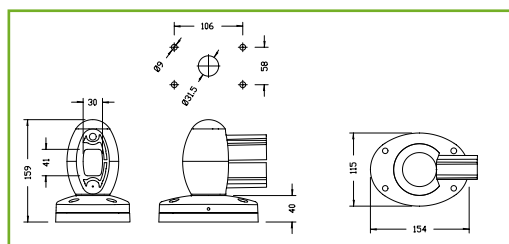


TOP MOUNTED SWIVEL "11" BQR011

Weight: kg. 1.780.
Rotation 300°.

SUPPLY

Includes 1 piece with mounting accessories.

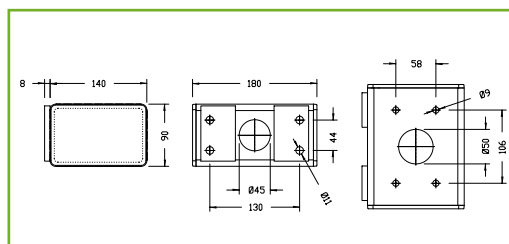


WALL COUPLING "15" BQR015

Weight: kg. 4.850.

SUPPLY

Includes 1 piece with mounting accessories.



INTERMEDIATE ELBOW "30" BQE030

Weight: kg. 0.630.

SUPPLY

Includes 1 piece with mounting accessories.

To be used with "T" tube mounted towards the bottom.

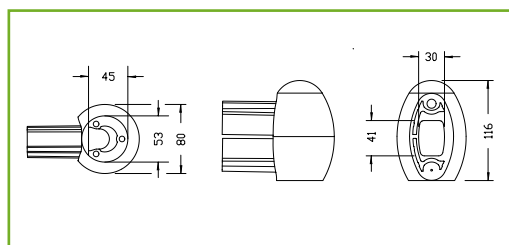
INTERMEDIATE ELBOW "35" BQE035

Weight: kg. 0.630.

SUPPLY

Includes 1 piece with mounting accessories.

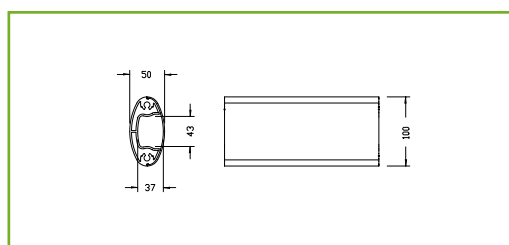
To be used with "T" tube mounted towards the top.



HORIZONTAL ARM "A" BQAA

SUPPLY

Includes 1 piece complete with cover to fix the arm to the top mounted swivel BQR011 and to the intermediate elbow BQE030/BQE035.



HORIZONTAL ARM "A"		
BQAA CODE	LENGTH MM	WEIGHT KG
BQAA0500	500	1.789
BQAA0750	750	2.684
BQAA1000	1000	3.578
BQAA1500	1500	5.367

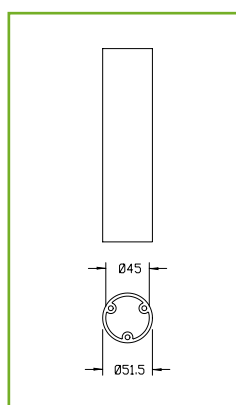


VERTICAL TUBE "T" BQEC

SUPPLY

Includes 1 piece with mounting accessories.

VERTICAL TUBE "T"		
BQEC CODE	LENGTH MM	WEIGHT KG
BQEC0250	250	0.441
BQEC0500	500	0.883
BQEC0750	750	1.324
BQEC1000	1000	1.765



Suspension arm system

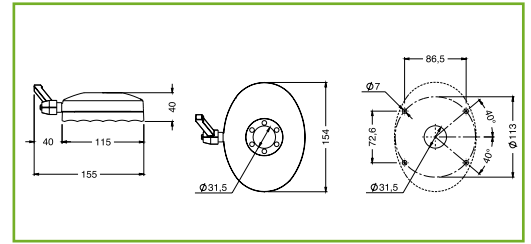


**ENCLOSURE COUPLING FOR BQC "40"
BQJ040**

Weight: kg. 0.930.
Rotation 300°.

SUPPLY

Includes 1 piece with mounting accessories.

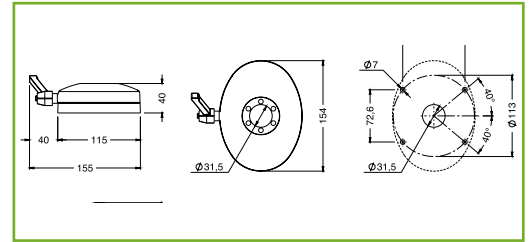


**ENCLOSURE COUPLING FOR BST "50"
BQJ050**

Weight: kg. 0.930.
Rotation 300°.

SUPPLY

Includes 1 piece with mounting accessories.

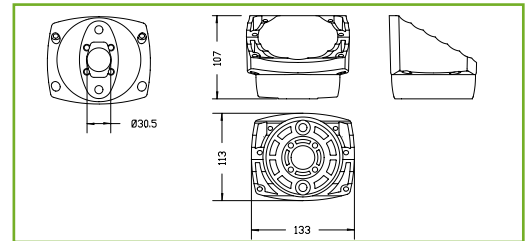


**FIXED FLANGE FOR ENCLOSURE SUPPORT
BQFC001**

Weight: kg. 1.066.

SUPPLY

Includes 1 piece with mounting accessories.

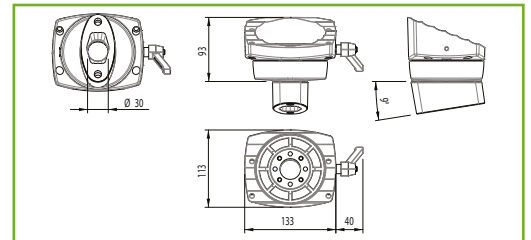


**ROTATING FLANGE FOR ENCLOSURE
SUPPORT BQFC002**

Weight: kg. 1.228.
Rotation 300°.

SUPPLY

Includes 1 piece with mounting accessories.



ADJUSTABLE COUPLING BQGR-001

It allows to orientate the operator panel enclosure optimally.

CHARACTERISTICS

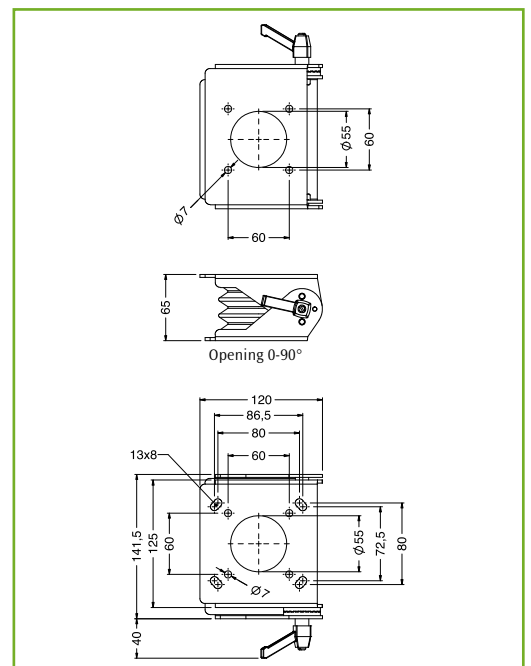
Coupling made from sheet steel with adjustment rings. Neoprene bellows with PVC flanges and locking lever.

PAINT FINISH

Colour: medium grey.

SUPPLY

Includes 1 piece complete with mounting hardware.





A STRATEGIC PARTNERSHIP TO WIDEN OUR PRODUCT OFFERING FOR INDUSTRIAL AUTOMATION

Further to a careful selection process based on vision and corporate values, ETA has finalized a partnership agreement with one of the most prominent European companies in designing, manufacturing and supplying suspension arm systems: ETA and this company share the values of innovation, quality, product and service flexibility.

ETA enriches its offer of Industrial Automation Solutions thanks to these 3 ranges of ETR suspension systems and housings, suitable for different application requirements.

The structure of the support arm system is defined by machine size, enclosure dimensions and enclosure weight, the number of connection elements (used as few different components) and the profile lengths.

ETA offers various solutions for different load capacities:

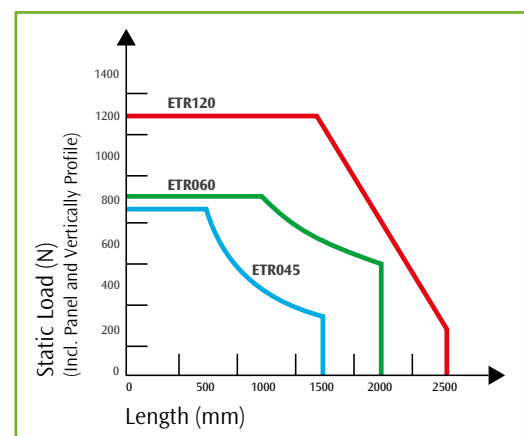
ETR045 (400N Load Capacity)

ETR060 (800N Load Capacity)

ETR120 (1200N Load Capacity)

(Load capacity is defined for a total of 1 meter profile including enclosure).

LOAD DIAGRAM FOR VARIOUS ETA PROFILE SYSTEMS



Suspension
arm system

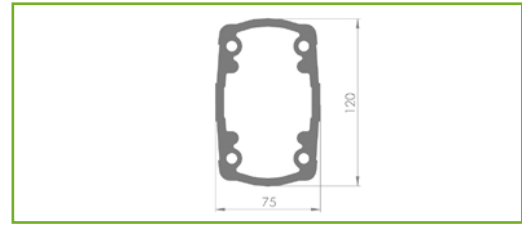
	CODE	COMPONENT	ROTATABLE	FIX	LENGTH (mm)	WEIGHT (gr)	COLOR NO. RAL NO.	PACK.
	ETR120025	120 Support Profile - 250 mm			250	1.950	7035	1
	ETR120050	120 Support Profile - 500 mm			500	3.900	7035	1
	ETR120075	120 Support Profile - 750 mm			750	5.850	7035	1
	ETR120100	120 Support Profile - 1000 mm			1000	7.800	7035	1
	ETR120125	120 Support Profile - 1250 mm			1250	9.750	7035	1
	ETR120150	120 Support Profile - 1500 mm			1500	11.700	7035	1
	ETR120175	120 Support Profile - 1750 mm			1750	13.650	7035	1
	ETR120200	120 Support Profile - 2000 mm			2000	15.600	7035	1
	ETR120310	Ø 130 mm 310° Rotatable Panel Coupling	●			1.300	7035	1
	ETR120320	Ø 130 mm 310° Rotatable 90° Panel Angle Coupling	●			2.400	7035 5020	1
	ETR120330	90° Angle Piece		●		1.650	7035 5020	1
	ETR120340	315° (± 150°) Rotatable Intermediate Hinge	●			5.630	7035 5020	1
	ETR120350	315° (± 150°) Rotatable Top Mounted 90° Angle Joint	●			5.880	7035 5020	1
	ETR120360	315° (± 150°) Rotatable Top Mounted Vertical Outlet	●			4.755	7035 5020	1
	ETR120370	315° (± 150°) Rotatable Wall-Mounted Hinge. Horizontal Outlet	●			6.600	7035 5020	1
	ETR120380	315° (± 150°) Rotatable Wall-Mounted Hinge. Vertical Outlet	●			5.765	7035 5020	1
	ETR120390	Wall/Socket Mounting Bracket		●		816	7035 5020	1
	ETR120400	120/060 Support Arm Reducer		●		500	7035	1
	ETR120430	Warning Lamp Cover		●		284	5020	1

Suspension arm system



SUPPORT ARM PROFILE ETR120025

Length: 250 mm.
 Weight: gr. 1.950
 Colour: RAL 7035
 Package: 1
 Package Size: 80 x 130 x 260 mm.
 Support Arm Profile Length:
 250 - 500 - 750 - 1000 - 1250 - 1500 - 1750 - 2000 mm.



ROTATABLE PANEL COUPLING ETR120310

Weight: gr. 1.300
 Colour: RAL 7035
 Package: 1
 Package Size: 150 x 65 x 135 mm.
 Diameter: Ø 130 mm.
 Rotate: 310°



ROTATABLE 90° PANEL ANGLE COUPLING ETR120320

Weight: gr. 2.400
 Colour: RAL 7035 / 5020
 Package: 1
 Package Size: 215 x 145 x 170 mm.
 Diameter: Ø 130 mm.
 Rotate: 310°



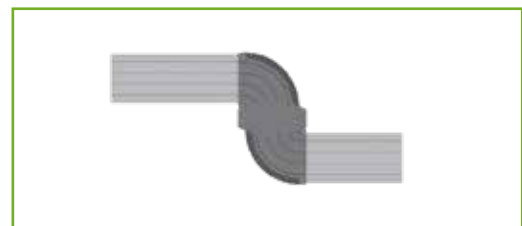
90° ANGLE PIECE ETR120330

Weight: gr. 1.650
 Colour: RAL 7035 / 5020
 Package: 1
 Package Size: 165 x 100 x 160 mm.
 Rotate: Fixed



ROTATABLE INTERMEDIATE HINGE ETR120340

Weight: gr. 5.630
 Colour: RAL 7035 / 5020
 Package: 1
 Package Size: 355 x 175 x 175 mm.
 Rotate: 315°



ROTATABLE TOP MOUNTED 90° ANGLE JOINT ETR120350

Weight: gr. 5.880
 Colour: RAL 7035 / 5020
 Package: 1
 Package Size: 210 x 240 x 205 mm.
 Rotate: 315°



ROTATABLE TOP MOUNTED VERTICAL OUTLET ETR120360

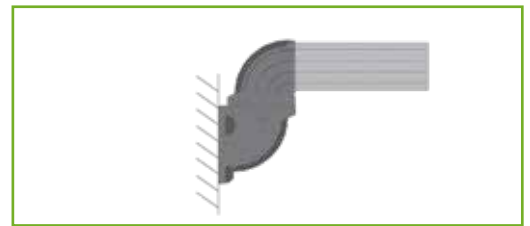
Weight: gr. 4.755
 Colour: RAL 7035 / 5020
 Package: 1
 Package Size: 220 x 120 x 210 mm.
 Rotate: 315°





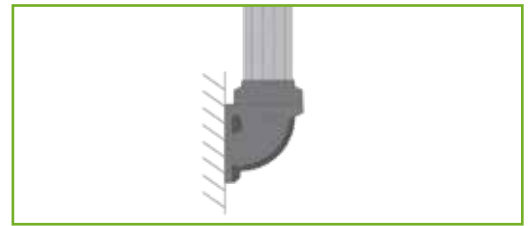
ROTATABLE WALL-MOUNTED HINGE. HORIZONTAL OUTLET ETR120370

Weight: gr. 6.600
 Colour: RAL 7035 / 5020
 Package: 1
 Package Size: 380 x 200 x 210 mm.
 Rotate: 315°



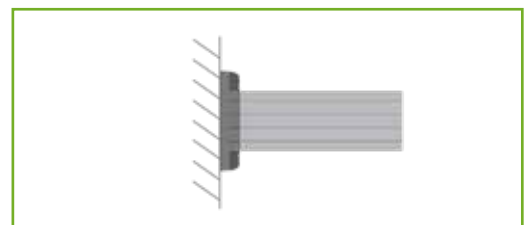
ROTATABLE WALL-MOUNTED HINGE. VERTICAL OUTLET

Weight: gr. 5.765
 Colour: RAL 7035 / 5020
 Package: 1
 Package Size: 280 x 200 x 205 mm.
 Rotate: 315°



WALL/SOCKET MOUNTING BRACKET ETR120390

Weight: gr. 816
 Colour: RAL 7035 / 5020
 Package: 1
 Package Size: 220 x 50 x 105 mm.
 Rotate: Fixed



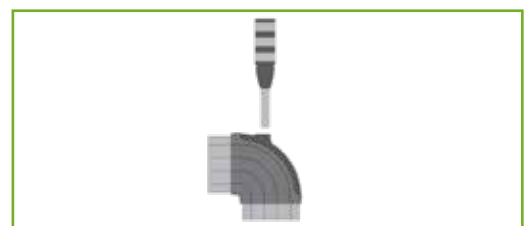
120/060 SUPPORT ARM REDUCER ETR120400

Weight: gr. 500
 Colour: RAL 7035
 Package: 1
 Package Size: 135 x 70 x 90 mm.
 Rotate: Fixed



WARNING LAMP COVER ETR120430

Weight: gr. 284
 Colour: RAL 5020
 Package: 1
 Package Size: 205 x 50 x 95 mm.
 Rotate: Fixed

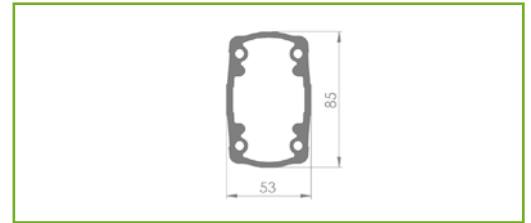


	CODE	COMPONENT	ROTATABLE	FIX	LENGTH (mm)	WEIGHT (gr)	COLOR NO. RAL NO.	PACK.
	ETR060025	60 Support Profile - 250 mm			250	950	7035	1
	ETR060050	60 Support Profile - 500 mm			500	1.900	7035	1
	ETR060075	60 Support Profile - 750 mm			750	2.820	7035	1
	ETR060100	60 Support Profile - 1000 mm			1000	3.770	7035	1
	ETR060125	60 Support Profile - 1250 mm			1250	4.720	7035	1
	ETR060150	60 Support Profile - 1500 mm			1500	5.670	7035	1
	ETR060175	60 Support Profile - 1750 mm			1750	6.620	7035	1
	ETR060200	60 Support Profile - 2000 mm			2000	7.570	7035	1
	ETR060310	Ø 130 mm 310° Rotatable Panel Coupling	●			1.260	7035	1
	ETR060320	Ø 130 mm 310° Rotatable 90° Panel Angle Coupling	●			1.770	7035 5020	1
	ETR060330	90° Angle Piece		●		640	7035 5020	1
	ETR060340	315° (± 150°) Rotatable Intermediate Hinge	●			2.060	7035 5020	1
	ETR060350	315° (± 150°) Rotatable Top Mounted 90° Angle Joint	●			2.200	7035 5020	1
	ETR060360	315° (± 150°) Rotatable Top Mounted Vertical Outlet	●			2.000	7035 5020	1
	ETR060370	315° (± 150°) Rotatable Wall-Mounted Hinge. Horizontal Outlet	●			2.530	7035 5020	1
	ETR060380	315° (± 150°) Rotatable Wall-Mounted Hinge. Vertical Outlet	●			2.285	7035 5020	1
	ETR060390	Wall/Socket Mounting Bracket		●		320	7035 5020	1
	ETR060400	350° Moveable Panel Adaptor □ 118 x 65.5 mm	●			720	7035	1
	ETR060410	+30° / -40° Tilting Panel Tilting Adaptor □ 125 x 70 mm		●		840	7035 7016	1
	ETR060430	Warning Lamp Cover		●		130	5020	1

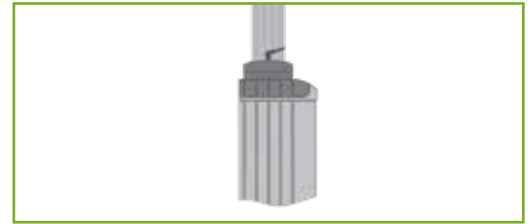
Suspension arm system

**SUPPORT ARM PROFILE ETR060025**

Length: 250 mm.
 Weight: gr. 950
 Colour: RAL 7035
 Package: 1
 Package Size: 90 x 55 x 255 mm.
 Support Arm Profile Length:
 250 - 500 - 750 - 1000 - 1250 - 1500 - 1750 - 2000 mm.

**ROTATABLE PANEL COUPLING ETR060310**

Weight: gr. 1.260
 Colour: RAL 7035
 Package: 1
 Package Size: 150 x 60 x 140 mm.
 Diameter: Ø 130 mm.
 Rotate: 310°

**ROTATABLE 90° PANEL ANGLE COUPLING ETR060320**

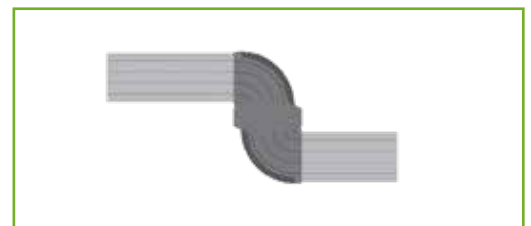
Weight: gr. 1.770
 Colour: RAL 7035 / 5020
 Package: 1
 Package Size: 145 x 150 x 140 mm.
 Diameter: Ø 130 mm.
 Rotate: 310°

**90° ANGLE PIECE ETR060330**

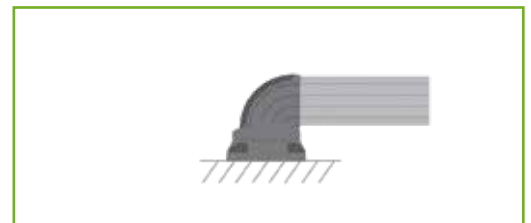
Weight: gr. 640
 Colour: RAL 7035 / 5020
 Package: 1
 Package Size: 165 x 75 x 125 mm.
 Rotate: Fixed

**ROTATABLE INTERMEDIATE HINGE ETR060340**

Weight: gr. 2.060
 Colour: RAL 7035 / 5020
 Package: 1
 Package Size: 245 x 130 x 125 mm.
 Rotate: 315°

**ROTATABLE TOP MOUNTED 90° ANGLE JOINT ETR060350**

Weight: gr. 2.200
 Colour: RAL 7035 / 5020
 Package: 1
 Package Size: 155 x 160 x 145 mm.
 Rotate: 315°

**ROTATABLE TOP MOUNTED VERTICAL OUTLET ETR060360**

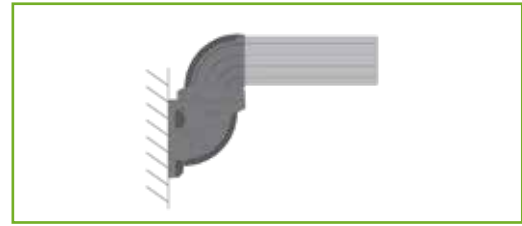
Weight: gr. 2.000
 Colour: RAL 7035 / 5020
 Package: 1
 Package Size: 155 x 85 x 140 mm.
 Rotate: 315°





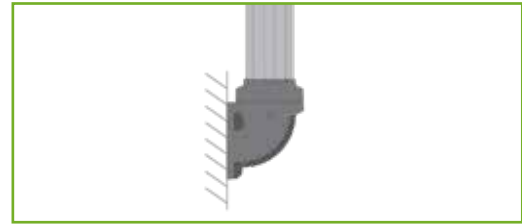
ROTATABLE WALL-MOUNTED HINGE. HORIZONTAL OUTLET ETR060370

Weight: gr. 2.530
 Colour: RAL 7035 / 5020
 Package: 1
 Package Size: 275 x 140 x 145 mm.
 Rotate: 315°



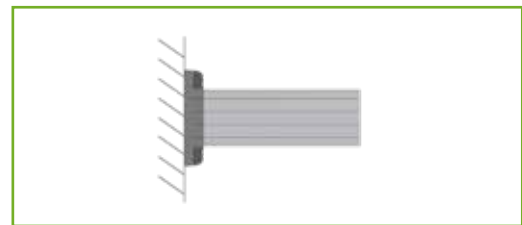
ROTATABLE WALL-MOUNTED HINGE. VERTICAL OUTLET ETR060380

Weight: gr. 2.285
 Colour: RAL 7035 / 5020
 Package: 1
 Package Size: 200 x 140 x 145 mm.
 Rotate: 315°



WALL/SOCKET MOUNTING BRACKET ETR060390

Weight: gr. 130
 Colour: RAL 7035 / 5020
 Package: 1
 Package Size: 160 x 35 x 80 mm.
 Rotate: Fixed



MOVEABLE PANEL ADAPTOR ETR060400

Weight: gr. 720
 Colour: RAL 7035
 Package: 1
 Package Size: 135 x 65 x 110 mm.
 Rotate: 350°



PANEL TILTING ADAPTOR ETR060410

Weight: gr. 840
 Colour: RAL 7035 / 7016
 Package: 1
 Package Size: 155 x 85 x 110 mm.
 Rotate: +30° / -40°



WARNING LAMP COVER ETR060430

Weight: gr. 130
 Colour: RAL 5020
 Package: 1
 Package Size: 130 x 65 x 110 mm.
 Rotate: Fixed

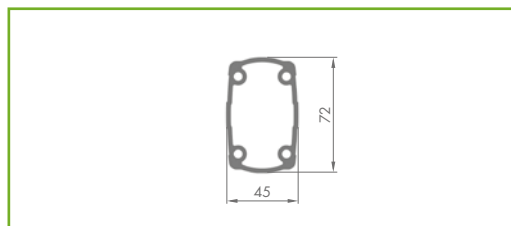


	CODE	COMPONENT	ROTATABLE	FIX	LENGTH (mm)	WEIGHT (gr)	COLOR NO. RAL NO.	PACK.
	ETR045025	45 Support Profile - 250 mm			250	550	7035	1
	ETR045050	45 Support Profile - 500 mm			500	1.100	7035	1
	ETR045075	45 Support Profile - 750 mm			750	1.650	7035	1
	ETR045100	45 Support Profile - 1000 mm			1000	2.200	7035	1
	ETR045125	45 Support Profile - 1250 mm			1250	2.750	7035	1
	ETR045150	45 Support Profile - 1500 mm			1500	3.300	7035	1
	ETR045175	45 Support Profile - 1750 mm			1750	3.850	7035	1
	ETR045200	45 Support Profile - 2000 mm			2000	4.400	7035	1
	ETR045310	Rotatable joint for housing	●			720	7035	1
	ETR045320	Rotatable angle joint 90° for housing	●			1.000	7035 5020	1
	ETR045330	90° Angle piece		●		365	7035 5020	1
	ETR045350	Rotatable intermediate hinge	●			1.725	7035 5020	1
	ETR045360	Rotatable top mounted 90° angle joint	●			1.700	7035 5020	1
	ETR045370	Rotatable top mounted vertical outlet	●			1.565	7035	1
	ETR045380	Rotatable wall-mounted hinge horizontal outlet	●			1.940	7035 5020	1
	ETR045390	Rotatable wall-mounted hinge vertical outlet	●			1.760	7035 5020	1
	ETR045400	Wall/socket mounting bracket		●		180	7035	1



SUPPORT ARM PROFILE ETR045025

Length: 250 mm.
Weight: gr. 550
Colour: RAL 7035
Package: 1
Package Size: 45 x 75 x 255 mm.
Support Arm Profile Length:
250 - 500 - 750 - 1000 - 1250 - 1500 - 1750 - 2000 mm.



ROTATABLE JOINT FOR HOUSING ETR045310

Weight: gr. 720
Colour: RAL 7035
Package: 1
Package Size: 130 x 65 x 110 mm.
Diameter: Ø 130 mm.
Rotate: 310°



ROTATABLE ANGLE JOINT 90° FOR HOUSING ETR045320

Weight: gr. 1.000
Colour: RAL 7035 / 5020
Package: 1
Package Size: 120 x 130 x 120 mm.
Diameter: Ø 130 mm.
Rotate: 90°



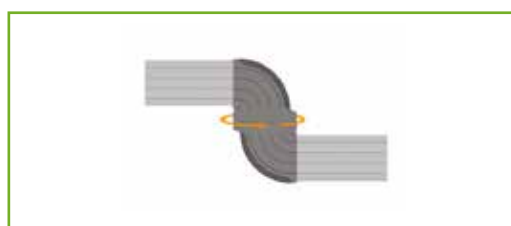
90° ANGLE PIECE ETR045330

Weight: gr. 365
Colour: RAL 7035 / 5020
Package: 1
Package Size: 95 x 95 x 60 mm.
Rotate: Fixed



ROTATABLE INTERMEDIATE HINGE ETR045350

Weight: gr. 1.725
Colour: RAL 7035 / 5020
Package: 1
Package Size: 120 x 220 x 120 mm.
Diameter: Ø 130 mm.
Rotate: 310°



ROTATABLE TOP MOUNTED 90° ANGLE JOINT ETR045360

Weight: gr. 1.700
Colour: RAL 7035 / 5020
Package: 1
Package Size: 120 x 130 x 120 mm.
Diameter: Ø 130 mm.
Rotate: 310°



ROTATABLE TOP MOUNTED VERTICAL OUTLET ETR045370

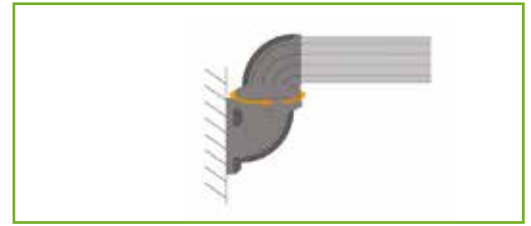
Weight: gr. 1.565
Colour: RAL 7035
Package: 1
Package Size: 150 x 140 x 85 mm.
Rotate: 310°





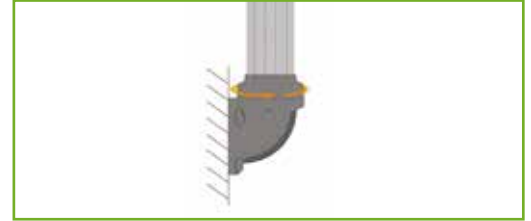
**ROTATABLE WALL-MOUNTED HINGE
HORIZONTAL OUTLET ETR045380**

Weight: gr. 1.940
 Colour: RAL 7035 / 5020
 Package: 1
 Package Size: 120 x 220 x 120 mm.
 Diameter: Ø 130 mm.
 Rotate: 310°



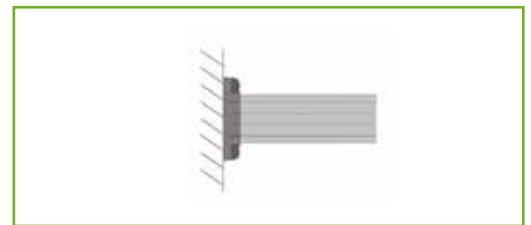
**ROTATABLE WALL-MOUNTED HINGE
VERTICAL OUTLET ETR045390**

Weight: gr. 1.760
 Colour: RAL 7035 / 5020
 Package: 1
 Package Size: 145 x 135 x 150 mm.
 Rotate: 310°



**WALL/SOCKET MOUNTING BRACKET
ETR045400**

Weight: gr. 180
 Colour: RAL 7035
 Package: 1
 Package Size: 60 x 120 x 25 mm.
 Rotate: Fixed





RANGE OF HOUSINGS

Control panels are essential for the operation and safety of manufacturing lines.

ETR suspension systems allow the operator to use the system safely; ETCR housings, designed according to a modular concept, are characterized by an ergonomic structure with an attractive design and offered in 3 depths 90, 150 and 180 (90+90) mm.

The housings, made of anodized aluminum with RAL 7035 corner joints and RAL 5020 corner covers, are equipped with blank or customized closing panels with customization for LCD screens, buttons, switches (according to the customer's specifications).

The internal depth of use of each operator panel considers the general requirements of the market and are compatible with the industrial PC monitors of the world's leading brands.

- Ergonomic and modular design
- Sturdy structure
- Expandable depth
- Protection Rating: IP65

HOUSING

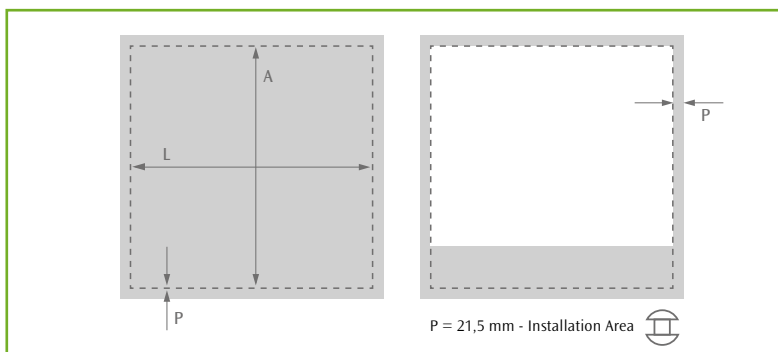
CODE	DIMENSIONS (mm)			REAR PANEL		DEPTH		SUSPENSION ARM SYSTEM
	WIDTH	HEIGHT	DEPTH	HINGED	SCREWED	PROFILE	DEPTH (mm)	
ETCR304009	300	400	90	YES	NO	YES	67	ETR045310 ETR045320 ETR060400 ETR060410
ETCR404009	400	400	90	YES	NO	YES	67	
ETCR504009	500	400	90	YES	NO	YES	67	
ETCR505009	500	500	90	YES	NO	YES	67	
ETCR506009	500	600	90	YES	NO	YES	67	
ETCR304015	300	400	150	YES	NO	YES	127	ETR060310 ETR060320 ETR060420 ETR120310 ETR120320 ETR120410
ETCR404015	400	400	150	YES	NO	YES	127	
ETCR504015	500	400	150	YES	NO	YES	127	
ETCR505015	500	500	150	YES	NO	YES	127	
ETCR506015	500	600	150	YES	NO	YES	127	
ETCR304018	300	400	180 (90+90)	YES	NO	YES	157	ETR045310 ETR045320 ETR060400 ETR060410
ETCR404018	400	400	180 (90+90)	YES	NO	YES	157	
ETCR504018	500	400	180 (90+90)	YES	NO	YES	157	
ETCR505018	500	500	180 (90+90)	YES	NO	YES	157	
ETCR506018	500	600	180 (90+90)	YES	NO	YES	157	

Cf. pag. 296 for the choice of the joint.

BLANK FRONTAL PANEL

CODE	DIMENSIONS (mm)	
	WIDTH	HEIGHT
ETCP3040	300	400
ETCP4040	400	400
ETCP5040	500	400
ETCP5050	500	500
ETCP5060	500	600


For punched panel, please select the blank panel part number and send related drawing.



Suspension arm system

		HOUSING		
		ETCR...009	ETCR...018	ETCR...015
				
ETR045310		●	●	
ETR045320		●	●	
ETR060310				●
ETR060320				●
ETR060400		●	●	
ETR060410		●	●	
ETR120310				●
ETR120320				●

Suspension arm system

 Cf. pag. 295 for the choice of the housing.



Sol. 1

The operator interface housing based on BEC is designed to meet the requirements of convenience combined with easy use. Two solutions are available:

- simple enclosure with handles fixed on the door (**Sol. 1**)
- simple enclosure with handles fixed on the enclosure structure without applied panel (**Sol. 2**).

CHARACTERISTICS

Enclosure and door manufactured from sheet steel. The upper part of the enclosure is provided with a hole to fix the pendant arm system.

SUPPLY

- Housing supplied with:
- enclosure and door complete with \varnothing 3 mm double bar locking system
 - two handles complete with mounting accessories
 - mounting screws.

PAINT FINISH

ETA standard finishing cycle: paint-based primer with deposition by cataphoresis with epoxy resin and finishing using thermosetting powders:

- Enclosure and door: colour RAL 7035 textured finish.



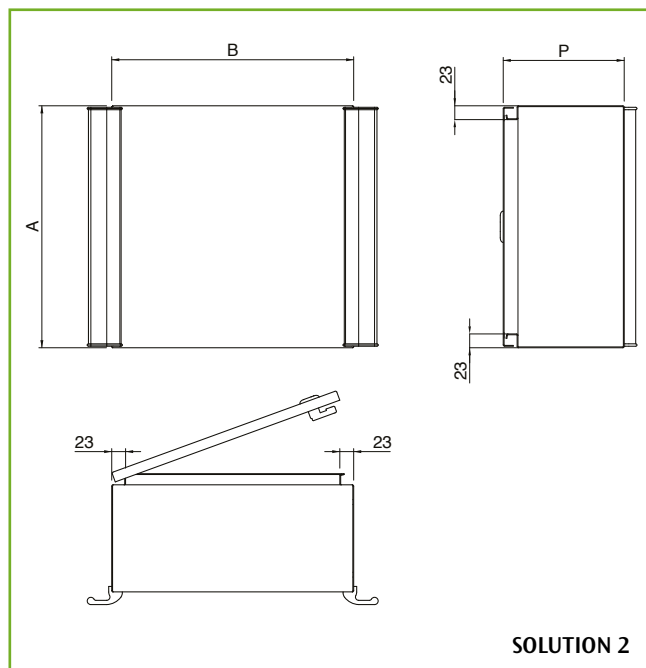
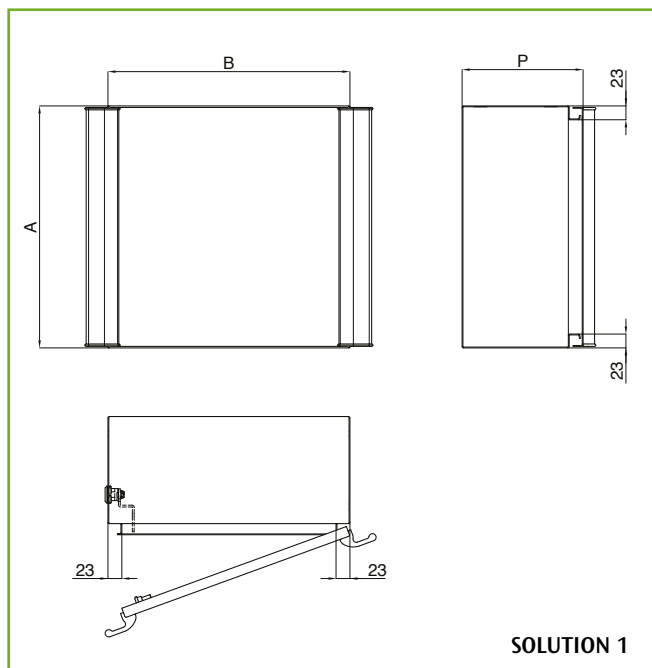
PROTECTION RATING

- IP55 complying with IEC EN62208; EN62262.
- NEMA 1 complying with UL508A; UL50.

Mounting plate available on request profile BECPROF200 (supply includes nr. 4 pieces) for BEC mounting plate to be ordered separately.



Sol. 2



Suspension arm system

BEC CONTAINERS WITH HOLES FOR COUPLINGS ETR

PRODUCT CODE	DIMENSIONS (MM)			HANDLES ON	FIXED CLOSING SYSTEM ON	DRILLING TEMPLATE	ETR COUPLING FOR FIXING ONTO BEC CONTAINER		
	B	A	P						
BEC3420B.TR1	300	400	200	ENCLOSURE	DOOR	TR1	ETR060310 ETR120310	ETR060320 ETR120320	ETR060420 ETR120410
BEC3420F.TR1	300	400	200	DOOR	ENCLOSURE	TR1	ETR060310 ETR120310	ETR060320 ETR120320	ETR060420 ETR120410
BEC4320B.TR1	400	300	200	ENCLOSURE	DOOR	TR1	ETR060310 ETR120310	ETR060320 ETR120320	ETR060420 ETR120410
BEC4320F.TR1	400	300	200	DOOR	ENCLOSURE	TR1	ETR060310 ETR120310	ETR060320 ETR120320	ETR060420 ETR120410
BEC4420B.TR1	400	400	200	ENCLOSURE	DOOR	TR1	ETR060310 ETR120310	ETR060320 ETR120320	ETR060420 ETR120410
BEC4420F.TR1	400	400	200	DOOR	ENCLOSURE	TR1	ETR060310 ETR120310	ETR060320 ETR120320	ETR060420 ETR120410
BEC5420B.TR1	500	400	200	ENCLOSURE	DOOR	TR1	ETR060310 ETR120310	ETR060320 ETR120320	ETR060420 ETR120410
BEC5420F.TR1	500	400	200	DOOR	ENCLOSURE	TR1	ETR060310 ETR120310	ETR060320 ETR120320	ETR060420 ETR120410
BEC5520B.TR1	500	500	200	ENCLOSURE	DOOR	TR1	ETR060310 ETR120310	ETR060320 ETR120320	ETR060420 ETR120410
BEC5520F.TR1	500	500	200	DOOR	ENCLOSURE	TR1	ETR060310 ETR120310	ETR060320 ETR120320	ETR060420 ETR120410
BEC6620B.TR1	600	600	200	ENCLOSURE	DOOR	TR1	ETR060310 ETR120310	ETR060320 ETR120320	ETR060420 ETR120410
BEC6620F.TR1	600	600	200	DOOR	ENCLOSURE	TR1	ETR060310 ETR120310	ETR060320 ETR120320	ETR060420 ETR120410
BEC3420B.TR2	300	400	200	ENCLOSURE	DOOR	TR2		ETR060400	ETR060410
BEC3420F.TR2	300	400	200	DOOR	ENCLOSURE	TR2		ETR060400	ETR060410
BEC4320B.TR2	400	300	200	ENCLOSURE	DOOR	TR2		ETR060400	ETR060410
BEC4320F.TR2	400	300	200	DOOR	ENCLOSURE	TR2		ETR060400	ETR060410
BEC4420B.TR2	400	400	200	ENCLOSURE	DOOR	TR2		ETR060400	ETR060410
BEC4420F.TR2	400	400	200	DOOR	ENCLOSURE	TR2		ETR060400	ETR060410
BEC5420B.TR2	500	400	200	ENCLOSURE	DOOR	TR2		ETR060400	ETR060410
BEC5420F.TR2	500	400	200	DOOR	ENCLOSURE	TR2		ETR060400	ETR060410
BEC5520B.TR2	500	500	200	ENCLOSURE	DOOR	TR2		ETR060400	ETR060410
BEC5520F.TR2	500	500	200	DOOR	ENCLOSURE	TR2		ETR060400	ETR060410
BEC6620B.TR2	600	600	200	ENCLOSURE	DOOR	TR2		ETR060400	ETR060410
BEC6620F.TR2	600	600	200	DOOR	ENCLOSURE	TR2		ETR060400	ETR060410

Suspension arm system

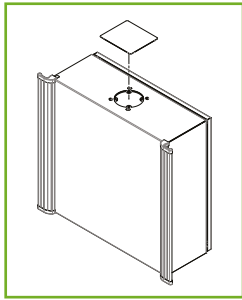
BEC CONTAINERS WITH HOLES FOR COUPLINGS ETR

PRODUCT CODE	DIMENSIONS (MM)			HANDLES ON	FIXED CLOSING SYSTEM ON	DRILLING TEMPLATE	ETR COUPLING FOR FIXING ONTO BEC CONTAINER
	B	A	P				
BEC3420B.TR3	300	400	200	ENCLOSURE	DOOR	TR3	ETR045310 ETR045320
BEC3420F.TR3	300	400	200	DOOR	ENCLOSURE	TR3	ETR045310 ETR045320
BEC4320B.TR3	400	300	200	ENCLOSURE	DOOR	TR3	ETR045310 ETR045320
BEC4320F.TR3	400	300	200	DOOR	ENCLOSURE	TR3	ETR045310 ETR045320
BEC4420B.TR3	400	400	200	ENCLOSURE	DOOR	TR3	ETR045310 ETR045320
BEC4420F.TR3	400	400	200	DOOR	ENCLOSURE	TR3	ETR045310 ETR045320
BEC5420B.TR3	500	400	200	ENCLOSURE	DOOR	TR3	ETR045310 ETR045320
BEC5420F.TR3	500	400	200	DOOR	ENCLOSURE	TR3	ETR045310 ETR045320
BEC5520B.TR3	500	500	200	ENCLOSURE	DOOR	TR3	ETR045310 ETR045320
BEC5520F.TR3	500	500	200	DOOR	ENCLOSURE	TR3	ETR045310 ETR045320
BEC6620B.TR3	600	600	200	ENCLOSURE	DOOR	TR3	ETR045310 ETR045320
BEC6620F.TR3	600	600	200	DOOR	ENCLOSURE	TR3	ETR045310 ETR045320

BEC CONTAINER WITH HOLES FOR BQPA COUPLINGS AND BEC BLANK CONTAINERS

BEC CONTAINERS WITH HOLES CODE FOR BQPA COUPLINGS	BEC BLANK CONTAINERS CODE	DIMENSIONS (MM)			HANDLES ON	FIXED CLOSING SYSTEM ON
		B	A	P		
BEC3420B	BEC3420B.C	300	400	200	ENCLOSURE	DOOR
BEC3420F	BEC3420F.C	300	400	200	DOOR	ENCLOSURE
BEC4320B	BEC4320B.C	400	300	200	ENCLOSURE	DOOR
BEC4320F	BEC4320F.C	400	300	200	DOOR	ENCLOSURE
BEC4420B	BEC4420B.C	400	400	200	ENCLOSURE	DOOR
BEC4420F	BEC4420F.C	400	400	200	DOOR	ENCLOSURE
BEC5420B	BEC5420B.C	500	400	200	ENCLOSURE	DOOR
BEC5420F	BEC5420F.C	500	400	200	DOOR	ENCLOSURE
BEC5520B	BEC5520B.C	500	500	200	ENCLOSURE	DOOR
BEC5520F	BEC5520F.C	500	500	200	DOOR	ENCLOSURE
BEC6620B	BEC6620B.C	600	600	200	ENCLOSURE	DOOR
BEC6620F	BEC6620F.C	600	600	200	DOOR	ENCLOSURE

Suspension arm system



BLANK PLATE

Manufactured from painted sheet steel. Designed to close the punching dedicated to BQPA or ETR pendant arm system on BEC housing.
Includes nr. 1 piece with mounting accessories.

BLANK PLATE	
PRODUCT CODE	COMPATIBLE WITH DRILL TEMPLATE
BQB00BQ	BQPA
BQB00TR1	TR1
BQB00TR3	TR2 - TR3

SPARE HANDLE BECMA

Including assembly accessories.

- BECMA300 for H=300
- BECMA400 for H=400
- BECMA500 for H=500
- BECMA600 for H=600

LOCKING SYSTEMS


E COR locking systems only compatible with container version 2; E COR inserts always compatible, even with closure on the casing.

Cf. pag. 179.



DOOR STOP ECWA0001

Allows the door to be mechanically stopped at 90°, 100° or 110° (complying to the machining on the housing), in order to prevent accidental closure.
Made from galvanised sheet steel.
Single piece complete with mounting accessories.

 Enclosure and door machining required: indicate when ordering if requested from the supplier.

MOUNTING PLATE BECPA

Made from sendzimir sheet steel. Order the plate regulation profile separately BECPROF200.

MOUNTING PLATE		
PRODUCT CODICE	HOUSING DIMENSIONS	
	WIDTH	HEIGHT
BECPA030040	300	400
BECPA040030	400	300
BECPA040040	400	400
BECPA050040	500	400
BECPA050050	500	500
BECPA060060	600	600



The elegant, innovative and functional design concepts of bioniq are available also in the pedestal system, a solution that allows to fix the operator panel and keyboard enclosure to the pedestal for both standard and light options. The fixing can be:

- direct (fig. B for the standard option and D for the light option)
- on the profile through a flange (fig. A for the standard option and C for the light option).

CHARACTERISTICS

The pedestal is manufactured from the following materials: base of sheet steel, base cover of thermoformed material, pedestal section of extruded aluminium.

PAINT FINISH

ETA standard finishing cycle: paint-based primer with deposition by cathoresis with epoxy resin and finishing using thermosetting powders. Color: silver RAL 9006.



- base cover of thermoformed material colour Pantone 2717U.
- pedestal flange BQFC and mouting flange BQF010: medium gray.

SUPPLY

For the composition of the pedestal system, see selection method for:

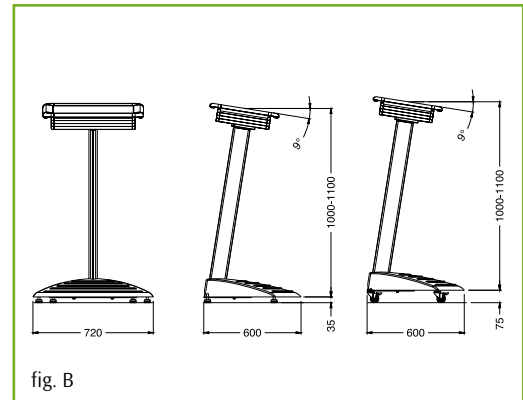
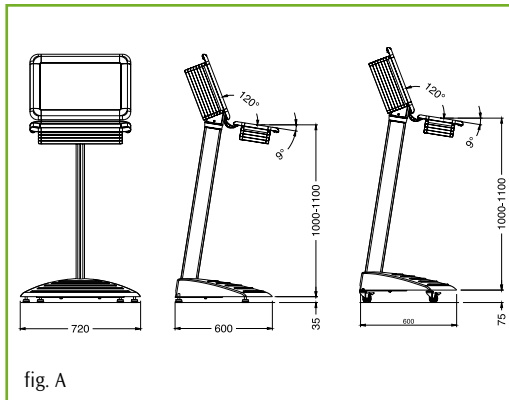
- operator panel enclosure (BQC or BQLC)
- optional keyboard enclosure (BQK or BQLK)
- pedestal base BQBA-001 (with feet) or BQBA-002 (with wheels) and pedestal section BQSU (see page 302).

For applications as the ones showed in pictures A and C, order separately the pedestal flange BQFC-002.

For application as the ones showed in pictures B and D, order separately the flange BQF010 and the adapter panel BQBP-002 or BQLBP-002 (see page 302).

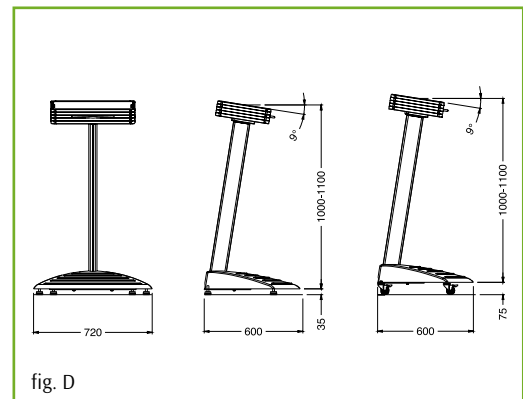
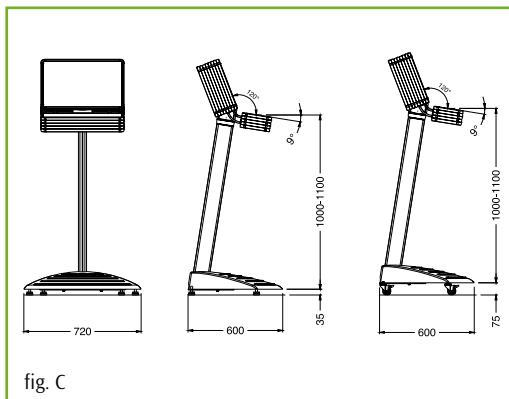
BIONIQ PEDESTAL SYSTEM

Dimensions of the height do not include castors or feet (for these components see the drawings on page 302).



BIONIQ LIGHT PEDESTAL SYSTEM

Dimensions of the height do not include castors or feet (for these components see the drawings on page 302).



Suspension arm system

DESK BASE BQBA

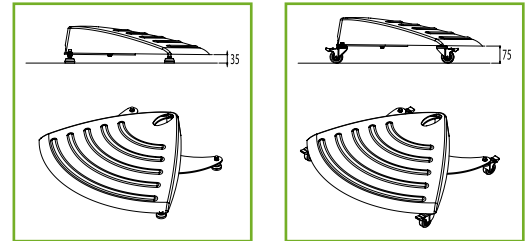
BQBA CODE	DESCRIPTION
BQBA-001	WITH FEET
BQBA-002	WITH CASTORS

PEDESTAL BASE BQBA

The base for bioniq on pedestal is available in two alternative versions:

- desk base complete with 3 levelling feet without front panel.
- desk base complete with 3 castors and front panel.

🔍 To replace 1 foot order 1 BQBL-001 (see page 279); to replace 1 wheel without block order 1 BQRU-001 (see page 279); to replace 1 wheel with block order 1 BQRU-002.



PEDESTAL SECTION BQSU

The bioniq pedestal section is available in two different heights.

🔍 Supports with different heights available upon request. For fixing as shown in Fig. A/C, complete the order with the desk flange BQFC (see page 284). Instead, for direct fixing as shown in Fig. B/D, order the adapter panel BQBP-002 and the corresponding flange BQF010 (see page 282).

PEDESTAL SECTION BQSU

BQSU CODE	HEIGHT FROM BASE TO KEYBOARD ENCLOSURE
BQSU-001	1000
BQSU-002	1100

REAR PANEL FOR SECTION FIXING BQBP-002/BQLBP-002

The rear panel, properly drilled, allows to fix the pedestal section directly to the enclosure (as shown in Fig. B/D).

🔍 For more information about the panel, please check on page 274 and 278.

Complete the order with the corresponding flange BQF010 (check on page 282).

REAR PANEL BQBP/BQLBP

BQBP/BQLBP CODE	DESCRIPTION
BQBP-002	DIRECT FIXING ON BIONIQ
BQLBP-002	DIRECT FIXING ON BIONIQ LIGHT

PEDESTAL FLANGE BQFC

Designed to guide cables from the support to the operator panel enclosure BQC, it is made from cast aluminium.

🔍 For product codes and further technical details, check on page 284.



fig. 1 - BQFC-001



fig. 2 - BQFC-002



THERMAL MANAGEMENT

The electronic components contained in cabinets require adequate measures against dust, pollutants and high temperatures.

Providing an adequate cabinet conditioning or air circulation allows to optimize costs and time, thus granting the optimal functioning of the equipment.

Ethermo is the ETA complete range of items for the thermal management of the cabinets:

- compact and ultra-thin conditioners (for wall applications, roof applications and joined cabinets)
- air conditioners for outdoor applications
- air-to-water and air-to-air heat exchangers
- climate control doors
- fans and filter grids “click and fit”
- ventilation hoods
- anti-condensation heaters, controllers and thermostats.

Thermal



AIR CONDITIONERS

- Designed to ensure the best working conditions for electrical and electronic equipment
- Suitable for applications requiring a Temperature set point below ambient Temperature
- Several Mounting configurations for all the applications
- Range from 300 to 10000 W (L35L35)
- Several Power Supply available (see product data sheet)
- High protection degree from cabinet side (IP54)
- Certifications CE (UL on most of the models)
- Maintenance Free
- Functioning up to +55°C
- Refrigerant Gas R134a



APPLICATION	TYPE	CODE
INDOOR	Wall-mounting	WICD
	For joined cabinets	WICE
	Extra-slim	WIDS
	Roof-mounting	WICT
OUTDOOR	Wall-mounting	WICA

HEAT EXCHANGERS

- For proper working favourable conditions are needed (roughly 10°C)
- Range from 16 to 160 W/K air-air; from 870 to 25000 W air/water
- Several Power Supply available
- High Protection degree cabinet side (IP55)
- CE and UL certification
- Wall mounting (internal or external)
- Maintenance free








INDOOR	Air-to-Air	WISC
	Air-to-Water	WISW

VENTILATION

The ventilation systems are an easy and economical solution for the Temperature management of the electronic enclosures. These system are the perfect solution when is possible to use the external air (if not too dirty) for the cooling, the heat load is not too high and the enclosure can work with a ΔT of 10-15°C.

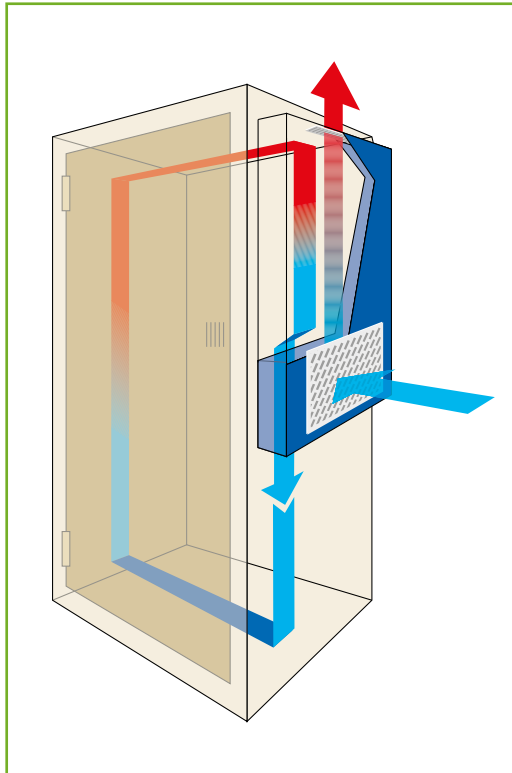


INDOOR	Fans and filtering	WTSV
	EMC fans and filtering	WIEM
	Roof mounting fans	WA
	Exhaust fans	WT
	Heaters, regulators, thermostats	WI

<p>AIR FILTER</p>	
<p>BAFFLE</p>	
<p>SEMI OR TOTALLY RECESSED MOUNTING FRAME</p>	
<p>IP55 GASKET</p>	
<p>SPECIAL COLOUR</p>	
<p>STAINLESS STEEL VERSION IN AISI304 OR AISI316</p>	



* Check the templates for further details



TECHNICAL FEATURES

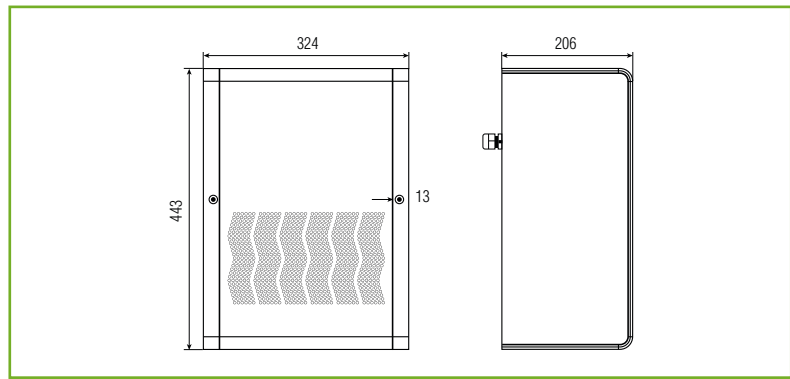
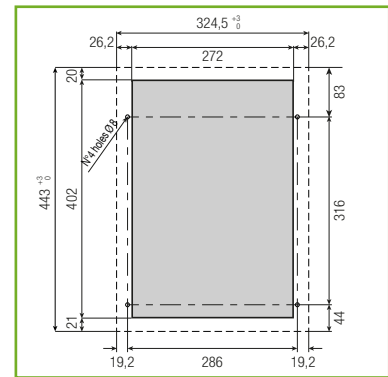
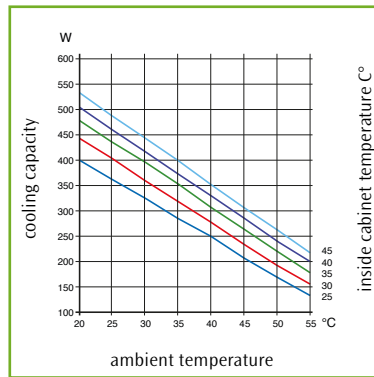
- Air conditioners for wall and door mounting
- Cooling capacity: 360-5600W
- Digital thermostat XCB
- Condensate dissipating device from WICD11...
- µchannel condenser (from WICD11...)
- General Alarm contacts and remote control standard (except WICD38...)

WALL MOUNTED AIR CONDITIONERS

WICD CODE	COOLING CAPACITY L35L35 DIN3168	POWER SUPPLY V-ph-Hz	EXTERNAL DIMENSIONS			CERTIFICATIONS
			WIDTH	HEIGHT	DEPTH	
WICDU3811CW	380W	115-1-60	324	443	206	cULus listed
WICDU5811CW	580W	115-1-60	313	642	223	cULus listed
WICDU5823CW*	580W	230-1-50/60	313	642	223	cULus listed
WICDU9011CW	900W	115-1-60	313	642	223	cULus listed
WICDU9023CW	900W	230-1-50/60	313	642	223	cULus listed
WICDU1611CW	1600W	115-1-60	410	912	248	cULus listed
WICDU1623CW	1600W	230-1-50/60	410	912	248	cULus listed
WICDU2211CW	2200W	115-1-60	409	1005	263	cULus listed
WICDU2223CW	2200W	230-1-50/60	409	1005	263	cULus listed
WICDU3123CW	3150W	230-1-50/60	511	1217	347	cULus listed
WICDU4123CW	4100W	230-1-50/60	511	1217	347	cULus listed
WICD3823CW	360-380W	230-1-50/60	324	443	206	-
WICD5823CW	550-580W	230-1-50/60	313	642	223	-
WICD9023CW*	850-900W	230-1-50/60	313	642	223	-
WICD1123CW*	1100-1150W	230-1-50/60	410	912	248	-
WICD1140CW	1050-1100W	400-2-50/60	410	912	248	-
WICD1623CW*	1500-1600W	230-1-50/60	410	912	248	-
WICD1540CW*	1400-1500W	400-2-50/460-2-60	410	912	248	-
WICD2223CW*	2100-2200W	230-1-50/60	409	1005	263	-
WICD2140CW	2000-2100W	400-3-50/460-3-60	409	1005	263	-
WICD3123CW	3000-3150W	230-1-50/60	511	1217	347	-
WICD3040CW	2850-3000W	400-3-50/460-3-60	511	1217	347	-
WICD4123CW	4000-4100W	230-1-50/60	511	1217	347	-
WICD4040CW	3950-4050W	400-3-50/460-3-60	511	1217	347	-

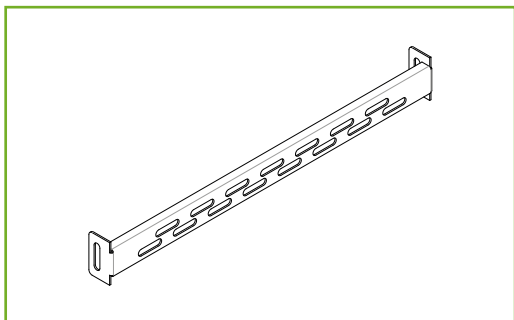
* Item available on stock

Thermal



AIR CONDITIONERS WICD 380W FOR WALL AND DOOR MOUNTING

		WICD3823CW	WICDU3811CW
VOLTAGE/PHASE/FREQUENCY	V-ph-Hz	230-1-50/60	115-1-60
COOLING CAPACITY L35L35 - EN14511-2	W	360 - 380	380
COOLING CAPACITY L35L50 - EN14511-2	W	220 - 240	240
WIDTH/HEIGHT/DEPTH	mm	324x443x206	324x443x206
MAX. RUNNING CURRENT	A	1,3 / 1,4	2,9
STARTING CURRENT	A	9,8	18
PRE-FUSE T	A	4	15
POWER CONSUMPTION L35L50 - DIN 3168 W	W	190 - 220	220
SIDE CABINET FAN FLOW, FREE BLOWING	m ³ /h	164 - 195	195
REGULATION TEMPERATURE LIMITS	°C	+25 / +45	+25 / +45
SIDE AMBIENT TEMPERATURE LIMITS	°C	+20 / +55	+20 / +55
PROTECTION RATING (CABINET SIDE)	IP/Type	54 / -	- / 12
NOISE LEVEL	dB(A)	52	52
WEIGHT	kg	17	17
CERTIFICATIONS		-	cULus listed



REINFORCEMENT CROSSPIECE FOR CONDITIONERS FIXATION EUTC

CHARACTERISTICS

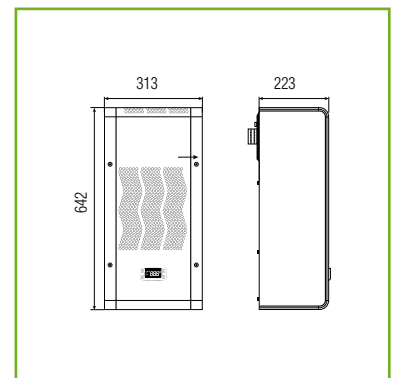
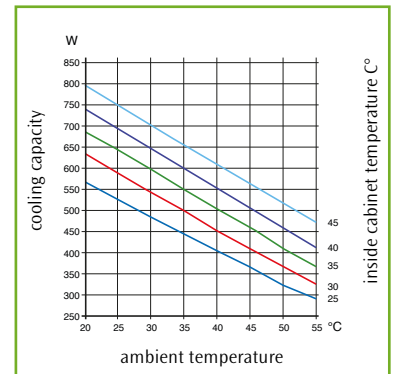
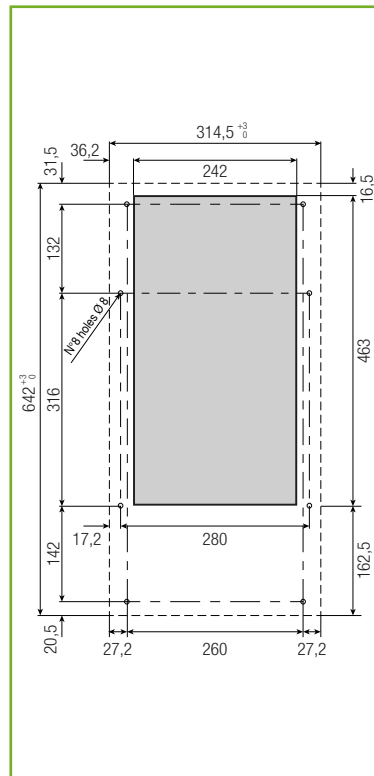
Manufactured from sendzimir sheet steel, with slots to allow the fixing of Ethermo air conditioners on E NUX side panels.

SUPPLY

Includes 2 pieces with mounting accessories.

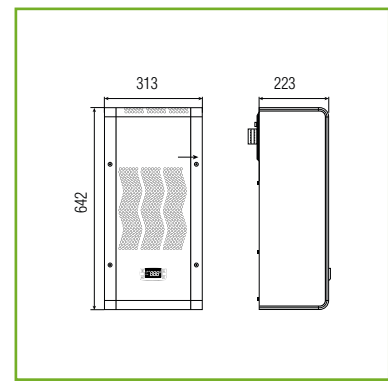
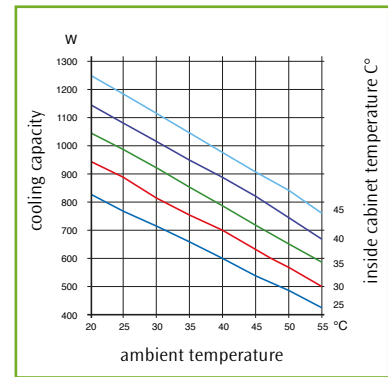
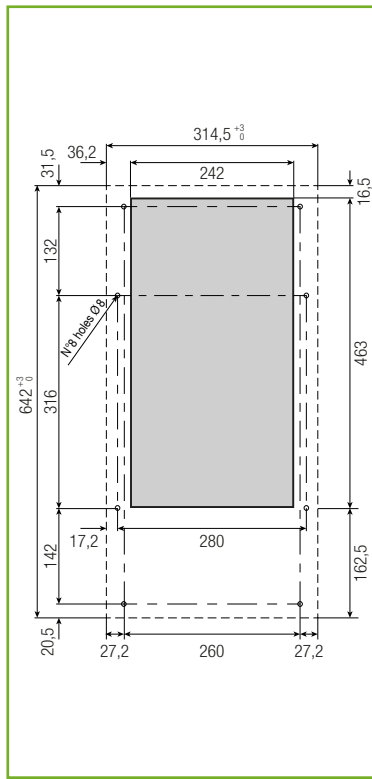
REINFORCEMENT CROSSPIECE EUTC

EUTC CODE	CABINET DEPTH
EUTC-000500	500
EUTC-000600	600
EUTC-000800	800
EUTC-001000	1000



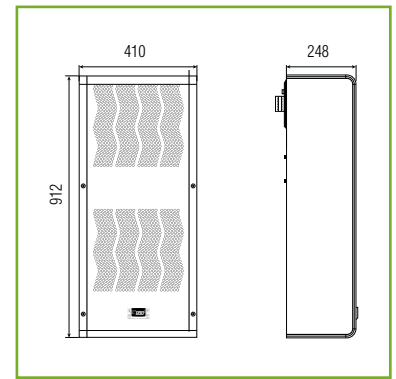
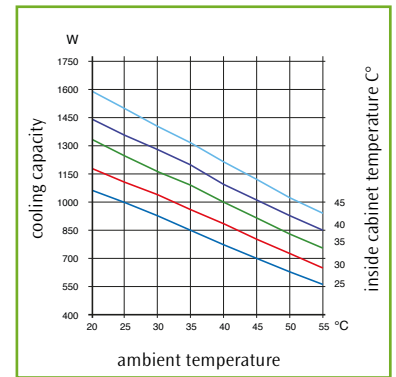
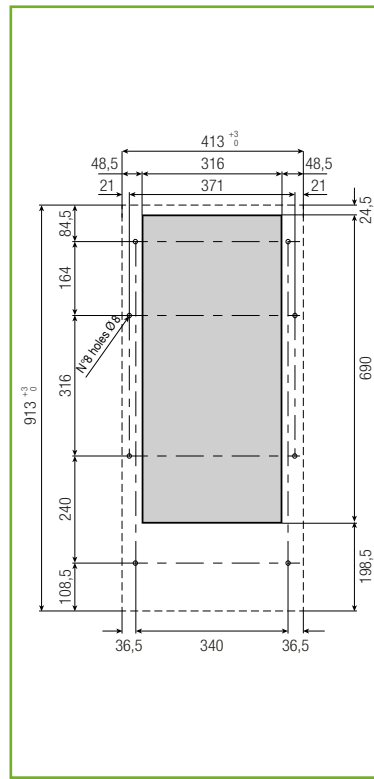
AIR CONDITIONERS WICD 500 W FOR WALL AND DOOR MOUNTING

		WICD5823CW	WICDU5811CW	WICDU5823CW
VOLTAGE/PHASE/FREQUENCY	V-ph-Hz	230-1-50/60	115-1-60	230-1-50/60
COOLING CAPACITY L35L35 - EN14511-2	W	550 - 580	580	580
COOLING CAPACITY L35L50 - EN14511-2	W	413 - 430	430	430
WIDTH/HEIGHT/DEPTH	mm	313x642x223	313x642x223	313x642x223
MAX. RUNNING CURRENT	A	1,4 / 1,6	4,7	2,1
STARTING CURRENT	A	7,5	17	7,5
PRE-FUSE T	A	4	15	15
POWER CONSUMPTION L35L50 - DIN 3168 W	W	320 - 390	390	390
SIDE CABINET FAN FLOW, FREE BLOWING	m ³ /h	164 - 195	195	195
REGULATION TEMPERATURE LIMITS	°C	+25 / +45	+25 / +45	+25 / +45
SIDE AMBIENT TEMPERATURE LIMITS	°C	+20 / +55	+20 / +55	+20 / +55
PROTECTION RATING (CABINET SIDE)	IP/Type	54 / -	- / 12	- / 12
NOISE LEVEL	dB(A)	60	60	60
WEIGHT	kg	23	23	23
CERTIFICATIONS		-	cULus listed	cULus listed



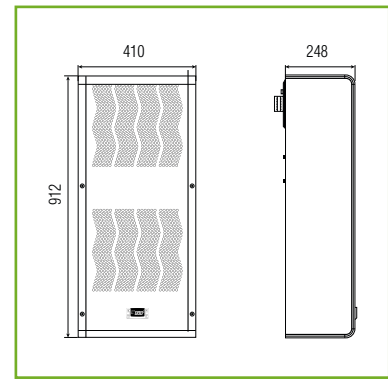
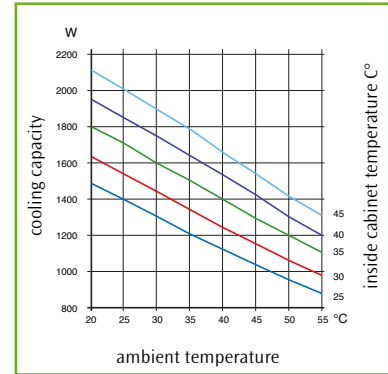
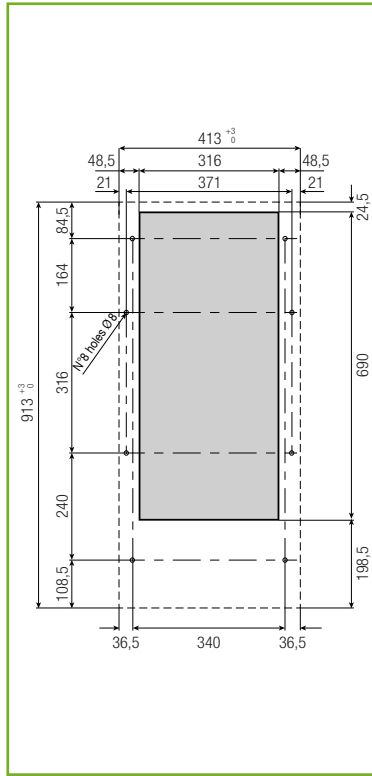
AIR CONDITIONERS WICD 800 W FOR WALL AND DOOR MOUNTING

		WICD9023CW	WICDU9011CW	WICDU9023CW
VOLTAGE/PHASE/FREQUENCY	V-ph-Hz	230-1-50/60	115-1-60	230-1-50/60
COOLING CAPACITY L35L35 - EN14511-2	W	850 - 900	900	900
COOLING CAPACITY L35L50 - EN14511-2	W	620 - 700	700	700
WIDTH/HEIGHT/DEPTH	mm	313x642x223	313x642x223	313x642x223
MAX. RUNNING CURRENT	A	2,6 / 2,7	7,2	3,9
STARTING CURRENT	A	20	28	20
PRE-FUSE T	A	6	15	15
POWER CONSUMPTION L35L50 - DIN 3168 W	W	420 - 600	600	600
SIDE CABINET FAN FLOW, FREE BLOWING	m3/h	340 - 356	390	390
REGULATION TEMPERATURE LIMITS	°C	+25 / +45	+25 / +45	+25 / +45
SIDE AMBIENT TEMPERATURE LIMITS	°C	+20 / +55	+20 / +55	+20 / +55
PROTECTION RATING (CABINET SIDE)	IP/Type	54 / -	- / 12	- / 12
NOISE LEVEL	dB(A)	64	64	64
WEIGHT	kg	27	27	27
CERTIFICATIONS		-	cULus listed	cULus listed



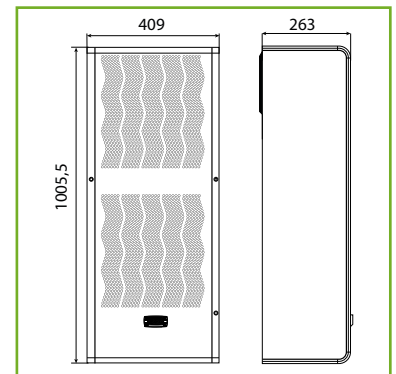
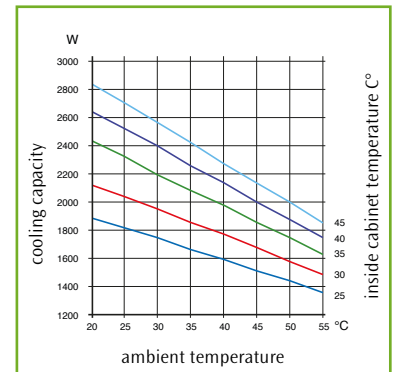
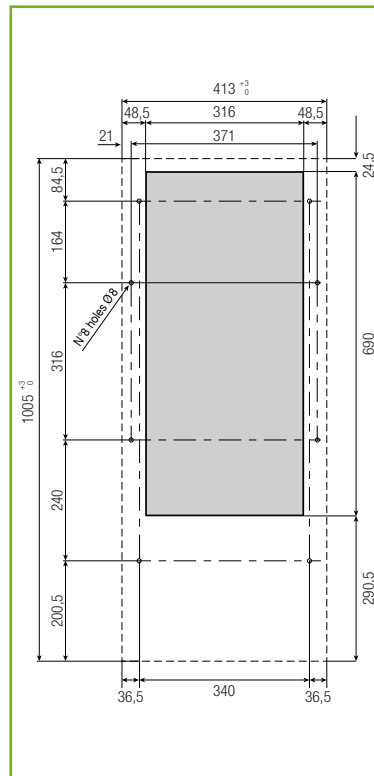
AIR CONDITIONERS WICD 1100 W FOR WALL AND DOOR MOUNTING

		WICD1123CW	WICD1140CW
VOLTAGE/PHASE/FREQUENCY	V-ph-Hz	230-1-50/60	400-2-50 460-2-60
COOLING CAPACITY L35L35 - EN14511-2	W	1100 - 1150	1050 - 1100
COOLING CAPACITY L35L50 - EN14511-2	W	840 - 890	790 - 840
WIDTH/HEIGHT/DEPTH	mm	410x912x248	410x912x248
MAX. RUNNING CURRENT	A	2,5 - 3	1,3 - 1,4
STARTING CURRENT	A	20	40
PRE-FUSE T	A	6	4
POWER CONSUMPTION L35L50 - DIN 3168 W	W	510 - 650	510 - 650
SIDE CABINET FAN FLOW, FREE BLOWING	m ³ /h	540 - 580	540 - 580
REGULATION TEMPERATURE LIMITS	°C	+25 / +45	+25 / +45
SIDE AMBIENT TEMPERATURE LIMITS	°C	+20 / +55	+20 / +55
PROTECTION RATING (CABINET SIDE)	IP/Type	54 / -	54 / -
NOISE LEVEL	dB(A)	65	65
WEIGHT	kg	44	50



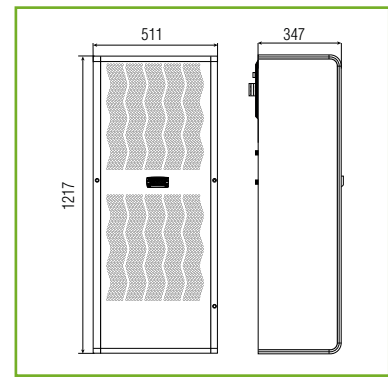
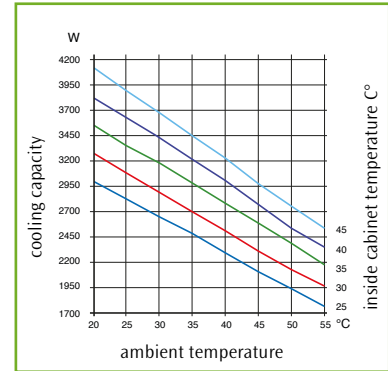
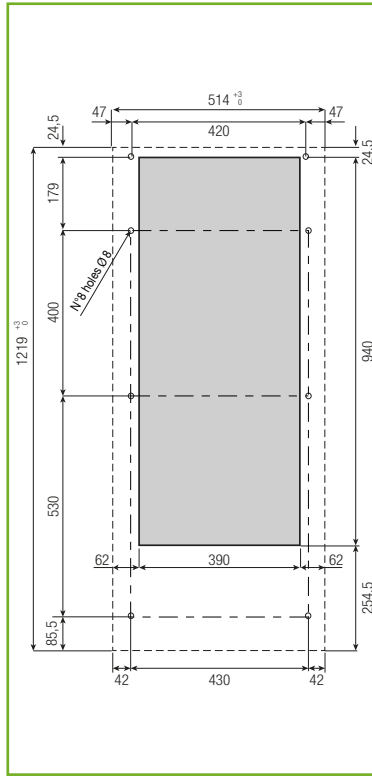
AIR CONDITIONERS WICD 1500 W FOR WALL AND DOOR MOUNTING

		WICD1623CW	WICD1540CW	WICDU1611CW	WICDU1623CW
VOLTAGE/PHASE/FREQUENCY	V-ph-Hz	230-1-50/60	400-2-50 / 460-2-60	115-1-60	230-1-50/60
COOLING CAPACITY L35L35 - EN14511-2	W	1500 - 1600	1400 - 1500	1600	1600
COOLING CAPACITY L35L50 - EN14511-2	W	1200 - 1280	1150 - 1200	1280	1280
WIDTH/HEIGHT/DEPTH	mm	410x912x248	410x912x248	410x912x248	410x912x248
MAX. RUNNING CURRENT	A	3,9 / 4,3	2,5 / 2,6	9,4	4,5
STARTING CURRENT	A	28	110	50	28
PRE-FUSE T	A	8	6	15	15
POWER CONSUMPTION L35L50 - DIN 3168 W	W	750 - 825	750 - 825	825	825
SIDE CABINET FAN FLOW, FREE BLOWING	m3/h	540 - 580	540 - 580	580	580
REGULATION TEMPERATURE LIMITS	°C	+25 / +45	+25 / +45	+25 / +45	+25 / +45
SIDE AMBIENT TEMPERATURE LIMITS	°C	+20 / +55	+20 / +55	+20 / +55	+20 / +55
PROTECTION RATING (CABINET SIDE)	IP/Type	54 / -	54 / -	- / 12	- / 12
NOISE LEVEL	dB(A)	65	65	65	65
WEIGHT	kg	46	53	46	46
CERTIFICATIONS		-	-	cULus listed	cULus listed



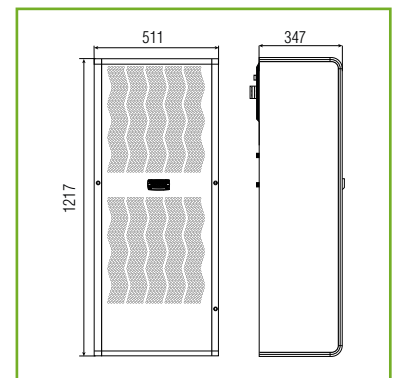
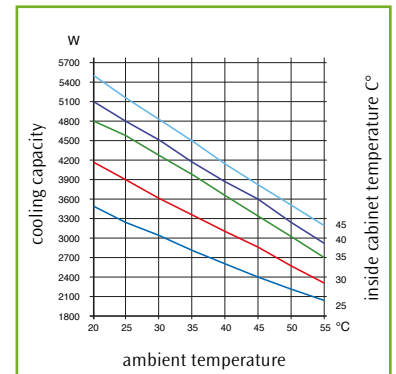
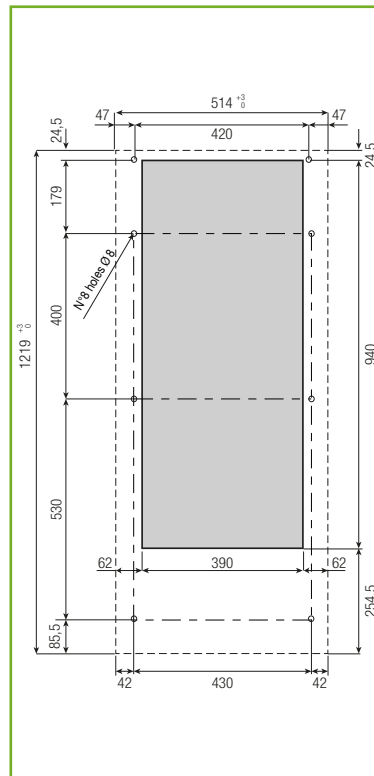
AIR CONDITIONERS WICD 2000 W FOR WALL AND DOOR MOUNTING

		WICD2223CW	WICD2140CW	WICDU2211CW	WICDU2223CW
VOLTAGE/PHASE/FREQUENCY	V-ph-Hz	230-1-50/60	400-3-50 / 460-3-60	115-1-60	230-1-50/60
COOLING CAPACITY L35L35 - EN14511-2	W	2100 - 2200	2000 - 2100	2200	2200
COOLING CAPACITY L35L50 - EN14511-2	W	1750 - 1850	1700 - 1800	1850	1850
WIDTH/HEIGHT/DEPTH	mm	409x1005x263	409x1005x263	409x1005x263	409x1005x263
MAX. RUNNING CURRENT	A	4,8 / 5,5	2,5 / 2,7	13,64	6,3
STARTING CURRENT	A	34	22	60	34
PRE-FUSE T	A	10	6	25	15
POWER CONSUMPTION L35L50 - DIN 3168 W	W	1120 - 1240	1100 - 1200	1240	1240
SIDE CABINET FAN FLOW, FREE BLOWING	m ³ /h	540 - 580	890 - 930	930	580
REGULATION TEMPERATURE LIMITS	°C	+25 / +45	+25 / +45	+25 / +45	+25 / +45
SIDE AMBIENT TEMPERATURE LIMITS	°C	+20 / +55	+20 / +55	+20 / +55	+20 / +55
PROTECTION RATING (CABINET SIDE)	IP/Type	54 / -	54 / -	- / 12	- / 12
NOISE LEVEL	dB(A)	66	66	66	66
WEIGHT	kg	48	48	48	48
CERTIFICATIONS		-	-	cULus listed	cULus listed



AIR CONDITIONERS WICD 3000 W FOR WALL AND DOOR MOUNTING

		WICD3123CW	WICD3040CW	WICDU3123CW
VOLTAGE/PHASE/FREQUENCY	V-ph-Hz	230-1-50/60	400-3-50 460-3-60	230-1-50/60
COOLING CAPACITY L35L35 - EN14511-2	W	3000 - 3150	2850 - 3000	3150
COOLING CAPACITY L35L50 - EN14511-2	W	2400 - 2600	2300 - 2500	2600
WIDTH/HEIGHT/DEPTH	mm	511x1217x347	511x1217x347	511x1217x347
MAX. RUNNING CURRENT	A	5 / 5,5	2,7 / 3	8
STARTING CURRENT	A	35	19	35
PRE-FUSE T	A	8	6	15
POWER CONSUMPTION L35L50 - DIN 3168 W	W	1370 - 1510	1370 - 1510	1510
SIDE CABINET FAN FLOW, FREE BLOWING	m3/h	890 - 930	890 - 930	930
REGULATION TEMPERATURE LIMITS	°C	+25 / +45	+25 / +45	+25 / +45
SIDE AMBIENT TEMPERATURE LIMITS	°C	+20 / +55	+20 / +55	+20 / +55
PROTECTION RATING (CABINET SIDE)	IP/Type	54 / -	54 / -	- / 12
NOISE LEVEL	dB(A)	67	67	67
WEIGHT	kg	75	80	75
CERTIFICATIONS		-	-	cULus listed



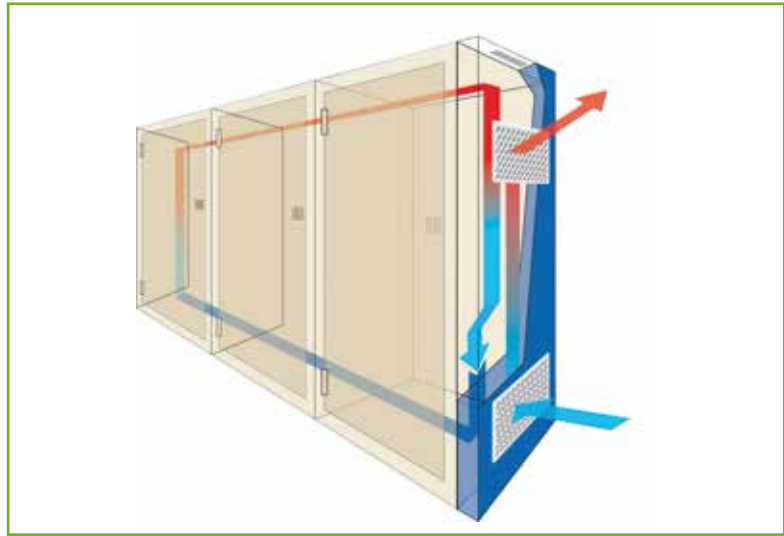
AIR CONDITIONERS WICD 4000 W FOR WALL AND DOOR MOUNTING

		WICD4123CW	WICD4040CW	WICDU4123CW
VOLTAGE/PHASE/FREQUENCY	V-ph-Hz	230-1-50/60	400-3-50 460-3-60	230-1-50/60
COOLING CAPACITY L35L35 - EN14511-2	W	4000 - 4100	3950 - 4050	4100
COOLING CAPACITY L35L50 - EN14511-2	W	3000 - 3300	2960 - 3260	3300
WIDTH/HEIGHT/DEPTH	mm	511x1217x347	511x1217x347	511x1217x347
MAX. RUNNING CURRENT	A	8,2 / 9,4	2,9 / 4	6,3
STARTING CURRENT	A	42	25	35
PRE-FUSE T	A	16	8	15
POWER CONSUMPTION L35L50 - DIN 3168 W	W	1730 - 1950	1730 - 1950	1950
SIDE CABINET FAN FLOW, FREE BLOWING	m3/h	1180 - 1300	1180 - 1300	1300
REGULATION TEMPERATURE LIMITS	°C	+25 / +45	+25 / +45	+25 / +45
SIDE AMBIENT TEMPERATURE LIMITS	°C	+20 / +55	+20 / +55	+20 / +55
PROTECTION RATING (CABINET SIDE)	IP/Type	54 / -	54 / -	- / 12
NOISE LEVEL	dB(A)	67	67	67
WEIGHT	kg	80	85	80
CERTIFICATIONS		-	-	cULus listed



TECHNICAL FEATURES

- Air conditioners for suite cabinets
- Available in two sizes (600 or 800mm width)
- Cooling capacity from 5800W to 10000W
- Digital thermostat ECB.

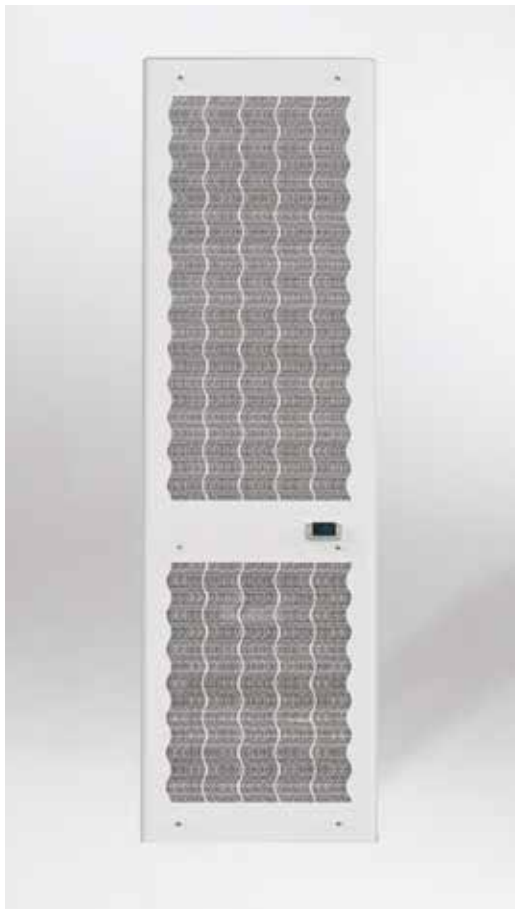


AIR CONDITIONERS FOR SUITE CABINETS

WICE CODE	COOLING CAPACITY L35L35 DIN3168	POWER SUPPLY V-ph-Hz	DIMENSIONS		
			WIDTH	HEIGHT	DEPTH
WICE5840CW	5800 W	400-3-50 / 460-3-60	600	2000	384
WICE8040CW	8000 W	400-3-50 / 460-3-60	800	2000	384
WICE10040CW	10000 W	400-3-50 / 460-3-60	800	2000	384



* Available for some models on request with dedicated code



GENERAL FEATURES

- High efficiency
- Cooling capacity 500 - 4000 W
- XCB electronic board + display
- External, semi-flush or flush mounting (optional)
- Quick electrical connections
- Sequencing and Modbus connections
- µchannel condenser (from WIDS-14...)
- Condensate evaporator device (from WIDS-14...)
- General alarm and remote enable contacts
- Gasket already installed on the air conditioner
- Functioning up to +60°C external temperature

OPTIONAL


- Special colour
- Stainless steel AISI304 or AISI316
- Low noise version
- Phase sequence relay
- Condenser coil protective treatment
- Remote probe

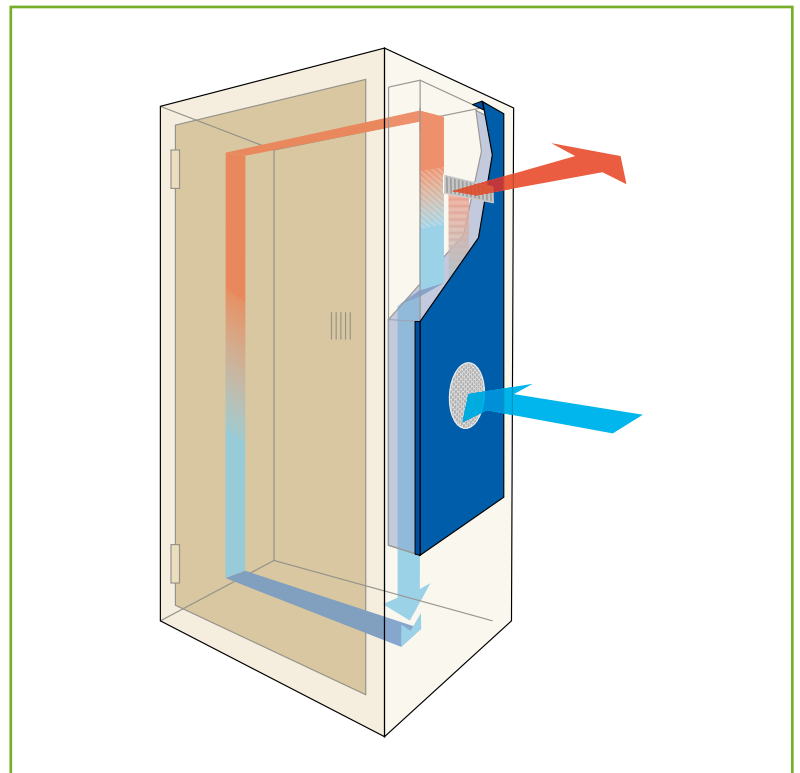
ACCESSORIES

- Semi-flush mounting frame
- External mounting frame
- Air filter
- Sequencing cable

OPTIONS FOR ACCESSORIES

- Special colour
- Stainless steel AISI304
- Stainless steel AISI316

 Range of air conditioners designed for installations that require limited space and reduced protrusions from the panel, featured by a simple and quick assembly.

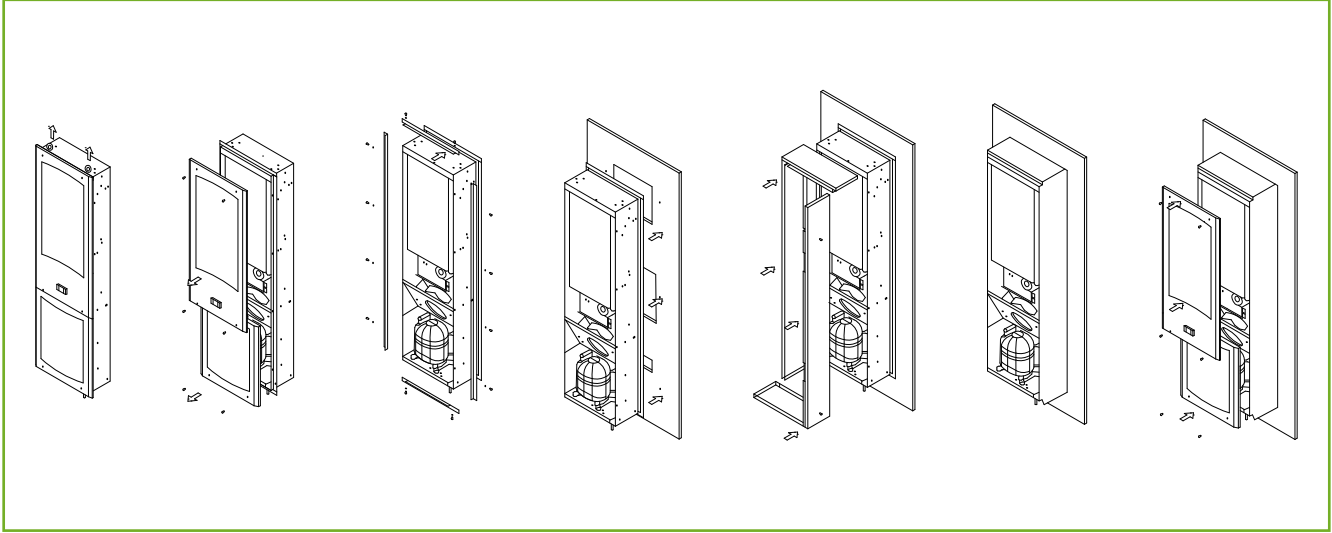


EXTRA-SLIM AIR CONDITIONERS FOR DOOR MOUNTING

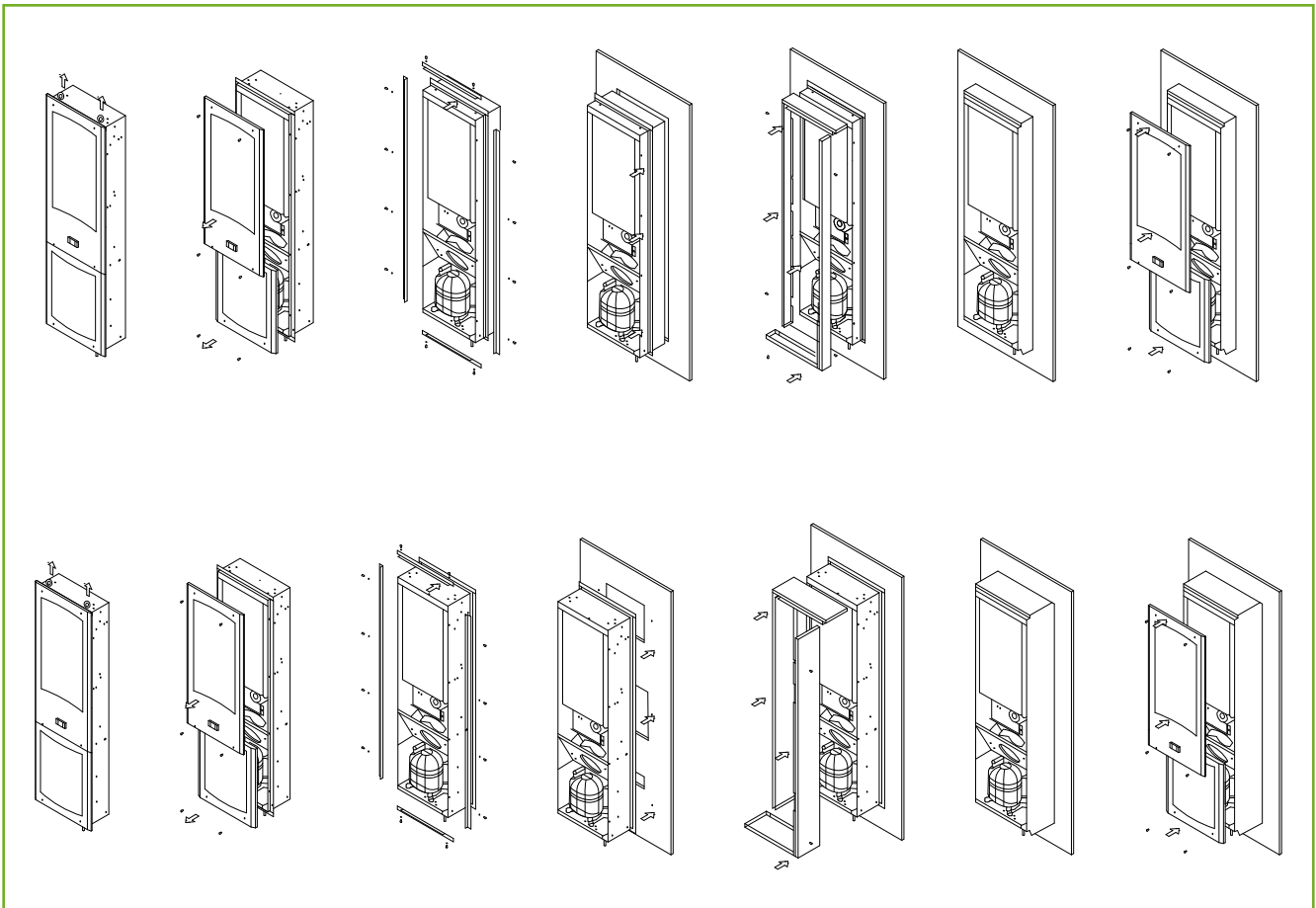
WIDS CODE	COOLING CAPACITY L35L35 DIN3168	POWER SUPPLY V-ph-Hz	DIMENSIONS		
			WIDTH	HEIGHT	DEPTH
WIDS-1023CW	1000 - 1050 W	230 - 1 - 50/60	375	956	196
WIDS-1423CW	1400 - 1500 W	230 - 1 - 50/60	454	1666	181
WIDS-2040CW	2100 - 2200 W	400 - 3 - 50 / 460 - 3 - 60	454	1666	181
WIDS-3040CW	3050 - 3200 W	400 - 3 - 50 / 460 - 3 - 60	496	1666	221

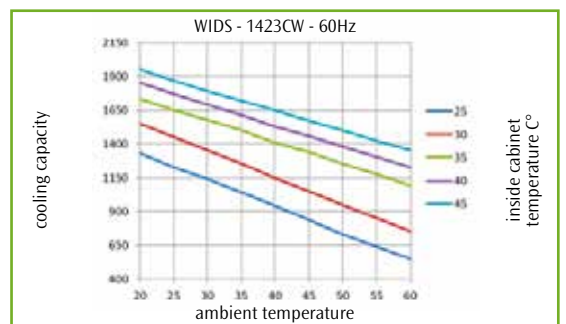
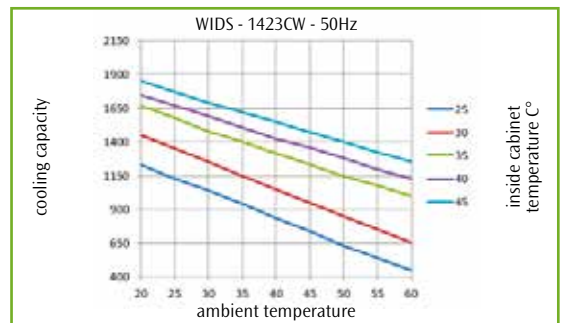
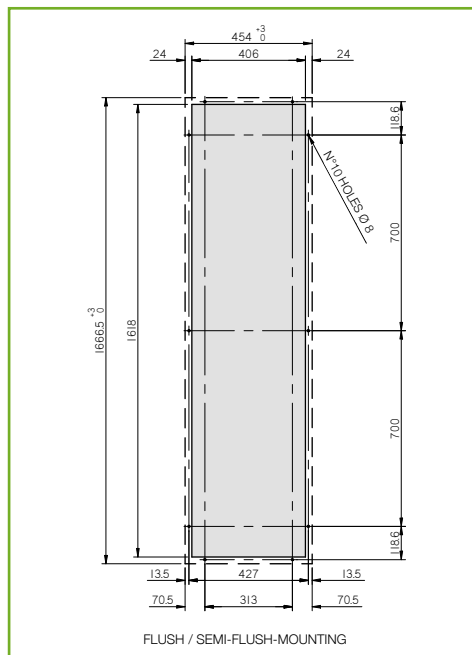
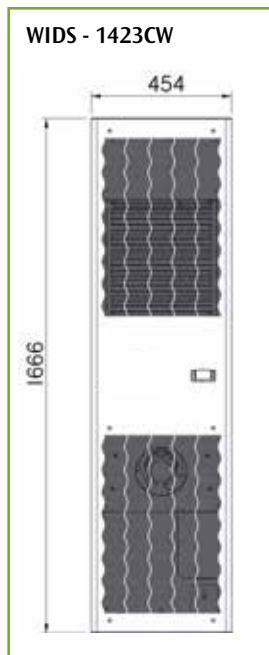
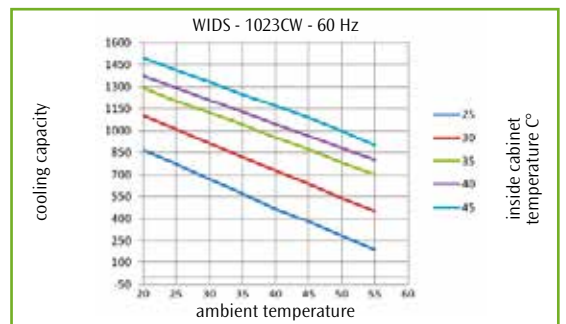
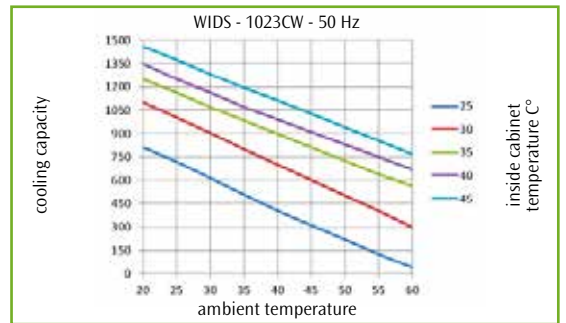
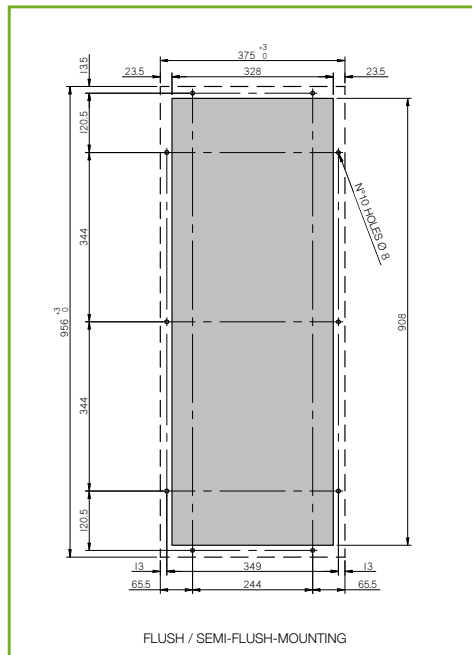
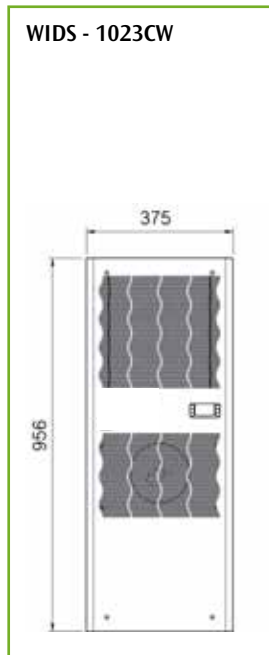
Thermal

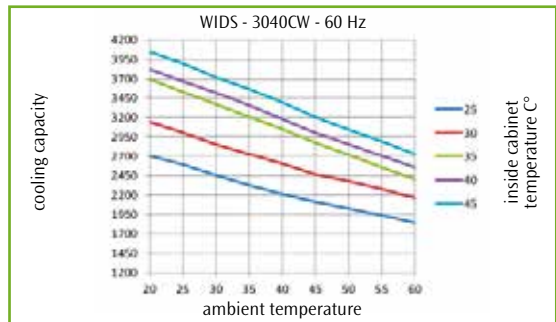
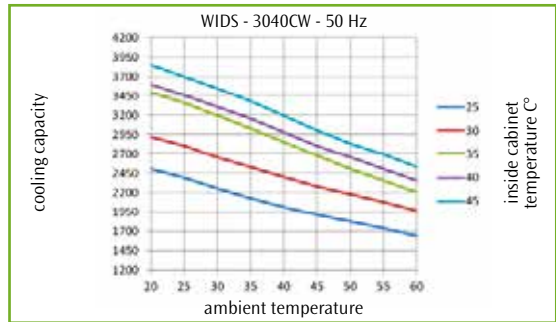
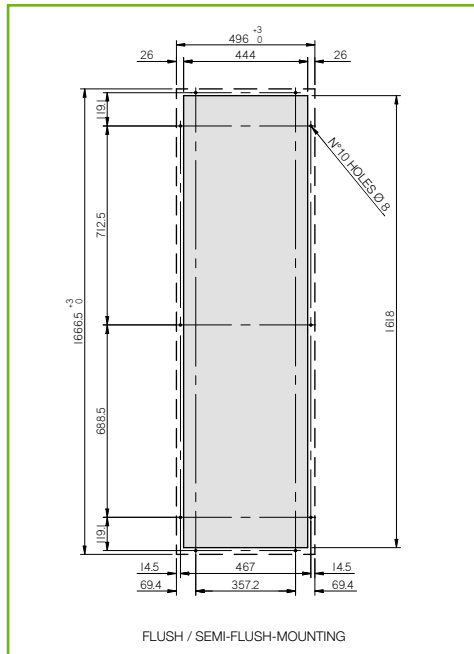
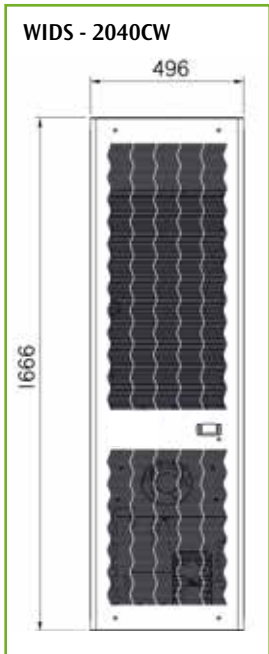
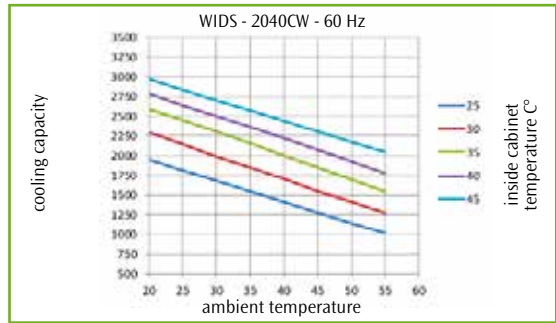
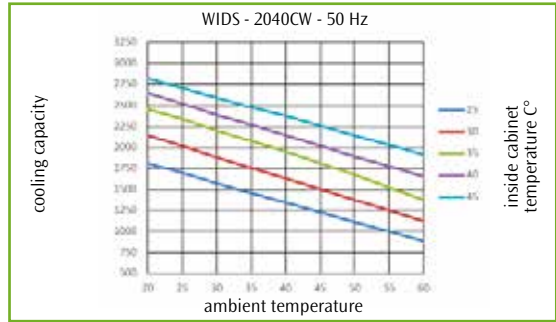
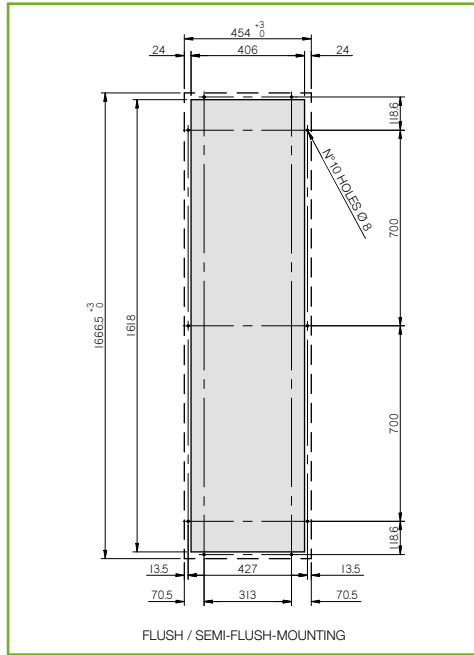
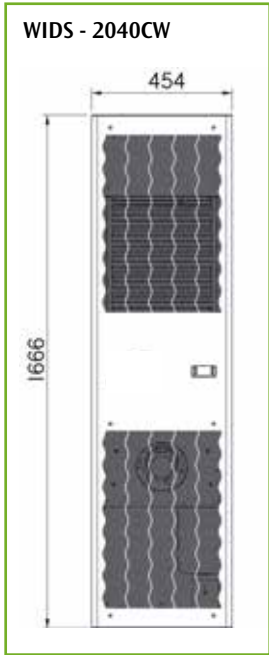
WIDS - 10



WIDS 14 - 20 - 30







EXTRA-SLIM AIR CONDITIONERS FOR DOOR MOUNTING

		WIDS-1023CW	WIDS-1423CW	WIDS-2040CW	WIDS-3040CW
RATED VOLTAGE	V.-	230	230	400,3	400,3
NOMINAL FREQUENCY	Hz	50 - 60	50 - 60	50	50
HEIGHT	mm	956	1666	1666	1666
WIDTH	mm	375	454	454	496
DEPTH	mm	196	181	181	221
COOLING CAPACITY L35L35*	W	1000 - 1050	1400 - 1500	2100	3050
COOLING CAPACITY L35L50*	W	720 - 800	1150 - 1250	1675	2500
POWER CONSUMPTION L35L35*	W	514 - 590	635 - 705	865	1085
POWER CONSUMPTION L35L50*	W	595 - 710	730 - 820	1020	1300
INTERNAL OPERATING TEMPERATURE	°C	25 - 45	20 - 60	20 - 60	20 - 60
EXTERNAL OPERATING TEMPERATURE	°C	20 - 60 / 20 - 55	25 - 45	25 - 45	25 - 45
PROTECTION RATING (CABINET SIDE)	IP/Type	54 / 12	54 / 12	54 / 12	54 / 12
EXTERNAL SOUND PRESSURE**	dB(A)	56	60	68	69

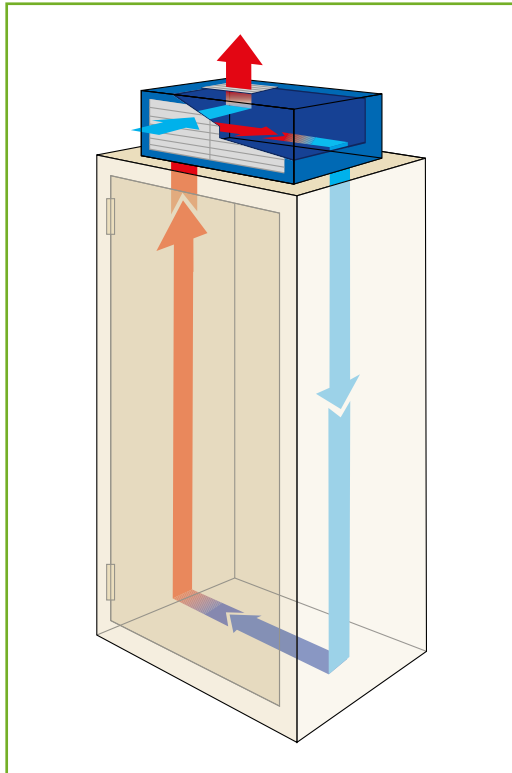
Data relating to units with Heat Pipe option

* DIN EN 14511

** EN ISO 9614



* Check the templates for further details



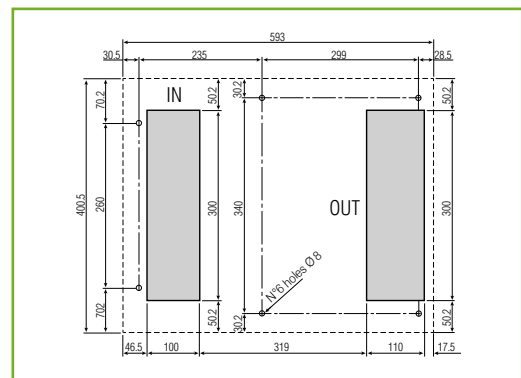
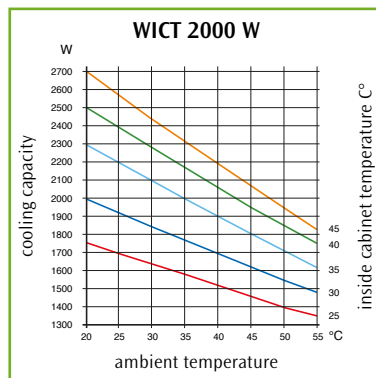
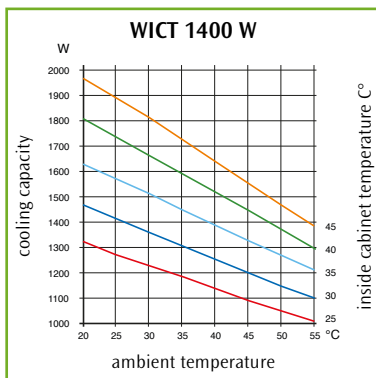
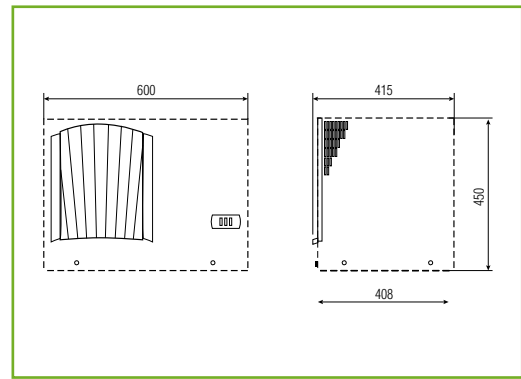
TECHNICAL FEATURES

- Top mounting air-conditioner
- Self cleaning condenser
- Anti-condensate hydrophilic evaporator
- Available in 5 sizes
- Cooling capacity: 330-5200W
- Condensate dissipating device from WICT-1423CW model
- Digital thermostat ECB (except 330W).

TOP MOUNTING AIR CONDITIONERS

WICT CODE	COOLING CAPACITY L35L35 DIN3168	POWER SUPPLY V-ph-Hz	DIMENSIONS			CERTIFICATIONS
			WIDTH	HEIGHT	DEPTH	
WICT3323CW	330 W	230-1-50/60	476	180	324	-
WICT3311CW	330 W	115-1-60	476	180	324	-
WICTU5023CW	600 W	230-1-50/60	600	335	325	cRUus
WICTU5011CW	600 W	115-1-60	600	335	325	cRUus
WICT6023CW	600 W	230-1-50/60	600	335	325	-
WICT6040CW	600 W	400-2-50 460-2-60	600	335	325	-
WICT9023CW	900 W	230-1-50/60	600	335	325	-
WICTU1023CW	900 W	230-1-50/60	600	335	325	cRUus
WICTU1011CW	900 W	115-1-60	600	335	325	cRUus
WICT1423CW	1400 W	230-1-50/60	600	450	400	-
WICTU1423CW*	1400 W	230-1-50/60	600	450	400	cRUus
WICT1440CW	1400 W	400-2-50 460-2-60	600	450	400	-
WICT2023CW*	2000 W	230-1-50/60	600	450	400	-
WICT2040CW	2000 W	400-2-50 460-2-60	600	450	400	-
WICT2723CW	2700 W	230-1-50/60	800	480	450	-
WICT2740CW	2700 W	400-3-50 460-3-60	800	480	450	-
WICT3823CW	3800 W	230-1-50/60	800	480	450	-
WICTU3823CW	3800 W	230-1-50/60	800	480	450	cRUus
WICT3840CW	3800 W	400-3-50 460-3-60	800	480	450	-
WICT5240CW	5200 W	400-3-50 460-3-60	800	550	600	-

* Item available on stock



TOP MOUNTING AIR CONDITIONERS WICT 1400 W

		WICT1423CW	WICTU1423CW	WICT1440CW
VOLTAGE/PHASE/FREQUENCY	V-ph-Hz	230-1 50/60	230-1 50/60	400-2-50 460-2-60
COOLING CAPACITY L35L35 - EN14511-2	W	1400	1400	1400
COOLING CAPACITY L35L50 - EN14511-2	W	1170	1170	1170
WIDTH/HEIGHT/DEPTH	MM	600x450x400	600x450x400	600x450x400
MAX. RUNNING CURRENT	A	5,2	5,5	2,8
STARTING CURRENT	A	17	17	31
PRE-FUSE T	A	8	8	10
POWER CONSUMPTION L35L50 - DIN 3168 W	W	950	950	950
SIDE CABINET FAN FLOW, FREE BLOWING	M ³ /h	575	575	575
REGULATION TEMPERATURE LIMITS	°C	25-45	25-45	25-45
SIDE AMBIENT TEMPERATURE LIMITS	°C	20-55	20-55	20-55
NOISE LEVEL	dB(A)	58	58	58
WEIGHT	kg	48	48	53
CERTIFICATIONS		-	cURus	-

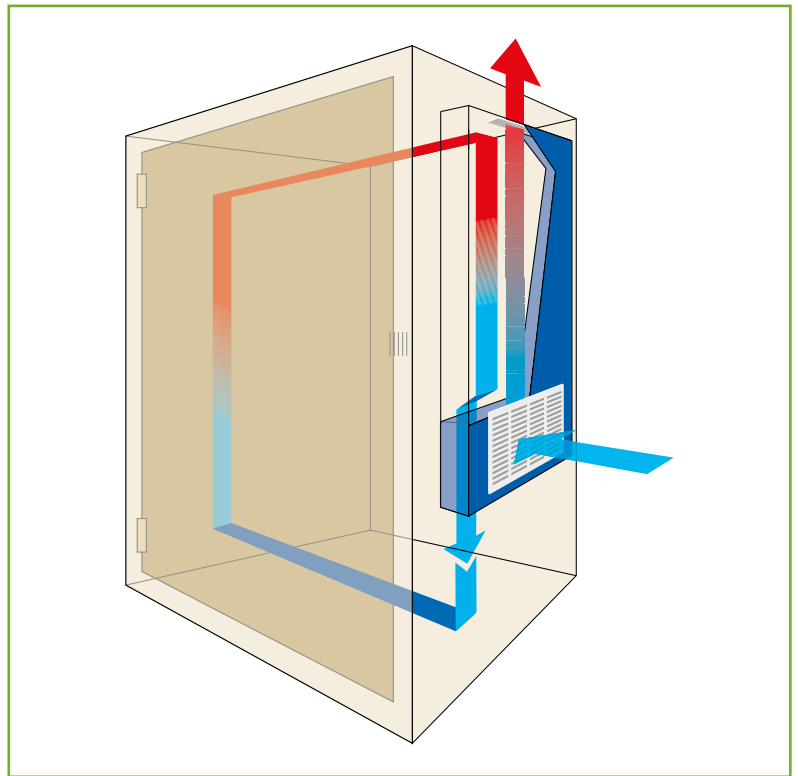
TOP MOUNTING AIR CONDITIONERS WICT 2000 W

		WICT2023CW	WICT2040CW
VOLTAGE/PHASE/FREQUENCY	V-ph-Hz	230-1 50/60	400-2-50 460-2-60
COOLING CAPACITY L35L35 - EN14511-2	W	2000	2000
COOLING CAPACITY L35L50 - EN14511-2	W	1700	1700
WIDTH/HEIGHT/DEPTH	MM	600x450x400	600x450x400
MAX. RUNNING CURRENT	A	5,7	3,3
STARTING CURRENT	A	22	31
PRE-FUSE T	A	8	10
POWER CONSUMPTION L35L50 - DIN 3168 W	W	1200	1200
SIDE CABINET FAN FLOW, FREE BLOWING	M ³ /h	860	860
REGULATION TEMPERATURE LIMITS	°C	25-45	25-45
SIDE AMBIENT TEMPERATURE LIMITS	°C	20-55	20-55
NOISE LEVEL	dB(A)	62	62
WEIGHT	kg	51,5	58,5



TECHNICAL FEATURES

- Designed for outdoor applications
- Cooling capacity: 500-4000W
- Electronic Board XCB + display (accessory)
- Condenser µchannel (from WICA16...)
- General alarm and remote control standard



OUTDOOR AIR CONDITIONERS

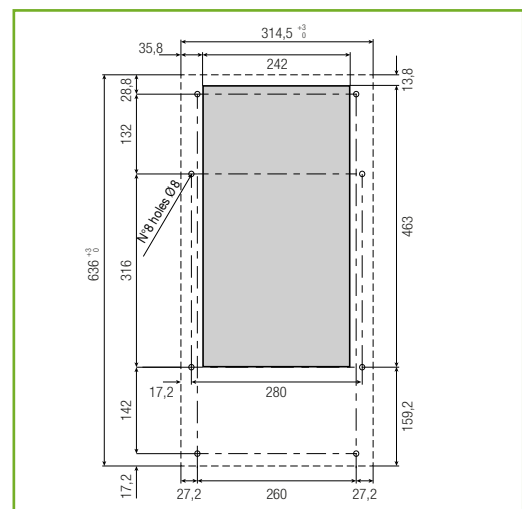
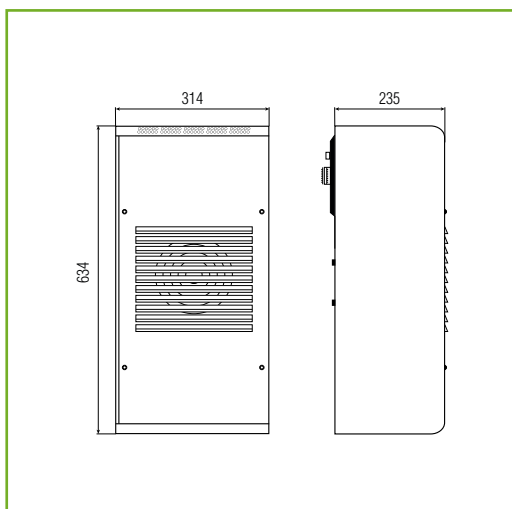
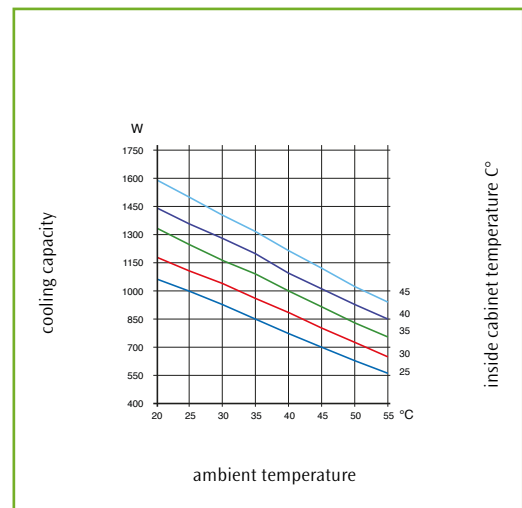
WICA CODE	COOLING CAPACITY L35L35 EN14511-2	POWER SUPPLY V-ph-Hz	DIMENSIONS		
			WIDTH	HEIGHT	DEPTH
WICA9023CW	850-900W	230-1-50/60	314	634	235
WICA1623CW	1500-1600W	230-1-50/60	410	906	272
WICA2223CW	2100-2200W	230-1-50/60	409	999	286
WICA4123CW	4000-4100W	230-1-50/60	511	1211	356
WICA4040CW	3950-4050W	400-3-50 / 460-3-60	511	1211	356

Thermal

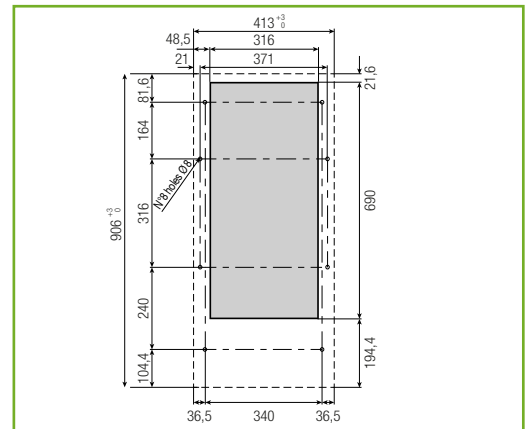
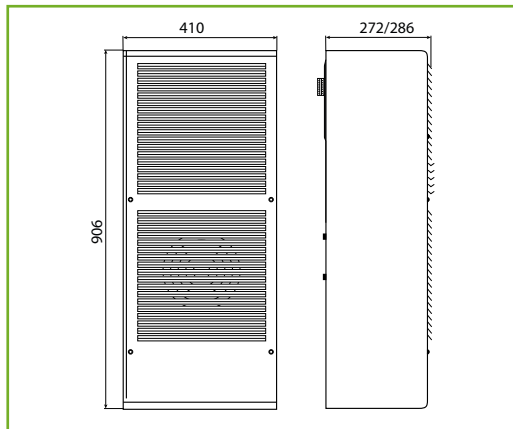
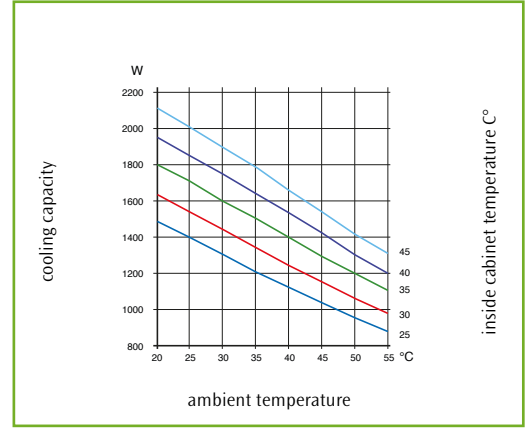
OUTDOOR AIR CONDITIONERS

		WICA9023CW	WICA1623CW	WICA2223CW	WICA4123CW	WICA4040CW
VOLTAGE/PHASE/FREQUENCY	V-ph-Hz	230-1-50/60	230-1-50/60	230-1-50/60	230-1-50/60	400-3-50 / 460-3-60
COOLING CAPACITY L35L35 - EN14511-2	W	850 - 900	1500 - 1600	2100 - 2200	4000 - 4100	3950 - 4050
COOLING CAPACITY L35L50 - EN14511-2	W	620 - 700	1200 - 1280	1750 - 1850	3000 - 3300	2960 - 3260
WIDTH/HEIGHT/DEPTH	mm	314x634x235	410x906x272	409x999x286	511x1211x356	511x1211x356
MAX. RUNNING CURRENT	A	2,6 - 2,7	3,9 / 4,3	4,8 / 5,5	8,2 / 9,4	2,9 / 4
STARTING CURRENT	A	20	28	34	42	25
PRE-FUSE T	A	6	8	10	16	8
POWER CONSUMPTION L35L50 - DIN 3168 W	W	420 - 600	750 - 825	1120 - 1240	1730 - 1950	1730 - 1950
SIDE CABINET FAN FLOW, FREE BLOWING	m3/h	3440 - 356	540 - 580	540 - 580	1180 - 1300	1180 - 1300
REGULATION TEMPERATURE LIMITS		+25 / +45	+25 / +45	+25 / +45	+25 / +45	+25 / +45
SIDE AMBIENT TEMPERATURE LIMITS	°C	-20 / +55	-20 / +55	-20 / +55	-20 / +55	-20 / +55
PROTECTION RATING (CABINET SIDE)	IP/Type	54 / -	54 / -	54 / -	54 / -	54 / -
NOISE LEVEL	dB(A)	64	65	66	67	67
WEIGHT	kg	27	46	48	80	85

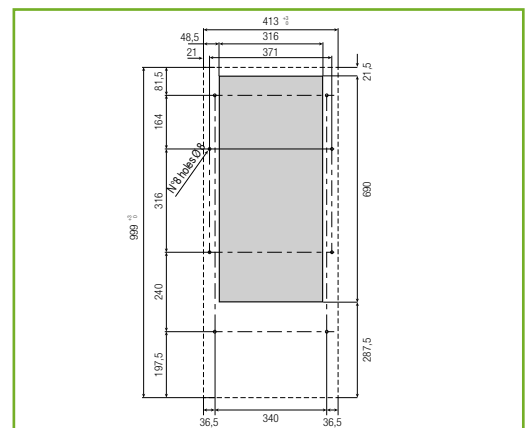
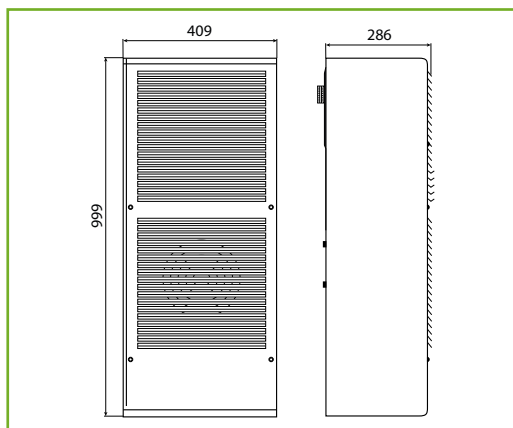
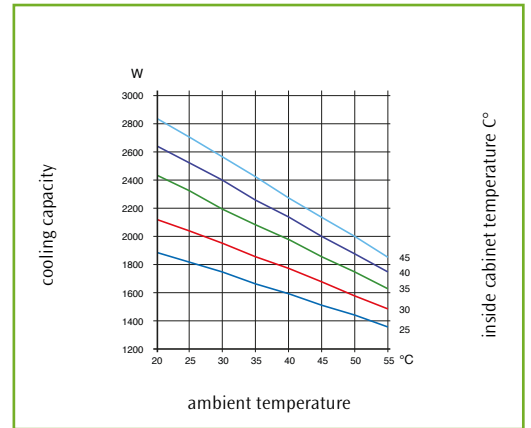
WICA9023CW



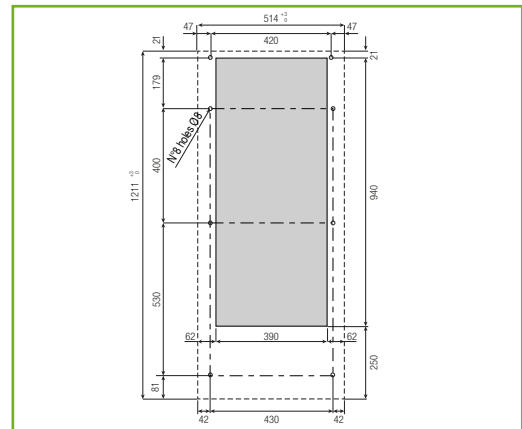
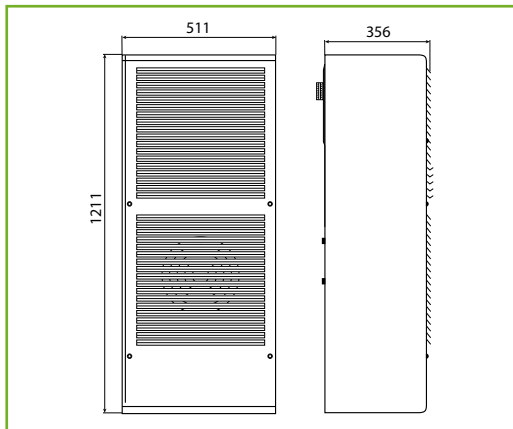
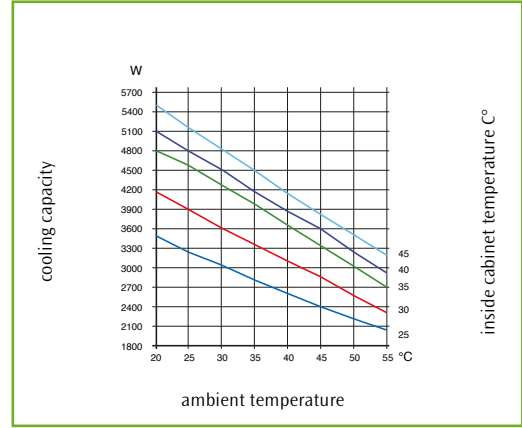
WICA1623CW



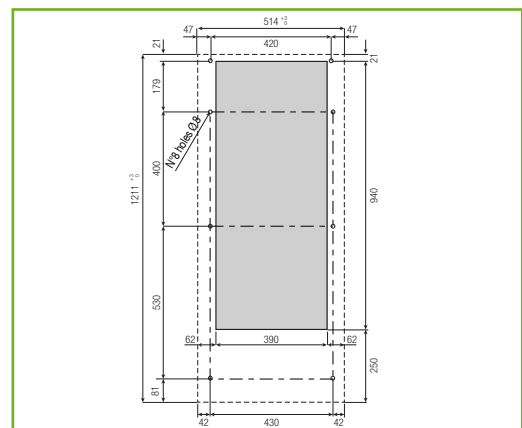
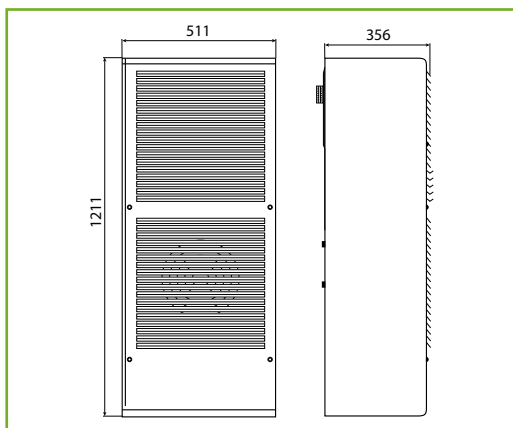
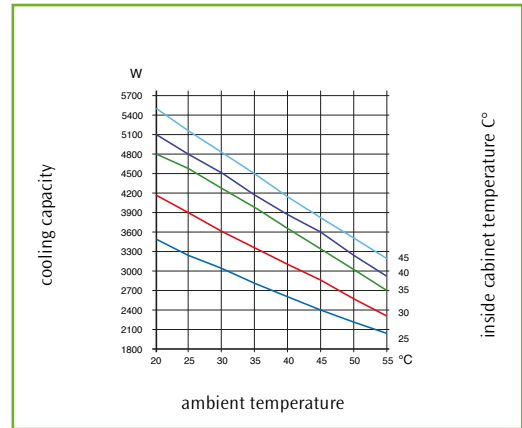
WICA2223CW



WICA4123CW



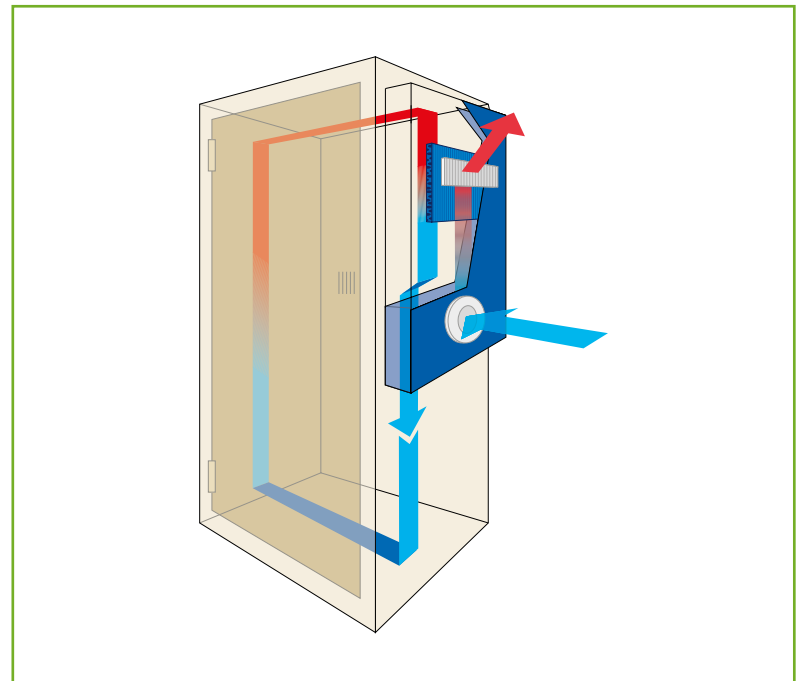
WICA4040CW





TECHNICAL FEATURES

- Available in 4 sizes
- Patented heat exchange core made of aluminium, to ensure high efficiency with compact dimensions
- Specific Heat Transmission 16-85 W/K



AIR-TO-AIR HEAT EXCHANGERS

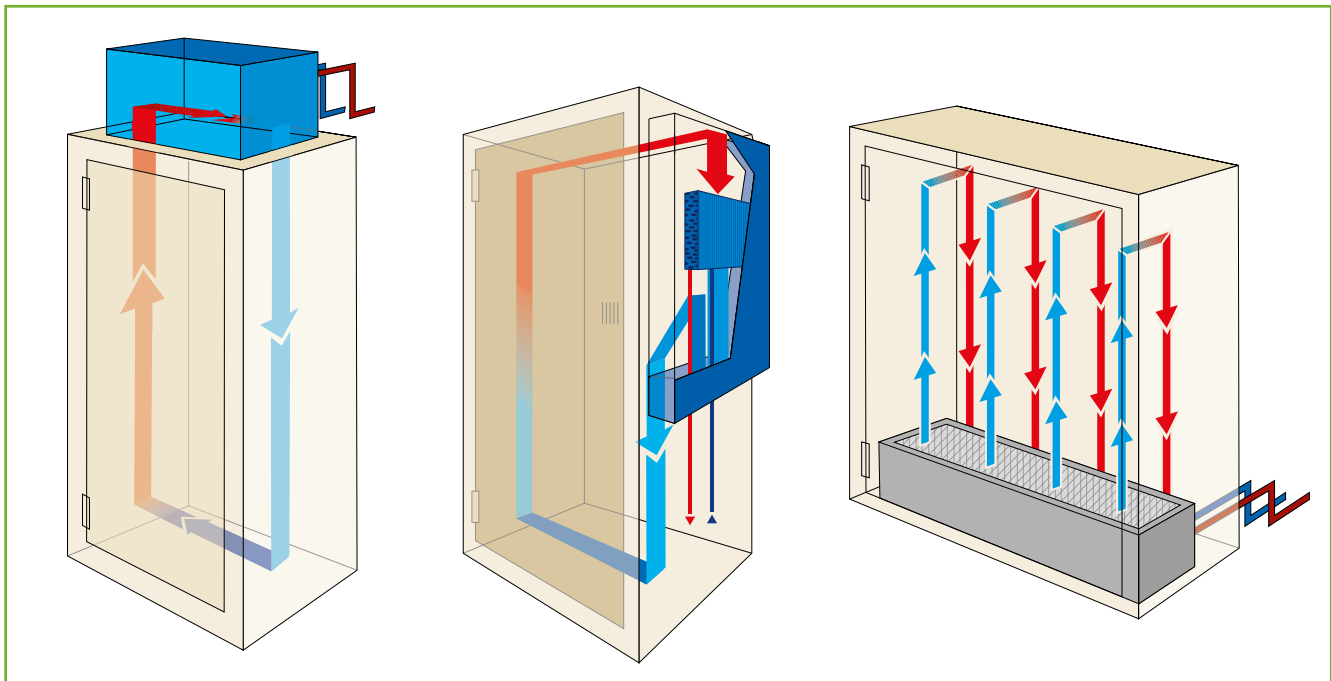
WISC CODE	SPECIFIC HEAT TRANSMISSION	POWER SUPPLY V-ph-Hz	DIMENSIONS			CERTIFICATIONS
			WIDTH	HEIGHT	DEPTH	
WISC1623CW	16 W/K	230-1-50/60	204	410	109	-
WISCU1611CW	16 W/K	115-1-60	204	410	109	cULus
WISC3523CW	35 W/K	230-1-50/60	254	780	90	-
WISCU3523CW	35 W/K	230-1-60	254	780	90	cULus
WISCU3511CW	35 W/K	115-1-60	254	780	90	cULus
WISC5023CW	50 W/K	230-1-50/60	312	780	90	-
WISCU5023CW	50 W/K	230-1-60	312	780	90	cULus
WISCU5011CW	50 W/K	115-1-60	312	780	90	cULus
WISC8023CW	80 W/K	230-1-50/60	311	1250	108	-
WISCU8023CW	80 W/K	230-1-60	311	1250	108	cULus
WISCU8011CW	80 W/K	115-1-60	311	1250	108	cULus
WISC8523CW	85 W/K	230-1-50/60	311	1250	108	-

Thermal



TECHNICAL FEATURES

- Available in 8 sizes
- Cooling capacity: 870-25000W
- 2 possibilities for mounting (wall or top mounting)



AIR-TO-WATER HEAT EXCHANGERS

CODICE WISW	SPECIFIC HEAT TRANSMISSION	POWER SUPPLY V-ph-Hz	DIMENSIONS			CERTIFICATIONS
			WIDTH	HEIGHT	DEPTH	
WISW87230CW	870 W	230-1-50/60	306	403	113	–
WISW87115CW	870 W	115-1-60	306	403	113	cULus
WISW220230CW	2200 W	230-1-50/60	402	916	206	–
WISW220115CW	2200 W	115-1-60	400	925	205	cULus
WISW220230CWH*	2200 W	230-1-50/60	800	200	400	–
WISW220115CWH*	2200 W	230-1-50/60	800	200	400	–
WISW310230CW	3100 W	230-1-50/60	402	916	206	–
WISW310115CW	3100 W	115-1-60	400	925	205	cULus
WISW670230CW	6700 W	230-1-50/60	503	1091	293	–
WISW1250230CW	12500 W	230-1-50/60	800	2000	400	–
WISW1250400CW	12500 W	400-2-50 440-2-60	800	2000	400	–
WISW1750400CW	17500 W	400-2-50 440-2-60	800	2000	600	–
WISW1750230CW	17500 W	230-1-50/60	800	2000	600	–
WISW2500230CW	25000 W	230-1-50/60	800	2000	600	–

* top mounting

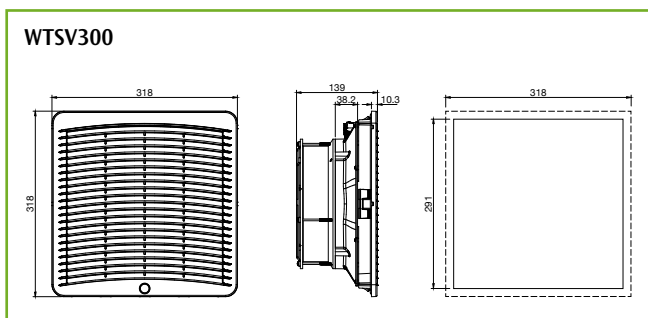
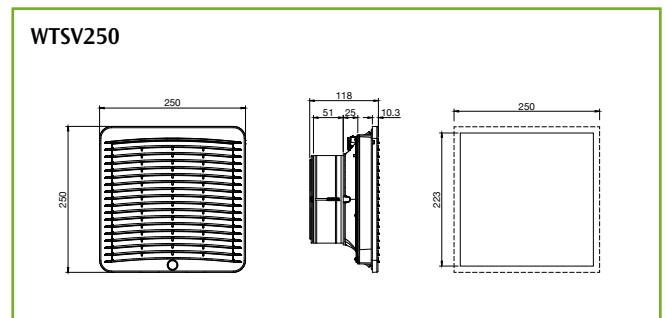
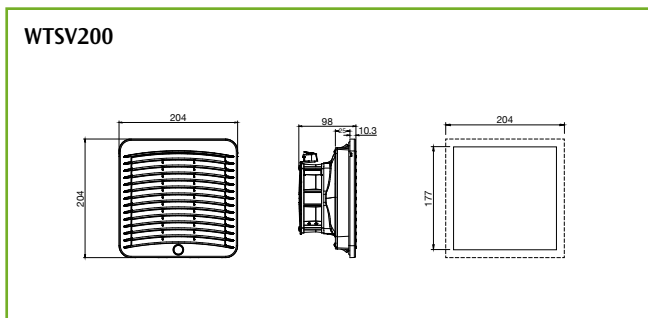
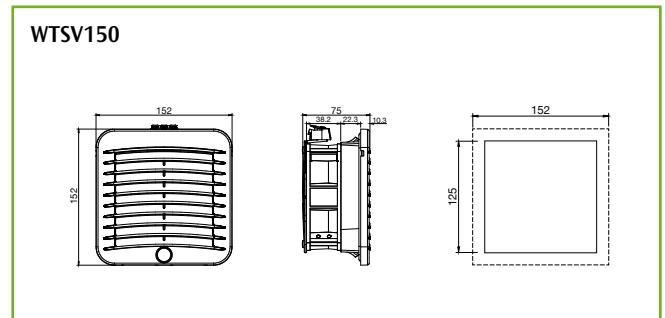
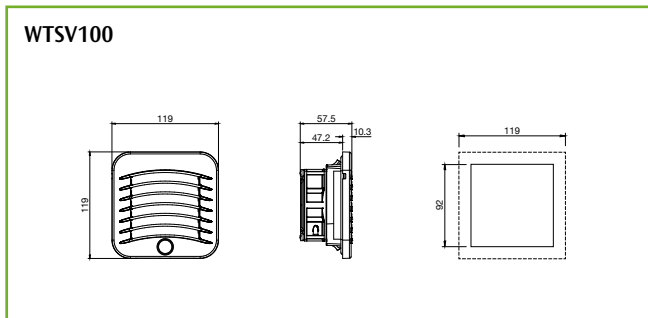


TECHNICAL FEATURES

- Easy maintenance and filter substitution
- Screwless
- Designed in ABS BLEND (RAL7035)
- Air Flow 35 - 850 m³/h
- Reversible air flow, push /pull
- MTBF: 40000 hours.

PROTECTION RATING:

- IP54
- Nema 12.



FILTER FAN

CODE	FAN FLOW m ³ /h	VOLTAGE V-ph-Hz	DIMENSIONS (mm)			COMPATIBLE WITH FILTER GRID
			HEIGHT	WIDTH	DEPTH	
WTSV1000220	35	230 - 1 - 50/60	119	119	57,5	WTSG10
WTSV1500220	67	230 - 1 - 50/60	152	152	75	WTSG15
WTSV2000220	108	230 - 1 - 50/60	204	204	98	WTSG20
WTSV2500220	190	230 - 1 - 50/60	250	250	118	WTSG25
WTSV2501220*	270	230 - 1 - 50/60	250	250	99	WTSG25
WTSV3000220	500	230 - 1 - 50/60	318	318	139	WTSG30
WTSV3001220*	700	230 - 1 - 50/60	318	318	135	WTSG30
WTSV3002220*	850	230 - 1 - 50/60	318	318	160,5	WTSG30
WTSV1000203	35	115 - 1 - 50/60	119	119	57,5	WTSG10
WTSV1500203	67	115 - 1 - 50/60	152	152	75	WTSG15
WTSV2000203	108	115 - 1 - 50/60	204	204	98	WTSG20
WTSV2500203	190	115 - 1 - 50/60	250	250	118	WTSG25
WTSV2501203*	270	115 - 1 - 50/60	250	250	99	WTSG25
WTSV3000203	500	115 - 1 - 50/60	318	318	139	WTSG30
WTSV3001203*	700	115 - 1 - 50/60	318	318	135	WTSG30
WTSV3002203*	850	115 - 1 - 50/60	318	318	160,5	WTSG30
WTSV1000211*	50	24 VDC	119	119	57,5	WTSG10
WTSV1500211*	67	24 VDC	152	152	75	WTSG15
WTSV2000211*	108	24 VDC	204	204	98	WTSG20
WTSV2500211*	230	24 VDC	250	250	118	WTSG25
WTSV3002262*	850	400 -3 - 50 / 460 - 3 - 60	318	318	160,5	WTSG30

* Available on request

FILTER GRID

CODE	DIMENSIONS (mm)			COMPATIBLE WITH FILTER FAN
	HEIGHT	WIDTH	DEPTH	
WTSG10	119	119	28,5	WTSV1000220 - WTSV1000203 WTSV1000211
WTSG15	152	152	32,5	WTSV1500220 - WTSV1500203 WTSV1500211
WTSG20	204	204	33,5	WTSV2000220 - WTSV2000203 WTSV2000211
WTSG25	250	250	47,5	WTSV2500220 - WTSV2501220 WTSV2500203 - WTSV2501203 WTSV2500211
WTSG30	318	318	34	WTSV3000220 - WTSV3001220 WTSV3002220 - WTSV3000203 WTSV3001203 - WTSV3002203 WTSV3002262



STANDARD AIR FILTERS

- Material: chemical fibers
- Weight 200 g/m²
- Thickness 14 mm
- Dust holding capacity 600 g/m²
- Supply includes 10 pieces.

AIR FILTERS (10 pcs)

CODE	COMPATIBLE WITH FILTER GRID
WTFSG10	WTSG10
WTFSG15	WTSG15
WTFSG20	WTSG20
WTFSG25	WTSG25
WTFSG30	WTSG30

Thermal

WTSV1000	M.U	WTSV1000220		WTSV1000203		WTSV1000211	
Rated voltage	V	230,1		115,1		24VDC	
Nominal frequency	Hz	50	60	50	60	-	
Fan flow without filter grid	m ³ / h	35		35		50	
Fan flow with filter grid	m ³ / h	24 / 27		24 / 27		32 / 38	
Power absorbed	W	4,6	4,5	3,6	2,86	6,1	
Absorbed current	A	0,21	0,205	0,22	0,175	0,265	
Pre-fuse T	A	0,5		0,5		0,5	
Internal operating temperature *	°C	-10 / +70		-10 / +70		-10 / +70	
External sound pressure	dB (A)	33		33		53	
Height x Width x Depth	mm	119 x 119 x 57,5		119 x 119 x 57,5		119 x 119 x 57,5	

WTSV1500	M.U	WTSV1500220		WTSV1500203		WTSV1500211	
Rated voltage	V	230,1		115,1		24VDC	
Nominal frequency	Hz	50	60	50	60	-	
Fan flow without filter grid	m ³ / h	67		67		67	
Fan flow with filter grid	m ³ / h	50 / 58		50 / 58		50 / 58	
Power absorbed	W	22	22	22	25	8,1	
Absorbed current	A	0,14	0,14	0,26	0,3	0,335	
Pre-fuse T	A	0,5		0,5		1	
Internal operating temperature *	°C	-10 / +70		-10 / +70		-10 / +70	
External sound pressure	dB (A)	49		49		48	
Height x Width x Depth	mm	152 x 152 x 75		152 x 152 x 75		152 x 152 x 75	

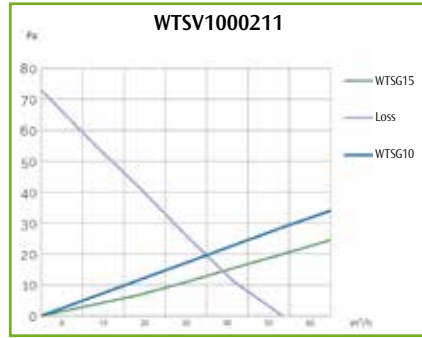
WTSV2000	M.U	WTSV2000220		WTSV2000203		WTSV2000211	
Rated voltage	V	230,1		115,1		24VDC	
Nominal frequency	Hz	50	60	50	60	-	
Fan flow without filter grid	m ³ / h	108		108		108	
Fan flow with filter grid	m ³ / h	75 / 88		75 / 88		75 / 88	
Power absorbed	W	22	22	22	24,5	8,1	
Absorbed current	A	0,14	0,14	0,26	0,29	0,335	
Pre-fuse T	A	0,5		0,5		1	
Internal operating temperature *	°C	-10 / +70		-10 / +70		-10 / +70	
External sound pressure	dB (A)	49		49		48	
Height x Width x Depth	mm	204 x 204 x 98		204 x 204 x 98		204 x 204 x 98	

WTSV2500	M.U	WTSV2500220		WTSV2500203		WTSV2500211		WTSV2501220	
Rated voltage	V	230,1		115,1		24VDC		230,1	
Nominal frequency	Hz	50	60	50	60	-	-	50	60
Fan flow without filter grid	m ³ / h	190		190		230		270	
Fan flow with filter grid	m ³ / h	130 / 160		130 / 160		190 / 210		200 / 220	
Power absorbed	W	25	70	39	38	26,6	50	66	66
Absorbed current	A	0,11	0,31	0,59	0,575	0,86	0,25	0,33	0,33
Pre-fuse T	A	0,5		1		1,5		0,5	
Internal operating temperature *	°C	-10 / +70		-10 / +70		-10 / +70		-10 / +70	
External sound pressure	dB (A)	55		55		59		62	
Height x Width x Depth	mm	250 x 250 x 118		250 x 250 x 118		250 x 250 x 118		250 x 250 x 118	

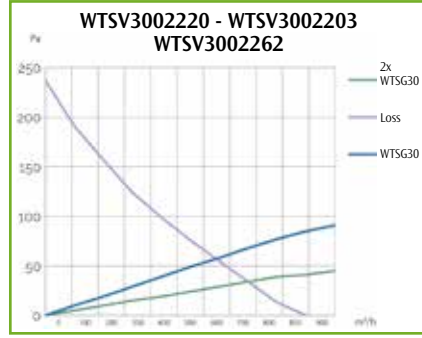
WTSV3000	M.U	WTSV3000220		WTSV3000203		WTSV3001220		WTSV3001203	
Rated voltage	V	230,1		115,1		230,1		115,1	
Nominal frequency	Hz	50	60	50	60	50	60	50	60
Fan flow without filter grid	m ³ / h	500		500		700		700	
Fan flow with filter grid	m ³ / h	380 / 450		380 / 450		600 / 670		600 / 670	
Power absorbed	W	50	63	50	72	115	173	125	170
Absorbed current	A	0,25	0,315	0,42	0,61	0,51	0,77	1,1	1,5
Pre-fuse T	A	0,5		1		1		2	
Internal operating temperature *	°C	-10 / +60		-10 / +60		-10 / +60		-10 / +60	
External sound pressure	dB (A)	62		62		65		68	
Height x Width x Depth	mm	318 x 318 x 139		318 x 318 x 13		318 x 318 x 135		318 x 318 x 135	

* +55°C UL

Thermal



WTSV2501203	
115,1	
50	60
270	
200 / 220	
50	75
0,42	0,63
1	
-10 / +70	
62	
250 x 250 x 118	



WTSV3002220		WTSV3002203		WTSV3002262	
230,1		115,1		400,3	460,3
50	60	50	60	50	60
850		850		850	
620 / 670		620 / 700		620 / 700	
142	182	115	196	115	204
0,63	0,81	1,02	1,24	0,23	0,355
1,5		2		1	
-10 / +60		-10 / +60		-10 / +60	
65		71		65	
318 x 318 x 160,5		318 x 318 x 160,5		318 x 318 x 160,5	

**VENTILATION/FILTERS
SHROUD KIT IP56
WTCV**

Cfr. pages 68 and 222.



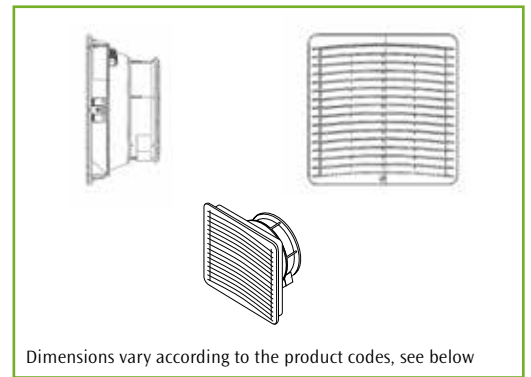
These ventilation systems ensure protection from electromagnetic interference through the combined use of a special paint and a metal net on the conductive sealing grid.

TECHNICAL FEATURES

- screwless
- designed in ABS BLEND (RAL 7035)
- air flow 35 – 990 m³/h
- reversible air flow, push/pull
- easy maintenance and filter substitution
- electrical connections with springs terminals
- MBTF: 40000 hours.

PROTECTION RATING

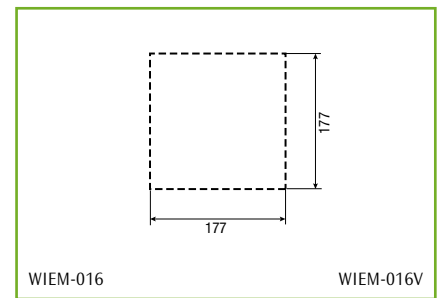
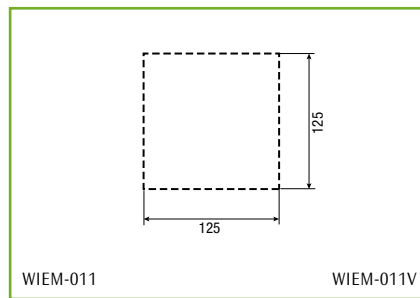
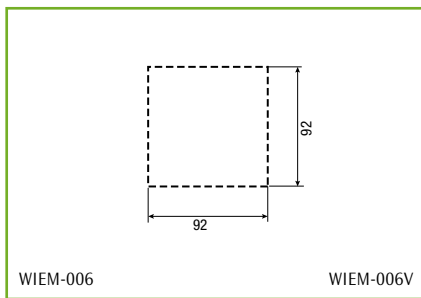
IP54.



Dimensions vary according to the product codes, see below

EMC FILTERING GRIDS

WIEM CODE	DIMENSIONS	
	WIDTH	HEIGHT
WIEM-031	119	119
WIEM-036	152	152
WIEM-041	204	204



EMC FANS

		WIEM-006	WIEM-006V	WIEM-011	WIEM-011V	WIEM-016	WIEM-016V
VOLTAGE/PHASE/FREQUENCY	V-ph-Hz	230-1-50/60	115/1-50/60	230-1-50/60	115/1-50/60	230-1-50/60	115/1-50/60
WIDTH/HEIGHT/DEPTH	MM	119x119x101	119x119x101	152x152x89	152x152x89	204x204x121,5	204x204x121,5
POWER CONSUMPTION L35L50-DIN 3168	W/A	13/0,07	13/0,13	22/0,14	22/0,26	22/0,14	22/0,26
PRE-FUSE T	A	0,5	1	0,5	1	0,5	1
TEMPERATURE LIMITS	°C	- 10 / + 60	- 10 / + 60	- 10 / + 60	- 10 / + 60	- 10 / + 60	- 10 / + 60
NOISE LEVEL	dB(A)	35	35	49	49	49	49
FAN FLOW	M ³ /h	35	35	67	67	108	108
FAN FLOW + FILTER	M ³ /h	24/27	24/27	50/58	50/58	75/88	75/88



Thermal

ROOF MOUNTING FAN WA250B/WA250VB

Structure, roof and fan ventilator manufactured from sheet steel.

PAINT FINISH

ETA standard finishing cycle: paint-based primer with deposition by cataphoresis with epoxy resin and finishing using thermosetting powders. Colour: RAL 7035 textured finish.

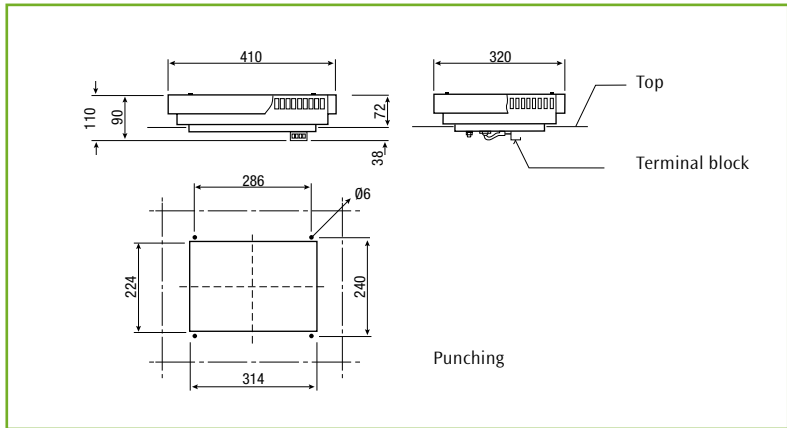


PROTECTION RATING

IP23

SUPPLY

- structure, roof and fan support with sealing gasket and mounting accessories
- radial fan
- finger guard
- capacitor
- terminal block.



ROOF MOUNTING FAN

WA CODE	NOMINAL V/Hz	POWER W	AIR FLOW m ³ /H	MAX HEAD Pa	CONDENSER	NOISE dB(A)
WA250B	220/50-60	75	550	320	2	62
WA250VB	110/50-60	75	550	320	2	62



SHROUD FOR ROOF MOUNTING FAN WA255B

Structure and roof manufactured from sheet steel.

PAINT FINISH

ETA standard finishing cycle: paint-based primer with deposition by cataphoresis with epoxy resin and finishing using thermosetting powders. Colour: RAL 7035 textured finish.



PROTECTION RATING

IP23.

SUPPLY

- structure and roof with sealing gasket
- mounting accessories.



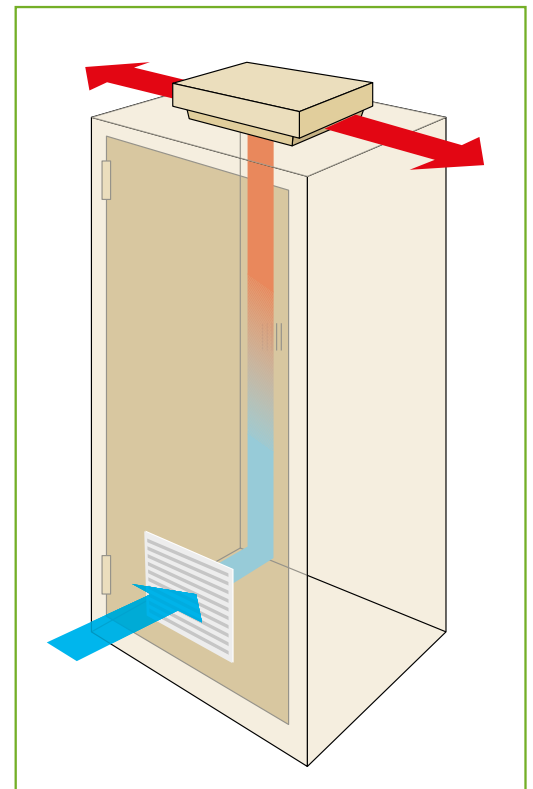


GENERAL CHARACTERISTICS

- Plastic base and sheet cover
- Fastening system without screws
- Air flow: 500 ... 1870 m³/h
- Solution available without fan
- Protection rating: IP43/Type1
- MTBF: 40,000 hours
- Radial fans with high external static pressure
- Other models (including IP54) available upon request.

NATURAL EXHAUST WITHOUT FANS			
		WITA190CW	WITA250CW
WIDTH/HEIGHT/DEPTH	MM	395x395x108	490x490x188
INTERNAL OPERATING TEMPERATURES	°C	-40/+60	-40/+60

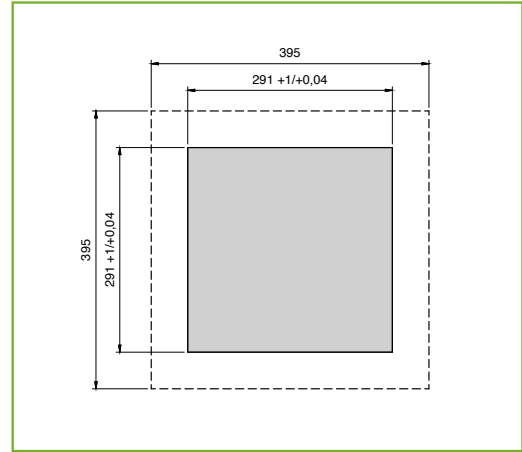
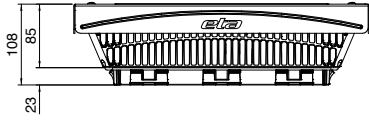
CODE COMPARISON		
NEW CODE	OLD CODE	GRID (WTSG)
WITV1922CW	WT200CW	1 x WTSG30
WITV1923CW	WT200VCW	1 x WTSG30
WITV8623CW	WT205CW	1 x WTSG30
WITV8611CW	WT205VCW	1 x WTSG30
WITV1423CW	WT210CW	2 x WTSG30
WITV2311CW	WT215CW	2 x WTSG30



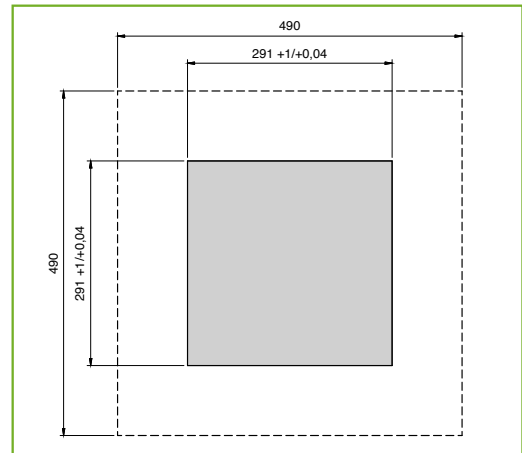
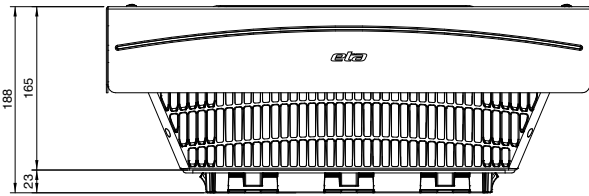
FORCED EXHAUST FANS							
		WITV1922CW	WITV1923CW	WITV8623CW	WITV8611CW	WITV1423CW	WITV2311CW
VOLTAGE/PHASE/FREQUENCY	V-ph-Hz	230-1-50/60	115-1-50/60	230-1-50/60	115-1-50/60	230-1-50/60	230-1-50/60
WIDTH/HEIGHT/DEPTH	MM	395x395x112	395x395x112	395x395x112	395x395x112	490x490x191	490x490x191
FAN AIR FLOW, FREE VENT	M ³ /h	540/575	555	800/810	785	1425/1520	1870
FAN AIR FLOW	M ³ /h	460/495	475	615/625	600	1310/1405	1520
ABSORBED POWER	W	52/65	70	88/116	108	230/340	168
ABSORBED CURRENT	A	0,21/0,29	0,61	0,37/0,49	0,9	0,85/1,15	1,4/1,4
T FUSES	A	1	2	1	2	2	2
INTERNAL OPERATING TEMPERATURES	°C	-25/+55	-25/+55	-25/+55	-25/+55	-25/+55	-25/+55
NOISE	dB(A)	80	80	80	80	82	82

Thermal

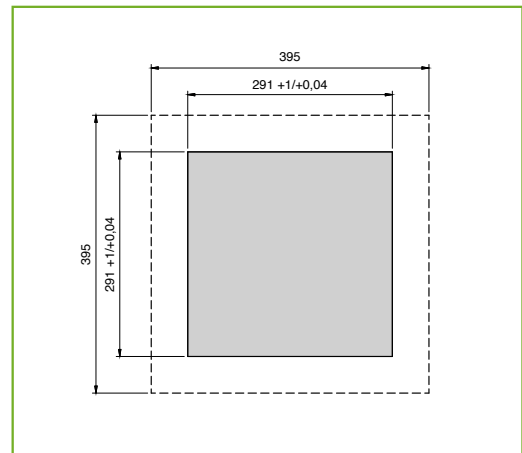
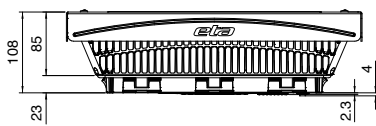
WITA190CW



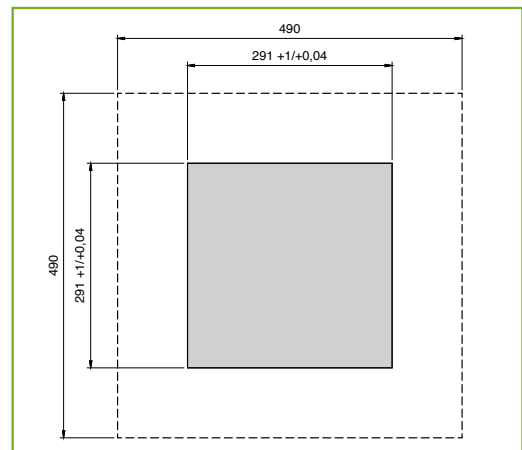
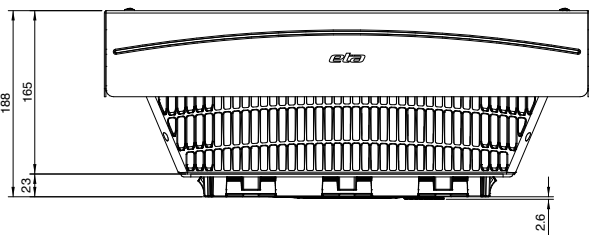
WITA250CW



WITV1922CW - WITV1923CW - WITV8623CW - WITV8611CW



WITV1423CW - WITV2311CW





In order to choose the most suitable heating element, please refer to the Technical section on page 363.



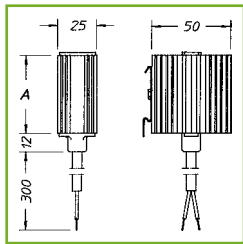
HEATING ELEMENT WI271 WI273 WI274



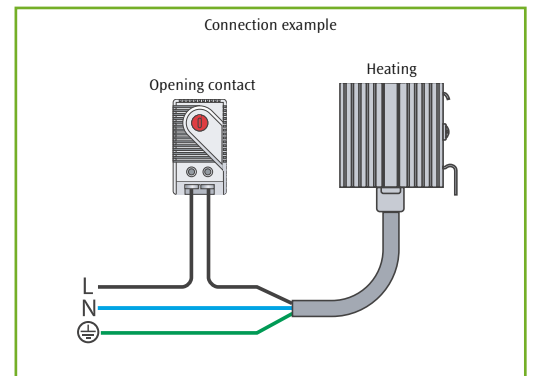
HEATING ELEMENT
PTC (semiconductor).

PROTECTION RATING
IP44.

PROTECTION CLASS
I (protection wire to earth).



HEATER			
WI CODE	POWER WATT	TENSION V AC/DC	DIM. A
WI271	10	120/240	52
WI273	20	120/240	60
WI274	30	120/240	70



HEATING ELEMENT WI250 WI255 WI260 WI265 WI270

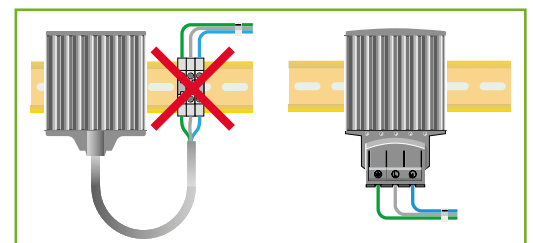
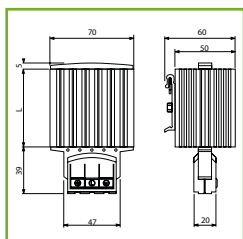


HEATING ELEMENT
PTC (semiconductor).

PROTECTION RATING
IP20.

PROTECTION CLASS
I (protection wire to earth).

Supply does not include the cable.



HEATER			
WI CODE	POWER WATT	TENSION V AC/DC	DIM. A
WI250	15	120/240	65
WI255	30	120/240	65
WI260	45	120/240	65
WI265	75	120/240	140
WI270	150	120/240	220

Thermal

HEATING ELEMENT WI277 WI279



TECHNICAL FEATURES

Air flow: 45 m³/h (50 Hz) and/or 54 m³/h (60 Hz).
 Surface temperature: Max 75°C.
 Time capacity: 50.000 hours to 25°C.

PROTECTION RATING
 IP20.

PROTECTION CLASS
 I (protection wire to earth).

HEATER			
WI CODE	POWER WATT	TENSION V AC	DIM. A
WI277	250	230/50-60	182
WI279	400	230/50-60	222

HEATER WITH FAN AND THERMOSTAT WIRV



HEATER
 PTC (semiconductor).

TEMPERATURE ADJUSTMENT
 0-60°.

PROTECTION RATING
 IP20.

PROTECTION CLASS
 I (double insulation).

HEATER			
WIRV CODE	POWER WATT	TENSION V AC	AIR FLOW m ³ /h
WIRV-010	475 W (50 Hz) - 550 W (60 Hz)	230 V AC 50/60 Hz	35
WIRV-010V	400 W (50 Hz) - 550 W (60 Hz)	110 V AC 50/60 Hz	35
WIRV-020	550 W (50 Hz) - 550 W (60 Hz)	230 V AC 50/60 Hz	45
WIRV-020V	510 W (50 Hz) - 550 W (60 Hz)	110 V AC 50/60 Hz	45





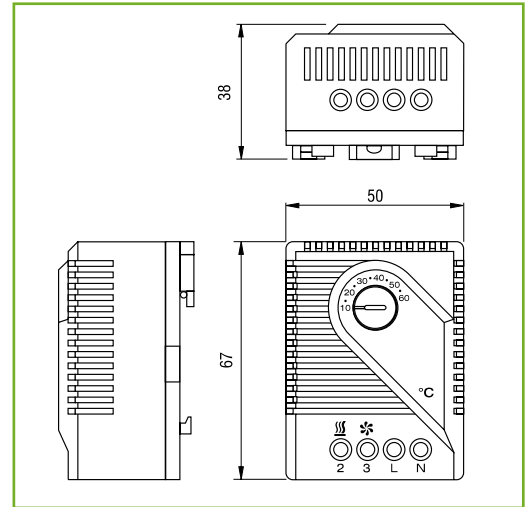
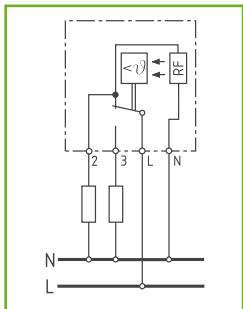
TEMPERATURE REGULATOR W1280



TECHNICAL FEATURES

Voltage: 230 V AC
 Adjustment range: +5 +60°C
 Contact capacity:
 • close 5A/250 V AC
 • open 10A/250 V AC
 Connections 2,5 mm² 4 poles
 Fixing: clip fixing on 35 mm DIN rails
 Housing: UL 94 V0 thermoplastic material
 Dimensions: 67 x 50 x 38 mm.

PROTECTION RATING
 IP20.



ELECTRONIC TEMPERATURE/HUMIDITY CONTROLLER W1290

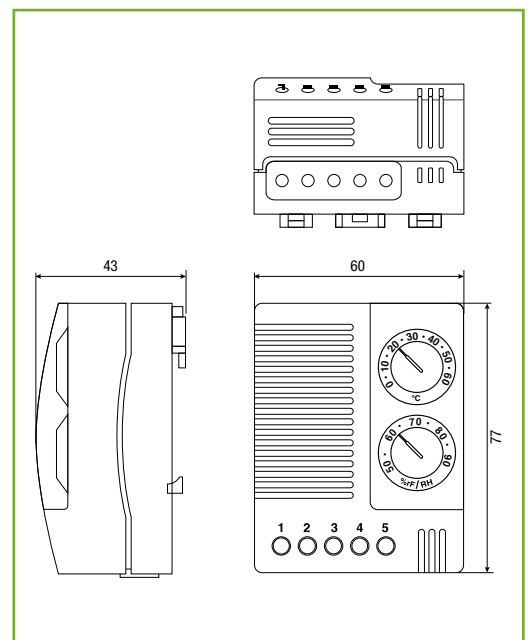
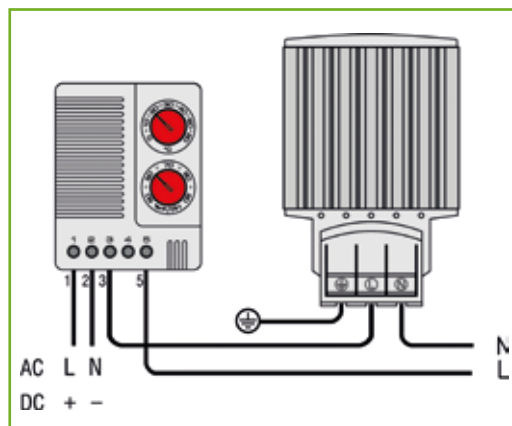
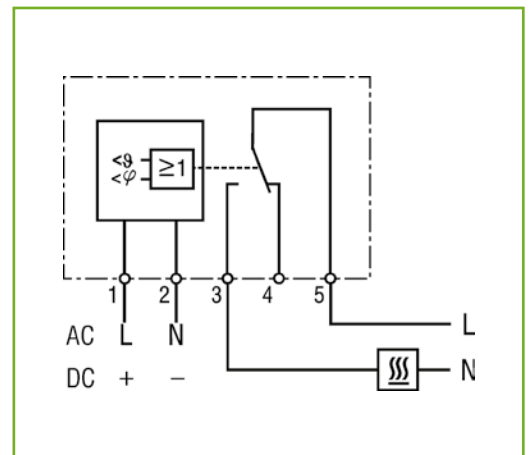


TECHNICAL FEATURES

Voltage: 100 – 240 V AC
 Temperature regulation: 0° ÷ 60°C
 Intervention sensitivity: + 2°C
 Respective humidity regulation: 50% ÷ 90%
 Response time: about 5 sec
 Contact capacity: Max: 240 V 10 A
 ON indicator: LED
 Fixing: clip fixing on 35 mm DIN rail
 Dimensions: 60 x 77 x 43 mm
 Housing: UL 94 V0 thermoplastic material.

PROTECTION RATING
 IP20

* Available upon request: 120V version



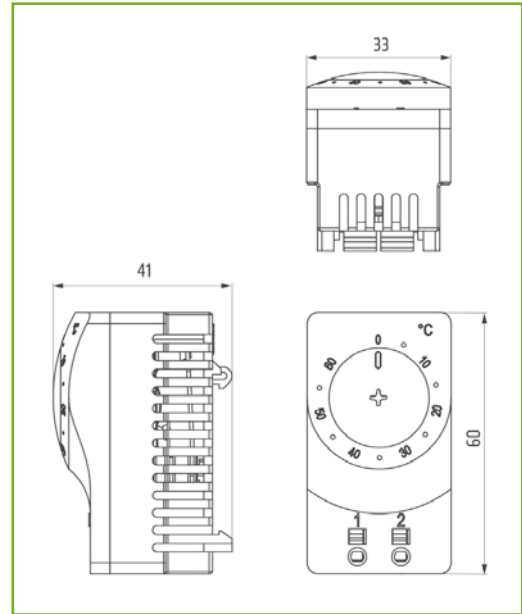


TECHNICAL FEATURES

Switch hysteresis: 7 K (tolerance ± 4 K)
 Probe: bimetallic
 Contact type: trigger
 Working life: 100,000 cycles ensured
 Max. working voltage and frequency range: AC 250 V, 50-60 HZ
 Max. ignition current: AC 16 A for 10 sec.
 Connection: 2 Push-In terminals
 Solid wire 2.5 mm² (AWG 14)
 Flexible wire 1.5 mm² (AWG 16)
 Coupling: clip for DIN 35 mm, EN 60715
 Housing: UL94 V-0 plastic, bright grey
 Dimensions: 60 x 33 x 41 mm
 Weight: approximately 40 g
 Mounting position: any
 Operating/storage ambient temperature:
 -45 °C ... +80 °C (-49 °F ... +176 °F)
 Operating/storage ambient humidity:
 max. 90% RH (without condensation)
 Over voltage category/Altitude: II: up to 5,000 m; III: up to 2,000 m

PROTECTION RATING

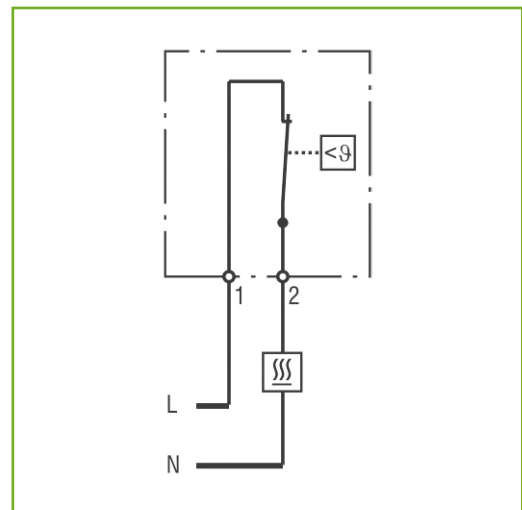
IP20 / III



THERMOSTAT WITH OPENING CONTACT NC W1282

When the temperature increases there's the contact opening. To be used to control air temperature inside cabinets:

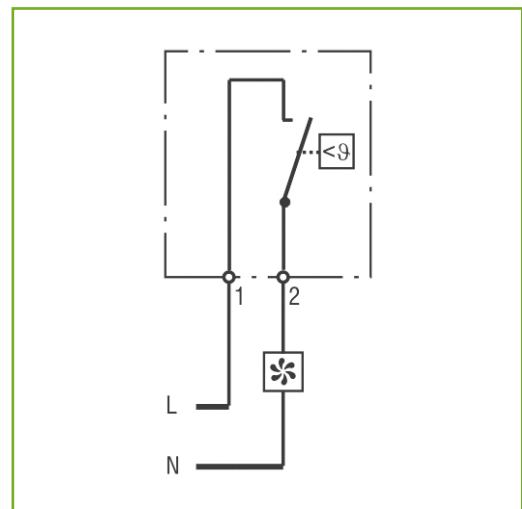
- heating
- ventilation
- signal transmissions.



THERMOSTAT WITH CLOSING CONTACT NO W1284

When the temperature increases there's the contact closing. To be used to control air temperature inside cabinets:

- heating
- ventilation
- signal transmissions.





THERMOSTAT WI286

Two thermostats in one casing:

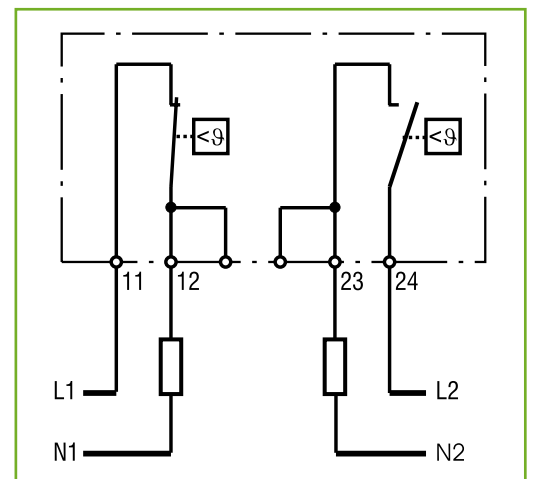
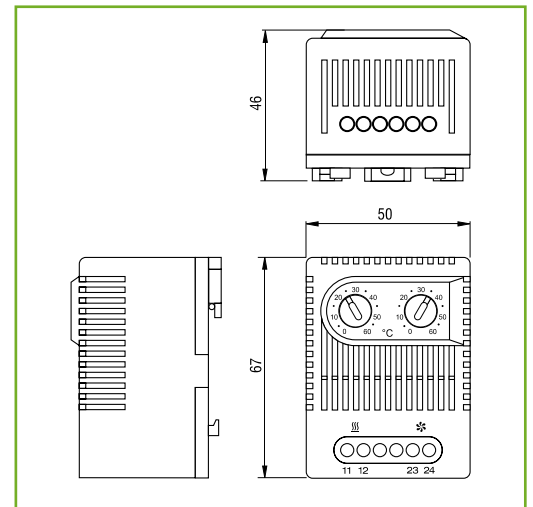
- thermostat (contact breaker, normally closed) for regulation heaters
- thermostat (contact breaker, normally open) for regulation filter fans and heat exchangers or switching signal devices when temperature limit has been exceeded.

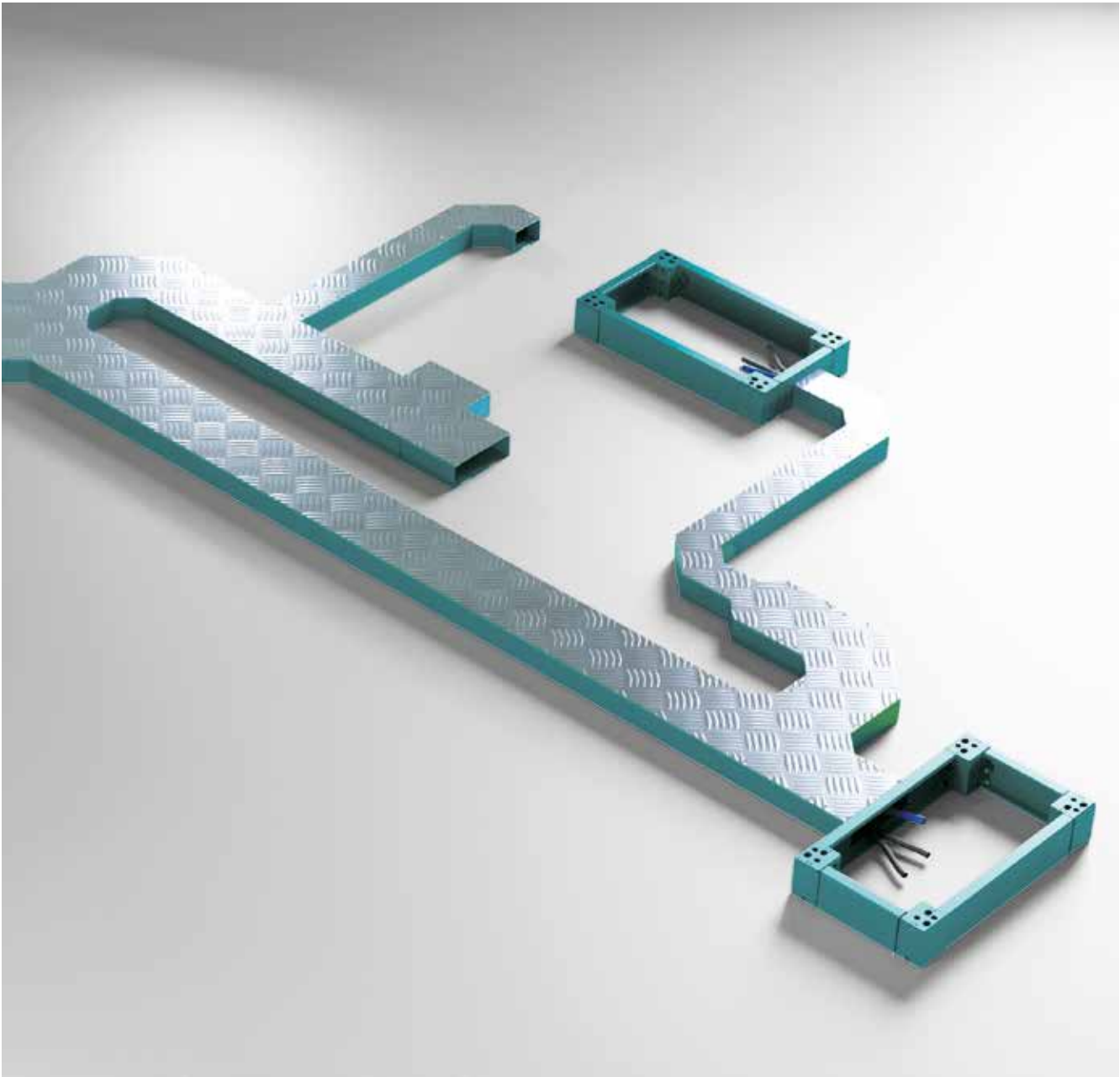
TECHNICAL FEATURES

Adjustment range (NC – NO): 0° ÷ 60°C
 Maximum opening capacity: 250 V AC, 10 (2) A / 120 V AC, 10 (2) A – DC 30 W
 Working life: > 100.000 cycles
 Connections: 2,5 mm², 4 poles
 Fixing: clip fixing on 35 mm DIN rails
 Housing: UL 94 VO thermoplastic material
 Dimensions: 50 x 67 x 46 mm.

PROTECTION RATING

IP20.





e rivi

CABLE TRAY SYSTEM

The efficiency and operation of a plant depend on the quality of its constituent elements: in this respect, and in order to deliver a real “complete system”, ETA offers a system of walk-able cable conduits for floor installation.

STURDY construction based on the use of sheet steel for the manufacturing of elements.

SAFETY guaranteed by the checkerplate alloyed aluminium coating, non-slipping and walk-able.

PROTECTION of the cabling system from the conduit and crosspiece front system of the plinth.

MODULAR composition based on elements of different lengths that build up the system and allow to create different combinations.

FLEXIBLE system composition with different modules and connections (star, T-shaped, L-shaped, etc) to meet different installation requirements.

EASY assembling thanks to the element hanging system with quick snap-in mechanism.

PLINTH FRONT CROSSPIECE FOR CABLE CONDUIT EUZE

CHARACTERISTICS

Manufactured from press bent sheet steel.

PAINT FINISH

ETA standard finishing cycle: paint-based primer with deposition by cataphoresis with epoxy resin and finishing using thermosetting powders. Colour: RAL 5020 textured finish.



SUPPLY

One front crosspiece for cable conduit and one blank front crosspiece

- Type 1: a drilled crosspiece for flanges (flanges to be ordered separately, see codes on page 243) and a blank crosspiece
- Type 2: one crosspiece with adjustable flange and one blank crosspiece.

To complete the modular plinth, please order:

- corner pieces: supply includes 4 pieces complete with front covers and mounting hardware
- side crosspieces: supply includes 2 pieces.

To complete the plinth, see page 62.

PLINTH CROSSPIECE FOR CABLE CONDUIT

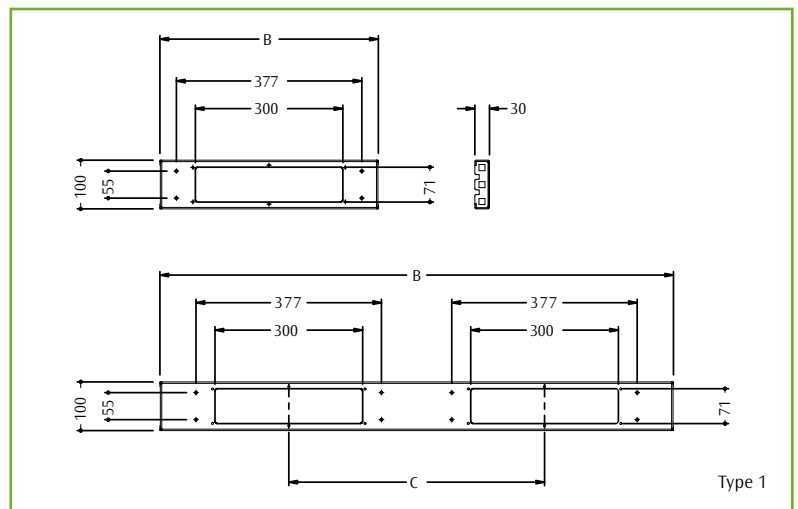
EUZE CODE	DESCRIPTION
EUZE-T0600CN1	PLINTH CROSSPIECES TYPE 1 W=600
EUZE-T0800CN1	PLINTH CROSSPIECES TYPE 1 W=800
EUZE-T1000CN1	PLINTH CROSSPIECES TYPE 1 W=1000
EUZE-T1200CN1	PLINTH CROSSPIECES TYPE 1 W=1200
EUZE-T1400CN1	PLINTH CROSSPIECES TYPE 1 W=1400
EUZE-T1600CN1	PLINTH CROSSPIECES TYPE 1 W=1600

PLINTH CROSSPIECE FOR CABLE CONDUIT

EUZE CODE	DESCRIPTION
EUZE-T0600CN2	PLINTH CROSSPIECES TYPE 2 W=600
EUZE-T0800CN2	PLINTH CROSSPIECES TYPE 2 W=800
EUZE-T1000CN2	PLINTH CROSSPIECES TYPE 2 W=1000
EUZE-T1200CN2	PLINTH CROSSPIECES TYPE 2 W=1200
EUZE-T1400CN2	PLINTH CROSSPIECES TYPE 2 W=1400
EUZE-T1600CN2	PLINTH CROSSPIECES TYPE 2 W=1600

DIMENSIONAL SPECIFICATIONS

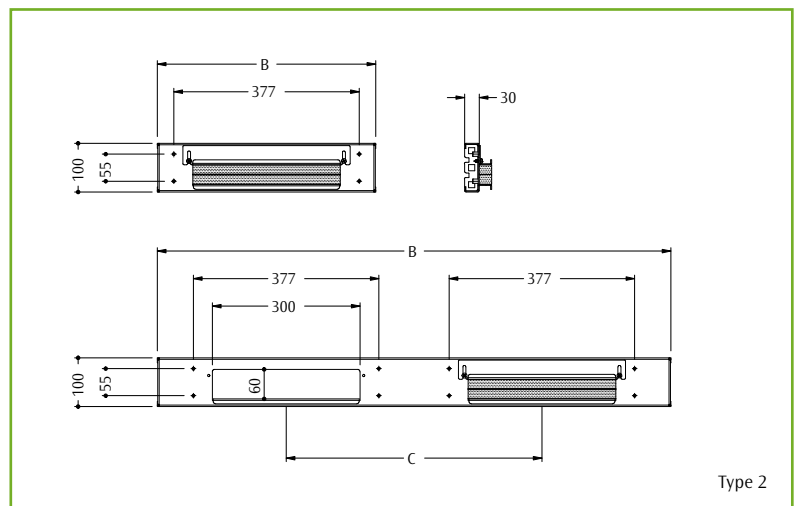
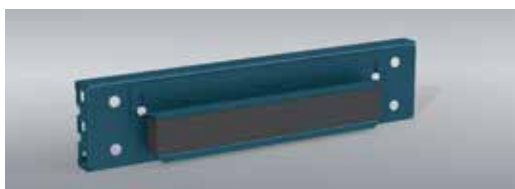
CABINET WIDTH	B	NO. OF FLANGES	C
600	444	1	—
800	644	1	—
1000	844	1	—
1200	1044	2	520
1400	1244	2	620
1600	1444	2	720



Type 1

DIMENSIONAL SPECIFICATIONS

CABINET WIDTH	B	NO. OF FLANGES	C
600	444	1	—
800	644	1	—
1000	844	1	—
1200	1044	2	520
1400	1244	2	620
1600	1444	2	720



Type 2

Cable tray

FLANGE FOR CROSSPIECES TYPE 1

CHARACTERISTICS

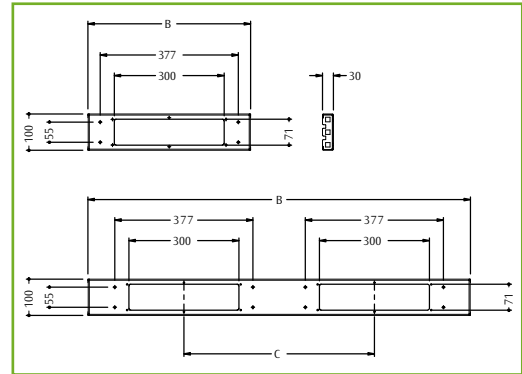
Manufactured from sheet steel.

PAINT FINISH

ETA standard finishing cycle: paint-based primer with deposition by cataphoresis with epoxy resin and finishing using thermosetting powders. Colour: RAL 5020 textured finish.

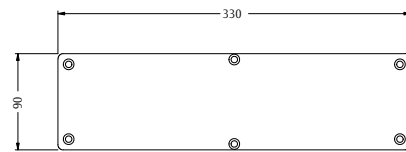
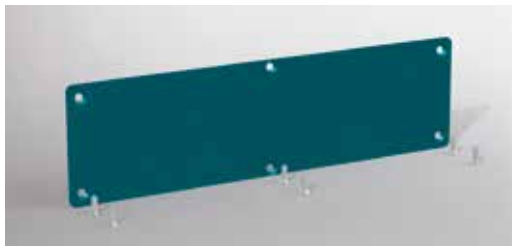
SUPPLY

Includes 1 piece complete with mounting accessories.



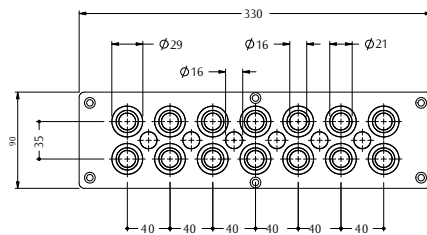
EUZE-FA001

BLANK FLANGE



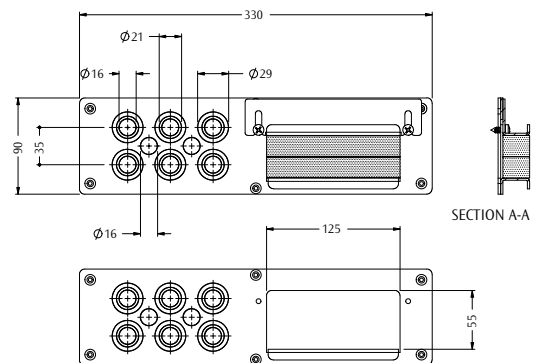
EUZE-FB001

PRE-DRILLED FLANGE FOR CABLE GLAND



EUZE-FC001

PRE-DRILLED FLANGE FOR CABLE GLAND + CABLE SPONGE



CONDUIT-PLINTH CONNECTION EUCN200CZ

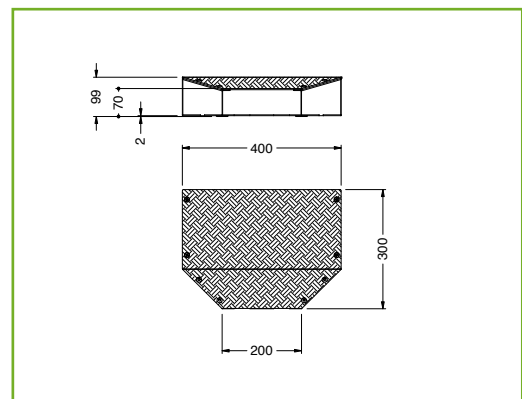
To simplify the installation of incoming and outgoing cables and the connection of cables inside the cabinet.

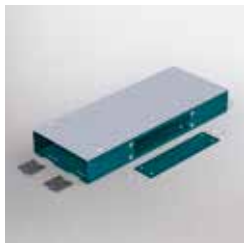
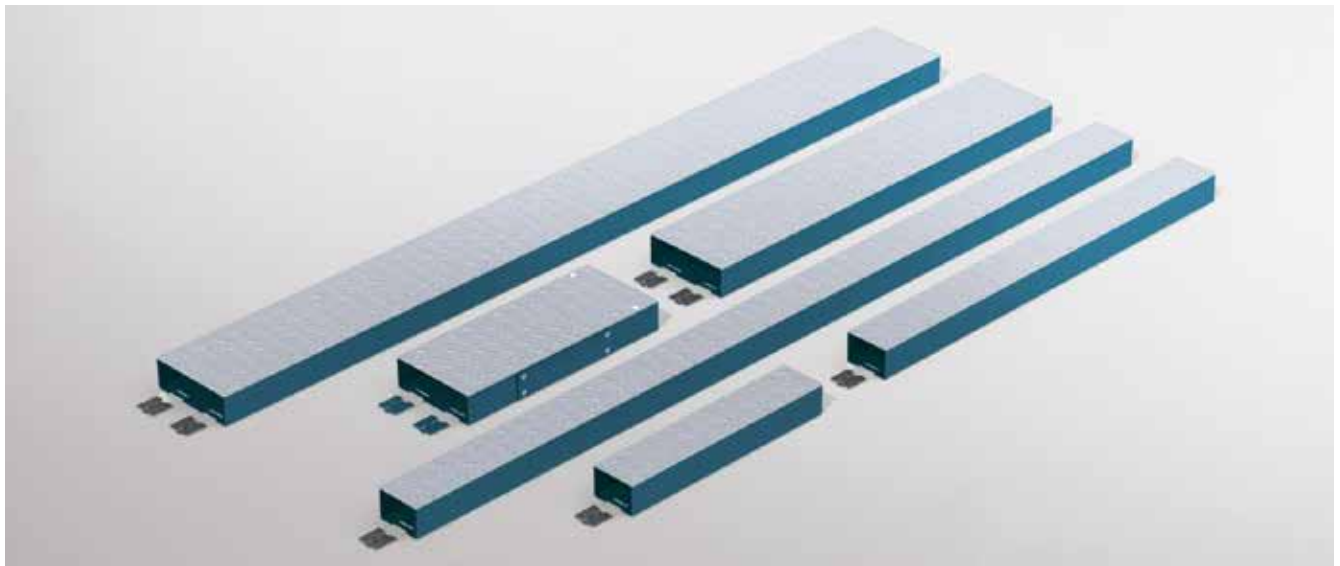
CHARACTERISTICS/SUPPLY

Manufactured from sheet steel with M6x15 stud and checkerplate alloyed aluminium coating. Supply includes one piece with mounting accessories.

PAINT FINISH

ETA standard finishing cycle: paint-based primer with deposition by cataphoresis with epoxy resin and finishing using thermosetting powders. Colour: RAL 5020 textured finish.





CONDUIT BASE EUCN

Available in 100 and 200 mm widths, it is delivered in three standard lengths of 500, 1000 and 2000 mm to meet different application requirements (blank, with flanges EUCN-F or for joining with cable bundling EUCN-C).

CHARACTERISTICS/SUPPLY

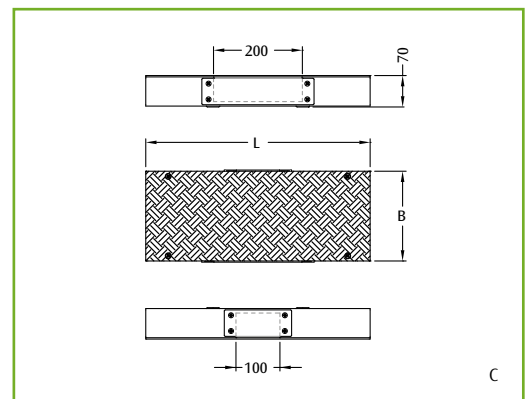
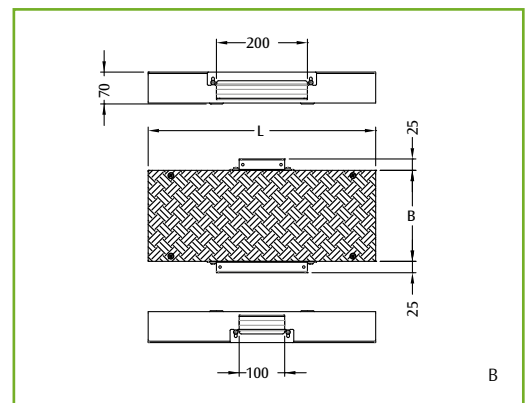
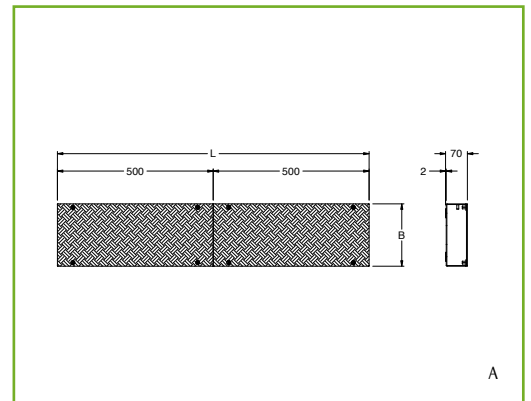
Manufactured from sheet steel with M6x15 stud and checkerplate alloyed aluminium coating. Supply includes one piece with mounting accessories. Conduit base supplied in a single piece, covers manufactured from checkerplate alloyed aluminium coating L = 500 mm.

PAINT FINISH

ETA standard finishing cycle: paint-based primer with deposition by cataphoresis with epoxy resin and finishing using thermosetting powders. Colour: RAL 5020 textured finish.



CONDUIT BASE				
	EUCN CODE	DIMENSIONS		NO. FLANGES
		L	B	
A	EUCN05010	500	100	-
A	EUCN05020	500	200	-
A	EUCN10010	1000	100	-
A	EUCN10020	1000	200	-
A	EUCN20010	2000	100	-
A	EUCN20020	2000	200	-
B	EUCN05010F	500	100	2
B	EUCN05020F	500	200	2
C	EUCN05010C	500	100	2
C	EUCN05020C	500	200	2





CONDUIT BASE CLOSING MODULE

CHARACTERISTICS/SUPPLY

Manufactured from sheet steel, with a checkerplate alloyed aluminium coating, available in blank version or with cable entry. Supply includes one piece with mounting accessories.

PAINT FINISH

ETA standard finishing cycle: paint-based primer with deposition by cataphoresis with epoxy resin and finishing using thermosetting powders. Colour: RAL 5020 textured finish.



CONDUIT BASE CLOSING MODULE		
EUCN CODE	WIDTH	VERSION
EUCN100CC	100	BLANK
EUCN100CF	100	WITH CABLE ENTRY
EUCN200CC	200	BLANK
EUCN200CF	200	WITH CABLE ENTRY



90-DEGREE WALL FLANGE EUCN200PA

For simplified cable rise to the machine or to the wall.

CHARACTERISTICS/SUPPLY

Manufactured from sheet steel with M6x15 stud and checkerplate alloyed aluminium coating. Supply includes one piece with mounting accessories.

PAINT FINISH

ETA standard finishing cycle: paint-based primer with deposition by cataphoresis with epoxy resin and finishing using thermosetting powders. Colour: RAL 5020 textured finish.




TELESCOPIC ELEMENT

CHARACTERISTICS/SUPPLY

Manufactured from sheet steel with M6x15 stud and checkerplate alloyed aluminium coating. Supply includes one piece with mounting accessories.

PAINT FINISH

ETA standard finishing cycle: paint-based primer with deposition by cataphoresis with epoxy resin and finishing using thermosetting powders. Colour: RAL 5020 textured finish.



TELESCOPIC ELEMENT	
EUCN CODE	WIDTH
EUCN200TLA	125-250
EUCN200TLB	250-500



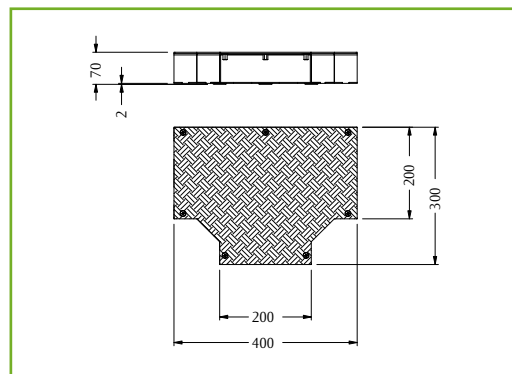
T-JOINT EUCN200RT

CHARACTERISTICS/SUPPLY

Manufactured from sheet steel with 2 studs M6x15 and checkerplate alloyed aluminium coating. Supply includes one piece with mounting accessories.

PAINT FINISH

ETA standard finishing cycle: paint-based primer with deposition by cataphoresis with epoxy resin and finishing using thermosetting powders. Colour: RAL 5020 textured finish.



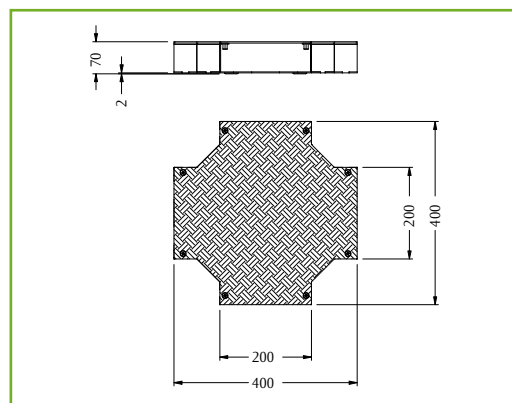
STAR JOINT EUCN200RS

CHARACTERISTICS/SUPPLY

Manufactured from sheet steel with 2 studs M6x15 and checkerplate alloyed aluminium coating. Supply includes one piece with mounting accessories.

PAINT FINISH

ETA standard finishing cycle: paint-based primer with deposition by cataphoresis with epoxy resin and finishing using thermosetting powders. Colour: RAL 5020 textured finish.



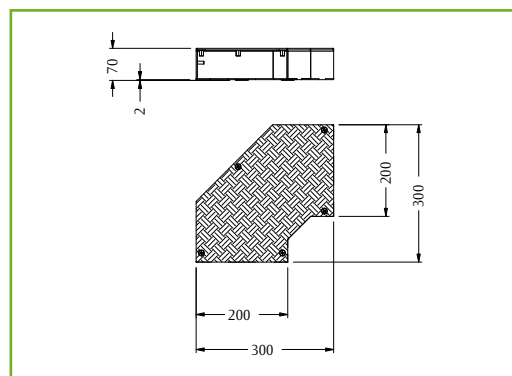
90-DEGREE JOINT W=200 EUCN200RA

CHARACTERISTICS/SUPPLY

Manufactured from sheet steel with 2 studs M6x15 and checkerplate alloyed aluminium coating. Supply includes one piece with mounting accessories.

PAINT FINISH

ETA standard finishing cycle: paint-based primer with deposition by cataphoresis with epoxy resin and finishing using thermosetting powders. Colour: RAL 5020 textured finish.



CABLE BUNDLING W=200 EUCN200CO

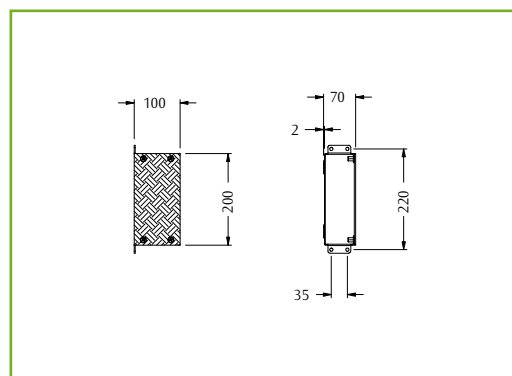
To allow the cable exit from the plinth. Punched plinth crosspieces are available upon request.

CHARACTERISTICS/SUPPLY

Manufactured from sheet steel and checkerplate alloyed aluminium coating. Supply includes one piece with mounting accessories.

PAINT FINISH

ETA standard finishing cycle: paint-based primer with deposition by cataphoresis with epoxy resin and finishing using thermosetting powders. Colour: RAL 5020 textured finish.





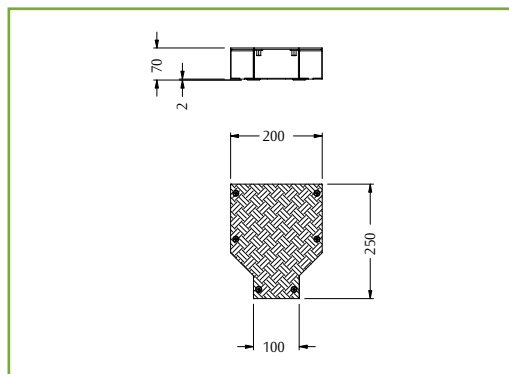
CONDUIT 200/100 REDUCER JOINT EUCN200RC

CHARACTERISTICS/SUPPLY

Manufactured from sheet steel with M6x15 stud and checkerplate alloyed aluminium coating. Supply includes one piece with mounting accessories.

PAINT FINISH

ETA standard finishing cycle: paint-based primer with deposition by cataphoresis with epoxy resin and finishing using thermosetting powders. Colour: RAL 5020 textured finish.



CABLE BUNDLING W=100 EUCN100C0

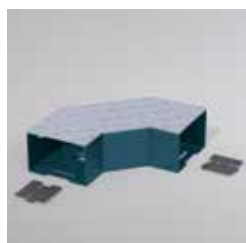
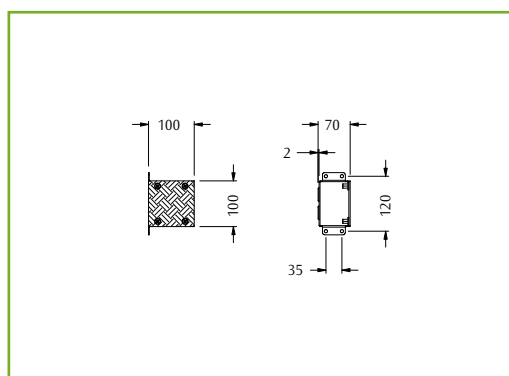
To allow the cable exit from the plinth. Punched plinth crosspieces are available upon request.

CHARACTERISTICS/SUPPLY

Manufactured from sheet steel and checkerplate alloyed aluminium coating. Supply includes one piece with mounting accessories.

PAINT FINISH

ETA standard finishing cycle: paint-based primer with deposition by cataphoresis with epoxy resin and finishing using thermosetting powders. Colour: RAL 5020 textured finish.



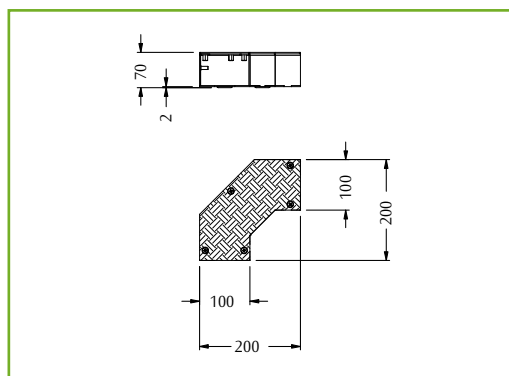
90-DEGREE JOINT W=100 EUCN100RA

CHARACTERISTICS/SUPPLY

Manufactured from sheet steel with 2 studs M6x15 and checkerplate alloyed aluminium coating. Supply includes one piece with mounting accessories.

PAINT FINISH

ETA standard finishing cycle: paint-based primer with deposition by cataphoresis with epoxy resin and finishing using thermosetting powders. Colour: RAL 5020 textured finish.



HOW TO ORDER THE CABLE TRAY SYSTEM

Evaluate the area on the side of the machine that is available for the cable system.

Identify the dimension of the front/rear plinth crosspiece (EUZE-T...CN...) and the type (CN1 or CN2).

I.e. L=EUZE-T0600CN1 – A front crosspiece for each conduit with 1 flange and a rear blank crosspiece.

In case you order type 1, you have to complete the order with one of the three types of closing flanges EUZE-F (flange doesn't change with different plinth width).

Order the conduit-plinth joint EUCN200CZ (which is compatible with any plinth width because the flange opening is the same).

Complete your order by choosing among the alternatives of the conduit base EUCN (available in various length and in 100 mm or 200 mm width) and the standard joints.

Please remind that the standard width of the joints is 200 mm; it is available the conduit 200/100 reducer joint EUCN200RC to join together the conduit base L=100 and the other elements.





CREATED WITH PASSION

TECHNICAL SECTION

PRACTICAL GUIDANCE ON THE GENERAL SAFETY REQUIREMENTS FOR ENCLOSURES AND SWITCHGEAR AND CONTROLGEAR ASSEMBLIES

In an electrical panel (assembly) the following parts can be distinguished: an ENCLOSURE (support and protection of components housed inside it) and ELECTRICAL EQUIPMENT (devices, connections and terminals).

- **Primary distribution boards (Power Center - PC):** generally installed in the substation downstream of the MV/LV transformers or generators. Primary distribution boards have a high design current and short circuit withstand capability. The Power Center board represents the first level of LV distribution and includes one or more input units, bar connectors and is generally divided into functional units.
- **Secondary distribution boards:** the design current and short circuit withstand capability are lower than those of Power Centers. They represent the second level of energy distribution and include a wide category of assemblies.
- **Motor control center - MCC:** designed for the centralised control and protection of motors, they include the related switching and protection equipment and the auxiliary control and signalling equipment. Unlike the Power Center, each compartment does not contain just one switch/device, but all of the protection, control and signalling components intended for the control of each motor.
- **Control, measurement and protection boards:** they mainly contain equipment designed for the command, control and measurement of industrial plants and processes.
- **On board assemblies:** similar to those above from a functional point of view, these allow the machine to interface with the power supply source and with the operator.

All of these components must be designed and assembled to meet the safety requirements and be suitable for the specific physical ENVIRONMENT and OPERATING conditions of its intended use.

The assemblies are constructed in according to best practices if they comply with the requirements described in the product standards:

- EN61439 part 1 and part 2
- EN60204 part 1
- EN62208

harmonised, i.e. recognised, by European Directives:

- LV Dir.: 2014/35/EC
- MV Boards Dir.: 2014/35/EC
- EMC Dir.: 2014/30/EC
- ATEX Dir.: 2014/34/EC.

The operating conditions are specified in terms of:

- 1 Corrosive agents, atmospheric agents (corrosion resistance)
- 2 Solar radiation (resistance to UV rays)
- 3 Strength of materials (lifting, IK mechanical impact, short circuit)
- 4 IP protection rating
- 5 Electromagnetic sources (EMC compatibility)
- 6 Over-temperatures and condensation
- 7 Presence of gas, dust and mists that can create potentially explosive atmospheres (ATEX).








SYSTEM CERTIFICATIONS			CONFORMITY OF MATERIAL
IMQ DIRECTIVE 2014/34/UE			
UE	Italy/World	Italy/World	UE
IMQ	IMQ	IMQ	–
EN ISO IEC 80079-34	UNI EN ISO9001	ISO45001	2011/65/EU 2015/863/EU



INDUSTRIAL AUTOMATION					PRODUCT CERTIFICATIONS							
PAGE	PRODUCTS	IP / IK	NEMA	ZONE								
16	Suite Cabinets	E NUX	IP55 IK10	NEMA 1, 12 [NEMA 4 on request]	zone 1, 2, 21, 22 II2GD Ex h	●		●	●	●	●	●
134	PC Cabinets	EUPC	IP55 IK10	–	–				●			
95	Monobloc Cabinets	E MOX	IP66 (single door) IP55 IK10	NEMA 1, 12 [NEMA 4 on request]	zone 1, 2, 21, 22 II2GD Ex h	●		●	●	●	●	●
109	Compact Solutions	E COMP	IP55 IK10	NEMA 1, 12 [NEMA 4 on request]	zone 1, 2, 21, 22 II2GD Ex h	●		●	●	●	●	●
161	Wall-mounting boxes	E COR	IP66 (single door) IP55 IK10	NEMA 1, 12, 4*, 3R	zone 1, 2, 21, 22 II2GD Ex h	●		●	●	●	●	●
233	Wall-mounting boxes	ST-EE	IP66 IK10	NEMA 1, 12, 4	zone 1, 2, 21, 22 II2GD Ex eb tb	●		●	●	●	●	●
186	Terminal boxes	SDV SDF	IP66 IK10	NEMA 1, 12, 4	zone 1, 2, 21, 22 II2GD Ex h	●		●	●	●	●	●
156	Rack Boxes	CR	IP55 IK10	–	–				●			
204	Monobloc Control Desks	ZBA SBA	IP55 IK10	NEMA 1, 12	–	●			●			
200	Modular Control Desks	AE ME	IP55 IK10	NEMA 1, 12	–	●			●			
271	Operator Interface Housing	BIONIQ BST	–	NEMA 1	–	●			●			
329	Exhaust fan	WTSV	IP54	NEMA 1, 12	–		●		●			

USA / Canada	Germany	Italy	UE	UE / World	EurAsian Community	UE / World
UL International	TUV Rheinland	RINA	CE	EX	EAC	EX IECEx
UL508A UL 50 C22.2 n.14-95 e CAN/CSAC22.2 n.94-M91	EN62208 DIN40050 (IP69K)	Naval industry	LV Directive EN62208	Atex Directive	TR CU	Atex directive and IECX scheme EN IEC60079 standard

* NEMA 1, 12 for doble door, plexi door

HARSH ENVIRONMENTS						PRODUCT CERTIFICATIONS						
PAGE	PRODUCTS	IP / UK	NEMA	ZONE								
214	Suite Cabinets	E NUX INOX	IP55 IK10	NEMA 1, 12 [NEMA 4X on request]	zone 1, 2, 21, 22 II2GD Ex h	●	●	●	●	●	●	
224	Monobloc Cabinets	E MOX INOX	IP66 (single door) IP55 IK10	NEMA 1, 12 [NEMA 4X on request]	zone 1, 2, 21, 22 II2GD Ex h	●	●	●	●	●	●	
226	Compact enclosures	E COMP INOX	IP55 IK10	NEMA 1, 12 [NEMA 4X on request]	zone 1, 2, 21, 22 II2GD Ex h	●	●	●	●	●	●	
230	Wall-mounting boxes	E COR INOX	IP66 IK10	NEMA 1, 12, 4X*, 3R	zone 1, 2, 21, 22 II2GD Ex h	●	●	●	●	●	●	
233	Wall-mounting boxes	E COR-EE INOX	IP66 IK10	NEMA 1, 12, 4X, 3R	zone 1, 2, 21, 22 II2GD Ex eb tb	●	●	●	●	●	●	
240	Boxes With Sloped Roof	E COR-TX INOX	IP66 IK10	NEMA 1, 12, 4X, 3R	–	●	●	●	●	●	●	
238	Terminal boxes	E GRAN INOX	IP66 IP69K IK10	NEMA 1, 12, 4X	zone 1, 2, 21, 22 II2GD Ex h	●	●	●	●	●	●	
239	Pushbutton Boxes	SHX	IP66 IP69K IK10	NEMA 1, 12, 4X	–	●	●	●	●	●	●	
A.o.R.	Pushbutton Boxes	SHX-EEEX	IP66 IP69K IK10	NEMA 1, 12, 4X	zone 1, 2, 21, 22 II2GD Ex eb tb	●	●	●	●	●	●	
241	Monobloc Control Desks	ZBX SBX	IP55 IK10	NEMA 1, 12	–	●	●	●	●	●	●	
242	Modular Control Desks	AEX MEX	IP55 IK10	NEMA 1, 12	–	●	●	●	●	●	●	
253	Solution for Outdoor Applications	E VIS	IP56 (single door) IP55 IK10	–	–	●	●	●	●	●	●	
264	EMC Solutions	E NUX-ESTE SDVE	–	NEMA 1	–	●	●	●	●	●	●	

USA / Canada	Germany	Italy	UE	UE / World	EurAsian Community	UE / World
UL International	TUV Rheinland	RINA	CE	EX	EAC	EX IECEx
UL508A UL 50 C22.2 n.14-95 and CAN/CSAC22.2 n.94-M91	IEN EN62208 DIN40050 (IP69K)	Naval industry	LV Directive EN62208	Atex Directive	TR CU	Atex directive and IECX scheme EN IEC60079 standard

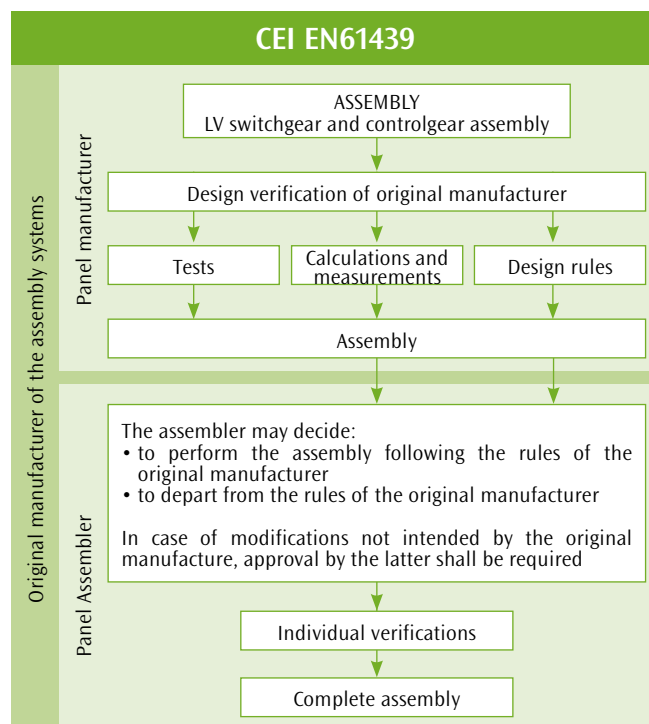
* NEMA 1, 12 for doble door, plexi door

FOCUS ON TYPE TEST ACCORDING TO EN61439-1

N°	PAGE	CHARACTERISTICS TO BE VERIFIED	CLAUSES OR SUBCLAUSES	VERIFICATION OPTIONS		
				VERIFICATION BY TESTING	VERIFICATION BY CALCULATION	VERIFICATION BY DESIGN RULES
	374	Strength of materials and parts of the ASSEMBL	10.2 ■			
	362	Resistance to corrosion	10.2.2 ■	YES	NO	NO
	359	Properties of insulating materials	10.2.3 ■			
	–	Thermal stability	10.2.3.1 ■	YES	NO	NO
	–	Resistance of insulating material to normal heat	10.2.3.2 ■	YES	NO	NO
1	–	Resistance of insulating material to abnormal heat and fire due to internal electric effects	10.2.3.3 ■	YES	NO	NO
	362	Resistance to ultra-violet (UV) radiation	10.2.4 ■	YES	NO	NO
	357	Lifting	10.2.5 ■	YES	NO	NO
	359	Mechanical impact	10.2.6 ■	YES	NO	NO
	359	Marking	10.2.7 ■	YES	NO	NO
2	358	Degree of protection of enclosures	10.3 ■	YES	NO	YES
3	–	Clearance and creepage distances	10.4	YES	YES	YES
	–	Protection against electric shock and integrity of protection circuits	10.5	YES		
4	–	Effective continuity between the exposed conductive parts of the assembly and the protective circuit	10.5.2	YES	NO	NO
	–	Effectiveness of the assembly for external faults	10.5.3		YES	YES
5	–	Installation of switching devices and components	10.6	NO	NO	YES
6	–	Internal electrical circuits and connections	10.7	NO	NO	YES
7	–	Terminals for external conductors	10.8	NO	NO	YES
	–	Dielectric properties	10.9			
8	–	Power frequency withstand voltage	10.9.2	YES	NO	NO
	–	Impulse withstand voltage	10.9.3	YES	NO	YES
9	363	Temperature-rise limits	10.10 ■	YES	YES	YES
10	360	Short-circuit withstand	10.11 ■	YES	YES	YES
11	375	Electromagnetic compatibility (EMC)	10.12 ■	YES	NO	YES
12		Mechanical operation	10.13	YES	NO	NO

The verifications listed in point 1 do not need to be repeated by the assembly manufacturer if the enclosure has already been verified by the manufacturer in accordance with EN62208 (a benefit - in terms of costs and time - to take into consideration when selecting the enclosure manufacturer).

■ Verified by ETA.



FOCUS ON TYPE TEST REQUIREMENTS OF EN62208

TESTS	CLAUSE	REQUIREMENT APPLIED BY ETA	SEE ON PAGE
Marking	9.3	•	356
Static loads	9.4	•	357
Lifting	9.5	•	357
Axial loads of metal inserts	9.6	•	
Degree of protection against mechanical impacts (IK code)	9.7	•	359
Degree of protection (IP code)	9.8	•	358
Thermal stability	9.9.1	•	
Resistance to normal heat	9.9.2	•	
Resistance to abnormal heat and to fire	9.9.3	•	
Dielectric strength	9.10	•	360
Continuity of the protective circuit	9.11	•	360
Resistance to ultra-violet (UV) radiation	9.12	•	362
Resistance to corrosion	9.13	•	362
Thermal power dissipation capability	9.13	•	

INSTALLATION ENVIRONMENTS

As required by the EN 62208 standard, ETA specifies that the enclosures are designed to be installed indoors, under the normal conditions indicated below. For outdoor applications, the installer must specify whether the conditions are normal or special. If this information is not provided, the normal conditions for indoor installations will always be assumed.

The enclosures compliant with the EN 62208 standard are intended to be utilized under the following conditions.

INSTALLATION UNDER NORMAL CONDITIONS			
		INDOOR	OUTDOOR
TEMPERATURE	Upper ambient air temperature limit	+40°C	+40°C
	Lower ambient air temperature limit	-5°C	-25°C
	Average temperature value in relation to a 24H period	+35°C	+35°C
HUMIDITY	Relative humidity (moderate condensation may occasionally form due to temperature changes)	The humidity level must not exceed 50% at a maximum temperature of +40°C. A higher relative humidity level is permitted at lower temperatures (e.g. 90% at +20°C)	It may temporarily reach 100% at a maximum temperature of +25°C

INSTALLATION UNDER SPECIAL CONDITIONS

If one of the following special conditions is present, the special requirements to be applied must be agreed between the user and the manufacturer:

- Special ambient air temperature and humidity
- Presence of corrosive substances
- Presence of specific dusts (coal, cement, etc.)
- Unusual mechanical stresses (seismic, etc.)
- Presence of flora, fauna, or mould
- Ionizing influences
- Electromagnetic interference
- Vibrations
- UV radiation, other than solar radiation.

TRANSPORT AND STORAGE CONDITIONS

A special agreement must be made between the enclosure's manufacturer and the user if the transport, storage and installation conditions (e.g. the temperature and humidity conditions) deviate from those indicated under the "Normal conditions".

CE MARKING (FOR THE EUROPEAN MARKET)

The manufacturer (or the party bearing responsibility for the wired assembly) is required to affix a clearly visible plate during installation and operation of the assembly.

The enclosure, in turn, must be identified by a plate or marking that permits the manufacturer of the assembly to obtain information on the type of enclosure and the manufacturer. The manufacturer's plate may be inserted inside it and should not be confused with the plate for the wired assembly. ETA products are equipped with internal marking indicating the trademark, model and the logos of the third party certification bodies.

CE Marking, compulsory for the EU market, is the "visual sign of conformity of a product to the requirements of applicable directives". The other certifications represent voluntary and responsible compliance to the minimum requirements of product standards.

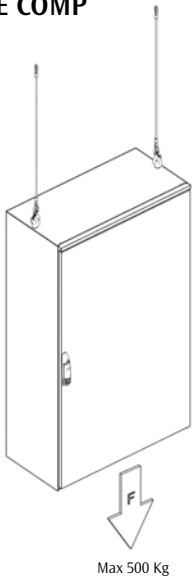


LIFTING CRITERIA

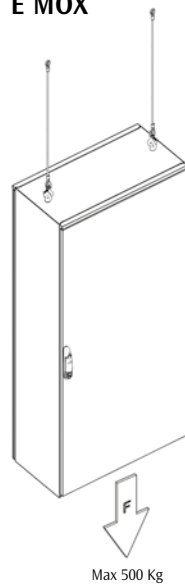
The test was carried out according to EN62208 for static and dynamic lifting in order to guarantee the description below. If the lifting is from above, using ropes in good condition and of the proper size for lifting. The units must be hooked with lifting eyebolts, with brackets or, in case of batteries, with lifting crosspieces as instructed below. In case of lifting with a forklift or pallet truck, take care to lift with the forks properly spaced.



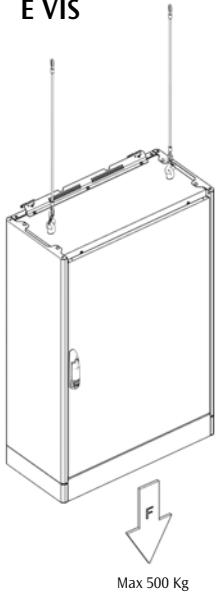
E COMP



E MOX



E VIS



E NUX



STATIC AND DYNAMIC LIFTING

Carried out with TÜV Rheinland



90°

The angle at the rope junction must be 90°



The loads inside the cabinet are intended as equally distributed throughout the volume



The angle at the rope junction must not exceed 60°




The loads inside the cabinet are intended as equally distributed throughout the volume

DEGREE OF PROTECTION IP (EN60529 / DIN 40050-9)

Protection against direct contact with live parts of the assembly must be guaranteed. The enclosure is designed to ensure protection of equipment against specific external influences and protection in all directions from direct contact, with a protection rating of at least IP2X.




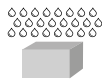




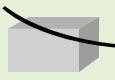
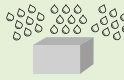




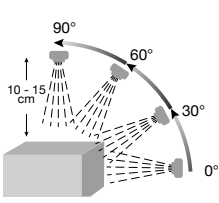
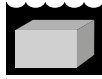
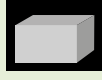
Protection against indirect contacts (i.e. protection against faults) is achieved using insulation.

The enclosure manufacturer guarantees the protection rating of its product as sold, i.e. empty. The assembly manufacturer is responsible for the definition of the protection rating of the complete and finished assembly (through testing or through design verification analysis). Where an empty enclosure in accordance with EN62208 is used, and no external modification has been made that may result in deterioration of the protection rating, no further testing is required.

 The openings made for cable entries and/or for installing the devices, may lower the protection rating: therefore, it is important that the holes are made according to best practices and that seals are used to ensure, by the manufacturer, that the initial conditions are maintained, where possible. If this is not possible, the protection rating of the enclosure must be downgraded (it cannot be less than IP2X).

It is important to keep in mind that the higher the protection rating, the greater the reduction in value of natural power dissipation from the enclosure (see paragraph).

The degree of protection IP is essentially defined by two characteristic numerals:

IP 1ST DIGIT = SOLID		IP 2ND DIGIT = LIQUID/GAS	
0	 No protection	0	 No protection
1	 Protection against solid bodies above 50 mm (E.G. Involuntary hand contact)	1	 Protection against vertically falling water drops
2	 Protection against solid bodies above 12 mm (e.G. Finger)	2	 Protection against water drops falling with up to 15° inclination
3	 Protection against solid bodies above 2.5 mm (tools, wires)	3	 Protection against water splashes from all directions
4	 Protection against solid bodies above 1 mm (thin tools, thin threads)	4	 Protection against water splashes from all directions
5	 Protection against dust (no noxious deposits)	5	 Protection against jets of water from all directions
6	 Total tightness to dust	6	 Protection against water splashes similar to sea waves
 <p>IP69K (according to DIN 40050-9) Rating for high-pressure, high-temperature wash-down applications. A spray nozzle fed with 80°C water at 80-100 bar and a flow rate of 14-16 L/min.</p>		7	 Protection against immersion
		8	 Protection against submersion

IP SEALS

Generally, the enclosure has a seal applied around the perimeter of all closing panels (doors, side panels, rear panels, covers).

POLYURETHANE SEAL

HF1 fire resistance (as per standard UL94).
Temperature: $-40^{\circ}\text{C} < T < 100^{\circ}\text{C}$.

EMC GASKETS

Made of 3 parts: an EPDM core (ensuring the protection rating), a metal fabric coating (that ensures dielectric continuity between the structure and panels) and non-woven double-sided tape, very tough and applied on one side (ensuring adherence and resistance).
Optimal environmental conditions for use: temperature: $-40^{\circ}\text{C} < T < 100^{\circ}\text{C}$.

SILICONE GASKET

Used on the ranges of stainless steel ETA products, it is resistant to most detergents, hot water jets and is easy to clean.
Optimal environmental conditions for use: temperature: $-50^{\circ}\text{C} < T < 200^{\circ}\text{C}$.

IK RATING (ACCORDING TO EN62262)

Indicates the level of protection provided by the enclosure to the equipment against harmful external mechanical impacts (including vandalism).
The test is carried out by applying impact energy, as outlined below: after the test, there must be no failure or deformation likely to compromise the IP rating.
All ETA products are marked with the maximum rating IK10 = maximum resistance corresponding to the impact of a 5 kg object thrown from a distance of 40 cm.

IK CODE	IK00	IK01	IK02	IK03	IK04	IK05	IK06	IK07	IK08	IK09	IK10
Impact energy Joule	0,00	0,14	0,20	0,35	0,50	0,70	1,00	2,00	5,00	10,00	20,00

NEMA (TYPE)

For Canada and America, the protection degree is defined as NEMA or TYPE and it also indicates the type of use (indoor and outdoor), not only protection from solids and liquids.

NEMA TYPE		NEMA National Electric Manufacturers Association (NEMA 250) Ed Eemac Electrical and Electronic Manufacturers Association Of Canada UI Underwriters Laboratories, Inc.
1	Indoor use	Protection of contact with internal equipment.
4	Indoor and outdoor use	Protection against rain, snow and wind-blown dust, sprayed and direct water, and damage due to external icing
12	Indoor use	Protection against dust, falling dirt and non-corrosive dripping fluids.
3R	Outdoor use	Protection against heavy rain and light snow. It prevents ice formation on the inside.
4X	Indoor and outdoor use	Protection against corrosion, wind-blown dust, rain, water sprays and water jets from hoses. It prevents ice formation on the inside.



EARTH CONNECTION (CONTINUITY OF THE PROTECTIVE CIRCUIT)

The electrical panel (assembly), consisting of an enclosure with equipment and connection conductors, to provide protection against indirect contacts, must have the exposed conductive parts earthed by means of a protective circuit.

A suitable sized conductor is required for earthing any accessible parts of the enclosure where the devices are installed or for any part that could become live under fault conditions (e.g. insulation fault of a cable etc.). However, if no equipment is installed, the contact made with screws and metal hinges between the structure and assembly is sufficient for achieving equipotential bonding. All external metal parts that are not likely to come into contact with internal live parts, or that cannot be touched, do not need to be earthed.

The ETA product range includes earthing materials (screws, nuts and washers) and the instructions for correct installation. The E NUX cabinet fully meets all earthing requirements: its structure can be used as a conductor, as long as the screws that comprise the load bearing structure are properly tightened using the toothed lock washer, that will cut into the paint and therefore create electrical continuity between the welded joint on the upright and the welded portion of the crosspieces. The assembly manufacturer can connect the panels to the structure electrically, then the structure to the main protective bonding circuit, and the latter to the earthing system. In this way all of the exposed conductive part of the enclosure, identified as such by the assembly manufacturer, will be earthed and equipotential to each other. The measurement methods used are those specified in clause 9.11 of standard IEC EN62208.

SHORT CIRCUIT

The short circuit withstand rating, specified by the original manufacturer of the assembly, must be verified by application of design rules, calculation or testing. The assembly must be manufactured to withstand thermal or dynamic stress up to the established short circuit values.

The ETA suite cabinet system with ETA tested busbar system and supports is complying with 61439-1-2.

ABB S.p.A. - ABB SACE Division **ABB**

TEST REPORT LBRP 1411600 (Rev. 1) Page 1 of 22

Tested Object : Busbar for ETA cabinet system

Manufacturer : E.T.A. S.p.A. - Via Monte Bernabone 6, 22039 Cassio (CO) - Italy

Rating assigned by the manufacturer :

Rated insulation voltage	(Ui)	- V
Rated frequency	(fN)	50 Hz
Rated unbalanced current	(Iu)	- A
Rated short-time withstand current for 1 s. of the main circuit	(Isc)	- kA
Rated peak withstand current of the earthing circuit	(Ipk)	100 kA
Rated peak withstand current of the main circuit	(Ipk)	80 kA
Rated peak withstand current of the earthing circuit	(Ipk)	220 kA
Rated peak withstand current of the main circuit	(Ipk)	132 kA

For additional ratings see page -

Tests : short time and peak current tests on main and protective circuits

Test Standard : IEC 61439-1 (ed. 2:0 2011-05)

Date of tests : 08-03-2015

Tests required by : E.T.A. S.p.A. - Via Monte Bernabone 6, 22039 Cassio (CO) - Italy

Date of issue : 04-06-2015

Prepared : C. Garavanti *[Signature]*

Verified : S. Cecchi *[Signature]*

Laboratory Manager : M. Buiatti *[Signature]*

The test report must not be reproduced or used in any way without the express written permission of ABB S.p.A. - Via Monte Bernabone 6, 22039 Cassio (CO) - Italy. The validity of the test results is limited to the conditions specified in the report. The test results are the property of ABB S.p.A. - Via Monte Bernabone 6, 22039 Cassio (CO) - Italy.

ABB S.p.A. - Via Monte Bernabone 6, 22039 Cassio (CO) - Italy. Tel: +39 030 7600000. Fax: +39 030 7600001. E-mail: abb@abb.com

E DUP - DOUBLE PROTECTION FOR UNIQUE PRODUCTS



In the continuous search for product improvement, ETA wanted to further improve the protection of the sheet steel through a double layer treatment; a process called E DUP.

The ETA standard E DUP finishing cycle - applied to all ETA products in painted sheet steel - envisions a paint-based primer with cataphoresis deposition with epoxy resin and thermosetting powder finish. The system project was developed according to the environmental parameters that ETA defines autonomously and suggests to its designers: the lowest energy consumption possible, all construction materials must be recyclable, very low water consumption and limited impact on the environment.

PHASE 1 PREPARATION OF THE METAL SUPPORT: DEGREASING AND RINSING

PHASE 2 FLUID PAINTING WITH CATAPHORESIS PROCESS: DEPOSIT OF FIRST LAYER - PRIMER

PHASE 3 POWDER PAINTING WITH ELECTROSTATIC DEPOSIT: APPLICATION OF SECOND LAYER - FINISHING

- ✦ Cataphoresis requires accurate cleaning before painting: **E DUP is not just a painting process, as it also includes a preliminary treatment of raw material for longer duration.**
- ✦ **Cataphoresis is environmental-friendly**, as it improves performance and consequently reduces consumption and waste. Paint is dissolved in water instead of chemical solvents: there are no waste, as paint in excess is recycled and reused, instead of being sent to a purification plant; this offers clear benefits, avoiding the dispersion of polluting substances. There are no fire hazard.
- ✦ Since it is a dipping process, **no touching up is required, as the paint coverage is excellent both inside and outside**, also in non-accessible areas, while reducing paint and powder consumption.
- ✦ **2 LAYERS are always applied on all products**: a liquid primer and a powder topcoat, because two properly calibrated layers combined with preliminary degreasing and rinsing offer at least double protection against external aggression.
- ✦ **More resistant and long-lasting painting.** Salt spray tests and humidistat confirm the benefits of the E DUP cycle with tangible results.
- ✦ **EPOXY resin is an excellent adhesion promoter and primer**, because it creates a corrosion-resistant base-coat, offering stronger adhesion for finishing powders and film elasticity for drilling operations.
- ✦ **CATA-phoresis leverages cutting-edge technology.**
- ✦ **Improved corrosion resistance** (+ 50% hours compared to a basic powder painting cycle!).

CLASSES OF CORROSION TABLE

CLASS	TYPICAL OUTDOOR ENVIRONMENTS	TYPICAL INDOOR ENVIRONMENTS	MATERIAL
C1 Very low		Heated buildings with clean atmosphere, e.g. offices, schools, shops, hotels.	
C2 Low	Environments with low level of pollution, mainly rural areas	Non-heated buildings subject to condensate formation, e.g. deposits, sports facilities.	
C3 Medium	Urban and industrial environments, modest pollution with sulphur dioxide. Coastal areas with low salinity.	Production facilities with high humidity levels and moderate pollution level, e.g. food industry, laundries, breweries, dairy companies.	Products in carbon steel and painted E DUP
C4 High	Industrial areas and coastal areas with moderate salinity.	Chemical plants, swimming pools, coastal shipyards.	Products in carbon steel and galvanised
C5 Very high	Coastal and industrial areas with high humidity levels and aggressive atmosphere.	Buildings or areas with almost permanent condensate and high pollution levels.	Products in AISI304L and AISI316L stainless steel
CX Offshore	Coastal and offshore areas with high salinity.	Buildings or areas with almost permanent condensate and high pollution levels.	Products in AISI316L stainless steel



SURFACE TREATMENTS

For INDOOR applications (generally in environments classified as C1, C2 according to EN12944), it is advisable to choose standard dust and standard cycle as the dust is resistant to mineral oils, lubricants, emulsions and cleaning products with low acid content and diluted in concentrations of less than 5%. In presence of particularly harsh chemical substances, the E.T.A. technical staff is available to evaluate the possibility of an ad hoc solution.

For OUTDOOR applications (generally in environments classified as C3), environmental factors (ice, snow, rain, sun, wind, humidity) need to be considered in order to select an assembly with an appropriate IP protection rating (installing a protective roof, if necessary) Polyester powders are recommended for products installed outdoors, because they are very resistant to UV rays.

In average corrosion and humidity conditions, anticorrosive zinc-based powder is a valid solution. For environment with high salinity and high levels of pollution (generally areas in the C4 category: industrial areas and coastal areas, C5 or CX: chemical petrochemical industries, marine environments, offshore), we recommend using zinc plated steel coated with special powders for outdoor use or polished stainless steel and, if necessary, painted.

The durability of the product subject to salt spray and condensation atmosphere testing depends on:

- sheet type
- production process
- wash cycle
- painting
- powder used

Ageing depends on the different environmental conditions that the installed product is subject to.

Quality: 100% visual inspections.

Periodical E.T.A. in-house laboratory tests of the process on painted samples:

- visual inspection of the surfaces
- thickness testing
- adhesion testing (ISO 2409)
- film adherence test: piercing and bending
- salt spray test as per ISO 9227
- resistance to humidity test as per ISO 6270.

FOCUS ON STAINLESS STEEL

For INDOOR and OUTDOOR applications (food, chemical, petrochemical industries) requiring a high degree of hygiene and/or resistance to chemical and environmental agents, ETA recommends its AISI 304L and AISI 316L stainless steel products. Stainless steel materials are alloys of iron, chrome and carbon, enriched with other elements such as nickel, molybdenum, silicon, titanium, etc. They stand out for their high resistance to corrosive attacks from external factors. This characteristic is determined by the spontaneous formation of a thin layer of chromium oxide on the stainless steel surface, which protects the metal below from corrosive attacks and from the presence of other elements, such as nickel, molybdenum, titanium, etc. This layer, very stable and tough, prevents direct contact between the surrounding atmosphere and the steel. Unlike conventional protection coatings (zinc-plating, painting, etc.) it has the capacity to restore itself after accidental breaks, making the material intrinsically resistant to corrosion. There are different degrees of stainlessness or, in other words, a scale of nobility, determined by the chemical composition. The steel selected by ETA is austenitic AISI 304L and 316L, where the L stands for low carbon, which makes the steel even more resistant to corrosion. The presence of elements such as Chrome Nickel and Molybdenum improve the intrinsic characteristics of stainless steel.



OVERTEMPERATURE AND CONDENSATION (DUE TO EXPOSURE TO LOW TEMPERATURES)



In environments where the walls reach, on their inner surface, temperatures below the dew point temperature of ambient air, the phenomenon of surface condensation occurs, resulting in the accumulation, on the surfaces of the walls, of a quantity of water that cannot be contained in the air in the form of vapour. Surface condensation is closely related to the internal surface temperature of the wall and therefore depends on, not only the temperature and relative humidity of the ambient air, but also the amount of insulation offered by the wall itself. Generally, surface condensation is closely related to the degree of thermal insulation provided by the wall, since, for an ambient with given thermo-hygrometric characteristics (air temperature and humidity), condensation depends on the temperature where the internal face of the wall is located.

To prevent surface condensation phenomenon, one only needs to keep the internal temperature of the walls above the dew point temperature of ambient air, and therefore check that: $t_{pi} > tR$.

The value of dew point temperature tR can be obtained from the Mollier diagram for moist air (where the ambient air temperature and its relative humidity are known), while to calculate the surface temperature it is necessary to estimate the heat balance of the wall (see over temperature calculation program according to CEI IEC/TR 90890).

🔍 If the maximum surface temperature is insufficient to prevent condensation, an anti-condensation space heater can be used to maintain the indoor air – and therefore the surface air – at the desired temperature. To size the heater, the cabinet (or enclosure) open surface must be determined on the X-axis, the intersection point on the ΔT oblique line indicates the necessary thermal power on Y-axis.

Formula:

$$P = K \times S \times \Delta T$$

where:

P = dissipated thermal power [Watt]

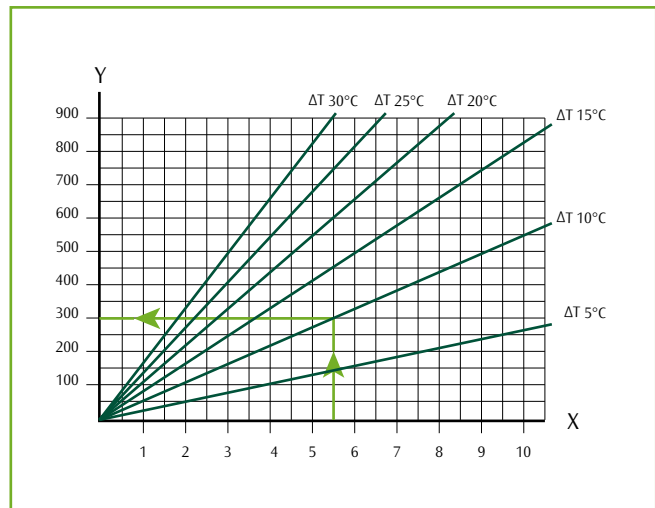
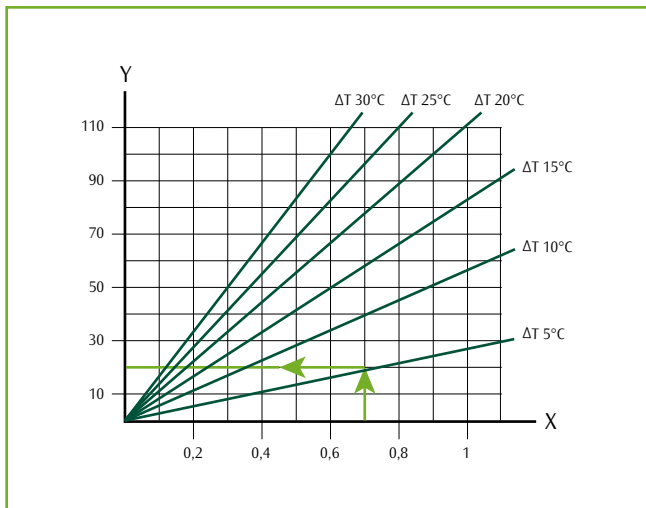
K = heat dissipation coefficient for the enclosure material (for painted sheet steel $K=5.5$ [W/m²°C])

S = open cabinet surface [m²]

$\Delta T = (T_i - T_e)$

T_i = desired internal temperature

T_e = external temperature [°C]



Adding appropriate thicknesses of insulation materials helps to prevent surface condensation phenomenon because insulation raises the surface temperature of the wall to above the dew point temperature.



SEISMIC DESIGN

The ETA Design seismic offer consists in two offers of main technical solutions:

1. SEISMIC DESIGN - STUDY OF VULNERABILITY OF THE STRUCTURE LOCATED IN DIFFERENT GEOGRAPHICAL SCALES

The project refers to two activities carried out together by Fondazione Eucentre Pavia, TREES Lab (Laboratory for Training and Research in Earthquake Engineering and Seismology) and ETA.

Modelling and numerical simulation

In the first task of mathematical simulation, the analysis is based on the increasing values of acceleration PGA from 0.35 g to 1.5 g, where PGA stands for Peak Ground Acceleration (measure of earthquake acceleration on the ground). The PGA of a site is expressed as acceleration on hard ground, and that is to say net of any amplification effects due to the different soil beneath the structure; the spectra considered were applied separately in both the x and y direction.

Simulation on a shake table

For the second simulation activity on a shake table, the known earthquake spectra was used, which are considered as representative. The recorded values of acceleration, displacement and velocity of various seismic events were applied to the 2 prototypes in order to achieve maximum accuracy.

The two prototypes were tested both parallel and perpendicular to the direction of displacement (x,y).

After the first test, the samples were carefully inspected to check that there were no structural failures.

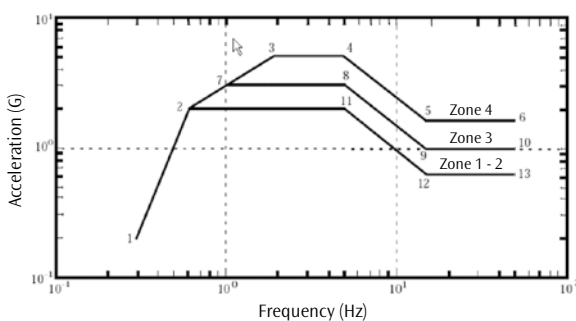
The subsequent tests were conducted by increasing the values of each spectra by up to 1.5% and then repeating the check on the structures (hinges, screws, fasteners). The technical solutions offered by ETA are the result of the combination of the two research activities (modelling and numerical simulation and simulation on a shake table).

2. SEISMIC DESIGN - COMPLIANCE WITH THE TELCORDIA SEISMIC REGULATION

In order to evaluate the performance of enclosures installed in zones with high seismic risk, the UBC (Uniform Building Code) is used as a reference. This establishes how the various areas of the building must be divided into zones with increasing level of severity (zone 4 = high risk).

In order to carry out the conformity tests, the study takes over in compliance with the American BellCore regulation (TELCORDIA-GR-63-CORE-Issue3, March 2006), which is used as a reference in the sector. Thanks to the collaboration with CESI, a pseudo-static study dedicated to modelling with elastic response spectrums has been prepared to increase the ETA enclosures offer with seismic design, proposing specific solutions in compliance with the BellCore seismic regulation (TELCORDIA-GR-63-CORE-Issue3, March 2006).

The seismic analysis was performed using an equivalent static procedure (i.e. applying static loads, whose effect is equivalent to the dynamic load defined by the Required Response Spectra RSS from Ref. [1]). The equivalent static loads were calculated following the IBC procedure (Ref. [2]), but replacing the response spectra MCE mapped with the RSS indicated in the Telcordia GR- 63-CORE document (from Ref. [1]). The maximum spectral accelerations S, for the short term (0.2 s -> 5.0 Hz) and the maximum spectral accelerations S1, for the long term (1.0 s -> 1.0Hz) have been read directly from the RRS (cf. graphics) for the different seismic areas.



DO YOU NEED DEDICATED CONSULTANCY?

Contact our ETA Next team indicating the place of installation, elastic response spectrum and peak acceleration.

Our team will compare the data of the reports available with those of your application, it will make an evaluation regarding the various models and will identify the most suitable one, providing evidence for the choices made and suggest the best technical solution for the specific case.

ADDED VALUE?

Possibility of a dedicated modelling study in collaboration with accredited bodies or selected universities.



TEMPERATURE RISE IN ASSEMBLIES

An electrical panel (assembly) is a system made up of a fluid (air) and of solid bodies including devices which, due to the Joule effect, current passes through and heats them up. The evolution towards thermal equilibrium involves the transfer of heat from live parts (devices, conductors...) to the parts in contact with the devices and from these to the surrounding environment.


Heat transfer takes place by means of:

- conduction (transfer of heat inside solid bodies)
- radiation (transfer of heat between solid bodies separated by a medium)
- convection (transfer of heat between a solid body and a moving fluid).

The temperature inside the assembly increases until it establishes at a T_i value that differs from the external temperature T_e . IEC EN60439-1 lays down the temperature rise limits which must not be exceeded in certain points of the assembly. Verification can be done using the calculation procedure provided in standard CEI IEC/TR 60890.

In principle, this method is applied to enclosures for which the following assumptions apply:

- 1 even distribution of dissipated power;
- 2 devices arranged in a way that does not impede air circulation;
- 3 no more than three horizontal separation
- 4 The data required for the calculation are: dimensions of the enclosure, the power dissipated in the enclosure (devices, conductors) and the type of installation (insulated assemble, or insulated at one end...).

 QuadroPlan software – available online for download – allows you to calculate the power dissipated by the surfaces and offers an over-temperature calculation module; furthermore, dissipation tables of the sheet used for ETA products are available in the reserved area at www.eta.it.

ETA OVER TEMPERATURE CALCULATION PROGRAM

The software, which is available online, allows the user to calculate the power that can be dissipated from the surfaces, and offers a tool for checking the temperature rise limits according to table 6 of the IEC EN 61439-1 Standard.

Indoor calculation: temperature rise calculation according to CEI IEC/TR 60890. The calculation is based on the cabinet's natural dissipation, without taking any ventilation/cooling/heating options into account. These options are only proposed during the final stage in order meet all the user's requirements.

Outdoor calculation or calculation subject to external factors: this calculation is carried out for applications in environments where the temperature is affected by the power installed inside the panel, as well as by external energy factors (e.g. sunlight). It is based on a physical model designed according to the basic principles governing thermal exchanges of a convective and radiative type, and using a lumped-parameter mathematical model.

HEAT DISSIPATION E NUX MILD STEEL CABINETS

DIMENSIONS			$\Delta T [^{\circ}C]$ POWER DISSIPATION [W]							$\Delta T [^{\circ}C]$ POWER DISSIPATION [W]							$\Delta T [^{\circ}C]$ POWER DISSIPATION [W]						
L	H	P	5	10	15	20	25	30	35	5	10	15	20	25	30	35	5	10	15	20	25	30	35
400	1600	400	18	44	72	103	136	171	207	18	43	72	103	136	170	206	18	43	71	102	135	169	205
400	1600	500	25	60	99	141	187	234	284	23	55	91	130	172	215	261	22	53	87	125	165	206	250
400	1600	600	30	71	117	167	221	277	335	28	66	109	155	205	257	312	26	61	101	145	191	239	290
400	1800	400	21	50	83	119	157	198	239	21	50	83	119	157	197	239	21	50	83	118	156	196	237
400	1800	500	28	66	109	156	206	258	313	26	61	101	144	191	239	290	24	58	96	137	181	227	275
400	1800	600	33	77	128	182	241	302	366	30	72	119	171	226	283	343	29	68	112	160	212	266	322
400	1800	800	41	96	159	227	300	376	456	40	94	156	222	294	368	446	36	86	142	203	268	336	407
400	2000	400	26	63	104	148	196	246	297	24	56	93	133	176	220	267	24	56	93	132	175	219	266
400	2000	500	31	72	120	172	227	284	344	28	67	110	158	208	261	316	27	64	106	152	201	252	305
400	2000	600	35	83	138	197	260	326	395	33	79	130	186	246	308	373	31	74	122	175	231	289	350
400	2000	800	42	99	164	234	309	388	470	41	97	161	231	305	382	463	39	91	151	216	285	358	434
400	2200	500	33	79	131	187	247	310	376	31	74	122	175	231	290	351	30	71	117	167	221	277	336
400	2200	600	37	87	143	205	270	339	411	35	83	138	197	261	327	396	33	79	131	187	247	310	375
400	2200	800	44	103	171	244	323	405	490	43	101	168	240	317	398	482	40	94	156	223	294	369	447
600	1400	400	27	63	105	150	198	248	301	24	56	93	132	175	219	265	25	58	97	138	182	229	277
600	1400	500	32	75	124	177	234	294	356	29	68	112	160	212	266	322	29	68	113	162	214	268	325
600	1600	400	30	71	117	167	221	277	335	26	62	103	147	194	244	295	27	65	108	154	203	255	309
600	1600	500	35	83	137	195	258	324	392	31	74	123	176	233	292	354	32	75	125	178	235	295	357
600	1600	600	40	95	157	224	296	371	450	37	87	144	207	273	342	414	36	86	143	205	270	339	410
600	1800	400	33	78	129	184	243	305	369	29	69	114	163	216	271	328	30	71	118	169	223	280	340
600	1800	500	38	90	149	213	281	352	427	34	82	135	193	255	320	388	35	83	137	195	258	324	392
600	1800	600	41	98	162	232	307	385	466	40	95	157	224	296	371	450	39	93	154	220	290	364	441
600	1800	800	50	117	194	278	367	460	557	48	113	187	267	353	443	536	46	108	180	257	339	425	515
600	2000	400	35	82	137	195	258	323	392	32	75	124	178	235	295	357	33	77	128	183	241	303	367
600	2000	500	39	93	153	219	289	363	440	37	88	146	208	275	345	418	38	90	149	213	281	352	426
600	2000	600	43	102	169	241	318	399	484	41	98	162	232	306	384	465	41	96	159	228	300	377	456
600	2000	800	51	122	201	288	380	477	578	50	118	195	279	368	462	560	48	113	187	268	354	444	538
600	2000	1000	58	138	228	327	431	541	655	57	135	224	320	422	530	642	55	129	214	306	404	507	614
600	2200	500	40	96	158	227	299	375	454	39	91	151	216	286	358	434	38	91	150	215	284	356	431
600	2200	600	45	107	177	254	335	420	509	43	101	167	239	315	395	479	42	100	165	236	312	392	474
600	2200	800	53	125	208	297	392	492	596	51	121	201	287	379	475	575	50	117	194	278	367	460	558
800	1400	400	35	84	139	199	262	329	398	29	68	113	162	213	268	324	33	79	130	186	245	308	373
800	1400	500	40	96	158	226	299	374	454	37	87	144	206	272	341	414	38	90	150	214	283	355	429
800	1600	400	38	91	151	216	285	357	433	34	81	134	192	254	318	385	36	86	143	205	270	339	410
800	1600	500	43	102	169	241	318	399	484	40	94	156	224	295	370	448	41	98	163	232	307	385	466
800	1600	600	47	111	184	263	348	436	528	45	107	176	252	333	418	506	40	96	158	226	299	375	454
800	1800	400	41	96	159	227	300	376	456	37	87	145	207	273	342	415	39	93	154	220	291	365	442
800	1800	500	45	106	175	250	330	414	501	42	100	166	237	313	393	476	43	101	168	240	317	397	481
800	1800	600	50	117	194	278	367	460	557	46	110	182	261	344	432	523	47	111	183	262	346	434	526
800	1800	800	57	136	224	321	424	531	644	56	131	218	311	411	516	625	55	130	215	308	407	510	618
800	2000	400	42	100	165	237	312	392	474	39	93	154	220	291	365	442	40	96	158	227	299	375	455
800	2000	500	47	111	183	262	346	434	525	44	104	172	245	324	406	492	44	105	174	249	328	412	499
800	2000	600	52	122	202	289	382	479	580	48	114	189	271	357	448	543	49	116	191	274	361	453	549
800	2000	800	59	140	232	332	439	550	667	57	135	224	321	423	531	643	57	134	222	318	419	526	637
800	2000	1000	68	160	265	379	500	628	761	65	154	254	364	480	602	730	63	150	248	354	468	587	711
800	2200	500	49	115	191	273	360	452	547	45	108	178	255	336	422	511	47	110	182	261	344	432	523
800	2200	600	53	125	208	297	392	492	596	50	120	198	283	374	469	568	51	120	199	284	375	471	570
800	2200	800	62	146	241	345	456	572	693	59	140	231	330	436	547	663	58	138	228	326	430	540	654

HEAT DISSIPATION E NUX MILD STEEL CABINETS

DIMENSIONS			ΔT [°C] POWER DISSIPATION [W]							ΔT [°C] POWER DISSIPATION [W]						
L	H	P	5	10	15	20	25	30	35	5	10	15	20	25	30	35
400	1600	400	16	38	63	91	119	150	182	14	33	55	79	104	131	159
400	1600	500	20	47	77	110	146	183	221	15	36	60	86	113	142	172
400	1600	600	24	57	94	134	177	222	269	21	49	81	116	153	192	233
400	1800	400	18	43	71	102	135	169	205	17	41	67	96	127	159	193
400	1800	500	22	53	88	126	166	208	252	20	47	79	112	148	186	225
400	1800	600	26	62	103	147	194	244	295	23	54	90	128	169	212	257
400	1800	800	35	82	136	195	257	322	391	29	68	112	160	212	265	321
400	2000	400	21	50	82	117	155	194	235	19	45	74	106	140	175	212
400	2000	500	24	58	96	137	180	226	274	22	52	86	123	163	204	247
400	2000	600	29	68	113	162	213	267	324	25	59	98	141	186	233	282
400	2000	800	37	88	145	207	274	343	416	31	74	123	176	232	291	352
400	2200	500	27	65	107	153	202	253	307	24	57	94	134	177	222	269
400	2200	600	31	74	122	174	230	289	350	27	65	107	153	202	253	307
400	2200	800	39	93	153	219	289	363	440	34	81	133	191	252	316	383
600	1400	400	21	50	83	118	156	196	238	17	40	67	95	126	158	191
600	1400	500	26	61	100	143	189	237	287	20	46	77	110	145	182	220
600	1600	400	24	57	94	134	177	222	269	19	45	74	107	141	176	214
600	1600	500	28	67	111	159	210	263	318	22	52	86	122	162	203	246
600	1600	600	33	79	130	186	246	309	374	25	58	97	138	183	229	277
600	1800	400	26	62	103	147	194	244	295	21	50	82	118	155	195	236
600	1800	500	31	74	123	176	232	291	352	24	57	94	135	178	224	271
600	1800	600	36	85	141	202	266	334	405	27	64	107	152	201	252	306
600	1800	800	45	106	175	250	330	414	502	33	79	131	187	247	310	375
600	2000	400	29	68	113	162	213	267	324	23	54	90	129	170	213	259
600	2000	500	34	81	133	191	252	316	382	26	62	103	148	195	245	296
600	2000	600	39	91	151	217	286	359	434	30	70	116	167	220	276	334
600	2000	800	46	109	180	257	339	426	516	36	86	143	204	269	338	409
600	2000	1000	54	127	210	301	397	498	603	43	102	169	242	319	400	485
600	2200	500	36	85	141	201	266	334	404	29	68	112	160	212	266	322
600	2200	600	40	95	157	224	296	371	450	32	76	126	181	238	299	362
600	2200	800	47	112	186	266	351	440	533	39	93	155	221	292	366	444
800	1400	400	29	68	112	160	212	266	322	20	48	79	113	149	187	227
800	1400	500	34	80	132	189	250	313	380	23	54	90	129	170	214	259
800	1600	400	32	75	124	178	235	294	357	22	53	88	126	166	209	253
800	1600	500	37	88	146	209	276	347	420	26	61	100	143	189	237	288
800	1600	600	42	100	165	237	312	392	475	29	68	112	161	212	266	322
800	1800	400	35	82	136	195	257	322	391	25	59	97	139	184	230	279
800	1800	500	40	95	157	224	295	371	449	28	67	110	158	208	261	317
800	1800	600	45	106	175	250	330	414	502	31	75	123	177	233	292	354
800	1800	800	52	123	203	291	384	481	583	38	90	150	214	282	354	429
800	2000	400	37	88	145	207	274	343	416	27	64	106	152	201	252	305
800	2000	500	42	99	165	235	311	390	472	31	73	120	172	227	285	345
800	2000	600	46	109	180	257	339	426	516	34	81	134	192	254	319	386
800	2000	800	55	129	214	306	404	507	614	41	98	163	233	307	385	467
800	2000	1000	61	145	241	345	455	570	691	49	115	191	273	360	452	547
800	2200	500	43	102	169	241	318	400	484	33	79	130	187	246	309	374
800	2200	600	47	112	186	266	351	440	533	37	88	146	208	275	345	418
800	2200	800	56	132	219	313	414	519	629	45	106	176	251	332	416	504

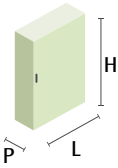
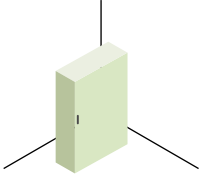
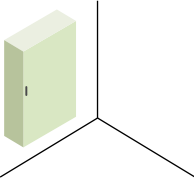
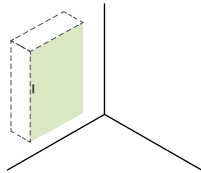
HEAT DISSIPATION E NUX MILD STEEL CABINETS

DIMENSIONS			$\Delta T [^{\circ}C]$ POWER DISSIPATION [W]							$\Delta T [^{\circ}C]$ POWER DISSIPATION [W]							$\Delta T [^{\circ}C]$ POWER DISSIPATION [W]						
			5	10	15	20	25	30	35	5	10	15	20	25	30	35	5	10	15	20	25	30	35
L	H	P	5	10	15	20	25	30	35	5	10	15	20	25	30	35	5	10	15	20	25	30	35
1000	1600	400	45	106	175	251	331	415	503	42	98	163	233	307	386	467	44	104	172	245	324	406	492
1000	1600	500	50	118	195	278	367	461	558	37	89	147	210	277	347	421	48	113	188	269	354	445	539
1000	1600	600	54	129	213	305	402	505	612	50	120	198	283	374	469	568	52	123	204	292	386	484	586
1000	1800	400	47	111	183	262	346	434	525	43	103	170	243	320	402	487	45	107	178	254	335	421	510
1000	1800	500	52	124	205	294	388	486	589	48	114	190	271	358	449	544	50	119	198	283	373	468	567
1000	1800	600	56	133	220	315	416	522	632	53	127	210	300	396	496	601	55	130	215	307	406	509	617
1000	1800	800	64	152	252	360	475	596	722	62	146	241	345	456	571	692	63	149	247	353	466	585	708
1000	2000	400	49	117	194	277	366	459	556	45	106	176	251	332	416	504	47	112	186	266	352	441	534
1000	2000	500	54	128	211	302	399	500	606	51	120	198	284	374	470	569	52	124	206	294	388	487	590
1000	2000	600	58	138	229	327	432	542	656	56	132	218	312	412	517	626	57	134	222	317	419	525	636
1000	2000	800	68	160	265	379	500	628	761	64	151	251	359	474	594	720	64	152	251	359	474	595	721
1000	2200	500	56	132	218	312	411	516	625	52	124	205	293	387	485	588	54	127	210	301	397	498	604
1000	2200	600	61	143	238	340	448	562	681	57	135	224	320	423	530	642	58	138	228	326	430	540	654
1000	2200	800	71	169	280	401	529	663	803	66	157	259	371	490	614	744	67	159	263	376	497	623	755
1200	1400	400	48	114	189	270	356	447	541	45	106	176	251	332	416	504	47	112	185	265	350	439	532
1200	1400	500	53	125	207	296	390	489	593	49	116	192	274	362	454	550	51	122	202	288	380	477	578
1200	1600	400	51	121	201	287	379	476	576	47	111	184	263	347	436	528	50	118	196	280	369	463	561
1200	1600	500	56	133	220	315	415	521	631	52	122	202	290	382	479	581	55	131	216	309	408	512	620
1200	1600	600	60	142	234	335	443	555	673	57	135	223	319	421	529	640	59	139	229	328	433	543	658
1200	1800	400	54	127	210	301	397	498	603	49	116	192	274	362	454	550	53	125	208	297	392	492	595
1200	1800	500	58	138	228	326	430	539	653	55	130	215	308	407	510	618	57	135	223	319	421	528	640
1200	1800	600	63	148	245	351	463	581	704	59	140	232	332	438	550	666	61	144	239	341	451	565	685
1200	1800	800	72	169	280	401	529	664	805	67	160	264	378	499	626	758	69	163	270	386	509	639	774
1200	2000	400	55	131	217	310	409	513	622	52	122	202	289	381	479	580	54	128	212	303	399	501	607
1200	2000	500	61	144	239	341	450	565	684	57	135	224	320	422	529	641	61	145	240	343	453	568	688
1200	2000	600	66	156	258	369	487	612	741	61	145	240	343	453	568	688	64	150	249	356	470	590	714
1200	2000	800	77	182	301	430	567	712	862	71	168	278	397	524	658	797	73	172	285	407	537	674	817
1200	2000	1000	90	213	352	503	664	833	1009	82	194	321	460	607	761	922	82	195	323	462	610	765	927
1200	2200	500	63	150	248	355	469	588	713	58	138	228	326	430	540	654	61	144	239	342	451	566	685
1200	2200	600	70	165	273	390	515	646	782	64	151	249	357	471	590	715	66	157	261	373	492	617	748
1200	2200	800	83	196	324	463	612	767	930	75	178	294	421	555	697	844	77	182	302	432	570	715	866
1400	2000	400	62	146	242	347	458	574	696	56	134	222	317	418	525	636	61	144	238	340	449	563	682
1400	2000	500	68	161	266	380	502	630	763	62	147	243	347	458	575	696	66	156	259	370	489	613	743
1400	2000	600	74	175	290	415	548	687	833	68	160	265	379	500	628	760	72	169	280	401	529	664	805
1400	2000	800	88	208	344	492	649	814	987	79	186	308	441	582	730	885	82	195	323	462	610	765	926
1400	2000	1000	103	245	405	580	765	960	1163	92	218	360	515	680	853	1034	95	224	372	532	702	880	1066
1600	1400	400	59	140	232	332	438	550	666	50	118	195	279	369	463	560	54	129	213	304	402	504	611
1600	1400	500	67	158	262	375	495	621	752	57	136	225	321	424	532	645	61	145	240	343	453	568	688
1600	1400	600	74	176	292	418	551	692	838	66	156	258	369	487	611	740	67	159	264	377	498	625	757
1600	1400	700	81	193	319	456	602	755	915	73	172	285	407	538	675	817	73	173	287	410	541	679	822
1600	2000	400	75	179	296	423	558	700	848	65	155	256	367	484	607	735	70	167	276	395	521	654	792
1600	2000	500	82	194	320	458	605	759	919	74	175	290	415	547	687	832	77	183	303	434	573	719	870
1600	2000	600	88	209	346	495	654	820	994	83	196	325	464	613	769	931	83	197	327	467	617	774	937
1600	2000	800	93	219	363	520	686	861	1042	94	223	370	529	698	875	1060	93	221	366	523	690	866	1049
1800	1000	400	52	122	202	290	382	479	581	43	102	168	240	317	398	482	48	113	186	267	352	441	535

HEAT DISSIPATION E NUX MILD STEEL CABINETS

DIMENSIONS			ΔT [°C] POWER DISSIPATION [W]							ΔT [°C] POWER DISSIPATION [W]						
L	H	P	5	10	15	20	25	30	35	5	10	15	20	25	30	35
1000	1600	400	40	94	156	223	294	368	446	26	62	102	146	192	241	292
1000	1600	500	45	106	176	252	333	418	506	29	69	115	164	217	272	330
1000	1600	600	49	115	191	273	361	452	548	33	77	128	183	241	303	367
1000	1800	400	43	101	167	238	315	395	478	29	68	112	160	212	266	322
1000	1800	500	47	110	183	261	345	433	524	32	76	126	181	238	299	362
1000	1800	600	51	121	201	287	379	475	575	36	85	140	201	265	332	402
1000	1800	800	60	141	233	334	441	553	670	43	102	168	241	318	399	483
1000	2000	400	43	103	170	244	322	404	489	31	74	122	175	231	290	351
1000	2000	500	48	115	190	272	359	450	545	35	83	138	197	260	326	394
1000	2000	600	53	126	209	299	395	496	600	39	92	153	218	288	361	438
1000	2000	800	61	145	241	345	455	570	691	47	110	183	261	345	432	524
1000	2200	500	50	119	197	282	372	467	566	38	90	149	213	281	352	427
1000	2200	600	55	131	216	310	409	513	621	42	100	165	236	311	390	473
1000	2200	800	63	150	248	355	469	588	712	50	119	197	282	372	466	565
1200	1400	400	43	103	170	243	321	402	487	27	63	104	149	197	247	299
1200	1400	500	48	114	189	271	357	448	543	30	71	117	167	221	277	336
1200	1600	400	46	109	181	259	342	428	519	29	70	116	165	218	274	332
1200	1600	500	50	119	197	282	373	468	567	33	78	130	185	245	307	372
1200	1600	600	55	130	215	307	406	509	617	37	87	144	205	271	340	412
1200	1800	400	48	113	188	269	355	445	539	32	77	127	182	240	301	365
1200	1800	500	53	126	209	298	394	494	598	36	86	142	203	268	337	408
1200	1800	600	58	138	228	326	431	540	654	40	95	157	225	296	372	451
1200	1800	800	65	155	256	366	483	606	734	48	113	187	267	353	443	536
1200	2000	400	50	118	196	280	370	464	562	35	84	139	198	262	328	398
1200	2000	500	56	132	219	313	414	519	629	39	93	155	221	292	366	444
1200	2000	600	60	141	234	335	442	555	672	44	103	171	244	322	404	489
1200	2000	800	68	161	266	381	502	630	763	52	122	203	290	382	480	581
1200	2000	1000	77	181	300	429	567	711	861	60	142	235	335	443	555	673
1200	2200	500	57	134	222	318	419	526	637	43	101	167	239	315	396	479
1200	2200	600	61	145	241	344	455	570	691	47	111	184	263	348	436	528
1200	2200	800	71	168	277	397	524	657	796	68	162	268	384	507	636	770
1400	2000	400	56	132	219	313	414	519	629	39	93	155	221	292	366	444
1400	2000	500	61	144	239	342	452	567	686	44	104	172	246	324	407	493
1400	2000	600	66	155	257	368	486	609	738	48	114	189	270	356	447	541
1400	2000	800	75	178	294	421	555	696	843	57	134	223	318	420	527	638
1400	2000	1000	86	203	336	480	633	795	963	65	155	256	367	484	607	735
1600	1400	400	44	105	173	248	327	410	496	33	78	129	185	244	306	370
1600	1400	500	52	123	203	290	383	481	582	37	87	144	206	272	341	413
1600	1400	600	58	136	226	323	426	535	648	40	96	159	227	300	376	455
1600	1400	700	64	151	250	357	472	592	717	44	105	174	248	328	411	498
1600	2000	400	59	141	233	333	440	552	669	44	103	171	244	323	405	490
1600	2000	500	66	157	260	372	491	616	746	48	114	189	270	356	447	542
1600	2000	600	74	175	290	415	548	687	833	53	125	207	296	390	489	593
1600	2000	800	87	207	342	490	646	811	982	62	146	242	347	458	574	695
1800	1000	400	40	94	156	223	294	368	446	28	67	111	159	210	263	319

HEAT DISSIPATION E COR MILD STEEL BOXES

			 BOX WITH ALL SIDES FREE										 BOX LEANING TO WALL										 ENCLOSED BOX									
			$\Delta T [^{\circ}C]$ POWER DISSIPATION [W]										$\Delta T [^{\circ}C]$ POWER DISSIPATION [W]										$\Delta T [^{\circ}C]$ POWER DISSIPATION [W]									
L	H	P	5	10	15	20	25	30	35	40	45	5	10	15	20	25	30	35	40	45	5	10	15	20	25	30	35	40	45			
200	300	150	3	6	10	15	19	24	30	35	40	2	6	9	13	22	26	17	31	36	2	4	7	10	13	16	19	23	27			
300	300	150	4	8	14	20	26	33	40	47	55	3	8	13	18	30	36	24	43	49	2	6	9	13	17	22	26	31	36			
300	400	150	4	10	17	25	33	41	50	59	68	4	9	15	22	36	44	29	52	60	3	7	12	17	22	28	33	40	46			
300	500	150	5	12	19	27	36	45	55	65	75	4	10	17	24	39	48	31	56	65	3	8	13	19	24	31	37	44	51			
400	300	150	4	10	17	24	32	40	49	57	66	4	9	15	22	37	44	29	52	61	3	7	11	16	21	27	33	38	45			
400	500	150	6	15	25	36	47	59	71	84	97	5	13	21	31	51	62	40	73	84	4	11	17	25	33	41	50	59	68			
300	400	200	5	12	19	27	36	45	55	65	75	4	11	17	25	41	50	33	59	68	3	8	13	18	24	31	37	44	51			
300	500	200	6	14	22	32	42	53	64	76	88	5	12	21	29	49	59	39	70	81	4	9	14	21	27	34	41	49	56			
400	300	200	5	12	21	30	39	49	59	70	81	5	11	18	26	44	53	35	62	72	4	8	14	20	26	33	40	47	54			
400	400	200	6	15	24	35	46	58	70	83	96	5	13	22	31	51	62	41	73	84	4	10	17	24	32	40	48	57	66			
400	500	200	7	17	28	40	53	67	81	96	111	6	15	25	35	59	71	47	84	97	5	12	19	28	37	46	56	66	76			
400	600	200	8	19	32	45	60	75	91	107	124	7	17	28	40	66	80	53	94	109	6	13	22	31	42	52	63	74	86			
500	500	200	9	20	34	48	64	80	97	114	132	8	18	30	42	70	85	56	101	116	6	14	23	33	44	55	67	79	91			
500	700	200	11	25	42	60	79	99	120	142	165	9	22	36	52	86	104	68	123	142	7	18	29	42	56	70	84	100	115			
600	400	200	9	21	34	49	65	82	99	117	135	8	18	30	43	72	87	57	103	119	6	14	24	34	45	57	69	81	94			
600	600	200	11	27	44	63	83	105	127	150	173	10	23	38	54	90	109	72	129	149	8	19	31	44	59	73	89	105	122			
600	800	200	11	25	41	59	78	98	118	140	162	12	28	46	66	110	133	87	157	182	10	23	38	54	72	90	109	129	149			
400	500	250	8	19	31	44	58	73	88	104	121	7	17	27	39	65	79	52	93	107	5	13	21	30	40	50	61	72	84			
400	600	250	9	21	35	51	67	84	101	120	139	8	19	31	45	74	90	59	106	123	6	14	23	33	44	55	67	79	92			
500	700	250	12	28	46	66	87	109	132	156	180	10	25	41	58	96	117	77	138	159	8	19	31	45	59	74	90	106	123			
600	800	250	12	29	48	68	90	113	137	162	188	13	30	50	72	119	145	95	171	198	10	24	41	58	77	96	116	137	159			
600	1000	250	14	33	55	78	103	129	157	185	214	12	29	48	69	115	139	91	164	190	12	29	48	68	90	113	137	161	187			
600	400	300	11	25	42	59	79	99	119	141	163	10	23	38	54	89	108	71	127	147	7	17	28	39	52	65	79	93	108			
600	600	300	13	31	51	73	97	121	147	174	201	12	28	46	65	108	131	86	155	179	9	21	35	50	66	83	101	119	138			
600	800	300	14	32	53	76	101	127	153	181	210	12	28	47	67	111	134	88	159	184	11	26	43	62	81	102	124	146	169			
600	1000	300	16	38	62	89	118	148	179	211	245	14	33	54	78	129	156	103	184	213	11	25	42	60	79	99	120	142	164			
600	1200	300	19	45	74	105	139	175	212	250	289	16	38	62	89	148	179	118	212	245	12	29	49	69	92	115	139	165	190			
800	800	300	18	42	70	100	132	166	201	237	274	15	37	61	87	144	174	115	205	238	12	29	48	69	91	114	138	163	188			
800	1000	300	22	51	85	122	161	202	244	288	334	19	44	73	105	174	211	139	249	288	14	34	57	81	107	135	163	193	223			
800	1200	300	26	61	101	145	192	240	291	344	398	22	52	86	122	203	245	161	290	335	17	39	65	93	123	154	187	221	256			
400	600	400	11	26	44	63	83	104	126	148	172	10	25	41	58	97	117	77	138	160	7	17	29	41	55	68	83	98	113			
600	600	400	13	31	52	74	98	122	148	175	203	12	29	47	68	112	136	89	160	186	10	24	39	56	75	94	113	134	155			
600	800	400	16	39	64	92	121	152	184	217	252	15	35	58	83	137	166	109	196	227	12	29	48	68	90	113	137	161	187			
600	1000	400	20	47	78	111	147	184	223	263	305	17	41	68	98	162	196	129	232	268	13	30	50	71	94	117	142	168	194			
800	800	400	22	52	86	122	161	203	245	290	335	19	45	75	107	177	215	141	253	293	14	33	55	79	104	130	158	187	216			
800	1000	400	27	64	106	151	199	250	303	357	414	23	55	91	130	215	261	171	308	356	17	39	65	94	123	155	188	221	256			
800	600	300	14	33	54	77	102	128	155	183	212	13	31	51	73	121	146	96	173	200	12	28	46	65	86	108	131	154	179			
1000	800	200	19	44	73	105	138	173	210	248	287	15	36	60	86	143	173	114	205	237	13	31	51	73	97	122	147	174	201			
1000	800	300	23	55	91	130	172	215	261	308	357	20	47	78	111	184	222	146	263	304	15	36	60	86	113	142	172	203	235			
1000	1000	300	29	68	112	160	211	265	321	379	439	24	57	95	135	224	271	179	320	371	19	46	76	109	143	180	218	257	298			
1000	1200	300	33	79	130	187	246	309	374	442	512	28	66	110	157	261	316	208	373	432	22	52	86	123	162	203	246	291	337			
1200	1200	300	40	95	158	225	297	373	452	534	618	34	81	135	193	319	387	255	457	529	28	67	111	158	209	262	318	375	435			


SEPARATION

The inside of an electrical panel (assembly) can be separated using barriers or partitions, metallic or non metallic, to obtain conditions that limit the contact of live parts of the single functional units (switches).


Such separation must:

- Ensure safe access to parts cut off from the power supply, in relation to live parts (IPXXB)
- Reduce the probability of propagation of an internal arc
- Prevent the passage of foreign bodies between internal live parts (IP2X)

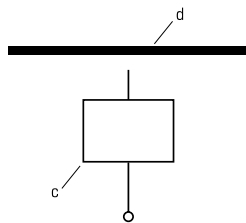
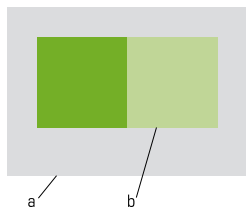
The separation criteria and various modalities are covered in EN61439-2, which considers 7 different forms of separation using barriers or partitions, starting from no internal separation (assembly with no internal barriers between the various functional units and/or busbars) up to form 4b of separation (i.e. the functional units are separated from the input busbars, output terminals and from one another).

 The functional unit is part of a device (assembly) comprising all the electrical and mechanical elements that contribute to the fulfilment of the same function. E.g. input/output switches, measurement unit, engine control unit etc.

By using ETA enclosures and structures it is possible to make forms of separation up to Form 4.

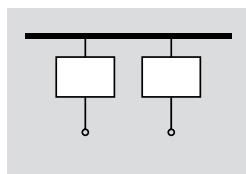
 Calculation of the over-temperature according to CEI 17/43, on which the QuadroPlan software program is based, no longer applies if more than three horizontal separators are present in the control board to be checked.

FUNCTIONAL UNIT



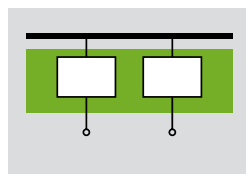
LEGEND

- a. Enclosure
- b. Internal separation
- c. Functional units, including terminals for associated external wires
- d. Bars, including distribution bars



FORM 1

No internal separation

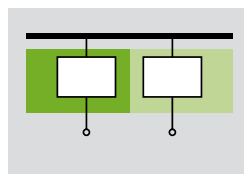


FORM 2

Separation of busbars from the functional units

FORM 2A

Terminals not separated from the busbars

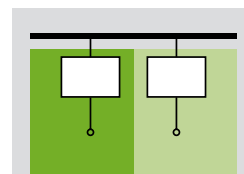


FORM 3

Separation of the busbars from the functional units, plus separation of the functional units from one another

FORM 3A

Terminals not separated from the busbars



FORM 4

Separation of the busbars from the functional units, plus separation of the functional units from one another, plus separation of the terminals from one another

FORM 4A

Terminals in the same compartment as an integral part of the functional unit

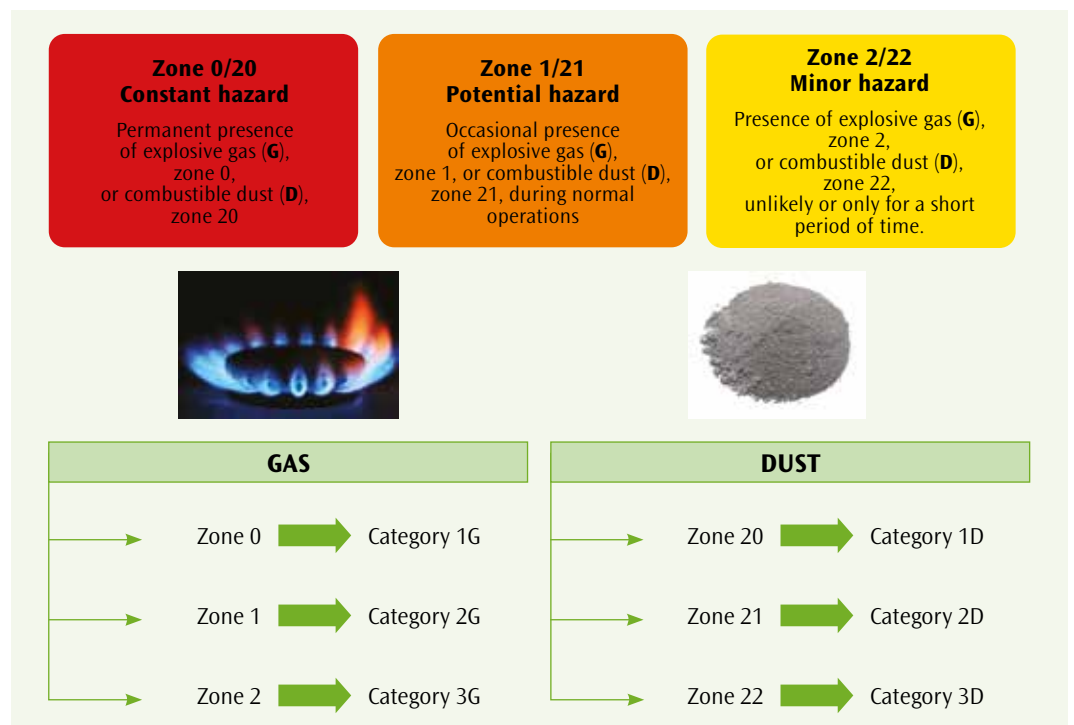
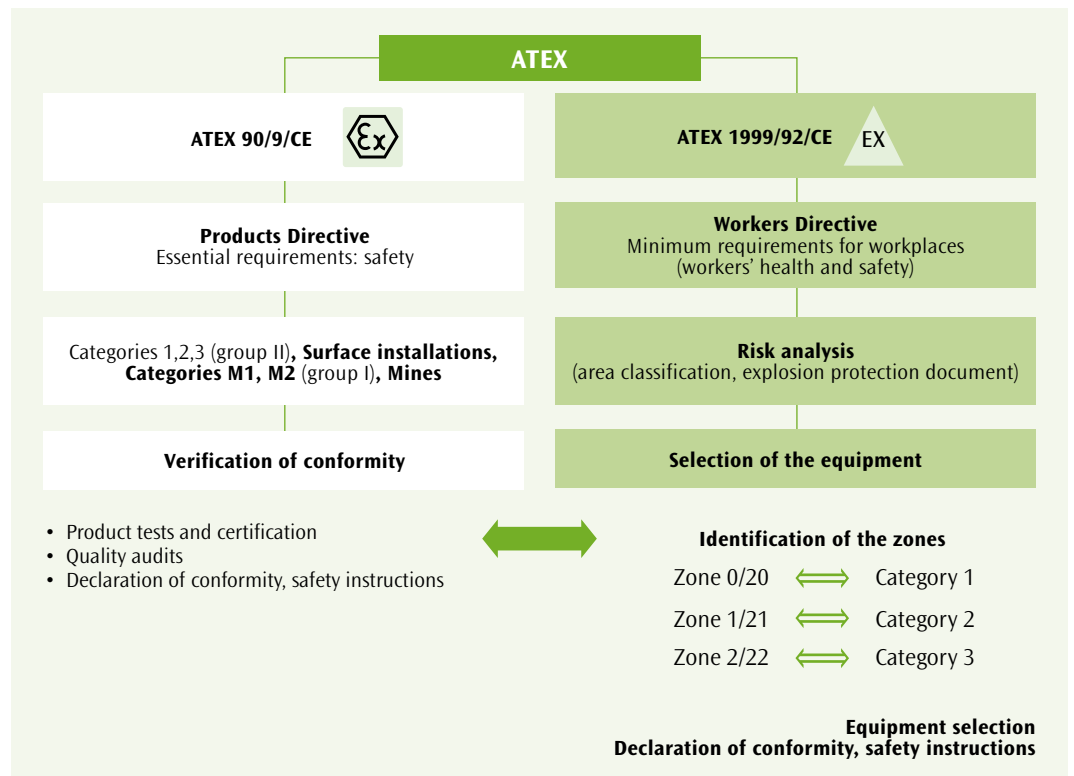


APPLICATIONS IN EXPLOSIVE ATMOSPHERES AND TYPES OF PROTECTION FOR LV AND ON-BOARD ASSEMBLIES (DIRECTIVE 94/9/EC/ATEX)

The ATEX directive for explosive atmospheres applies to electrical and mechanical equipment and protective systems for use in Potentially explosive atmospheres, i.e. work environments where there is dust, gas and mists which in certain conditions (temperature, concentration and source of ignition) can cause an explosion.

In accordance with the Directive, the installers must, in particular:

- know the classification of the work areas and their extension, provided by the end user, who has the obligation to carry out a risk assessment in the work environments
- design and implement safety measures for the equipment from both an electrical and mechanical standpoint, based on where it will be installed (this determines the need to use suitable components).



If the end user has confirmed the presence of an explosion risk in the workplace and therefore has classified the work areas (as required by Directive 99/92/EC and also Legislative Decree 81/08, the end user must implement prevention procedures to minimise the risk of explosion (e.g. adjusting the temperature or concentration of the potential sources) or select appropriate protection systems to minimise the effects of a potential explosion.

We would like to remind you that three elements are required for an explosion to occur: fuel + oxygen + ignition source (heat). By inhibiting or eliminating just one of the 3 elements you can reduce the risk:

- Containment: the explosion is contained within specific enclosures that do not allow its propagation to the external environment.
- Prevention: the reliability of the electrical components is increased so that no sparks are generated and hazardous temperatures are reached during normal use. Example: limiting the heat (increased safety and construction safety).
- Segregation: the live electrical parts or hot surfaces are physically separated from the explosive mixture, so that there is never any contact with the source of ignition. Example: removing the fuel (pressurisation, liquid immersion, encapsulation).


EX STRUCTURE THAT CAN BE USED BASED ON THE CLASSIFICATION OF ZONES

HAZARDOUS AREA	ZONE	PRESENCE EXPLOSIVE MIXTURE	MARKING ON EQUIPMENT	TYPES OF PROTECTION ALLOWED											
				ia	d	cb (PROTECTION) INCREASED SAFETY*	ib	m	o	q	p	n	tD (PROTECTION) BY ENCLOSURE AGAINST DUST AND GAS**		
Presence of gas, vapour or mist	0	Continuously or for long periods	II 1G	●	–	–	–	–	–	–	–	–	–	–	–
	1	Occasionally	II 2G	●	●	●	●	●	●	●	●	●	●	–	–
	2	Only for faults or very short periods	II 3G	●	●	●	●	●	●	●	●	●	●	●	●
Presence of dust	20	Continuously or for long periods	II 1D												●
	21	Occasionally	II 2D												●
	22	Only for faults or very short periods	II 3D												●

(*) Equipment that does not produce arcs, sparks or dangerous temperatures during normal operation (non sparking construction). Additional protection measures are applied, in order to provide increased safety with a higher safety factor, which must prevent the formation of arcs/sparks or the possibility of temperatures that could ignite the explosive mixture; this is made possible by a general oversizing of both insulating materials and the active electrical parts with respect to electrical constructions of normal industrial productions, which are already non-incendive.

(**) Dust ingress protection and surface temperature limitation. The electrical components that could ignite an explosive atmosphere, high temperatures, sparks, etc. are housed in enclosures with a degree of protection IP6X; in zone 22 with non-conductive dust, degree of protection IP5X is permitted. Moreover, the external surface temperature of the equipment is kept lower than the maximum surface temperature.

The selection criteria are different depending on whether the equipment is intended for gas or for dust. If gas is present, the surface temperature of the electrical equipment must not be greater than the ignition temperature of the hazardous substance present (temperature classes from T1 to T6). If dust is present, the minimum ignition temperature is defined for a layer with a thickness of 5 mm (chart) for each type of dust. The maximum surface temperature (T) of the equipment must not exceed the lower value between $T_{max} = (2/3) T_{ignition}$ and $T_{max} = T_{5mm} - 75$ (where 75 K = safety margin).

<p>E.g. Markings</p>  <p>Certified: IMQ09 ATEX037U</p>	<p>Atex classification for construction safety:</p> <p>II2G Ex h IIC Tx Gb II2D Ex h IIIC Tx Db</p> <p>T min = -20°C ; T max = +80°C = operating</p>	<p>Atex classification for increased safety and via enclosure:</p> <p>II 2G Ex eb IIC Gb II 2D Ex tb IIIC Db</p> <p>T min = -20°C ; T max = +80°C depending on the item</p>
---	---	--



THE MECHANICAL STRENGTH OF THE MATERIALS (STEEL AND ALLOYS) USED FOR THE PRODUCTS

LOW-CARBON STEEL

Suitable for all types of cold forming and heat-mechanical treatments. To increase chemical resistance it is subjected to surface treatments

Surface treatment
GALVANIZING PAINTING

HSLA HIGH-STRENGTH LOW-ALLOY STEEL

Excellent for all types of cold forming and heat-mechanical treatments. Perfect for structural support elements

Surface treatment
GALVANIZING PAINTING

STAINLESS STEEL

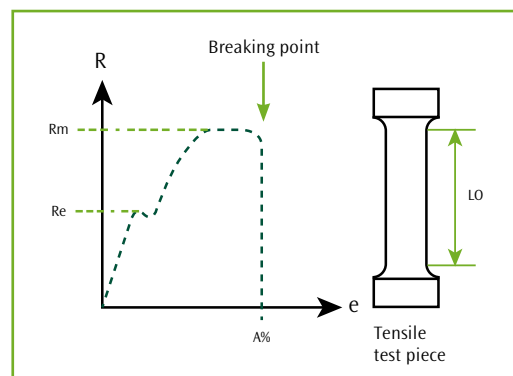
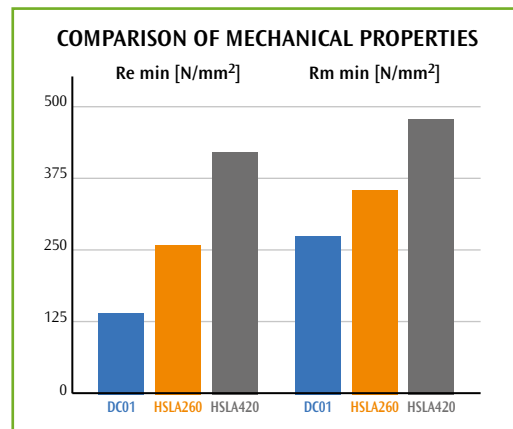
Insensitivity to low temperatures, high fire resistance, greater mechanical strength. Hygiene, sturdiness, UV ray resistance, conductivity for earthing. High corrosion resistance. Weather resistance, UV rays stability

Surface treatment 2B
+ Scotch Brite® finish
+ Protective PVC cover
PAINTING (optional)

ALUMINIUM ALLOY

High corrosion resistance, high thermal and electrical, excellent ductility and malleability, low radiant power

Surface treatment
ANODIZING PAINTING



Re is the minimum yield strength of steel

As long as the service stresses do not exceed this value, the element stressed by the action returns to the initial state at the end of the action.

Rm is the tensile strength at break

This data is not directly used in calculating the strength of metal building material. This characteristic is taken into account, in particular, to determine the fatigue strength of the metal elements subjected to cyclic loads.

DC01

Re = 140 N/mm²
Rm = 270 N/mm²

HSLA420

Re = 420 N/mm²
Rm = 470 N/mm²

AISI304L

Re = 500-700 N/mm²
Rm = 295-326 N/mm²

AlMg3

Re = 224 N/mm²
Rm = 132 N/mm²



High-yield strength steel HSLA260, widely used in the automotive industry and selected for manufacturing the E NUX cabinet structure, offers a higher degree of mechanical strength compared to traditional steels and is particularly suited for structures subject to stress and strain or shock. The guarantee of minimum yield value already at the time of supply (i.e. higher yield and greater tensile strength), makes it possible to act on the thickness of the material, while maintaining the mechanical properties and structural safety, ensuring high levels of performance.

EMC - ELECTROMAGNETIC COMPATIBILITY (DIRECTIVE 2014/30/UE)



The “Electromagnetic compatibility” Directive concerns components that emit electromagnetic (EM) waves. Our products – as they are not EM wave sources – are not subject to the above EMC Directive, however they can provide a barrier for the EM waves that propagate from internal and external sources. This allows a significant reduction of the intensity of these EM waves and, accordingly, the disturbance that they cause to equipment installed within the assembly. The standard cabinet made of painted steel is able to provide an average attenuation of EM waves taking advantage of its conductivity characteristics and, in addition, through the equipotential earthing of the different components (plate, panels, door, structure).

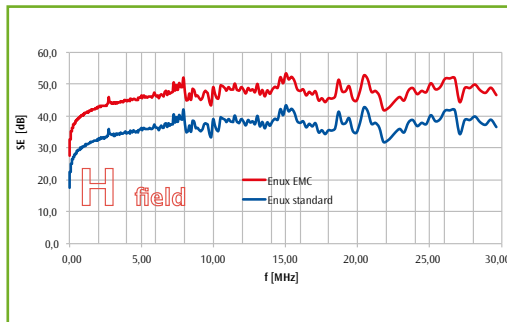
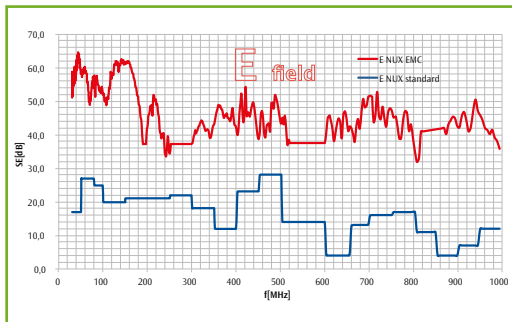
In particular, the EMC cabinet, thanks to its unique structural characteristics listed below, can SIGNIFICANTLY reduce the intensity of the electromagnetic field in the electric and the magnetic component, and thus provide appropriate support to the customer in complying with the Electromagnetic Compatibility Directive.

EMC testing is not required when:

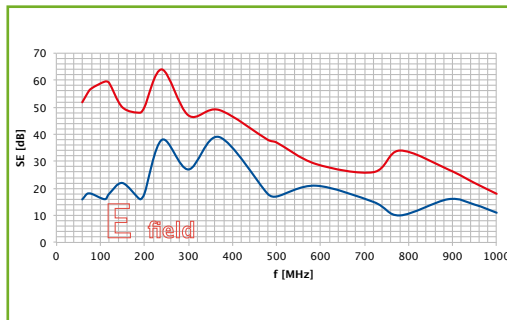
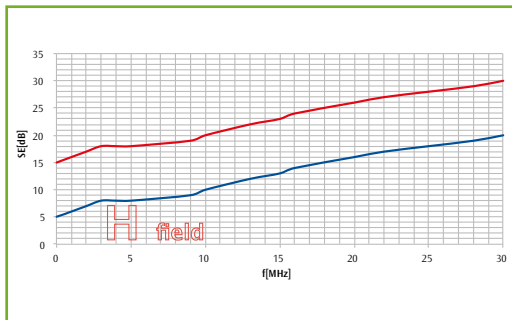
- the assembly does not contain electrical equipment
- the installed electronic equipment is CE-marked.

Stainless steel cabinets can also effectively reduce electromagnetic waves.

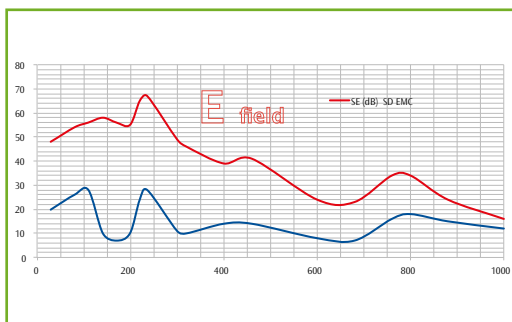
The tests on the EMC version of ETA products are conducted at the NEMKO laboratory complying with EN61000-5-7.



Cabinet E NUX
(EMC vs. standard)



ST wall mounting boxes
(EMC vs. standard)



SD terminal boxes
(EMC vs. standard)

Legend for charts:

- 1 Refer to a range of frequencies used (shown on the horizontal axis).
- 2 Read the corresponding attenuation range on the vertical axis. This value in decibels represents the difference of the field value without a barrier (free field) and with a barrier.

COMMERCIAL INDEX

DESCRIPTION	PAGE
"C" rails suite cabinet	146
"L" rails suite cabinet	146
"Light" keyboard enclosure	277
"Light" operator panel enclosure	276
120/60 adapter for pendant arm system ETR120	288
180° chrome hinges stainless steel suite cabinet	223
180° chrome hinges stainless steel monobloc/compact solution	229
180° door hinges monobloc cabinet	106
180° door hinges suite cabinet	76
180° hinges compact enclosure	116
180° hinges for box	180
180° Hinges rack frame	145
19" front panel with opening	150
19" panels	150
19" rails outdoor cabinet	262
19" rails suite cabinet	146
19" rack brackets for box	180
90 degree joint W=100 crosspieces	347
90 degree joint W=200 crosspieces	346
90 degree wall flange crosspieces	345
Adjustable coupling arm system BQPA	284
Air conditioners 1100W for wall and door mounting	310
Air conditioners 1500W for wall and door mounting	311
Air conditioners 2000W for wall and door mounting	312
Air conditioners 3000W for wall and door mounting	313
Air conditioners 380W for wall and door mounting	307
Air conditioners 4000W for wall and door mounting	314
Air conditioners 500W for wall and door mounting	308
Air conditioners 800W for wall and door mounting	309
Air conditioners for suite cabinets	315
Air to air heat exchangers	326
Air to water heat exchangers	327
Aluminium window for box	183
Aluminium window suite cabinet	82
Anti vibration plinth suite cabinet	64
Anti-seismic design box	177
Axial fan	152
Blank closing trim panels	149
Blank door modular cabinet with external doors	122
Blank panel for modular box chassis	178
Blank panel modular cabinet with inner doors	130
Blank panel suite PC cabinet	137
Blank plate operator interface housing	300
Blank vertical dividing panel suite cabinet	78
Blank/finned/perforated inlet cable tray for box	184
Box lock system	179
Box modular control desk	200
Box post-mount kit	182
Box wall-mount kit	182
Box with double blank door	176
Box with screwed panel	175
Box with single blank door	172
Box with transparent door	174
Brackets mounting of 19" uprights on outdoor cabinet W=600	262
Brackets rack uprights suite cabinet W=600	147
Busbar system and support	88
Cable bundling W=100 crosspieces	347
Cable bundling W=200 crosspieces	346
Cable clamping bracket	83
Cable entry box suite cabinet	71

DESCRIPTION	PAGE
Cable entry brush	153
Cable entry module front opening	44
Cable entry module side opening	46
Cable entry panel with brush	153
Cable gland for EMC applications	268
Cable guide rings	153
Cable holding bar suite cabinet	83
Cable inlet flange for box	184
Casing modular control desk	208
Castor for desk operator panel enclosure	279
Castors suite cabinet	70
Compact enclosure rain canopy	115
Complate range of PDU	155
Conduit base closing crosspieces	345
Conduit base connection crosspieces	344
Conduit plinth connection crosspieces	343
Conduit reducer joint crosspieces	347
Control Desk cabinet	196
Corner cabinet	80
Cover for shelf modular control desk	209
Depth jam for box	181
Depth rails rack uprights suite cabinet W=800	147
Desk for multiple door cabinet	125
Din profile for panel	150
Disconnecting switch suite cabinet	76
Dividing panel cable entry box suite cabinet	71
Door interlock suite cabinet	76
Door jam for box	180
Door rail suite cabinet	82
Door stop compact enclosure	116
Door stop for box	180
Door stop monobloc cabinet	106
Door stop operator interface housing	300
Door stop outdoor cabinet	262
Door with module slots modular cabinet with external doors	122
Doora lock for cabinets joined in a suite	77
Doors stop suite cabinet	56
Double door compact enclosure	112
Double door monobloc cabinet	100
Double door suite cabinet	40
Double walled outdoor cabinet	258
E COR spare parts	192
E MOX spare parts	107
E NUX spare parts	92
Earthing copper bar	152
Electronic temperature/humidity controller	338
EMC box	266
EMC cabinet colution	265
EMC fans and filtering grids	332
EMC side panels	265
EMC terminal box	266
Emergency light cover mount for pendant arm system ETR120	288
Emergency light cover mount for pendant arm system ETR60	291
Enclosure coupling "40" arm system BQPA	284
Enclosure coupling "50" arm system BQPA	284
Enclosures complying with Atex directive	232
EUFC blank bottom	65
EUTT rain canopy	65
Exhaust fan top mounting installation	334
External shelf suite cabinet	81

DESCRIPTION	PAGE
Extra slim air conditioners for door mounting	316
Extractable shelf rack uprights	149
Eyebolts compact enclosure	114
Eyebolts monobloc cabinet	106
Eyebolts outdoor cabinet	262
Eyebolts stainless steel monobloc/compact solution	229
Eyebolts suite cabinet	76
Fast fixing bracket	52
Fast fixing brackets compact enclosure	116
Fast fixing brackets H=25	75
Fast fixing brackets H=50	75
Fast fixing rails	75
Filtering grids and fan	329
Fitted modular cabinet with inner doors	130
Fixed flange for enclosure support arm system BQPA	284
Fixed frame suite cabinet	145
Fixed or sliding shelf rack uprights	148
Fixed shelf suite PC cabinet	138
Fixing brackets for rails H=50	74
Flange for crosspieces	343
Flexible copper braids	152
Foot for desk operator panel enclosure	279
Frame joining kit back to back suite cabinet	79
Frame stop rack	147
Front cover modular cabinet with inner doors	131
Front inserted mounting plate	48
Front inserted mounting plate control desk cabinet	199
Front inserted mounting plate stainless steel suite cabinet	217
Front panel Light operator/keyboard enclosure	278
Front panel modular cabinet with external doors	122
Front panel operator/keyboard enclosure	274
Glass window for box	183
Handle for control desk	209
Handle Light operator/keyboard enclosure	278
Heater with tan ad thermostat	337
Heating element IP20	336
Heating element IP20	337
Heating element IP44	336
Hinge operator panel enclosure	279
Horizontal arm "A" arm system BQPA	283
Horizontal door profile modular cabinet with external doors	123
Horizontal fixing rails for rack frame	144
Horizontal monobloc cabinet	102
Horizontal plate modular	120
Inner blank mounting plate	46
Inner door for box	178
Inner door suite cabinet	57
Inner punched mounting	46
Inner upright monobloc cabinet	106
Intermediate elbow "30" arm system BQPA	283
Intermediate elbow "35" arm system BQPA	283
Intermediate mounting plate	54
Joining kit EMC cabinet	265
Joining kit modular cabinet with external doors	124
Keyboard enclosure	273
Keyboard shelf with mouse pad operator panel	280
Keyboard support operator panel	280
Kit inner door compact enclosure	115
Kit IP suite cabinet	68
Kit Outdoor suite cabinet	68

DESCRIPTION	PAGE
Lamp	86
Lamp support	87
Lateral door suite cabinet	58
Levelling feet suite cabinet	70
Lifting brackets stainless steel suite cabinet	223
Lifting brackets suite cabinet	76
Locking systems control desk	210
Locking systems operator interface housing	300
Locking systems operator panel	280
Locking systems suite cabinet	59
Low noise fan	152
Lower hinged blank door suite PC cabinet	137
Magnetic plate for lamp	87
Micro-perforated plate for box	181
Micro-switch for box	182
Microswitch monobloc cabinet	106
Microswitch stainless steel box	236
Microswitch suite cabinet	85
Modular base plate for cable entry suite cabinet	83
Modular cabinet with external door	118
Modular chassis with modular panel frame and DIN guides for box	178
Modular plinth compact enclosure	114
Modular plinth control desk cabinet	199
Modular plinth modular control desks	203
Modular plinth monobloc cabinet	104
Modular plinth monobloc control desk	205
Modular plinth monobloc control desk	207
Modular plinth outdoor cabinet	261
Modular plinth suite cabinet	62
Modular structure suite cabinet	127
Monitor support suite PC cabinet	138
Monobloc control desk	206
Monobloc control desk with front and rear doors	204
Mounting kit	53
Mounting kit for rack frame	145
Mounting plate for shelf modular control desk	208
Mounting plate modular	123
Mounting plate modular control desk	208
Mounting plate outdoor cabinet	260
Mounting plate pushbutton box	239
Mounting plate stainless steel terminal box	238
Multi function closing panels	149
One piece cable entry box for joined cabinets	70
Operator interface housing BEC	297
Operator panel enclosure ETCR	295
Operator panel enclosure pedestal system	301
Operator panel enclosure	272
Operator panel front panel ETCR	295
Outdoor air conditioners	322
Panel control desk cabinet	198
Panel for cable guide rings	153
Partial horizontal plate modular	120
Partial mounting plate	53
Partial mounting plates	52
Partial support rack 19"	151
PC cabinet	134
Pedestal base	302
Pedestal flange	302
Pedestal section	302
Pendant arm system 90° corner ETR120	287

DESCRIPTION	PAGE
Pendant arm system 90° corner ETR45	293
Pendant arm system 90° corner ETR60	289
Pendant arm system 90° swivel joint ETR120	287
Pendant arm system 90° swivel joint ETR45	293
Pendant arm system 90° swivel joint ETR60	289
Pendant arm system adapter ETR60	291
Pendant arm system BQPA	281
Pendant arm system ETR120	286
Pendant arm system ETR45	292
Pendant arm system ETR60	289
Pendant arm system horizontal wall mount swivel joint ETR120	288
Pendant arm system horizontal wall mount swivel joint ETR45	294
Pendant arm system horizontal wall mount swivel joint ETR60	291
Pendant arm system intermediate swivel joint ETR120	287
Pendant arm system intermediate swivel joint ETR45	293
Pendant arm system intermediate swivel joint ETR60	289
Pendant arm system profile ETR120	287
Pendant arm system profile ETR45	293
Pendant arm system profile ETR60	289
Pendant arm system reusable adapter ETR60	291
Pendant arm system swivel base ETR45	293
Pendant arm system swivel joint ETR120	287
Pendant arm system swivel joint ETR45	293
Pendant arm system swivel joint ETR60	289
Pendant arm system top mount 90° swivel joint ETR120	287
Pendant arm system top mount 90° swivel joint ETR45	293
Pendant arm system top mount 90° swivel joint ETR60	289
Pendant arm system vertical top mount swivel joint ETR120	287
Pendant arm system vertical top mount swivel joint ETR60	289
Pendant arm system vertical wall mount swivel joint ETR120	288
Pendant arm system vertical wall mount swivel joint ETR45	294
Pendant arm system vertical wall mount swivel joint ETR60	291
Plan pochet suite cabinet	81
Plate regulator for box	181
Plexi door suite cabinet	39
Plexy door suit cabinet	55
Plinth front crosspiece for cable conduit	342
Power connector for lamp	87
Protective box canopy	182
Pull out keyboard suite PC cabinet	137
Punched panels modular cabinet with inner doors	130
Punched partition panel suite cabinet	78
Pushbutton box	239
Rack box	156
Rail H=50	74
Rails for cable fixing suite cabinet	84
Rain canopy monobloc cabinet	105
Rear panel for section fixing operator panel enclosure pedestal system	302
Rear panel Light operator/keyboard enclosure	278
Rear panel operator/keyboard enclosure	274
Reinforcemenr crosspieces for conditioners fixing	307
Reinforcing brackets stainless steel suite cabinet	222
Reinforcing brackets suite cabinet	72
Replacement filtering panels	329
Roof mounting fan	333
Roof mounting fan	333
Roof ventilation spacers	154
Rotating flange for enclosure support arm system BQPA	284
Seismic design suite cabinet	66
Self tapping	75

DESCRIPTION	PAGE
Separation profile Light operator panel enclosure	278
Separation profile operator panel enclosure	274
Shelf control desk cabinet	198
Shelf for frontal fixing rack uprights	148
Shelf modular control desk cabinet	201
Shunt box for bus systems	189
Shunt box hinges	191
Shunt box internal DIN profiles	191
Shunt box plate	191
Shunt box wall mounting brackets	191
Shunt box with door	190
Shunt box with flanges	187
Shunt box with screwed cover	186
Shunt box with transparent cover	188
Side cover modular	123
Side covers cable entry box suite cabinet	71
Side inserted mounting plate	50
Side inserted mounting plate stainless steel suite cabinet	218
Side panels modular cabinet with external doors	125
Side panels suite cabinet	58
Side trim panel for rack frame	144
Single door compact enclosure	110
Single door monobloc cabinet	97
Single door suite cabinet	32
Single walled outdoor cabinet	256
Sliding guides for shelf rack uprights	148
Sliding rails compact enclosure	116
Sliding shelf suite PC cabinet	138
Spilt vertical doors suite cabinet	56
Square angle connection bracket operator panel	279
Stainless steel articulated support arm operator panel enclosure	247
Stainless steel box modular control desk	242
Stainless steel box with sloped roof	240
Stainless steel compact solution	226
Stainless steel control desk	241
Stainless steel cover modular control desk	244
Stainless steel door stop box	237
Stainless steel double door box	231
Stainless steel eyebolts suite cabinet	223
Stainless steel functional frame box	235
Stainless steel inner door box	236
Stainless steel inner door suite cabinet	219
Stainless steel joining kit suite cabinet	222
Stainless steel joints operator panel enclosure	248
Stainless steel levelling feet suite cabinet	223
Stainless steel lock box	236
Stainless steel modular panels for Functional frame box	235
Stainless steel modular plinth box	237
Stainless steel modular plinth modular control desk	245
Stainless steel modular plinth monobloc/compact solution	228
Stainless steel modular plinth suite cabinet	220
Stainless steel monobloc cabinet	224
Stainless steel operator panel enclosure	246
Stainless steel plan pocket suite cabinet	223
Stainless steel plexi door box	234
Stainless steel plexi door suite cabinet	216
Stainless steel rain canopy box	236
Stainless steel shelf modular control desk	243
Stainless steel shroud filter fans	222
Stainless steel side panels suite cabinet	219

DESCRIPTION	PAGE
Stainless steel single door box	230
Stainless steel single door suite cabinet	214
Stainless steel terminal box	238
Stainless steel upper part modular control desk	243
Stainless steel wall mounting brackets box	237
Stainless steel wall mounting brackets pushbutton box	239
Stainless steel door stop suite cabinet	223
Stainless steel cable gland	267
Star joint crosspieces	346
Structural uprights suite PC cabinet	135
Supplementary mounting plate	54
Support brackets rack 19"	151
Supporting brackets	54
Supporting brackets suite cabinet	83
Supporting guides rack 19"	151
Swinging rack frame suite cabinet	143
T joint crosspieces	346
Telescopic element crosspieces	345
Temperature regulator	338
Thermostat	340
Thermostat with closing contact NO	339
Thermostat with opening contact NC	339
Three phase flashing safety device suite cabinet	85
Top mounted swivel arm system BQPA	283
Top mounting air conditioners 1400W	321
Top mounting air conditioners 2000W	321
Transformer support suite cabinet	84
Transportation plinth suite cabinet	64
Two side covers watertight plinth suite cabinet	63
Universal box plinth	185
Universal joining kit suite cabinet	73
Universal work shelf suite cabinet	81
Upper hinged blank door suite PC cabinet	137
Upper part modular control desks	201
Upper part monobloc control desk	209
Upper plexi door suite PC cabinet	136
Upper screwed blank panel suite PC cabinet	136
Vde outlet	85
Ventilated door	154
Ventilation crosspiece for plinth	153
Ventilation drawer	152
Ventilation/filter shroud kit	68
Vertical rails compact enclosure	116
Vertical rails H=50	120
Vertical tube "T" arm system BQPA	283
Video surveillance box	157
Wall coupling arm system BQPA	283
Wall mount flange arm system SQPA	282
Wall mounting bracket for pendant arm system ETR120	288
Wall mounting bracket for pendant arm system ETR45	294
Wall mounting bracket for pendant arm system ETR60	291
Wall mounting brackets compact enclosure	115
Watertight plinth suit cabinet	63
Wheel suite PC cabinet	138
Width rails mounting of 19" rack uprights on outdoor cabinet W=800	262
Width rails rack uprights suite cabinet W=800	147

ALPHABETICAL INDEX

CODE	PAGE	CODE	PAGE	CODE	PAGE	CODE	PAGE
086 15 01 001	89	AEP0152	151	BEC4420B.TR2	298	BQC130	272
086 15 01 002	89	AEP0153	151	BEC4420B.TR3	299	BQC175	272
086 15 01 003	89	AEP0154	151	BEC4420F	299	BQC230	272
086 15 01 004	89	AEP0249	152	BEC4420F.C	299	BQC275	272
086 15 01 005	89	AEP0250	152	BEC4420F.TR1	298	BQC330	272
086 15 01 006	89	AEP0520	155	BEC4420F.TR2	298	BQC375	272
086 15 02 001	89	AEP0521	155	BEC4420F.TR3	299	BQC430	272
086 15 02 002	89	AEP0522	155	BEC5420B	299	BQC475	272
086 15 02 003	89	AEP0523	155	BEC5420B.C	299	BQE030	283
086 15 02 004	89	AEP0524	155	BEC5420B.TR1	298	BQE035	283
086 15 02 005	89	AEP0525	155	BEC5420B.TR2	298	BQEC0250	283
086 15 02 006	89	AEP0526	155	BEC5420B.TR3	299	BQEC0500	283
086 15 02 007	89	AEP0527	155	BEC5420F	299	BQEC0750	283
086 15 02 008	89	AEP0528	155	BEC5420F.C	299	BQEC1000	283
086 20 03 001	89	AEP0529	155	BEC5420F.TR1	298	BQF010	282
086 20 03 002	89	AEP0530	155	BEC5420F.TR2	298	BQF010	301
086 20 03 003	89	AEP0531	155	BEC5420F.TR3	299	BQFC001	284
086 20 03 004	89	AEP0540	155	BEC5520B	299	BQFC002	284
086 20 03 005	89	AEP0541	155	BEC5520B.C	299	BQFD-002	279
086 20 03 006	89	AEP0542	155	BEC5520B.TR1	298	BQFK-001	274
086 20 03 007	89	AEP0543	155	BEC5520B.TR2	298	BQFR-001	274
086 20 04 001	89	AERC241200	146	BEC5520B.TR3	299	BQGR-001	284
086 20 04 002	89	AERC291400	146	BEC5520F	299	BQJ040	284
086 20 04 003	89	AERC331600	146	BEC5520F.C	299	BQJ050	284
086 20 04 004	89	AERC381800	146	BEC5520F.TR1	298	BQK075	273
086 20 04 005	89	AERC422000	146	BEC5520F.TR2	298	BQK130	273
086 20 04 006	89	AERC472200	146	BEC5520F.TR3	299	BQK175	273
086 20 04 007	89	AERL241200	146	BEC6620B	299	BQK230	273
AE123	200	AERL291400	146	BEC6620B.C	299	BQKU-003	273
AE1235	200	AERL331600	146	BEC6620B.TR1	298	BQLBP-001	278
AE164	200	AERL381800	146	BEC6620B.TR2	298	BQLBP-002	301
AE1645	200	AERL422000	146	BEC6620B.TR3	299	BQLBP-002	302
AE601	200	AERL472200	146	BEC6620F	299	BQLC075	276
AE802	200	AEX1-23	242	BEC6620F.C	299	BQLC130	276
AE8025	200	AEX1-64	242	BEC6620F.TR1	298	BQLC175	276
AEMK150800	262	AEX6-01	242	BEC6620F.TR2	298	BQLC180	276
AEMK241200	146	AEX8-02	242	BEC6620F.TR3	299	BQLC230	276
AEMK241200	262	BEC3420B	299	BECPA030040	300	BQLC275	276
AEMK291400	146	BEC3420B.C	299	BECPA040030	300	BQLC280	276
AEMK291400	262	BEC3420B.TR1	298	BECPA040040	300	BQLC330	276
AEMK331600	146	BEC3420B.TR2	298	BECPA050040	300	BQLC375	276
AEMK381800	146	BEC3420B.TR3	299	BECPA050050	300	BQLC380	276
AEMK422000	146	BEC3420F	299	BECPA060060	300	BQLC430	276
AEMK472200	146	BEC3420F.C	299	BECPROF200	300	BQLC480	276
AEP0030	153	BEC3420F.TR1	298	BQAA0500	283	BQLFR-001	278
AEP0040	153	BEC3420F.TR2	298	BQAA0750	283	BQLH-001	278
AEP0041	153	BEC3420F.TR3	299	BQAA1000	283	BQLH-002	278
AEP0070	147	BEC4320B	299	BQAA1500	283	BQLH-004	278
AEP0070	262	BEC4320B.C	299	BQB001	300	BQLK075	277
AEP0094	147	BEC4320B.TR1	298	BQBA-001	301	BQLK130	277
AEP0095	147	BEC4320B.TR2	298	BQBA-001	302	BQLKU-001	277
AEP0096	147	BEC4320B.TR3	299	BQBA-002	301	BQLKU-004	277
AEP0097	147	BEC4320F	299	BQBA-002	302	BQLKU-004	279
AEP0098	147	BEC4320F.C	299	BQBP-001	274	BQLM-001	277
AEP0098	262	BEC4320F.TR1	298	BQBP-002	274	BQLPR-001	278
AEP0100	153	BEC4320F.TR2	298	BQBP-002	301	BQLRM-001	280
AEP0101	153	BEC4320F.TR3	299	BQBP-002	302	BQLSK-001	280
AEP0120	152	BEC4420B	299	BQBTR1	300	BQM-001	273
AEP0150	151	BEC4420B.C	299	BQBTR2	300	BQPL-001	279
AEP0151	151	BEC4420B.TR1	298	BQC075	272	BQPL-001	280

CODE	PAGE	CODE	PAGE	CODE	PAGE	CODE	PAGE
BQPR-001	274	EC030420.A	175	EC060520	173	ECAV040015	178
BQPU-001	273	EC030515	173	EC060520.A	175	ECAV-040180X	235
BQR011	283	EC030515.A	175	EC060620	173	ECAV050015	178
BQR015	283	EC030520	173	EC060620.A	175	ECAV060015	178
BQRM-001	280	EC030520.A	175	EC060620.P	175	ECAV-060180X	235
BQRU-001	279	EC040315	173	EC060625	173	ECAV-060360X	235
BQRU-001	280	EC040315.A	175	EC060625.A	175	ECAV080015	178
BQRU-002	280	EC040320	173	EC060630	173	ECAV-080180X	235
BQSK-001	280	EC040320.A	175	EC060630.A	175	ECAV-080360X	235
BQSU-001	302	EC040320.P	175	EC060630.E	266	ECCE0001	180
BQSU-002	302	EC040420	173	EC060630.P	175	ECDI-014040	235
BQWA-003	273	EC040420.A	175	EC060635	173	ECDI-025060	235
BQWA-003	274	EC040420.E	266	EC060635.A	175	ECDI-036080	235
BQWA-003	276	EC040420.P	175	EC060640	173	ECFA040040	183
BQWA-003	277	EC040425	173	EC060640.A	175	ECFA040050	183
BQWA-003	278	EC040425.A	175	EC060820	173	ECFA050070	183
BQWA-003	275	EC040515	173	EC060820.A	175	ECFA060040	183
BSTMA300	300	EC040515.A	175	EC060825	173	ECFA060060	183
BSTMA400	300	EC040520	173	EC060825.A	175	ECFA060080	183
BSTMA500	300	EC040520.A	175	EC060825.P	175	ECFA060120	183
BSTMA600	300	EC040520.P	175	EC060830	173	ECFA080100	183
BWE010	280	EC040525	173	EC060830.A	175	ECFA080120	183
BWE030	280	EC040525.A	175	EC060830.P	175	ECFP0001	182
BWE050	280	EC040525.P	175	EC060835	173	ECIA0001	184
BWE060	280	EC040620	173	EC060835.A	175	ECIA0002	184
BWE070	280	EC040620.A	175	EC060840	173	ECIA0003	184
BWE080	280	EC040620.E	266	EC060840.A	175	ECIA0004	184
BWE090	280	EC040620.P	175	EC061025	173	ECIC0001	184
BWE096	280	EC040625	173	EC061030	173	ECIC0002	184
BWE100	280	EC040625.A	175	EC061030.P	175	ECIC0003	184
BWE140	280	EC040625.P	175	EC061040	173	ECIC0004	184
BWE210	280	EC040630	173	EC061230	173	ECIF0001	184
BWE260	280	EC040630.A	175	EC061230.P	175	ECIF0002	184
BWE268	280	EC040635	173	EC080630	176	ECIF0003	184
BWE273	280	EC040635.A	175	EC080820	173	ECIF0004	184
BWE278	280	EC040640	173	EC080820.A	175	ECIF0005	184
CR0645	156	EC040640.A	175	EC080825	173	ECMC0001	182
CR0655	156	EC050520	173	EC080825.A	175	ECMI040030	178
CR0945	156	EC050520.A	175	EC080830	173	ECMI040040	178
CR0955	156	EC050525	173	EC080830.A	175	ECMI040050	178
CR1245	156	EC050525.A	175	EC080830.A	175	ECMI040060	178
CR1255	156	EC050530	173	EC080830.P	175	ECMI-040060X	235
CR1545	156	EC050530.A	175	EC080840	173	ECMI050070	178
CR1555	156	EC050615	173	EC080840.A	175	ECMI060040	178
CR1845	156	EC050615.A	175	EC080840.A	175	ECMI060060	178
CR1855	156	EC050620	173	EC081025	173	ECMI060080	178
CR2145	156	EC050620.A	175	EC081030	173	ECMI-060080X	235
CR2155	156	EC050625	173	EC081030.P	175	ECMI060100	178
EC020315	173	EC050625.A	175	EC081040	173	ECMI060120	178
EC020315.A	175	EC050720	173	EC081230	173	ECMI080100	178
EC020315.E	266	EC050720.A	175	EC081230.P	175	ECMI-080100X	235
EC025315	173	EC050720.P	175	EC081240	173	ECMI080120	178
EC025315.A	175	EC050725	173	EC081430	176	ECMR0300	180
EC030315	173	EC050725.A	175	EC100820	176	ECMR0400	180
EC030315.A	175	EC050725.P	175	EC100830	176	ECMR0500	180
EC030320	173	EC060420	173	EC101030	176	ECMR0600	180
EC030320.A	175	EC060420.A	175	EC101230	176	ECMR0700	180
EC030415	173	EC060420.P	175	EC101430	176	ECMR0800	180
EC030415.A	175	EC060430	173	EC120830	176	ECMR1000	180
EC030420	173	EC060430.A	175	EC121230	176	ECMR1200	180

CODE	PAGE	CODE	PAGE	CODE	PAGE	CODE	PAGE
ECOMP101240	113	ECOR4-620TX	240	ECPA040040	231	ECPF100100	181
ECOMP10-1240X	227	ECOR4-620X	230	ECPA040050	169	ECPF100120	181
ECOMP101430	113	ECOR4-625EEX	233	ECPA040050	231	ECPF100140	181
ECOMP10-1430X	227	ECOR4-625X	230	ECPA040060	169	ECPF120080	181
ECOMP101440	113	ECOR5-520EEX	233	ECPA040060	231	ECPF120120	181
ECOMP10-1440X	227	ECOR5-520X	230	ECPA050050	169	ECPI040050	178
ECOMP121240	113	ECOR5-525EEX	233	ECPA050050	231	ECPI040060	178
ECOMP12-1240X	227	ECOR5-525X	230	ECPA050060	169	ECPI050070	178
ECOMP121430	113	ECOR5-530X	230	ECPA050070	169	ECPI060040	178
ECOMP12-1430X	227	ECOR5-620X	230	ECPA050070	231	ECPI060080	178
ECOMP121440	113	ECOR5-720EEX	233	ECPA060040	169	ECPI060100	178
ECOMP12-1440X	227	ECOR5-720X	230	ECPA060040	231	ECPI060120	178
ECOMP61240	111	ECOR5-725EEX	233	ECPA060050	169	ECPI080100	178
ECOMP6-1240X	227	ECOR5-725PVX	234	ECPA060060	169	ECPI080120	178
ECOMP61430	111	ECOR5-725X	230	ECPA060060	231	ECPM-040180X	235
ECOMP6-1430X	227	ECOR5-730TX	240	ECPA060080	169	ECPM-060180X	235
ECOMP61440	111	ECOR6-1030X	230	ECPA060080	231	ECPM-080180X	235
ECOMP6-1440X	227	ECOR6-1230EEX	233	ECPA060100	169	ECPO020030	192
ECOMP81240	111	ECOR6-1230X	230	ECPA060120	169	ECPO025030	192
ECOMP8-1240X	227	ECOR6-420EEX	233	ECPA060120	231	ECPO030030	192
ECOMP81430	111	ECOR6-420X	230	ECPA080060	169	ECPO030040	192
ECOMP8-1430X	227	ECOR6-520X	230	ECPA080080	169	ECPO030050	192
ECOMP81440	111	ECOR6-620EEX	233	ECPA080080	231	ECPO040030	192
ECOMP8-1440X	227	ECOR6-620X	230	ECPA080100	169	ECPO040040	192
ECOMP-TG060030	111	ECOR6-625EEX	233	ECPA080100	231	ECPO040050	192
ECOMP-TG060040	111	ECOR6-625X	230	ECPA080120	169	ECPO040060	192
ECOMP-TG080030	111	ECOR6-630EEX	233	ECPA080120	231	ECPO050050	192
ECOMP-TG080040	111	ECOR6-630X	230	ECPA080140	169	ECPO050060	192
ECOMP-TG100030	113	ECOR6-820EEX	233	ECPA100080	169	ECPO050070	192
ECOMP-TG100040	113	ECOR6-820PVX	234	ECPA100100	169	ECPO060040	192
ECOMP-TG120030	113	ECOR6-820X	230	ECPA100100	231	ECPO060060	192
ECOMP-TG120040	113	ECOR6-825EEX	233	ECPA100120	169	ECPO060080	192
ECOR10-1030X	231	ECOR6-825PVX	234	ECPA100120	231	ECPO060100	192
ECOR10-1230X	231	ECOR6-825TX	240	ECPA100140	169	ECPO060120	192
ECOR10-830X	231	ECOR6-825X	230	ECPA120080	169	ECPO080060C	192
ECOR12-1230X	231	ECOR6-830EEX	233	ECPA120120	169	ECPO080060I	192
ECOR12-830X	231	ECOR6-830X	230	ECPF020030	181	ECPO080080	192
ECOR2-315EEX	233	ECOR8-1025TX	240	ECPF025030	181	ECPO080100	192
ECOR2-315X	230	ECOR8-1030EEX	233	ECPF030030	181	ECPO080120	192
ECOR3-315EEX	233	ECOR8-1030PVX	234	ECPF030040	181	ECPO100080C	192
ECOR3-315X	230	ECOR8-1030TX	240	ECPF030050	181	ECPO100080I	192
ECOR3-320X	230	ECOR8-1030X	230	ECPF040030	181	ECPO100100C	192
ECOR3-415EEX	233	ECOR8-1230EEX	233	ECPF040040	181	ECPO100100I	192
ECOR3-415X	230	ECOR8-1230TX	240	ECPF040050	181	ECPO100120C	192
ECOR3-420EEX	233	ECOR8-1230X	230	ECPF040060	181	ECPO100120I	192
ECOR3-420PVX	234	ECOR8-1430X	230	ECPF050050	181	ECPO120100C	192
ECOR3-420X	230	ECOR8-630X	230	ECPF050060	181	ECPO120100I	192
ECOR4-315EEX	233	ECOR8-830EEX	233	ECPF050070	181	ECPO120120C	192
ECOR4-315X	230	ECOR8-830X	230	ECPF060040	181	ECPO120120I	192
ECOR4-320X	230	ECPA020030	169	ECPF060050	181	ECPO1-34X	236
ECOR4-420EEX	233	ECPA020030	231	ECPF060060	181	ECPO1-45X	236
ECOR4-420X	230	ECPA025030	169	ECPF060080	181	ECPO1-46X	236
ECOR4-425EEX	233	ECPA030030	169	ECPF060100	181	ECPO1-57X	236
ECOR4-425X	230	ECPA030030	231	ECPF060120	181	ECPO1-68X	236
ECOR4-515TX	240	ECPA030040	169	ECPF080060	181	ECPO1-810X	236
ECOR4-520EEX	233	ECPA030040	231	ECPF080080	181	ECPP-00300	116
ECOR4-520PVX	234	ECPA030050	169	ECPF080100	181	ECPP-00400	116
ECOR4-520X	230	ECPA040030	169	ECPF080120	181	ECPV040030	192
ECOR4-620EEX	233	ECPA040030	231	ECPF080140	181	ECPV040040	192
ECOR4-620PVX	234	ECPA040040	169	ECPF100080	181	ECPV040050	192

CODE	PAGE	CODE	PAGE	CODE	PAGE	CODE	PAGE
ECPV040060	192	ECZP0800	185	EMOX081804PR	99	ENUX032205	45
ECPV050070	192	ECZP1000	185	EMOX-081804PRX	225	ENUX032206	45
ECPV060040	192	ECZP1200	185	EMOX081804PV	99	ENUX032208	45
ECPV060060	192	EGRAN1-108X	238	EMOX081805PR	99	ENUX041604DP	35
ECPV060080	192	EGRAN1-112X	238	EMOX-081805PRX	225	ENUX041604PR	35
ECPV060100	192	EGRAN2-208X	238	EMOX081805PV	99	ENUX041605DP	35
ECPV060120	192	EGRAN3-208X	238	EMOX082004PR	99	ENUX041605PR	35
ECPV080080	192	EGRAN3-312X	238	EMOX-082004PRX	225	ENUX041606DP	35
ECPV080100	192	EGRAN4-212X	238	EMOX082004PV	99	ENUX041606PR	35
ECPV080120	192	ELWE001	60	EMOX082005PR	99	ENUX041804DP	35
ECPV46306	183	ELWE002	60	EMOX-082005PRX	225	ENUX041804PR	35
ECRM0000	184	ELWE003	60	EMOX082005PV	99	ENUX041805DP	35
ECRM0012	184	ELWE004	60	EMOX101604PR	99	ENUX041805PR	35
ECRM0014	184	ELWE005	60	EMOX101604PV	99	ENUX041806DP	35
ECRM0022	184	ELWE006	60	EMOX101804PR	99	ENUX041806PR	35
ECRM0023	184	ELWE007	60	EMOX-101804PRX	225	ENUX041808DP	35
ECRM0029	184	ELWE008	60	EMOX101804PV	99	ENUX041808PR	35
ECRP0001	181	ELWE009	60	EMOX101805PR	99	ENUX042004DP	35
ECSF0001	182	ELWE010	61	EMOX101805PV	99	ENUX042004PR	35
ECTC0001	180	ELWE011	61	EMOX102004PR	99	ENUX042005DP	35
ECTC0002	180	ELWE012	61	EMOX-102004PRX	225	ENUX042005PR	35
ECTP0300	180	ELWE013	61	EMOX102004PV	99	ENUX042006DP	35
ECTP0400	180	ELWE014	61	EMOX102005PR	99	ENUX042006PR	35
ECTP0500	180	ELWE015	61	EMOX102005PV	99	ENUX042008DP	35
ECTP0600	180	ELWE016	61	EMOX120804PR	103	ENUX042008PR	35
ECTP0800	180	ELWE050	59	EMOX121004PR	103	ENUX042205DP	35
ECTT040020	182	ELWE051	59	EMOX121604PR	101	ENUX042205PR	35
ECTT040025	182	ELWE052	59	EMOX121804PR	101	ENUX042206DP	35
ECTT050020	182	ELWE053	59	EMOX-121804PRX	225	ENUX042206PR	35
ECTT050025	182	ELWE054	59	EMOX121805PR	101	ENUX042208DP	35
ECTT060025	182	ELWE055	59	EMOX-121805PRX	225	ENUX042208PR	35
ECTT060030	182	ELWE056	59	EMOX122004PR	101	ENUX061404DP	36
ECTT080030	182	ELWE057	59	EMOX-122004PRX	225	ENUX061404PR	36
ECTT1-04X	236	ELWE058	59	EMOX122005PR	101	ENUX061404PV	36
ECTT1-05X	236	ELWE059	59	EMOX141004PR	103	ENUX061405DP	36
ECTT1-06X	236	ELWE060	59	EMOX161004PR	103	ENUX061405PR	36
ECTT2-05X	236	ELWE061	59	EMOX161804PR	101	ENUX061405PV	36
ECTT2-08X	236	ELWE062	59	EMOX162004PR	101	ENUX061604DP	36
ECTU0150	181	ELWE063	59	EMOX181004PR	103	ENUX061604PR	36
ECTU0200	181	ELWE064	59	EMTT060040	105	ENUX061604PV	36
ECTU0250	181	ELWE065	59	EMTT060050	105	ENUX061605DP	36
ECTU0300	181	ELWE066	61	EMTT080040	105	ENUX061605PR	36
ECTU0350	181	EMOX061604PR	99	EMTT080050	105	ENUX061605PV	36
ECTU0400	181	EMOX-061604PRX	225	EMTT100040	105	ENUX061606DP	36
ECWA0001	180	EMOX061604PV	99	EMTT100050	105	ENUX061606PR	36
ECWE0001	179	EMOX061804PR	99	EMTT120040	105	ENUX061606PV	36
ECWE0002	179	EMOX-061804PRX	225	EMTT120050	105	ENUX061804DP	36
ECWE0003	179	EMOX061804PV	99	EMTT160040	105	ENUX061804PR	36
ECWE0004	179	EMOX061805PR	99	EMTT160050	105	ENUX-061804PRX	215
ECWE0005	179	EMOX-061805PRX	225	ENUX031604	45	ENUX061804PV	36
ECWE0006	179	EMOX061805PV	99	ENUX031605	45	ENUX061804PV	127
ECWE0007	179	EMOX062004PR	99	ENUX031606	45	ENUX-061804PVX	216
ECWE0008	179	EMOX-062004PRX	225	ENUX031804	45	ENUX061804ST	119
ECZP030010	185	EMOX062004PV	99	ENUX031805	45	ENUX061805DP	36
ECZP030020	185	EMOX062005PR	99	ENUX031806	45	ENUX061805PR	36
ECZP035010	185	EMOX-062005PRX	225	ENUX031808	45	ENUX-061805PRX	215
ECZP035020	185	EMOX062005PV	99	ENUX032004	45	ENUX061805PV	36
ECZP040010	185	EMOX081604PR	99	ENUX032005	45	ENUX061805PV	127
ECZP040020	185	EMOX-081604PRX	225	ENUX032006	45	ENUX-061805PVX	216
ECZP0600	185	EMOX081604PV	99	ENUX032008	45	ENUX061805ST	119

CODE	PAGE	CODE	PAGE	CODE	PAGE	CODE	PAGE
ENUX061806DP	36	ENUX081606PV	37	ENUX082208PV	37	ENUX-102005PRX	215
ENUX061806PR	36	ENUX081804DP	37	ENUX101604DP	38	ENUX102005PV	38
ENUX061806PV	36	ENUX081804PR	37	ENUX101604DPDP	38	ENUX-102005PVX	216
ENUX061806PV	127	ENUX-081804PRX	215	ENUX101604DPR	38	ENUX102006DP	38
ENUX061806ST	119	ENUX081804PV	37	ENUX101604DPR	38	ENUX102006DPDP	38
ENUX061808DP	36	ENUX081804PV	127	ENUX101604PDP	38	ENUX102006DPR	38
ENUX061808PR	36	ENUX-081804PVX	216	ENUX101604PDP	38	ENUX102006PDP	38
ENUX061808PV	36	ENUX081804ST	119	ENUX101604PR	38	ENUX102006PR	38
ENUX061808PV	127	ENUX081805DP	37	ENUX101604PV	38	ENUX-102006PRX	215
ENUX061808ST	119	ENUX081805PR	37	ENUX101605DP	38	ENUX102006PV	38
ENUX062004DP	36	ENUX-081805PRX	215	ENUX101605DPPDP	38	ENUX-102006PVX	216
ENUX062004PR	36	ENUX081805PV	37	ENUX101605DPR	38	ENUX102008DP	38
ENUX062004PV	36	ENUX081805PV	127	ENUX101605PDP	38	ENUX102008DPDP	38
ENUX062004PV	127	ENUX-081805PVX	216	ENUX101605PR	38	ENUX102008DPR	38
ENUX062004ST	119	ENUX081805ST	119	ENUX101605PV	38	ENUX102008PDP	38
ENUX062005DP	36	ENUX081806DP	37	ENUX101606DP	38	ENUX102008PR	38
ENUX062005PR	36	ENUX081806PR	37	ENUX101606DPDP	38	ENUX102008PV	38
ENUX-062005PRX	215	ENUX081806PV	37	ENUX101606DPR	38	ENUX102205DP	38
ENUX062005PV	36	ENUX081806PV	127	ENUX101606PDP	38	ENUX102205DPDP	38
ENUX062005PV	127	ENUX081806ST	119	ENUX101606PR	38	ENUX102205DPR	38
ENUX-062005PVX	216	ENUX081808DP	37	ENUX101606PV	38	ENUX102205PDP	38
ENUX062005ST	119	ENUX081808PR	37	ENUX101804DP	38	ENUX102205PR	38
ENUX062006DP	36	ENUX081808PV	37	ENUX101804DPPDP	38	ENUX102205PV	38
ENUX062006PR	36	ENUX081808PV	127	ENUX101804DPR	38	ENUX102206DP	38
ENUX-062006PRX	215	ENUX081808ST	119	ENUX101804PDP	38	ENUX102206DPDP	38
ENUX062006PRZ	265	ENUX082004DP	37	ENUX101804PR	38	ENUX102206DPR	38
ENUX062006PV	36	ENUX082004PR	37	ENUX101804PV	38	ENUX102206PDP	38
ENUX062006PV	127	ENUX082004PV	37	ENUX101805DP	38	ENUX102206PR	38
ENUX-062006PVX	216	ENUX082004PV	127	ENUX101805DPPDP	38	ENUX102206PV	38
ENUX062006ST	119	ENUX082004ST	119	ENUX101805DPR	38	ENUX102208DP	38
ENUX062008DP	36	ENUX082005DP	37	ENUX101805PDP	38	ENUX102208DPDP	38
ENUX062008PR	36	ENUX082005PR	37	ENUX101805PR	38	ENUX102208DPR	38
ENUX062008PRZ	265	ENUX-082005PRX	215	ENUX-101805PRX	215	ENUX102208PDP	38
ENUX062008PV	36	ENUX082005PV	37	ENUX101805PV	38	ENUX102208PR	38
ENUX062008PV	127	ENUX082005PV	127	ENUX-101805PVX	216	ENUX102208PV	38
ENUX062008ST	119	ENUX-082005PVX	216	ENUX101806DP	38	ENUX121404DP	42
ENUX062010PR	36	ENUX082005ST	119	ENUX101806DPDP	38	ENUX121404PR	42
ENUX062205DP	36	ENUX082006DP	37	ENUX101806DPR	38	ENUX121405DP	42
ENUX062205PR	36	ENUX082006PR	37	ENUX101806PDP	38	ENUX121405PR	42
ENUX062205PV	36	ENUX-082006PRX	215	ENUX101806PR	38	ENUX121604DP	42
ENUX062206DP	36	ENUX082006PRZ	265	ENUX-101806PRX	215	ENUX121604PR	42
ENUX062206PR	36	ENUX082006PV	37	ENUX101806PV	38	ENUX121605DP	42
ENUX062206PV	36	ENUX082006PV	127	ENUX-101806PVX	216	ENUX121605PR	42
ENUX062208DP	36	ENUX-082006PVX	216	ENUX101808DP	38	ENUX121606DP	42
ENUX062208PR	36	ENUX082006ST	119	ENUX101808DPDP	38	ENUX121606PR	42
ENUX062208PV	36	ENUX082008DP	37	ENUX101808DPR	38	ENUX121804DP	42
ENUX081404DP	37	ENUX082008PR	37	ENUX101808PDP	38	ENUX121804PR	42
ENUX081404PR	37	ENUX082008PRZ	265	ENUX101808PR	38	ENUX-121804PRX	215
ENUX081404PV	37	ENUX082008PV	37	ENUX101808PV	38	ENUX121805DP	42
ENUX081405DP	37	ENUX082008PV	127	ENUX102004DP	38	ENUX121805PR	42
ENUX081405PR	37	ENUX082008ST	119	ENUX102004DPDP	38	ENUX-121805PRX	215
ENUX081405PV	37	ENUX082010PR	37	ENUX102004DPR	38	ENUX121806DP	42
ENUX081604DP	37	ENUX082205DP	37	ENUX102004PDP	38	ENUX121806PR	42
ENUX081604PR	37	ENUX082205PR	37	ENUX102004PR	38	ENUX121808DP	42
ENUX081604PV	37	ENUX082205PV	37	ENUX102004PV	38	ENUX121808PR	42
ENUX081605DP	37	ENUX082206DP	37	ENUX102005DP	38	ENUX122004DP	42
ENUX081605PR	37	ENUX082206PR	37	ENUX102005DPPDP	38	ENUX122004PR	42
ENUX081605PV	37	ENUX082206PV	37	ENUX102005DPR	38	ENUX122005DP	42
ENUX081606DP	37	ENUX082208DP	37	ENUX102005DPR	38	ENUX122005PR	42
ENUX081606PR	37	ENUX082208PR	37	ENUX102005PR	38	ENUX-122005PRX	215

CODE	PAGE	CODE	PAGE	CODE	PAGE	CODE	PAGE
ENUX122006DP	42	ERL-0305X	247	ETR060380	289	EUCE-183-7035B	76
ENUX122006PR	42	ERL-0505X	247	ETR060390	289	EUCE-183-9011B	76
ENUX-122006PRX	215	ERL-0705X	247	ETR060400	289	EUCG-00600	111
ENUX122008DP	42	ERPF-001X	248	ETR060410	289	EUCG-00800	111
ENUX122008PR	42	ERPG-001XA	248	ETR060430	289	EUCG-01000	113
ENUX122010PR	42	ERPG-001XP	248	ETR120025	286	EUCG-01000C	113
ENUX122205DP	42	ERPS-001XA	249	ETR120050	286	EUCG-01200	113
ENUX122205PR	42	ERPS-001XP	249	ETR120075	286	EUCG-01200C	113
ENUX122206DP	42	ETCP3040	295	ETR120100	286	EUCG-01400	107
ENUX122206PR	42	ETCP4040	295	ETR120125	286	EUCG-01400C	107
ENUX122208DP	42	ETCP5040	295	ETR120150	286	EUCG-01400C	107
ENUX122208PR	42	ETCP5050	295	ETR120175	286	EUCG-01600	107
ENUX142004DP	42	ETCP5060	295	ETR120200	286	EUCG-01600	107
ENUX142004PR	42	ETCR304009	295	ETR120310	286	EUCG-01600C	107
ENUX142005DP	42	ETCR304015	295	ETR120320	286	EUCG-01600C	107
ENUX142005PR	42	ETCR304018	295	ETR120330	286	EUCG-01800	107
ENUX142006DP	42	ETCR404009	295	ETR120340	286	EUCG-01800	107
ENUX142006PR	42	ETCR404015	295	ETR120350	286	EUCG-01800	107
ENUX142008DP	42	ETCR404018	295	ETR120360	286	EUCG-01800C	107
ENUX142008PR	42	ETCR504009	295	ETR120370	286	EUCG-02000	92
ENUX161404DP	43	ETCR504015	295	ETR120380	286	EUCG-02000	92
ENUX161404PR	43	ETCR504018	295	ETR120390	286	EUCG-02000C	92
ENUX161405DP	43	ETCR505009	295	ETR120400	286	EUCG-02000C	92
ENUX161405PR	43	ETCR505015	295	ETR120430	286	EUCG-02200	92
ENUX162004DP	43	ETCR505018	295	EUAL060140	197	EUCG-02200	92
ENUX162004PR	43	ETCR506009	295	EUAL061404FP	197	EUCG-02200C	92
ENUX162005DP	43	ETCR506015	295	EUAL061404FR	197	EUCN05010	344
ENUX162005PR	43	ETCR506018	295	EUAL061405FP	197	EUCN05010C	344
ENUX162006DP	43	ETCR506018	295	EUAL061405FR	197	EUCN05010F	344
ENUX162006PR	43	ETR045025	292	EUAL080140	197	EUCN05020	344
ENUX162008DP	43	ETR045050	292	EUAL081404FP	197	EUCN05020C	344
ENUX162008PR	43	ETR045075	292	EUAL081404FR	197	EUCN05020F	344
EPP01612	115	ETR045100	292	EUAL081405FP	197	EUCN10010	344
EPP01614	115	ETR045125	292	EUAL081405FR	197	EUCN10020	344
EPP01812	115	ETR045150	292	EUAL120140	197	EUCN100CC	345
EPP01814	115	ETR045175	292	EUAL121404FP	197	EUCN100CF	345
EPTT060030	115	ETR045200	292	EUAL121404FR	197	EUCN100CO	347
EPTT060040	115	ETR045310	292	EUAL121405FP	197	EUCN100ORA	347
EPTT080030	115	ETR045320	292	EUAL121405FR	197	EUCN20010	344
EPTT080040	115	ETR045330	292	EUAL160140	197	EUCN20020	344
EPTT100030	115	ETR045350	292	EUAL161404FP	197	EUCN200CC	345
EPTT100040	115	ETR045360	292	EUAL161404FR	197	EUCN200CF	345
EPTT120030	115	ETR045370	292	EUAL161405FP	197	EUCN200CO	346
EPTT120040	115	ETR045380	292	EUAL161405FR	197	EUCN200CZ	342
ERAM3-315X	246	ETR045390	292	EUCE-00180TR	145	EUCN200PA	345
ERAM4-315X	246	ETR045400	292	EUCE-180001C	223	EUCN200RA	346
ERAM4-415X	246	ETR060025	289	EUCE-180004	106	EUCN200RC	347
ERAM6-415X	246	ETR060050	289	EUCE-180004	116	EUCN200RS	346
ERCF-001X	248	ETR060075	289	EUCE-180008C	229	EUCN200RT	346
ERCF-010X	248	ETR060100	289	EUCE-180009C	229	EUCN200TLA	345
ERCG-001X	248	ETR060125	289	EUCE-181-5020B	76	EUCN200TLB	345
ERDF-001X	249	ETR060150	289	EUCE-181-7025B	76	EUCR028060	145
ERDG-001XA	249	ETR060175	289	EUCE-181-7035B	76	EUCR032060	145
ERDG-001XP	249	ETR060200	289	EUCE-181-9011B	76	EUCR037060	145
ERI-0500X	247	ETR060310	289	EUCE-182-5020B	76	EUCR041060	145
ERI-0750X	247	ETR060320	289	EUCE-182-7025B	76	EUCR046060	145
ERI-1000X	247	ETR060330	289	EUCE-182-7035B	76	EUD1-040140	78
ERJ-030503X	247	ETR060340	289	EUCE-182-9011B	76	EUD1-040160	78
ERJ-050503X	247	ETR060350	289	EUCE-183-5020B	76	EUD1-040180	78
ERJ-070703X	247	ETR060360	289	EUCE-183-7025B	76		
		ETR060370	289				

CODE	PAGE	CODE	PAGE	CODE	PAGE	CODE	PAGE
EUD1-040200	78	EUDO-060080	120	EUFIO40200	58	EULC-060050	71
EUD1-050140	78	EUDO-060080	124	EUFIO40200M	125	EULC-060060	71
EUD1-050160	78	EUDO-060080	128	EUFIO40220M	125	EULC-060080	71
EUD1-050180	78	EUDO-080010	120	EUFIO50140	58	EULC-080050	71
EUD1-050200	78	EUDO-080010	124	EUFIO50160	58	EULC-080060	71
EUD1-050220	78	EUDO-080010	128	EUFIO50180	58	EULC-080080	71
EUD1-060160	78	EUDO-080010	128	EUFIO50180M	125	EULC-100050	71
EUD1-060180	78	EUDO-080010	131	EUFIO50200	58	EULC-100060	71
EUD1-060200	78	EUDO-080015	120	EUFIO50200M	125	EULC-100080	71
EUD1-060220	78	EUDO-080015	124	EUFIO50220	58	EULC-120050	71
EUD1-080180	78	EUDO-080015	128	EUFIO50220M	125	EULC-120060	71
EUD1-080200	78	EUDO-080015	128	EUFIO60160	58	EULC-120080	71
EUD1-080220	78	EUDO-080015	131	EUFIO60180	58	EULE000600	125
EUD2-050180	78	EUDO-080025	120	EUFIO60180M	125	EULE000800	125
EUD2-050200	78	EUDO-080025	124	EUFIO60200	58	EUME000600AL	198
EUD2-060180	78	EUDO-080025	128	EUFIO60200EMC	265	EUME000800AL	198
EUD2-060200	78	EUDO-080025	128	EUFIO60200M	125	EUME001200AL	198
EUD2-080180	78	EUDO-080025	131	EUFIO60220	58	EUME001600AL	198
EUD2-080200	78	EUDO-080040	120	EUFIO60220M	125	EUMI000800	106
EUD3-050180	46	EUDO-080040	124	EUFIO80180	58	EUMI001000	106
EUD3-050200	46	EUDO-080040	128	EUFIO80180M	125	EUMI001600	106
EUD3-060180	46	EUDO-080040	128	EUFIO80200	58	EUMI001800	106
EUD3-060200	46	EUDO-080040	131	EUFIO80200EMC	265	EUMI002000	106
EUD3-080180	46	EUDO-080050	120	EUFIO80200M	125	EUMT001800	119
EUD3-080200	46	EUDO-080050	124	EUFIO80220	58	EUMT001800	135
EUD4-050180	46	EUDO-080050	128	EUFIO80220M	125	EUMT001800	136
EUD4-050200	46	EUDO-080050	128	EUFIO80220M	125	EUMT002000	119
EUD4-060180	46	EUDO-080050	131	EUFIO80220M	125	EUMT002000	135
EUD4-060200	46	EUDO-080060	120	EUFIO80220M	125	EUMT002000	136
EUD4-080180	46	EUDO-080060	124	EUFIO80220M	125	EUP0080	149
EUD4-080200	46	EUDO-080060	128	EUFIO80220M	125	EUP0081	149
EUDO-060010	124	EUDO-080070	128	EUFIO80220M	125	EUP0082	149
EUDO-060010	128	EUDO-080070	131	EUFIO80220M	125	EUP0083	149
EUDO-060010	128	EUDO-080080	120	EUFIO80220M	125	EUP0084	149
EUDO-060010	131	EUDO-080080	124	EUFIO80220M	125	EUP0085	149
EUDO-060015	120	EUDO-080080	128	EUFIO80220M	125	EUP0090	149
EUDO-060015	124	EUF0-040040	65	EUFIO80220M	125	EUP0091	149
EUDO-060015	128	EUF0-040050	65	EUFIO80220M	125	EUP0092	149
EUDO-060015	128	EUF0-040060	65	EUFIO80220M	125	EUP0093	149
EUDO-060015	131	EUF0-040080	65	EUFIO80220M	125	EUP0094	149
EUDO-060025	120	EUF0-060040	65	EUFIO80220M	125	EUP0095	149
EUDO-060025	124	EUF0-060050	65	EUFIO80220M	125	EUP0130	149
EUDO-060025	128	EUF0-060060	65	EUFIO80220M	125	EUP0131	149
EUDO-060025	128	EUF0-060080	65	EUFIO80220M	125	EUP0132	149
EUDO-060025	131	EUF0-080040	65	EUFIO80220M	125	EUP0133	149
EUDO-060040	120	EUF0-080050	65	EUFIO80220M	125	EUP0134	149
EUDO-060040	124	EUF0-080060	65	EUFIO80220M	125	EUP0135	149
EUDO-060040	128	EUF0-080080	65	EUFIO80220M	125	EUP0140	149
EUDO-060040	128	EUF0-100040	65	EUFIO80220M	125	EUP0141	149
EUDO-060040	131	EUF0-100050	65	EUFIO80220M	125	EUP0142	149
EUDO-060050	120	EUF0-100060	65	EUFIO80220M	125	EUP0143	149
EUDO-060050	124	EUF0-100080	65	EUFIO80220M	125	EUP0144	149
EUDO-060050	128	EUF0-120040	65	EUFIO80220M	125	EUP0145	149
EUDO-060050	128	EUF0-120050	65	EUFIO80220M	125	EUPA-040160	49
EUDO-060050	131	EUF0-120060	65	EUFIO80220M	125	EUPA-040180	49
EUDO-060060	120	EUF0-120080	65	EUFIO80220M	125	EUPA-040200	49
EUDO-060060	124	EUFIO40140	58	EUFIO80220M	125	EUPA-040220	49
EUDO-060060	128	EUFIO40160	58	EUFIO80220M	125	EUPA-060120PA	111
EUDO-060070	128	EUFIO40180	58	EUFIO80220M	125	EUPA-060140	49
EUDO-060070	131	EUFIO40180M	125	EUFIO80220M	125	EUPA-060140	199

CODE	PAGE	CODE	PAGE	CODE	PAGE	CODE	PAGE
EUPA-060140PA	111	EUPC180PN	136	EUI080180	57	EUPM080040M	130
EUPA-060140PA	111	EUPC180PV	135	EUI080200	57	EUPM080050	130
EUPA-060160	49	EUPC180PV	136	EUI080220	57	EUPM080060	130
EUPA-060180	49	EUPC200C	137	EUI100160	57	EUPM080070	130
EUPA-060180	217	EUPC200PC	135	EUI100180	57	EUPM080080	130
EUPA-060200	49	EUPC200PC	137	EUI100200	57	EUPN000600	198
EUPA-060200	217	EUPC200PN	135	EUI100220	57	EUPN000800	198
EUPA-060220	49	EUPC200PN	136	EUIX-060180	219	EUPN001200	198
EUPA-080120PA	111	EUPC200PV	135	EUIX-060200	219	EUPN-001400	54
EUPA-080140	49	EUPC200PV	136	EUIX-080180	219	EUPN001600	198
EUPA-080140	199	EUPD060020	120	EUIX-080200	219	EUPN-001600	54
EUPA-080140PA	111	EUPD060020M	122	EUIX-100180	219	EUPN-001800	54
EUPA-080140PA	111	EUPD060030	122	EUIX-100200	219	EUPN-002000	54
EUPA-080160	49	EUPD060040	122	EUPL-040160	51	EUPN-002200	54
EUPA-080180	49	EUPD060040M	122	EUPL-040180	51	EUP0030160	45
EUPA-080180	217	EUPD060050	122	EUPL-040200	51	EUP0030180	45
EUPA-080200	49	EUPD060060	122	EUPL-040220	51	EUP0030200	45
EUPA-080200	217	EUPD060070	122	EUPL-060140	51	EUP0030220	45
EUPA-080220	49	EUPD060080	122	EUPL-060160	51	EUP0040160	35
EUPA-100120PA	113	EUPD060090	122	EUPL-060180	51	EUP0040160SM	92
EUPA-100140PA	113	EUPD060100	122	EUPL-060180	218	EUP0040180	35
EUPA-100140PA	113	EUPD060120	122	EUPL-060200	51	EUP0040180SM	92
EUPA-100160	49	EUPD080020	122	EUPL-060200	218	EUP0040200	35
EUPA-100180	49	EUPD080020M	122	EUPL-060220	51	EUP0040220	35
EUPA-100180	217	EUPD080030	122	EUPL-080140	51	EUP0040220SM	92
EUPA-100200	49	EUPD080040	122	EUPL-080160	51	EUP0060120LSM	92
EUPA-100200	217	EUPD080040M	122	EUPL-080180	51	EUP0060140	36
EUPA-100220	49	EUPD080050	122	EUPL-080180	218	EUP0060140	197
EUPA-120080	103	EUPD080060	122	EUPL-080200	51	EUP0060140LSM	92
EUPA-120100	103	EUPD080070	122	EUPL-080200	218	EUP0060140LSM	92
EUPA-120120PA	113	EUPD080080	122	EUPL-080220	51	EUP0060140SM	92
EUPA-120140	49	EUPD080090	122	EUPL-100160	51	EUP0060160	36
EUPA-120140	199	EUPD080100	122	EUPL-100180	51	EUP0060160SM	92
EUPA-120140PA	113	EUPD080120	122	EUPL-100180	218	EUP0060160SM	92
EUPA-120140PA	113	EUPF040140	58	EUPL-100200	51	EUP0060180	36
EUPA-120160	49	EUPF040160	58	EUPL-100200	218	EUP0060180	135
EUPA-120180	49	EUPF040180	58	EUPL-100220	51	EUP0060180SM	92
EUPA-120180	217	EUPF040200	58	EUPL-120140	51	EUP0060180SM	92
EUPA-120200	49	EUPF050140	58	EUPL-120160	51	EUP0060200	36
EUPA-120200	217	EUPF050160	58	EUPL-120180	51	EUP0060200	135
EUPA-120220	49	EUPF050180	58	EUPL-120180	218	EUP0060200AV	154
EUPA-140100	103	EUPF050200	58	EUPL-120200	51	EUP0060200SM	92
EUPA-140200	49	EUPF050220	58	EUPL-120200	218	EUP0060200SM	92
EUPA-160100	103	EUPF060140	58	EUPL-120220	51	EUP0060220	36
EUPA-160140	49	EUPF060160	58	EUPL-140200	51	EUP0060220SM	92
EUPA-160140	199	EUPF060180	58	EUPL-160140	51	EUP0080120LSM	92
EUPA-160180	49	EUPF060200	58	EUPL-160200	51	EUP0080140	37
EUPA-160200	49	EUPF060220	58	EUPM060020	130	EUP0080140	197
EUPA-180100	103	EUPF080180	58	EUPM060020M	130	EUP0080140LSM	92
EUPC001CE	135	EUPF080200	58	EUPM060030	130	EUP0080140LSM	92
EUPC001CE	137	EUPF080220	58	EUPM060040	130	EUP0080140SM	92
EUPC015PN	137	EUPH060020	130	EUPM060040M	130	EUP0080160	37
EUPC061806CEC	135	EUPH080020	130	EUPM060050	130	EUP0080160SM	92
EUPC061808CEC	135	EUI060140	57	EUPM060060	130	EUP0080160SM	92
EUPC062006CEC	135	EUI060160	57	EUPM060070	130	EUP0080180	37
EUPC062008CEC	135	EUI060180	57	EUPM060080	130	EUP0080180SM	92
EUPC180C	137	EUI060200	57	EUPM080020	130	EUP0080180SM	92
EUPC180PC	135	EUI060220	57	EUPM080020M	130	EUP0080200	37
EUPC180PC	137	EUI080140	57	EUPM080030	130	EUP0080200AV	154
EUPC180PN	135	EUI080160	57	EUPM080040	130	EUP0080200SM	92

CODE	PAGE	CODE	PAGE	CODE	PAGE	CODE	PAGE
EUP0080200SM	92	EUP0120200SMI	93	EUPU-060060	123	EUPZ-040060	52
EUP0080220	37	EUP0120220	42	EUPU-060060	131	EUPZ-040070	52
EUP0080220SM	92	EUP0120220SMC	93	EUPU-060070	123	EUPZ-040080	52
EUP0100120LSMC	113	EUP0120220SMI	93	EUPU-060070	131	EUPZ-040090	52
EUP0100120LSMI	113	EUP0140100SMC	93	EUPU-060080	123	EUPZ-040100	52
EUP0100140LSMC	113	EUP0140100SMI	93	EUPU-060080	131	EUPZ-040110	52
EUP0100140LSMC	113	EUP0140200	42	EUPU-060090	123	EUPZ-040120	52
EUP0100140LSMI	113	EUP0140200SMC	93	EUPU-060100	123	EUPZ-060050	52
EUP0100140LSMI	113	EUP0140200SMI	93	EUPU-060120	123	EUPZ-060060	52
EUP0100160	38	EUP0160100SMC	93	EUPU-080020	123	EUPZ-060070	52
EUP0100160DP	38	EUP0160100SMI	93	EUPU-080020	131	EUPZ-060080	52
EUP0100160DPSMC	93	EUP0160140	43	EUPU-080030	123	EUPZ-060090	52
EUP0100160DPSMI	93	EUP0160140	197	EUPU-080030	131	EUPZ-060100	52
EUP0100160SM	93	EUP0160140SMC	93	EUPU-080040	123	EUPZ-060110	52
EUP0100160SM	93	EUP0160140SMI	93	EUPU-080040	131	EUPZ-060120	52
EUP0100180	38	EUP0160180SMC	93	EUPU-080050	123	EUPZ-080050	52
EUP0100180DP	38	EUP0160180SMI	93	EUPU-080050	131	EUPZ-080070	52
EUP0100180DPSMC	93	EUP0160200	43	EUPU-080060	123	EUPZ-080080	52
EUP0100180DPSMI	93	EUP0160200SMC	93	EUPU-080060	131	EUPZ-080090	52
EUP0100180SM	93	EUP0160200SMC	93	EUPU-080070	123	EUPZ-080100	52
EUP0100180SM	93	EUP0160200SMI	93	EUPU-080070	131	EUPZ-080110	52
EUP0100200	38	EUP0160200SMI	93	EUPU-080080	123	EUPZ-080120	52
EUP0100200DP	38	EUP0180100SMC	107	EUPU-080080	131	EUPZ-100050	52
EUP0100200DPSMC	93	EUP0180100SMI	107	EUPU-080090	123	EUPZ-100070	52
EUP0100200DPSMI	93	EUPR-060060	53	EUPU-080100	123	EUPZ-100090	52
EUP0100200SM	93	EUPR-060080	53	EUPU-080120	123	EUPZ-100100	52
EUP0100200SM	93	EUPR-060080	199	EUPV060140	36	EUPZ-100110	52
EUP0100220	38	EUPR-060120	53	EUPV060140	55	EUPZ-100120	52
EUP0100220DP	38	EUPR-080060	53	EUPV060160	36	EUPZ-120050	52
EUP0100220DPSMC	93	EUPR-080080	53	EUPV060160	55	EUPZ-120070	52
EUP0100220DPSMI	93	EUPR-080080	199	EUPV060180	36	EUPZ-120090	52
EUP0100220SM	93	EUPR-080120	53	EUPV060180	55	EUPZ-120110	52
EUP0120080SMC	93	EUPR-120080	199	EUPV060180	127	EUPZ-120120	52
EUP0120080SMI	93	EUPR-160080	199	EUPV060200	36	EURE030160	45
EUP0120100SMC	93	EUPS-040160	54	EUPV060200	55	EURE030180	45
EUP0120100SMI	93	EUPS-040180	54	EUPV060200	127	EURE030200	45
EUP0120120LSMC	93	EUPS-040200	54	EUPV060220	36	EURE030220	45
EUP0120120LSMI	93	EUPS-040220	54	EUPV060220	55	EURE040160	35
EUP0120140	42	EUPS-060140	54	EUPV080140	37	EURE040180	35
EUP0120140	197	EUPS-060160	54	EUPV080140	55	EURE040200	35
EUP0120140LSMC	93	EUPS-060180	54	EUPV080160	37	EURE040220	35
EUP0120140LSMC	93	EUPS-060200	54	EUPV080160	55	EURE060140	36
EUP0120140LSMI	93	EUPS-060220	54	EUPV080180	37	EURE060140	197
EUP0120140LSMI	93	EUPS-080140	54	EUPV080180	55	EURE060160	36
EUP0120140SMC	93	EUPS-080160	54	EUPV080180	127	EURE060180	36
EUP0120140SMI	93	EUPS-080180	54	EUPV080200	37	EURE060180	119
EUP0120160	42	EUPS-080200	54	EUPV080200	55	EURE060180	127
EUP0120160SMC	93	EUPS-080220	54	EUPV080200	127	EURE060200	36
EUP0120160SMC	93	EUPS-100160	54	EUPV080220	37	EURE060200	119
EUP0120160SMI	93	EUPS-100180	54	EUPV080220	55	EURE060200	127
EUP0120160SMI	93	EUPS-100200	54	EUPV100160	38	EURE060220	36
EUP0120180	42	EUPS-100220	54	EUPV100160	55	EURE080140	37
EUP0120180SMC	93	EUPU-060020	123	EUPV100180	38	EURE080140	197
EUP0120180SMC	93	EUPU-060020	131	EUPV100180	55	EURE080160	37
EUP0120180SMI	93	EUPU-060030	123	EUPV100200	38	EURE080180	37
EUP0120180SMI	93	EUPU-060030	131	EUPV100200	55	EURE080180	119
EUP0120200	42	EUPU-060040	123	EUPV100220	38	EURE080180	127
EUP0120200SMC	93	EUPU-060040	131	EUPV100220	55	EURE080200	37
EUP0120200SMC	93	EUPU-060050	123	EUPZ-040040	52	EURE080200	119
EUP0120200SMI	93	EUPU-060050	131	EUPZ-040050	52	EURE080200	127

CODE	PAGE	CODE	PAGE	CODE	PAGE	CODE	PAGE
EURE080220	37	EUSV-010090	123	EUTEP040080	92	EUTF080060	37
EURE100160	38	EUSV-010100	123	EUTEP060040	92	EUTF080060	119
EURE100180	38	EUSV-010120	123	EUTEP060040	92	EUTF080060	127
EURE100200	38	EUSV-015020	123	EUTEP060050	92	EUTF080080	37
EURE100220	38	EUSV-015030	123	EUTEP060050	92	EUTF080080	119
EURE120140	42	EUSV-015040	123	EUTEP060080	92	EUTF080080	127
EURE120140	197	EUSV-015050	123	EUTEP060100	92	EUTF100040	38
EURE120160	42	EUSV-015060	123	EUTEP080040	92	EUTF100050	38
EURE120180	42	EUSV-015070	123	EUTEP080050	92	EUTF100060	38
EURE120200	42	EUSV-015080	123	EUTEP080060	92	EUTF100080	38
EURE120220	42	EUSV-015090	123	EUTEP080080	92	EUTF120040	42
EURE140200	42	EUSV-015100	123	EUTEP080100	92	EUTF120040	197
EURE160140	43	EUSV-015120	123	EUTEP100040	93	EUTF120050	42
EURE160140	197	EUSV-025020	123	EUTEP100050	93	EUTF120050	197
EURE160200	43	EUSV-025030	123	EUTEP100060	93	EUTF120060	42
EURI000365	148	EUSV-025040	123	EUTEP100080	93	EUTF120080	42
EURI000465	148	EUSV-025050	123	EUTEP120040	93	EUTF140040	42
EURI000500SM	149	EUSV-025060	123	EUTEP120050	93	EUTF140050	42
EURI000565	148	EUSV-025070	123	EUTEP120060	93	EUTF140060	42
EURI000665	148	EUSV-025080	123	EUTEP120080	93	EUTF140080	42
EURI000765	148	EUSV-025090	123	EUTEP120100	93	EUTF160040	43
EURI020300	148	EUSV-025100	123	EUTEP140040	93	EUTF160040	197
EURI020400	148	EUSV-025120	123	EUTEP140050	93	EUTF160050	43
EURI020500	148	EUSV-035020	123	EUTEP140060	93	EUTF160050	197
EURI020600	148	EUSV-035030	123	EUTEP140080	93	EUTF160060	43
EURL001	81	EUSV-035040	123	EUTEP160040	93	EUTF160080	43
EURP021805	46	EUSV-035050	123	EUTEP160050	93	EUTGK040040	92
EURP022006	46	EUSV-035060	123	EUTEP160060	93	EUTGK040050	92
EURP031805	46	EUSV-035070	123	EUTF030040	45	EUTGK040060	92
EURP031806	46	EUSV-035080	123	EUTF030050	45	EUTGK040080	92
EURP031808	46	EUSV-035090	123	EUTF030060	45	EUTGK060040	92
EURP032005	46	EUSV-035100	123	EUTF030080	45	EUTGK060050	92
EURP032006	46	EUSV-035120	123	EUTF040040	35	EUTGK060060	92
EURP032008	46	EUTA0004C	144	EUTF040050	35	EUTGK060080	92
EUSA-000600	131	EUTA0004D	144	EUTF040060	35	EUTGK060100	92
EUSA-000800	131	EUTA0008C	144	EUTF040080	35	EUTGK080040	92
EUSM060180	127	EUTA0008D	144	EUTF060040	36	EUTGK080050	92
EUSM060200	127	EUTA0013C	144	EUTF060040	119	EUTGK080060	92
EUSM080180	127	EUTA0013D	144	EUTF060040	127	EUTGK080080	92
EUSM080200	127	EUTA0017C	144	EUTF060040	197	EUTGK080100	92
EUSO-000600C	123	EUTA0017D	144	EUTF060050	36	EUTGK100040	93
EUSO-000800C	123	EUTA0022C	144	EUTF060050	119	EUTGK100050	93
EUSS-060060	89	EUTA0022D	144	EUTF060050	127	EUTGK100060	93
EUSS-060080	89	EUTA0026C	144	EUTF060050	197	EUTGK100080	93
EUSS-060100	89	EUTA0026D	144	EUTF060060	36	EUTGK120040	93
EUSS-080060	89	EUTA0031C	144	EUTF060060	119	EUTGK120050	93
EUSS-080080	89	EUTA0031D	144	EUTF060060	127	EUTGK120060	93
EUSS-080100	89	EUTA0035C	144	EUTF060060	135	EUTGK120080	93
EUSS-100060	89	EUTA0035D	144	EUTF060080	36	EUTGK120100	93
EUSS-100080	89	EUTA0040C	144	EUTF060080	119	EUTGK140040	93
EUSS-100100	89	EUTA0040D	144	EUTF060080	127	EUTGK140050	93
EUST-001	89	EUTA0044C	144	EUTF060080	135	EUTGK140060	93
EUST-002	89	EUTA0044D	144	EUTF080040	37	EUTGK140080	93
EUSV-010020	123	EUTC-000500	307	EUTF080040	119	EUTGK160040	93
EUSV-010030	123	EUTC-000600	307	EUTF080040	127	EUTGK160050	93
EUSV-010040	123	EUTC-000800	307	EUTF080040	197	EUTGK160060	93
EUSV-010050	123	EUTC-001000	307	EUTF080050	37	EUTGK180040	93
EUSV-010060	123	EUTEP040040	92	EUTF080050	119	EUTO-000600	89
EUSV-010070	123	EUTEP040050	92	EUTF080050	127	EUTO-000800	89
EUSV-010080	123	EUTEP040060	92	EUTF080050	197	EUTO-001000	89

CODE	PAGE	CODE	PAGE	CODE	PAGE	CODE	PAGE
EUTP060180	79	EUZ3-080060	63	EUZE-T1000	62	EUZX-P0400MD	245
EUTP060200	79	EUZ3-080080	63	EUZE-T1000	105	EUZX-P0400P	229
EUTP080180	79	EUZ3-100040	63	EUZE-T1000	114	EUZX-P0400PD	229
EUTP080200	79	EUZ3-100050	63	EUZE-T1000	205	EUZX-P0500	221
EUTP100180	79	EUZ3-100060	63	EUZE-T1000	207	EUZX-P0500M	228
EUTP100200	79	EUZ3-100080	63	EUZE-T1000CN1	342	EUZX-P0500MD	228
EUTP120180	79	EUZ3-120040	63	EUZE-T1000CN2	342	EUZX-P0600	221
EUTP120200	79	EUZ3-120050	63	EUZE-T1000V	153	EUZX-T0400	220
EUTR0004	144	EUZ3-120060	63	EUZE-T1200	62	EUZX-T0500	220
EUTR0008	144	EUZ3-120080	63	EUZE-T1200	105	EUZX-T0600	220
EUTR0013	144	EUZE-A100	62	EUZE-T1200	114	EUZX-T0800	220
EUTR0017	144	EUZE-A100	105	EUZE-T1200	199	EUZX-T1000	220
EUTR-001KIT	145	EUZE-A100	114	EUZE-T1200	203	EUZX-T1200	220
EUTR0022	144	EUZE-A100	199	EUZE-T1200	205	EVIS060804DA	259
EUTR0026	144	EUZE-A100	203	EUZE-T1200	207	EVIS060804SA	257
EUTR-002KIT	145	EUZE-A100	205	EUZE-T1200CN1	342	EVIS061204DA	259
EUTR0031	144	EUZE-A100	207	EUZE-T1200CN2	342	EVIS061204SA	257
EUTR0035	144	EUZE-A200	62	EUZE-T1400	62	EVIS061205DA	259
EUTR-003KIT	145	EUZE-A200	105	EUZE-T1400	105	EVIS061205SA	257
EUTR0040	144	EUZE-A200	114	EUZE-T1400CN1	342	EVIS061404DA	259
EUTR0044	144	EUZE-A200	199	EUZE-T1400CN2	342	EVIS061404SA	257
EUTS000600	144	EUZE-A200	203	EUZE-T1600	62	EVIS080804DA	259
EUTS000800	144	EUZE-A200	205	EUZE-T1600	105	EVIS080804SA	257
EUTT060050	65	EUZE-A200	207	EUZE-T1600	199	EVIS081204DA	259
EUTT060060	65	EUZE-FA001	343	EUZE-T1600	203	EVIS081204SA	257
EUTT060080	65	EUZE-FB001	343	EUZE-T1600CN1	342	EVIS081205DA	259
EUTT080050	65	EUZE-FC001	343	EUZE-T1600CN2	342	EVIS081205SA	257
EUTT080060	65	EUZE-T0300	62	EUZE-T1800	105	EVIS081404DA	259
EUTT080080	65	EUZE-T0300S	114	EUZU	64	EVIS081404SA	257
EUTT120050	65	EUZE-T0400	62	EUZV	64	EVIS120804DA	259
EUTT120060	65	EUZE-T0400B	205	EUZX-A100	220	EVIS120804SA	257
EUTT120080	65	EUZE-T0400C	114	EUZX-A200	220	EVIS121204DA	259
EUTT160050	65	EUZE-T0400C	203	EUZX-L0600	221	EVIS121204SA	257
EUVC040050	71	EUZE-T0400C	207	EUZX-L0600M	228	EVIS121205DA	259
EUVC040060	71	EUZE-T0400M	105	EUZX-L0600M	229	EVIS121205SA	257
EUVC040080	71	EUZE-T0400T	199	EUZX-L0600M	237	EVIS121404DA	259
EUVC060050	71	EUZE-T0500	62	EUZX-L0600M	245	EVIS121404SA	257
EUVC060060	71	EUZE-T0500B	203	EUZX-L0800	221	EVPA-060080	260
EUVC060080	71	EUZE-T0500M	105	EUZX-L0800M	228	EVPA-060120	260
EUVC080050	71	EUZE-T0500T	199	EUZX-L0800M	229	EVPA-060140	260
EUVC080060	71	EUZE-T0600	62	EUZX-L0800M	237	EVPA-080080	260
EUVC080080	71	EUZE-T0600	105	EUZX-L0800M	245	EVPA-080120	260
EUVC100050	71	EUZE-T0600	114	EUZX-L1000	221	EVPA-080140	260
EUVC100060	71	EUZE-T0600	199	EUZX-L1000M	228	EVPA-120080	260
EUVC100080	71	EUZE-T0600	203	EUZX-L1000M	229	EVPA-120120	260
EUVC120050	71	EUZE-T0600	205	EUZX-L1000M	237	EVPA-120140	260
EUVC120060	71	EUZE-T0600	207	EUZX-L1000M	245	EVZE-T0400A	261
EUVC120080	71	EUZE-T0600CN1	342	EUZX-L1200	221	EVZE-T0500A	261
EUWA-001	150	EUZE-T0600CN2	342	EUZX-L1200M	228	EVZE-T0600A	261
EUWA-002	150	EUZE-T0600V	153	EUZX-L1200M	229	EVZE-T0800A	261
EUZ3-040040	63	EUZE-T0800	62	EUZX-L1200M	245	EVZE-T1200A	261
EUZ3-040050	63	EUZE-T0800	105	EUZX-L1600M	245	KIT IP>55	68
EUZ3-040060	63	EUZE-T0800	114	EUZX-P0300P	229	KIT NEMA 4/4X	68
EUZ3-040080	63	EUZE-T0800	199	EUZX-P0300P	237	LE123	201
EUZ3-060040	63	EUZE-T0800	203	EUZX-P0300PD	229	LE1235	201
EUZ3-060050	63	EUZE-T0800	205	EUZX-P0300PD	237	LE164	201
EUZ3-060060	63	EUZE-T0800	207	EUZX-P0400	221	LE1645	201
EUZ3-060080	63	EUZE-T0800CN1	342	EUZX-P0400M	228	LE601	201
EUZ3-080040	63	EUZE-T0800CN2	342	EUZX-P0400M	245	LE802	201
EUZ3-080050	63	EUZE-T0800V	153	EUZX-P0400MD	228	LE8025	201

CODE	PAGE	CODE	PAGE	CODE	PAGE	CODE	PAGE
LEX1-23	243	SDP2412	190	SDWC-010	191	TL802	209
LEX1-64	243	SDP2512	190	SDWCX-010	229	TL8025	209
LEX6-01	243	SDP3312	190	SDWCX-010	237	TLX1-23	244
LEX8-02	243	SDP3412	190	SHPA-16	239	TLX1-64	244
MDCO-TR250	152	SDPA-11	191	SHPA-22	239	TLX6-01	244
MDSO-CU6X6	152	SDPA-11	238	SHPA-28	239	TLX8-02	244
MDWA-025	130	SDPA-22	191	SHWCX-010	239	WA050	81
ME123	202	SDPA-22	238	SHX1-109C	239	WA061X	237
ME1235	202	SDPA-31	191	SHX1-109F	239	WA108	154
ME164	202	SDPA-32	191	SHX1-169C	239	WA115LB	150
ME1645	202	SDPA-32	238	SHX1-169F	239	WA116LB	150
ME601	202	SDPA-33	191	SHX1-229C	239	WA117LB	150
ME802	202	SDPA-33	238	SHX1-229F	239	WA118LB	150
ME8025	202	SDPA-42	191	SHX1-289C	239	WA119LB	150
MEX1-23	244	SDPA-42	238	SHX1-289F	239	WA120LB	150
MEX1-64	244	SDPA-43	191	SPA001	209	WA121LB	150
MEX6-01	244	SDPA-44	191	SPA201	209	WA122LB	150
MEX8-02	244	SDPA-52	191	SPA601	209	WA123LB	150
PA4-AE235	208	SDPA-53	191	SPA801	209	WA124LB	150
PA4-AE645	208	SDPA-62	191	ST2315EE	233	WA125LB	150
PA4-AE825	208	SDPA-63	191	ST3315EE	233	WA126LB	150
PA4-LE015	208	SDPA-64	191	ST3415EE	233	WA250B	333
PA4-LE025	208	SDPA-82	191	ST3420EE	233	WA250VB	333
PA4-LE235	208	SDPA-84	191	ST3515EE	233	WA255B	333
PA4-LE645	208	SDV1108	186	ST3520EE	233	WA385	84
PE123	201	SDV1112	186	ST4315EE	233	WA-400	209
PE1235	201	SDV2208	186	ST4320EE	233	WA-410	209
PE164	201	SDV2212	186	ST4420EE	233	WA-430	209
PE1645	201	SDV3112	186	ST4515EE	233	WA-440	209
PE601	201	SDV3208	186	ST4520EE	233	WA-450	209
PE802	201	SDV3212	186	ST4525EE	233	WA990B	151
PE8025	201	SDV3312	186	ST4620EE	233	WE001X	236
PECF1235	208	SDV4208	186	ST4625EE	233	WE002X	236
PECF1645	208	SDV4212	186	ST4640EE	233	WE010	179
PECF8025	208	SDV4312	186	ST5520EE	233	WE010	210
PEX1-23	243	SDV4412	186	ST5720EE	233	WE021	210
PEX1-64	243	SDV5208	186	ST5725EE	233	WE030	210
PEX6-01	243	SDV5212	186	ST61025EE	233	WE040	179
PEX8-02	243	SDV5312	186	ST61030EE	233	WE040	210
SBA001	204	SDV6208	186	ST61040EE	233	WE050	210
SBA201	204	SDV6212	186	ST61230EE	233	WE060	210
SBA601	204	SDV6312	186	ST6420EE	233	WE070	210
SBA801	204	SDV6412	186	ST6430EE	233	WE080	210
SDF3212	187	SDV8208	186	ST6620EE	233	WE160	210
SDF3312	187	SDV8212	186	ST6630EE	233	WE170	210
SDF4212	187	SDV8412	186	ST6640EE	233	WE180	210
SDF4312	187	SDVE3312	266	ST6820EE	233	WE190	210
SDF4412	187	SDVE5312	266	ST6825EE	233	WE200	210
SDF5212	187	SDVX4212	188	ST6830EE	233	WE209	210
SDF5312	187	SDVX5312B	189	ST6840EE	233	WE210	210
SDF6212	187	SDVX6212	188	ST81030EE	233	WE240	179
SDF6312	187	SDWA-005	191	ST81040EE	233	WE251	210
SDF6412	187	SDWA-013	191	ST81230EE	233	WE255	210
SDF8212	187	SDWA-015	191	ST8830EE	233	WE260	179
SDF8412	187	SDWA-020	191	ST8840EE	233	WE265	179
SDP2208	190	SDWA-025	191	TL123	209	WE265	210
SDP2212	190	SDWA-030	191	TL1235	209	WE268	210
SDP2308	190	SDWA-035	191	TL164	209	WE270	179
SDP2312	190	SDWA-040	191	TL1645	209	WE270	210
SDP2408	190	SDWC-010	115	TL601	209	WE273	210

CODE	PAGE	CODE	PAGE	CODE	PAGE	CODE	PAGE
WE275	179	WICD4040CW	306	WIDS-2040CW	316	WP17105X2	267
WE275	210	WICD4040CW	314	WIDS-3040CW	316	WP17105X4	267
WE278	210	WICD4123CW	306	WIEM-006	332	WP20150EC	268
WE350Z	78	WICD4123CW	314	WIEM-006V	332	WP20150EL	268
WE351Z	78	WICD5823CW	306	WIEM-011	332	WP20150X2	267
WE352	78	WICD5823CW	308	WIEM-011V	332	WP20150X4	267
WI100	85	WICD9023CW	306	WIEM-016	332	WP25205EC	268
WI100	106	WICD9023CW	309	WIEM-016V	332	WP25205EL	268
WI100ECOR	236	WICDU1611CW	306	WIEM-031	332	WP25205X2	267
WI100M	106	WICDU1611CW	311	WIEM-036	332	WP25205X4	267
WI105	85	WICDU1623CW	306	WIEM-041	332	WP32255EC	268
WI107	85	WICDU1623CW	311	WIPX-44	82	WP32255EL	268
WI250	336	WICDU2211CW	306	WIPX-54	82	WP32255X2	267
WI255	336	WICDU2211CW	312	WIPX-55	82	WP32255X4	267
WI260	336	WICDU2223CW	306	WIPX-66	82	WP40330EC	268
WI265	336	WICDU2223CW	312	WIRV-010	337	WP40330EL	268
WI270	336	WICDU3123CW	306	WIRV-010V	337	WP40330X2	267
WI271	336	WICDU3123CW	313	WIRV-020	337	WP40330X4	267
WI273	336	WICDU3811CW	306	WIRV-020V	337	WP50420EC	268
WI274	336	WICDU3811CW	307	WISC1623CW	326	WP50420EL	268
WI277	337	WICDU4123CW	306	WISC3523CW	326	WP50420X2	267
WI279	337	WICDU4123CW	314	WISC5023CW	326	WP50420X4	267
WI280	338	WICDU5811CW	306	WISC8023CW	326	WP63520EC	268
WI282	339	WICDU5811CW	308	WISC8523CW	326	WP63520EL	268
WI284	339	WICDU5823CW	306	WISCU1611CW	326	WP63520X2	267
WI286	340	WICDU5823CW	308	WISCU3511CW	326	WP63520X4	267
WI290	338	WICDU9011CW	306	WISCU3523CW	326	WPZ-SB001	204
WI7035	84	WICDU9011CW	309	WISCU5011CW	326	WPZ-SB201	204
WICA1623CW	322	WICDU9023CW	306	WISCU5023CW	326	WPZ-SB601	204
WICA1623CW	323	WICDU9023CW	309	WISCU8011CW	326	WPZ-SB801	204
WICA1623CW	324	WICE10040CW	315	WISCU8023CW	326	WPZ-ZB001	206
WICA2223CW	322	WICE5840CW	315	WISW1250230CW	327	WPZ-ZB201	206
WICA2223CW	323	WICE8040CW	315	WISW1250400CW	327	WPZ-ZB601	206
WICA2223CW	324	WICT1423CW	320	WISW1750230CW	327	WPZ-ZB801	206
WICA4040CW	322	WICT1423CW	321	WISW1750400CW	327	WT200CW	334
WICA4040CW	323	WICT1440CW	320	WISW220115CW	327	WT200VCW	334
WICA4040CW	325	WICT1440CW	321	WISW220115CWH	327	WT205CW	334
WICA4123CW	322	WICT2023CW	320	WISW220230CW	327	WT205VCW	334
WICA4123CW	323	WICT2023CW	321	WISW220230CWH	327	WT210CW	334
WICA4123CW	325	WICT2040CW	320	WISW2500230CW	327	WT215CW	334
WICA9023CW	322	WICT2040CW	321	WISW310115CW	327	WT220CW	334
WICA9023CW	323	WICT2723CW	320	WISW310230CW	327	WT225CW	334
WICD1123CW	306	WICT2740CW	320	WISW670230CW	327	WT230CW	334
WICD1123CW	310	WICT3311CW	320	WISW87115CW	327	WTBP-001	81
WICD1140CW	306	WICT3323CW	320	WISW87230CW	327	WTBPA-060	77
WICD1140CW	310	WICT3823CW	320	WITA190CW	334	WTBPA-080	77
WICD1540CW	306	WICT3840CW	320	WITA250CW	334	WTBPA-120	77
WICD1540CW	311	WICT5240CW	320	WITV1423CW	334	WTBPA-140	77
WICD1623CW	306	WICT6023CW	320	WITV1922CW	334	WTBPA-160	77
WICD1623CW	311	WICT6040CW	320	WITV1923CW	334	WTBPB-001	81
WICD2140CW	306	WICT9023CW	320	WITV2311CW	334	WTBPB-002	81
WICD2140CW	312	WICTU1011CW	320	WITV8611CW	334	WTBPC-001	81
WICD2223CW	306	WICTU1023CW	320	WITV8623CW	334	WTBPK-001	81
WICD2223CW	312	WICTU1423CW	320	WLDI-001	154	WTBPS-001	81
WICD3040CW	306	WICTU1423CW	321	WP12050EC	268	WTBPU-001	81
WICD3040CW	313	WICTU3823CW	320	WP12050EL	268	WTCA-001	87
WICD3123CW	306	WICTU5011CW	320	WP12065EC	268	WTCI060100	122
WICD3123CW	313	WICTU5023CW	320	WP12065EL	268	WTCI080100	122
WICD3823CW	306	WIDS-1023CW	316	WP17105EC	268	WTCV10H	222
WICD3823CW	307	WIDS-1423CW	316	WP17105EL	268	WTCV10X	222

CODE	PAGE	CODE	PAGE	CODE	PAGE	CODE	PAGE
WTCV15H	222	WTPR-025050R	75	WTPR-1000R	75	WTSV3000203	329
WTCV15X	222	WTPR-025060R	75	WTPU000600	138	WTSV3000220	329
WTCV20H	222	WTPR-025080R	75	WTPX-001	70	WTSV3001203	329
WTCV20X	222	WTPR-025100R	75	WTPX-005X	223	WTSV3001220	329
WTCV25H	222	WTPR-033010	124	WTRE000600	81	WTSV3002203	329
WTCV25X	222	WTPR-033010	129	WTRP060050	138	WTSV3002220	329
WTCV30H	222	WTPR-033010	131	WTRP060060	138	WTSV3002262	329
WTCV30X	222	WTPR-033015	124	WTRP060080	138	WTF-000400	84
WTDA-001	84	WTPR-033015	129	WTRS000600	138	WTF-000600	84
WTDA-002	84	WTPR-033015	131	WTRU-001	70	WTF-000800	84
WTDV010500	152	WTPR-033025	124	WTRU-001	138	WTF-001000	84
WTFP-001	56	WTPR-033025	129	WTSC-001	54	WTF-001200	84
WTFP-001X	223	WTPR-033025	131	WTSF-001	74	WTF-001400	84
WTFP-002	56	WTPR-033040	124	WTSF-001CP	128	WTF-001600	84
WTFP-006	106	WTPR-033040	129	WTSF-001CP	129	WTTG-040050	83
WTFP-007	106	WTPR-033040	131	WTSF-001CP	138	WTTG-040100	83
WTFP-008	262	WTPR-033050	124	WTSF-001CP	199	WTTG-040160	83
WTFP-010	56	WTPR-033050	129	WTSG10	329	WTTG-060050	83
WTFP-011	56	WTPR-033050	131	WTSG15	329	WTTG-060100	83
WTFSG10	329	WTPR-033060	124	WTSG20	329	WTTG-060160	83
WTFSG15	329	WTPR-033060	129	WTSG25	329	WTTG-080050	83
WTFSG20	329	WTPR-033060	131	WTSG30	329	WTTG-080100	83
WTFSG25	329	WTPR-033080	124	WTSL-002	87	WTTG-080160	83
WTFSG30	329	WTPR-033080	129	WTSM-016	83	WTTG-100050	83
WTGC-042042	153	WTPR-050022R	116	WTSM-032	83	WTTG-100100	83
WTGC-042080	153	WTPR-050032R	116	WTSM-052	83	WTTG-100160	83
WTGC-068096	153	WTPR-050040	74	WTSM-082	83	WTTG-120050	83
WTGC-096160	153	WTPR-050040CP	138	WTSPO20200	151	WTTG-120100	83
WTGE-000365	148	WTPR-050040CP	199	WTSQ-001	83	WTTG-120160	83
WTGE-000465	148	WTPR-050040R	75	WTSQ-005	83	WTTG-140050	83
WTGE-000565	148	WTPR-050050	74	WTSS-001	76	WTTG-140100	83
WTGE-000665	148	WTPR-050050CP	138	WTSS-001	124	WTTG-140160	83
WTGE-000765	148	WTPR-050050CP	199	WTSS-001	223	WTTG-160050	83
WTGS-001	76	WTPR-050050R	75	WTST-000400	84	WTTG-160100	83
WTGS-001X	223	WTPR-050060	74	WTST-000600	84	WTTG-160160	83
WTGS-003	106	WTPR-050060CP	138	WTST-000800	84	WTO-000400	82
WTGS-003	115	WTPR-050060R	75	WTST-001000	84	WTO-000600	82
WTGS-003	229	WTPR-050080	74	WTST-001200	84	WTO-000700	82
WTGS-004	262	WTPR-050080CP	138	WTST-001400	84	WTO-000800	82
WTKA-001	53	WTPR-050080R	75	WTST-001600	84	WTO-001000	82
WTKB-002	48	WTPR-050100	74	WTSU-001	83	WTS000500	81
WTKB-002	53	WTPR-050100R	75	WTSV100	328	WTS000600	81
WTKC-001	52	WTPR-050120	74	WTSV1000203	329	WTS-000600X	223
WTLA-030	87	WTPR-050120P	116	WTSV1000211	329	WTS000700	81
WTLA-035	87	WTPR-050140	74	WTSV1000220	329	WTS000800	81
WTLA-080	86	WTPR-050140P	116	WTSV150	328	WTS-000800X	223
WTLA-085	86	WTPR-050160	74	WTSV1500203	329	WTS001000	81
WTLA-090	86	WTPR-050180	74	WTSV1500211	329	WTS-001000X	223
WTLA-095	86	WTPR-050180CP	128	WTSV1500220	329	WTVD-001	85
WTLA-100	86	WTPR-050180CP	129	WTSV200	328	ZBA001	206
WTLA-105	86	WTPR-050200	74	WTSV2000203	329	ZBA201	206
WTFP030024	150	WTPR-050200CP	128	WTSV2000211	329	ZBA601	206
WTPM-001	87	WTPR-050200CP	129	WTSV2000220	329	ZBA801	206
WTPM-002	87	WTPR-050220	74	WTSV250	328	ZBX0-01	241
WTPP-001400	57	WTPR-0600R	75	WTSV2500203	329	ZBX2-01	241
WTPP-001600	57	WTPR-075040RS	52	WTSV2500211	329	ZBX6-01	241
WTPP-001800	57	WTPR-075050RS	52	WTSV2500220	329	ZBX8-01	241
WTPP-002000	57	WTPR-075060RS	52	WTSV2501203	329		
WTPP-002200	57	WTPR-075080RS	52	WTSV2501220	329		
WTPR-025040R	75	WTPR-0800R	75	WTSV300	328		



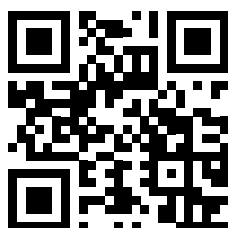
innovative
enclosure solutions
for industrial & electronic
applications

E.T.A. S.P.A.
22035 Canzo - Como (Italy)
Via Monte Barzaghino, 6
t. +39 031.673.611
info@eta.it
www.eta.it

E.T.A. ENCLOSURES (UK) LIMITED
Unit 2, Ignite, Magna Way
Rotherham, South Yorkshire, S60 1FD (UK)
t. +44 01709 386630 f. +44 01709 369524
info@eta-enclosures.co.uk
www.eta-enclosures.co.uk

SASU E.T.A. France
Rue du Pré aux Boeufs
76806 St.Etienne du Rouvray (France)
t. +33 02 35643470 f. +33 02 35642275
info@etafrance.fr
www.eta.it

ETA ENCLOSURES SP. z o.o.
Sikorskiego 44
62-300 Września (Poland)
t. +48 660 515 887
biuro@eta-enclosures.it
www.eta.it



E.T.A. SPB
Ligovsky prospect 266,
building 1, premise 2.1-H50
working place 18
192007 Saint Petersburg (Russia)
www.eta.it

Dimensions indicated may be changed by ETA
in order to improve product manufacturing.

All sales are regulated by the
"General terms and conditions of sales of ETA", available on-line
<http://www.eta.it/en/servizi/download/condizioni-di-vendita/>

Designed by
Zappa Associati
Printed by
Tecnografica

© E.T.A. S.P.A. March 2022



E.T.A. chooses sustainable paper.

